

weatherables®

Arlington Aluminum Stair Railing

Installation Guide

THE BEST CHOICE FOR STRONG & DURABLE RAILING SYSTEMS

Our exclusive manufacturing process ensures our aluminum railing will provide superior strength plus it is virtually maintenance free. This guide will help make your installation easy. For questions, please call 1-855-224-9761 and welcome to Weatherables®.

Please note:

It is the responsibility of the installer to conform to local building codes and safety requirements. It is also the installer's responsibility to obtain all necessary building permits. The purchaser and installer should review the intended use of the products with a licensed professional engineer to determine code compliance. Weatherables® or its distributors shall not be held liable for improper or unsafe installations.

These instructions are guidelines and do not cover every installation scenario. Review all instructions before starting railing installation. The installer may need to modify the exact installation method to meet unique site requirements.

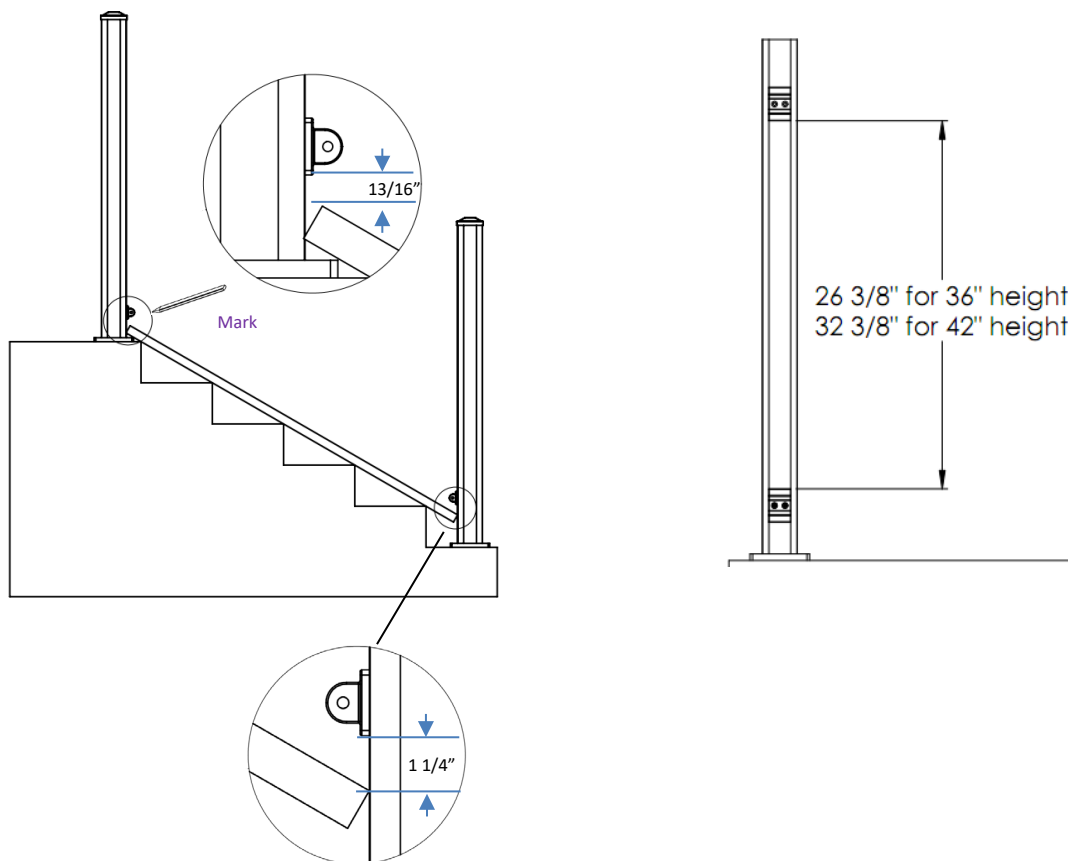
Tools:

- Hacksaw or metal cutting saw
- Drill
- Drill bits 5/32"
- Screwdriver
- Measuring tape
- Level

Step 1: Locate and install stair rail post & stair bracket base.

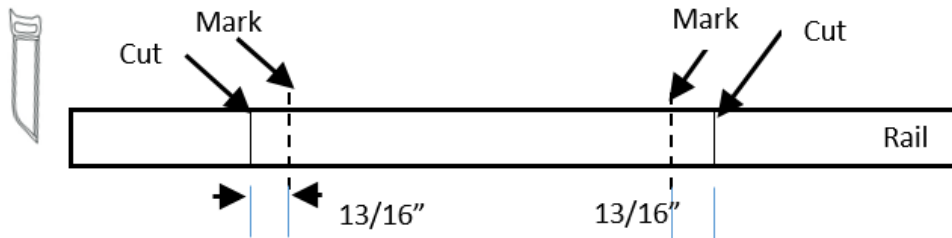
1. Measure and locate all posts.
2. Measure and mark distance of $13/16$ in. from board to bracket. The end edge of top stair post bracket should coincide with the mark line. Secure bracket to the post by using 2- 10#-1 in. Screws.
3. Use a 1" thick wood plate to position bottom stair bracket base. Measure and mark distance of $1-1/4$ in. from board to bracket. The end edge of bottom stair post bracket coincides with the mark line. Secure the bracket to the base of the post using 2 #10-1" screws.
4. Position the top stair bracket base according to the bottom stair bracket base. Secure bracket base with post using 2 #10-1" screws.

Note: The brackets should be spaced $26\ 3/8$ " apart for 36" tall railing and $32\ 3/8$ " apart for 42" tall railing.

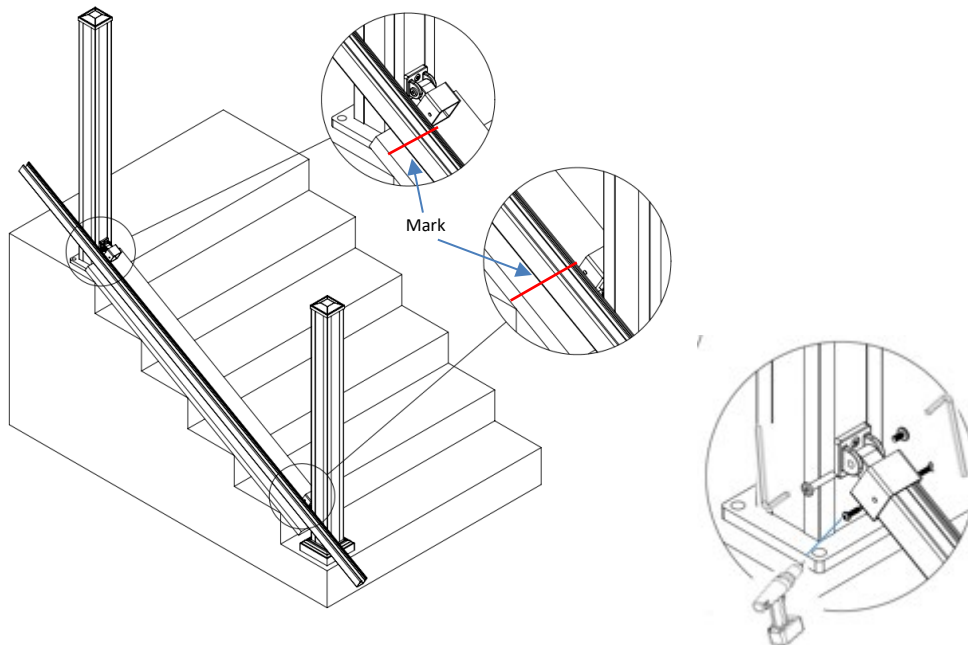


Step 2: Cut and install top and bottom rail.

1. Cut the bottom and top rail to fit between posts if necessary.
2. Add 13/16" from the mark when cutting rails.

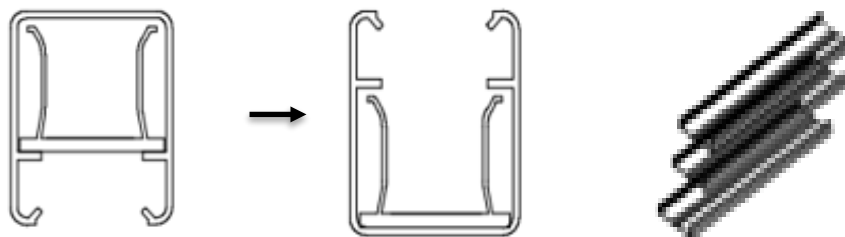


3. After cutting the top and bottom rail, insert the bottom rail into the bottom bracket.

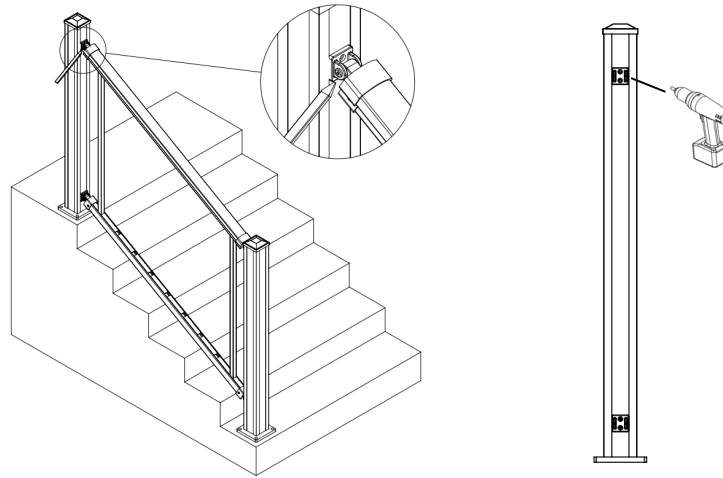


IMPORTANT:

When installing the bottom rail, remove the vinyl insert from package and install it as show below. Additional spacers may be needed.



- Put 2 pickets into each end of the bottom rail. Then place the top rail into the brackets. Mark end position of top rail bracket. Secure 2 top rail brackets to post by using 2- 10#1 in. screws. Secure rail with bracket by using 2- 8#3/4 in. screws.

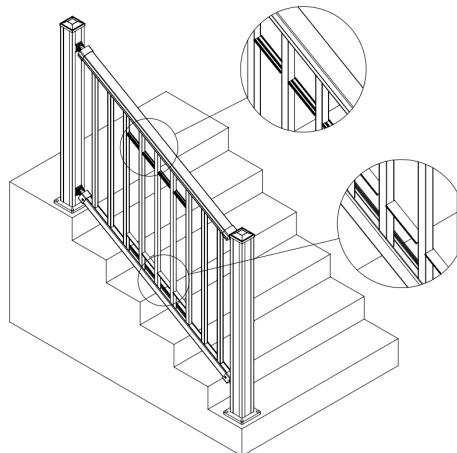


Step 3: Install pickets and spacers.

- Snap the spacer into place and insert pickets into top and bottom rail one by one as shown below.

IMPORTANT: DO NOT snap in last 4 spacers into place before installing the last 4 pickets. Insert the last 4 pickets as a group and adjust the distance between the pickets THEN snapping the last 4 spacers into place.

Note: The size of spacer for each rail end is different. (A special round label will be used to identify the end spacer.) Cut the spacers to fit the rails if necessary. To ensure equal picket spacing at each post, cut first and last spacers to equal lengths.



Step 4: Install the post cap and post trim.

1. Install the post cap and post trim after all other components have been installed.

The post cap comes pre-assembled on the post. Use a plastic hammer or similar tool to tighten it if needed.

To install the post trim, place a drop of glue into each of the holes on the post trim (do not overflow). Fasten the post trim and press it tight about 6 seconds.

