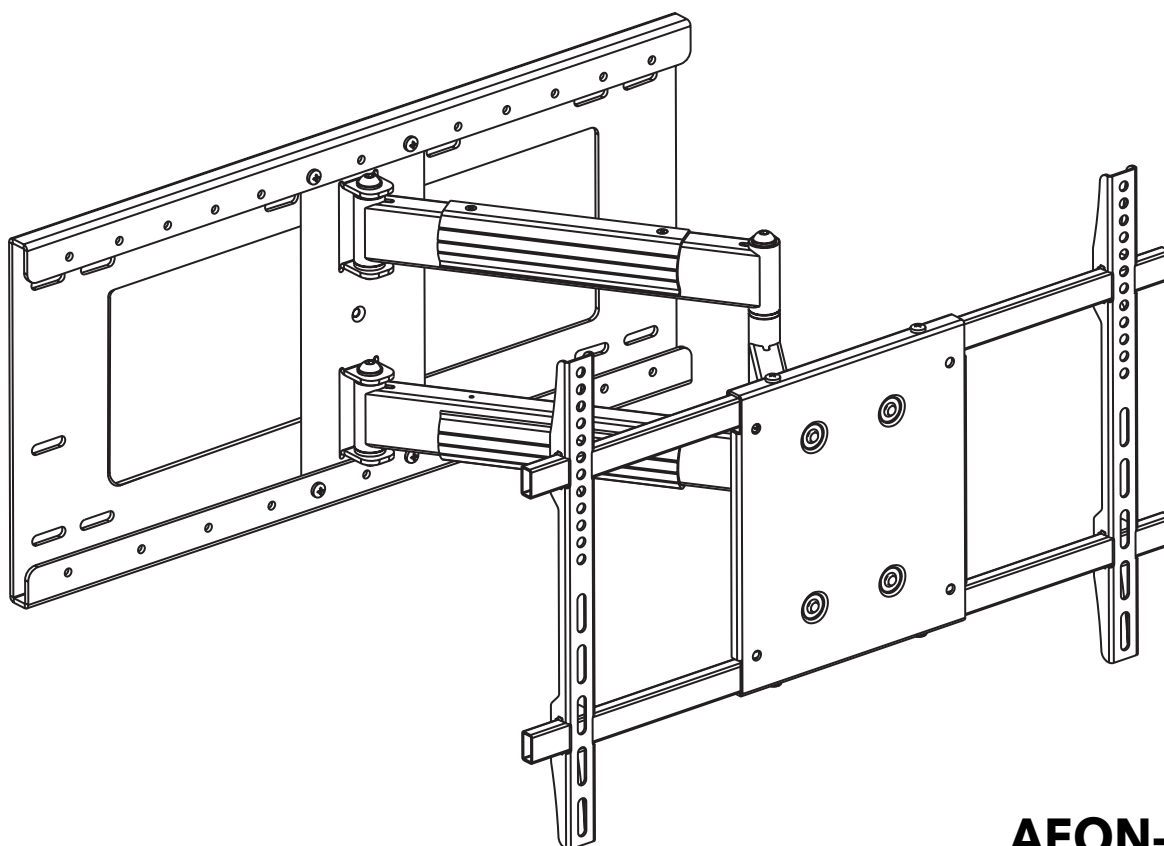


# AEON-40200

# AEON-40300

## Full Motion TV Wall Mount with Long Extending Arm



**AEON-40200**  
(16" OC Studs)

**AEON-40300**  
(24" OC Studs)

### Features :

- Designed for 32"-60" Flat panels
- VESA Compliant: Up to 600\*400mm
- Maximum weight capacity up to 125 lbs
- Lift and lock for easy installation
- U-cap system for clean and simple cable management
- +15°/-5° of easy tilt
- Three pivot points with up to 180° swivel
- Horizontal movement feature allows for lateral shift

## Installation Instructions

**AEON**  
Stands & Mounts



# WARNING

## PLEASE NOTE: IMPROPER INSTALLATION WILL VOID WARRANTY.

Please do not begin installation until you have thoroughly read and understood these instructions. Improper installation may cause serious injury and/or damage. It is recommended that a qualified contractor install the AEON-40200 / AEON-40300 Universal Cantilever Mount.

Make sure that the wall you plan to use will safely support four times the combined weight of the mounted equipment, including its accessories. Warranty will be void if TV Mount is not installed to wood studs or masonry.

The AEON-40200/ AEON-40300 Full Motion Mount supports LCD, LED and Plasma Flat Panel Displays from 32" to 60" and supports a maximum load of (125 lbs).

This products suits displays with mounting hole patterns from 200x200mm (8"x8") to 600x400mm (24"x16").

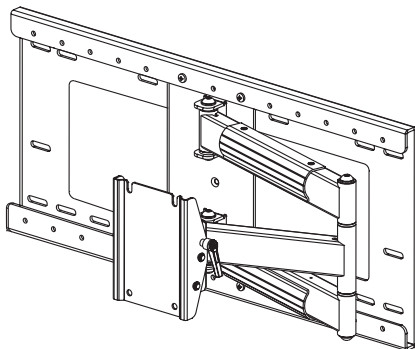
A second person will be required to assist with several steps.

The manufacturer does not accept responsibility for incorrect installation.

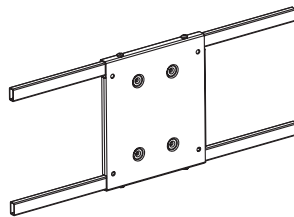
## Tools Needed for Assembly

- Stud finder ("edge to edge" stud finder is recommended)
- Phillips screwdriver
- Pencil
- Hammer Drill(Concrete installation only), otherwise a standard drill
- 1/4" drill bit for wood studs, 1/2" drill bit for concrete
- 1/2" socket wrench or bit driver for wood screws
- Level
- Tape measure

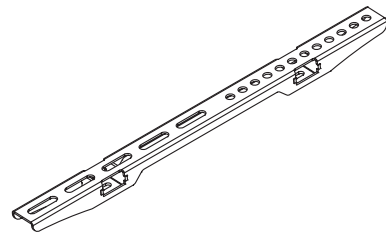
## Component Checklist



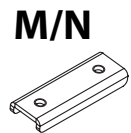
Mount Arm Assy(x1)



Adaptor Plate Body(x1)



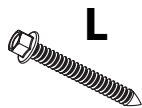
Adaptor Brackets(x2)



Slider Plate(x4)

M/N

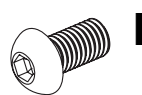
## Bits Bag



Lag Bolt  
8\*70mm(x4)



Metal washer Ø6 (x8)



Socket pan head screw  
M8\*12mm (x4)



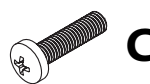
Metal washer Ø8 (x8)



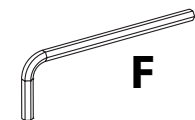
Anchor(x4)



Spacer (x4)

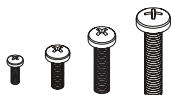


Philips head screw  
M6\*15mm (x4)



5mm Allen Key (x1)

## TV Mounting Screws (Cross Recess)



M5x16mm	(x4 each)-A
M6x16mm	(x4 each)-B
M8x35mm	(x4 each)-E
M8x9mm	(x4 each)-D

## Step 1 Assemble the Adaptor Plate

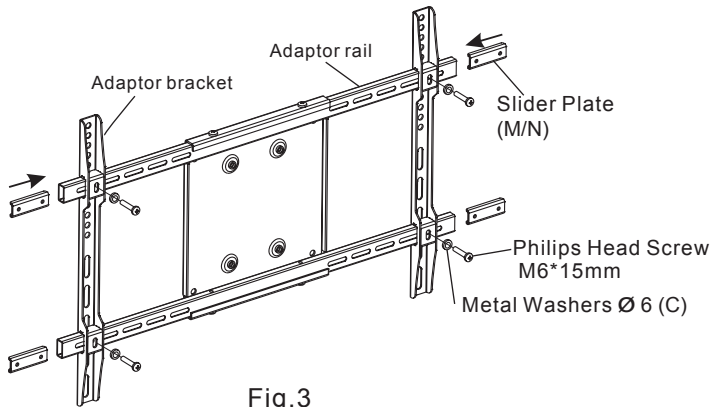


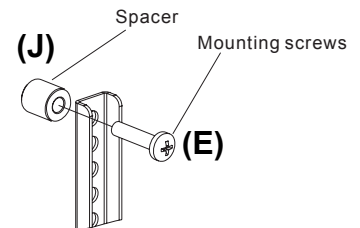
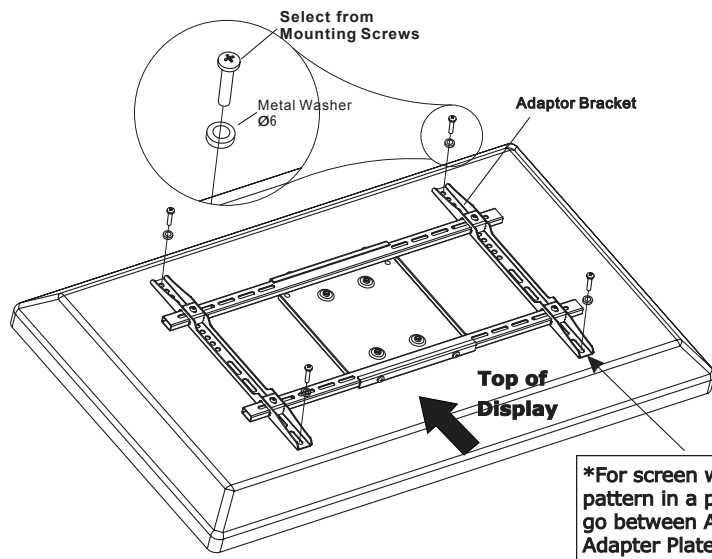
Fig. 3

Insert Slider plate (M/Nx4) into adaptor rails, then insert the adaptor bracket into adaptor rail, fix adaptor bracket and slider plate with four philips head screw M6\*15mm ( C ) and four metal washers Ø6 ( G ) using Philips headcrew driver as shown Fig. 3.

Fixed the adaptor bracket onto the display with the selected mounting screws, square washers, and any required spacers.

Now slide the opposite mounting rail into position, align it with the mounting holes, and secure with the mounting hardware.

**NOTE:**  
**Recessed Mounting Holes.** If the mounting holes are recessed into the back of the display, use the supplied spacers to pack the recessed hole. Ensure that the hook brackets are securely fixed to the display.



## Step 2 Attaching the Display to the Mount

BY HAND, insert two socket pan head screw M8\*12mm ( I ) and metal washer Ø8mm ( H ) into threaded holes on the adaptor panel as shown Fig.4. Leave approximately 3/8" of exposed thread.

With the help of an assistant, carefully lift the display and attach it to the mount head. Tighten the screws as shown in Fig. 5.

**NOTE:**  
For those with a 200x200(mm) VESA pattern the adaptor plate will not be used, instead please affix your TV to the mount directly.

200x200mm

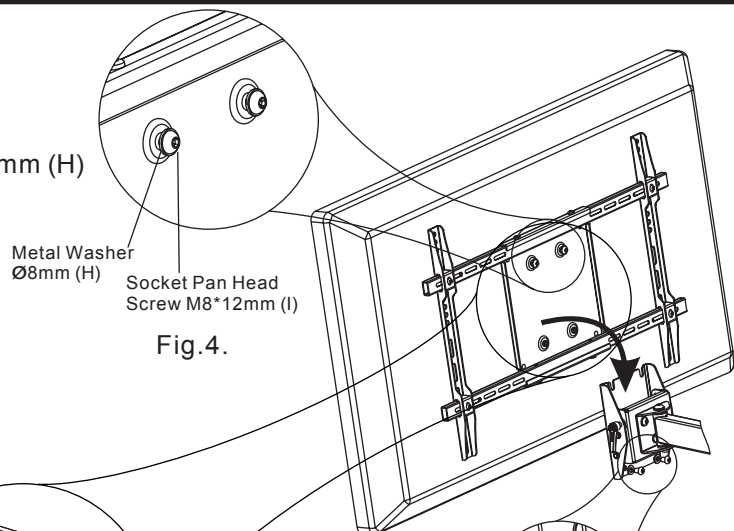


Fig.4.

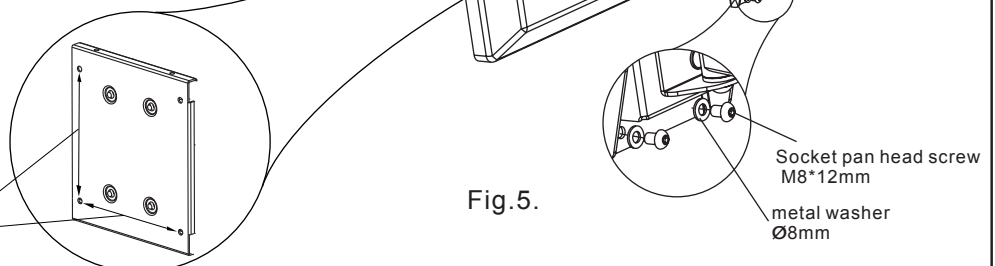


Fig.5.



## Step 4 Using Cable Management

The AEON-40200 / AEON-40300 includes a cable management system where cable can be routed along the length of the arm assembly. Route the cable along the entrance of the cable management slot.(Fig.6)

**NOTE:** For optimal performance, route the AC power cable separately from the signal cables.

With all cables in place, pull the display in and out to be certain that the arm assembly moves freely, without stretching or damaging the cables.

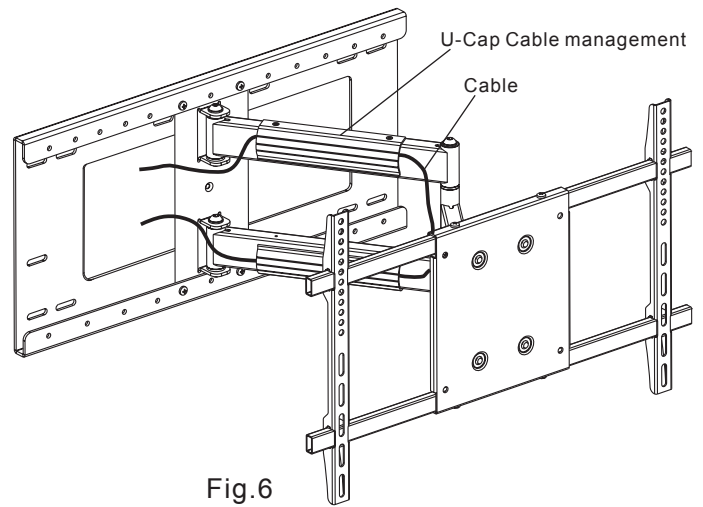


Fig.6

## Step 5 Adjusting the Display

The AEON-40200 / AEON-40300 provides a wide range of adjustment possibilities to suit your application. **Roll Control** - Horizontal leveling of the flat panel display. Grasp the edge of the display and roll it up or down into a level position (Fig.7).

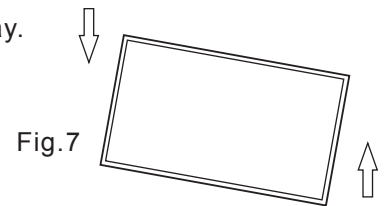


Fig.7

**Tilt Adjustment**- Raising or lowering the screen to improve viewing angle.

Grasp the upper and lower edges of the display, and then turn it to the desired tilt angle(Fig.8).

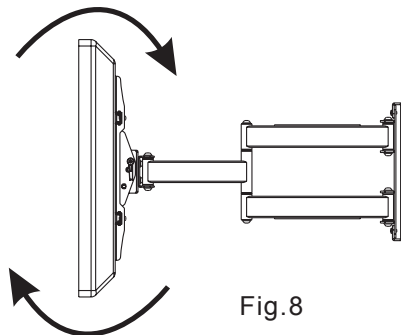


Fig.8

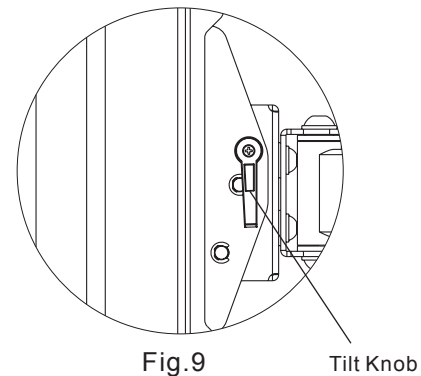


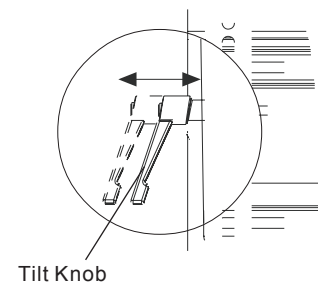
Fig.9

Tilt Knob

To lock the tilt angle, tighten the tilt knob (Fig.9) securely.

**NOTE:** For heavier displays, never fully release the tilt knob without fully supporting the display.

The tilt lever includes a ratchet function, so that it can be lifted and repositioned for the next turn. To operate the ratchet, pull the lever straight out, rotate it to an unobstructed position, release the lever, and then turn it in the desired direction. Repeat as necessary until the tilt tension is set properly (Fig.10)

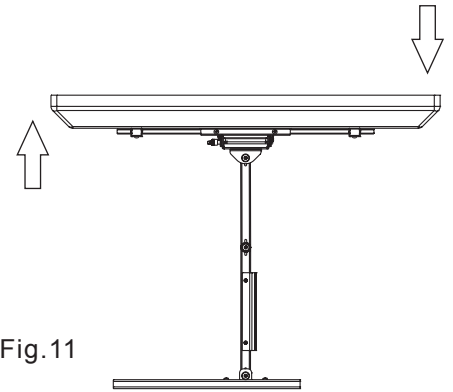


Tilt Knob

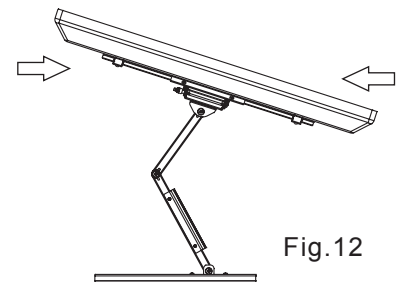
Fig.10

## Step 6

**Swivel** - Adjust the flat panel display for off center viewing positions. Grasp the side edges of the display and then swivel display into its desired position (Fig. 11).



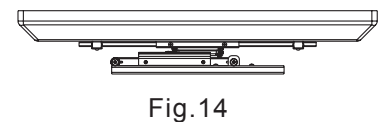
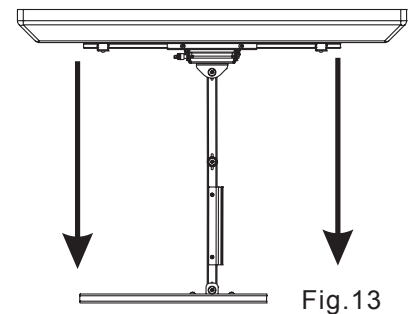
**Panning** - Positions the flat panel display at an angle to the wall for viewing from opposite sides of the room. Grasp the side edges of the display and then swivel and pull the display into desired position (Fig. 12).



**Retracting the Flat Panel Display** - Positions the display against the wall.

Grasp the side edge of the display, swivel and pull the display into the center position (Fig. 13), and then gently push the display straight back towards the wall into the retracted position (Fig. 14).

**Note:** Use care when moving the display to ensure that cables do not become stretched or pinched.



## Maintaining the **AEON-40200 / AEON-40300** Universal Cantilever Mount

The arm assembly and wall plate may be cleaned with a soft sponge and mild solution of soap and water.

**Caution:** Be sure not to get moisture on the electrical connections or the display.