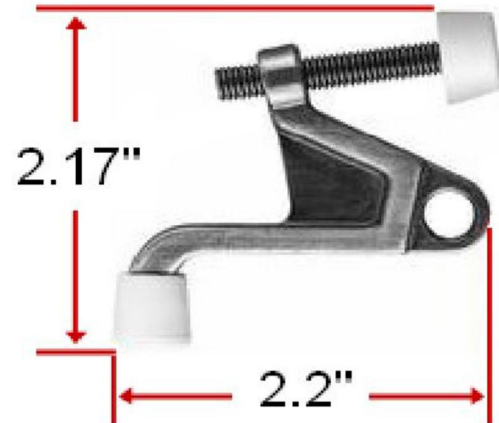


Jumbo Hinge Pin Door Stop 5-Pack  
Polished Brass



**SPECIFICATIONS**

<b>MATERIAL CONSTRUCTION:</b>	Zinc
<b>MOUNTING HARDWARE INCLUDED:</b>	Yes
<b>TOOLS NEEDED FOR INSTALLATION:</b>	N/A
<b>ASSEMBLED DIMENSIONS:</b>	2.17" H x 2.2" L x 2.2" D
<b>ASSEMBLED WEIGHT:</b>	1 lbs.
<b>CROSS BORE:</b>	N/A
<b>CORNER RADIUS:</b>	N/A
<b>PROJECTION:</b>	N/A
<b>HINGE TYPE:</b>	N/A
<b>NUMBER OF HOOKS:</b>	N/A

**WARRANTY:** 1-Year limited warranty

**LEGAL FOR SALE IN CALIFORNIA:** Yes



TYPE:  
JOB:  
ORDER CODE:  
APPROVALS: