



**HOW TO OBTAIN REPLACEMENT PARTS:**  
 Replacement parts can be purchased by  
 calling 1-866-373-9131.

**PARTS AND SERVICE:** Prior to requesting service or purchasing replacement parts, please obtain your receipt with your cabinet Information.

Date of Purchase: \_\_\_\_\_

Home Depot Order Number or Receipt Number: \_\_\_\_\_

What color is your cabinet? \_\_\_\_\_

Is your cabinet a wall, base or other type of cabinet? \_\_\_\_\_

Model Number of your Cabinet? \_\_\_\_\_

If you purchased more than 1 cabinet in your order our customer service team will help you with identifying the correct cabinet and part needed.

Using the information in this form what do you need? \_\_\_\_\_

\_\_\_\_\_

\_\_\_\_\_

\_\_\_\_\_

Due to nature of materials and finishes Ideal Cabinetry cannot guarantee replacement part will be an exact color match.

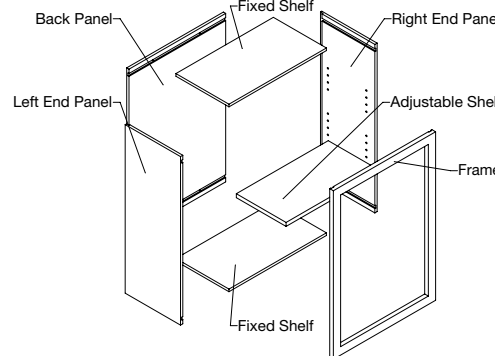
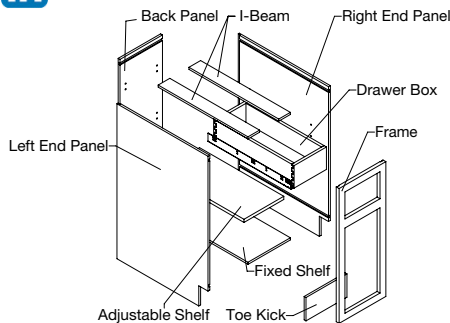
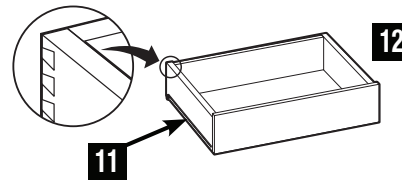
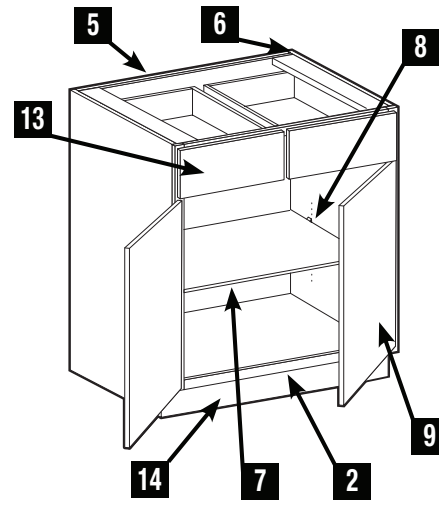
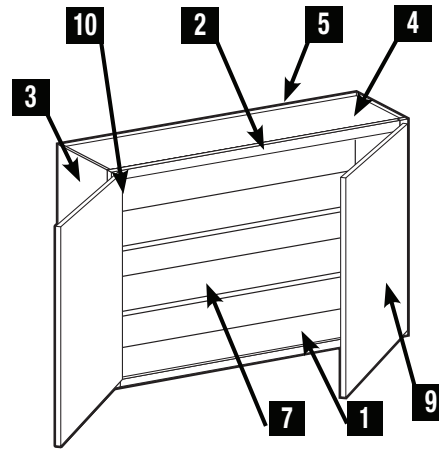
**Limited Lifetime Warranty**

In the event of a warranted product performance issue, submit request including proof of purchase documentation, specific description of warranty issue (include photos) in writing to:

Warranty Department 210 Century Boulevard Bartow, FL 33830

Due to nature of materials and finishes Ideal Cabinetry cannot guarantee warranty replacement will be an exact match. Ideal Cabinetry reserves the right to alter design, specifications and material without obligation to make changes to product previously manufactured.

Ideal Cabinetry  
 210 Century Blvd  
 Bartow, FL 33830



**CABINET PARTS**

<b>1</b>	<b>INTERIOR</b>	Natural birch finish that provides a durable, wipe clean surface.
<b>2</b>	<b>FACE FRAME</b>	1 1/2" wide x 3/4" thick solid hardwood and pocket screwed.
<b>3</b>	<b>END PANELS</b>	1/2" thick CARB2 compliant plywood finished to match the cabinet face frame.
<b>4</b>	<b>FLOOR &amp; CEILING</b>	1/2" thick CARB2 compliant plywood. Both sides are captured by the cabinet end panels.
<b>5</b>	<b>BACK PANELS</b>	1/2" thick CARB2 compliant plywood with a natural birch finished interior and raw exterior. The "clipped" back panel on corner cabinets is 1/4" thick CARB2 compliant plywood.
<b>6</b>	<b>"I-BEAM" SUPPORTS</b>	1/2" thick CARB2 compliant plywood. These full-depth braces provide stability and support for countertop attachment.
<b>7</b>	<b>ADJUSTABLE SHELVES</b>	3/4" thick CARB2 compliant plywood with a natural birch finish and matching edge banding. Shelves are full-depth and have a 15 lb. per sq. ft. weight capacity rating.
<b>8</b>	<b>SHELF SUPPORTS</b>	Clear, high-strength plastic shelf supports with a locking top tab help prevent shelf tip.
<b>9</b>	<b>DOORS</b>	Stylish, full-overlay doors available in all collections.
<b>10</b>	<b>HINGES</b>	Fully concealed soft-close 6-way adjustable hinges that open 110°.
<b>11</b>	<b>DRAWER &amp; ROLL-OUT GLIDES</b>	Drawers and roll-out trays feature soft-close, full-extension, undermount glides rated for 90 lb. dynamic loads.
<b>12</b>	<b>DRAWERS &amp; ROLL-OUT TRAYS</b>	5/8" thick finger jointed four-sided dovetail box construction, finished with a clear top coat and a 1/4" thick CARB2 compliant plywood captured floor.
<b>13</b>	<b>DRAWER FRONTS</b>	Stylish, full-overlay drawer fronts available in all collections. Deep kitchen and vanity drawer base cabinets feature an 8" top drawer front and 10 1/2" bottom drawer fronts.
<b>14</b>	<b>INTEGRAL TOE KICK</b>	1/2" thick CARB2 compliant plywood unfinished integral toe kick provides solid backing for (MTK8) Matching Toe Kick installation.