

TROUBLE SHOOTING

PROBLEM	POSSIBLE CAUSE	SOLUTION
Light will not come on.	A. Light switch is turned off. B. Fuse is blown or circuit breaker is turned off. C. Incorrect circuit wiring.	A. Turn light switch on. B. Replace fuse or turn circuit breaker on. C. Verify that fixture is wired properly.
Lights come on during the day.	A. Photocell covered.	A. Clean photocell with damp cloth.

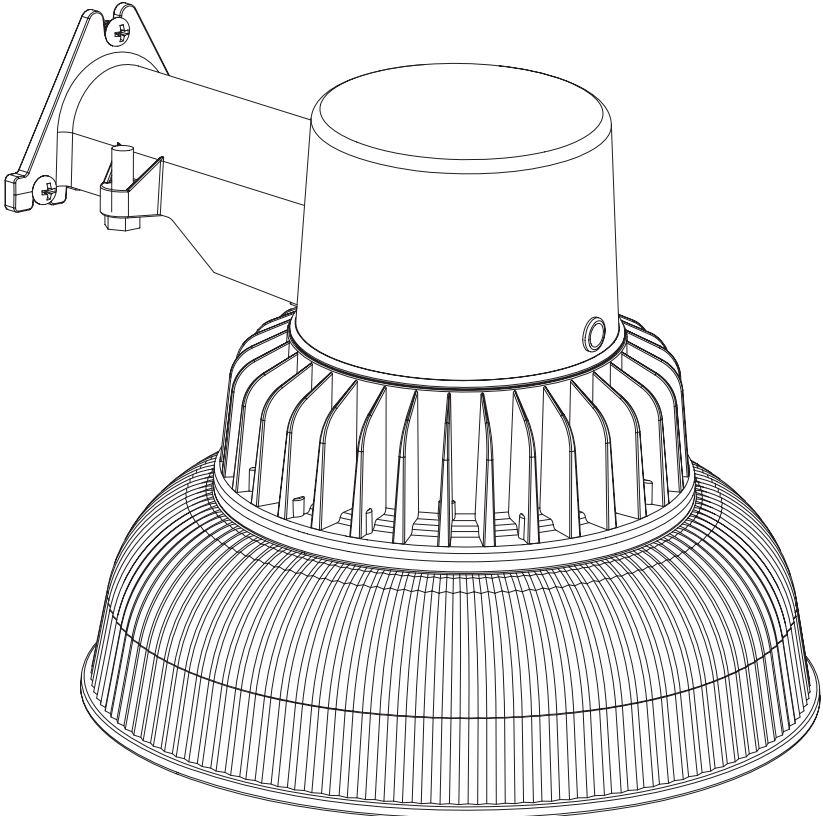
FCC WARNING:

WARNING: Changes or modifications to this unit not expressly approved by the party responsible for compliance could void the user authority to operate the equipment.

NOTES: This equipment has been tested and found to comply with the limits for a Class B digital device, pursuant to Part 15 of the FCC Rules. These limits are designed to provide reasonable protection against harmful interference in a residential installation. This equipment generates, uses and can radiate radio frequency energy and, if not installed and used in accordance with the instructions, may cause harmful interference to radio communications.

However, there is no guarantee that interference will not occur in a particular installation. If this equipment does cause harmful interference to radio or television reception, which can be determined by turning the equipment off and on, the user is encouraged to try to correct the interference by one or more of the following measures:

- Reorient or relocate the receiving antenna.
- Increase the separation between the equipment and receiver.
- Connect the equipment into an outlet on a circuit different from that to which the receiver is connected.
- Consult the dealer or an experienced radio/TV technician for help.



International Development, LLC.
899 Henrietta Creek Rd. Roanoke, TX 76262 USA
Toll-free: 1-877-723-0723

© 2016 IDC, all rights reserved.
The Honeywell Trademark is used under license from Honeywell International Inc.
Honeywell International Inc. makes no representations or warranties with respect to this product.
This product is manufactured for International Development, LLC.

LED UTILITY LIGHT
MODEL: MA0201-XXXX
USE AND CARE GUIDE

SAFETY INFORMATION

WARNING: Read all safety precautions and installation instructions carefully before installing or servicing this fixture. Failure to comply with these instructions could result in a potentially fatal electric shock and/or property damage.

- To reduce the risk of electrical shock or other personal injury ensure the power is turned OFF at the fuse or circuit breaker box before installing or servicing any part of this fixture.
- To reduce the risk of electrical shock and assure proper operation this fixture must be adequately grounded. To achieve proper grounding there must be a separate ground wire (bare copper) contact between this fixture and the ground connection of the main power supply panel.
- This fixture must be wired in accordance with all national and local electrical codes. It is recommended that a qualified electrician perform all wiring.
- Do not handle energized fixtures or attempt to energize any fixture with wet hands or while standing on a wet or damp surface, or in water.
- This fixture is intended to be used for general outdoor lighting, in wet locations, and should be mounted at least 2.4 m / 8 ft above the ground.
- Assure that the fixture is mounted onto a structurally sound surface that will support the fixture.
- This fixture is designed for use in a 110-120VAC, 60Hz fused circuit. Do not use on a dimming circuit.

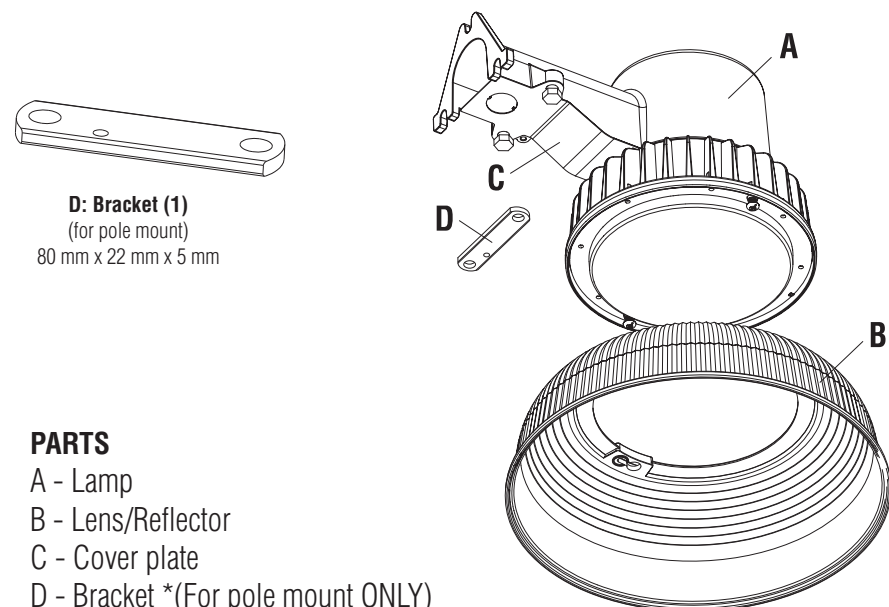
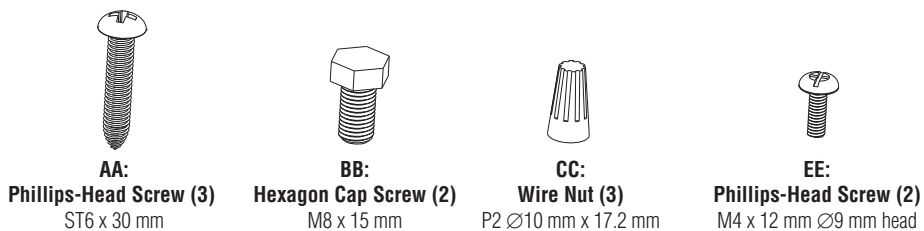
THIS PRODUCT MUST BE INSTALLED IN ACCORDANCE WITH THE APPLICABLE INSTALLATION CODE BY A PERSON FAMILIAR WITH THE CONSTRUCTION AND OPERATION OF THE PRODUCT AND THE HAZARDS INVOLVED.

PRE-INSTALLATION

PLANNING INSTALLATION

- Carefully remove the fixture from the carton and check that all parts are included. Be careful not to misplace any of the screws or parts needed for installing the fixture.

HARDWARE INCLUDED (note: some parts may be pre-assembled)



INSTALLATION

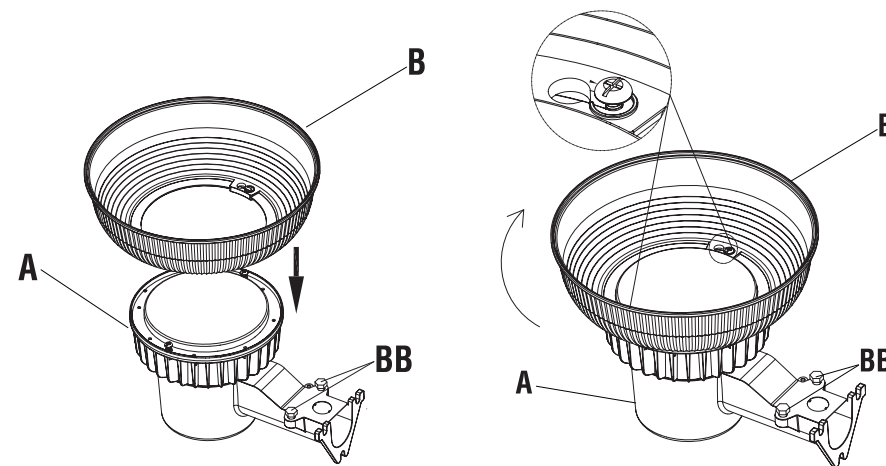
CAUTION: Turn OFF the circuit breaker and light switch before beginning installation.

IMPORTANT: Do not use this fixture with dimmers or timers.

- This fixture is suitable for wall or pole mount only. It is not suitable for ground mount installation.
- The hardware included is for wood surface mounting only.
- For best performance, mount the fixture 2.4-3.6 m / 8-12 ft above the ground.

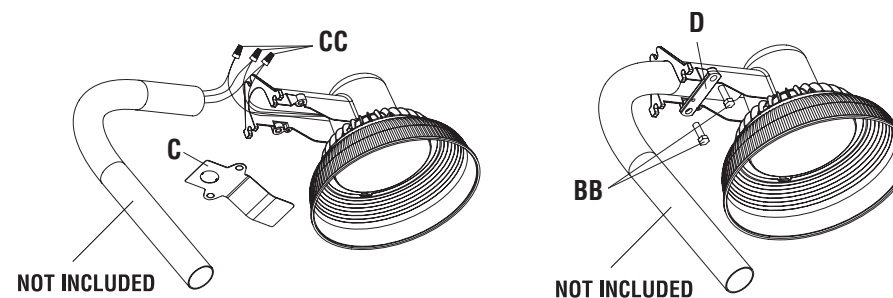
PREPARING THE FIXTURE

1. Align the holes on each side of the lens/reflector (B) with the screws on each side of the lamp (A) and attach the lens/reflector (B) to the lamp (A).
2. Turn the lens/reflector (B) to lock in place and tighten the screws (EE).



POLE MOUNT

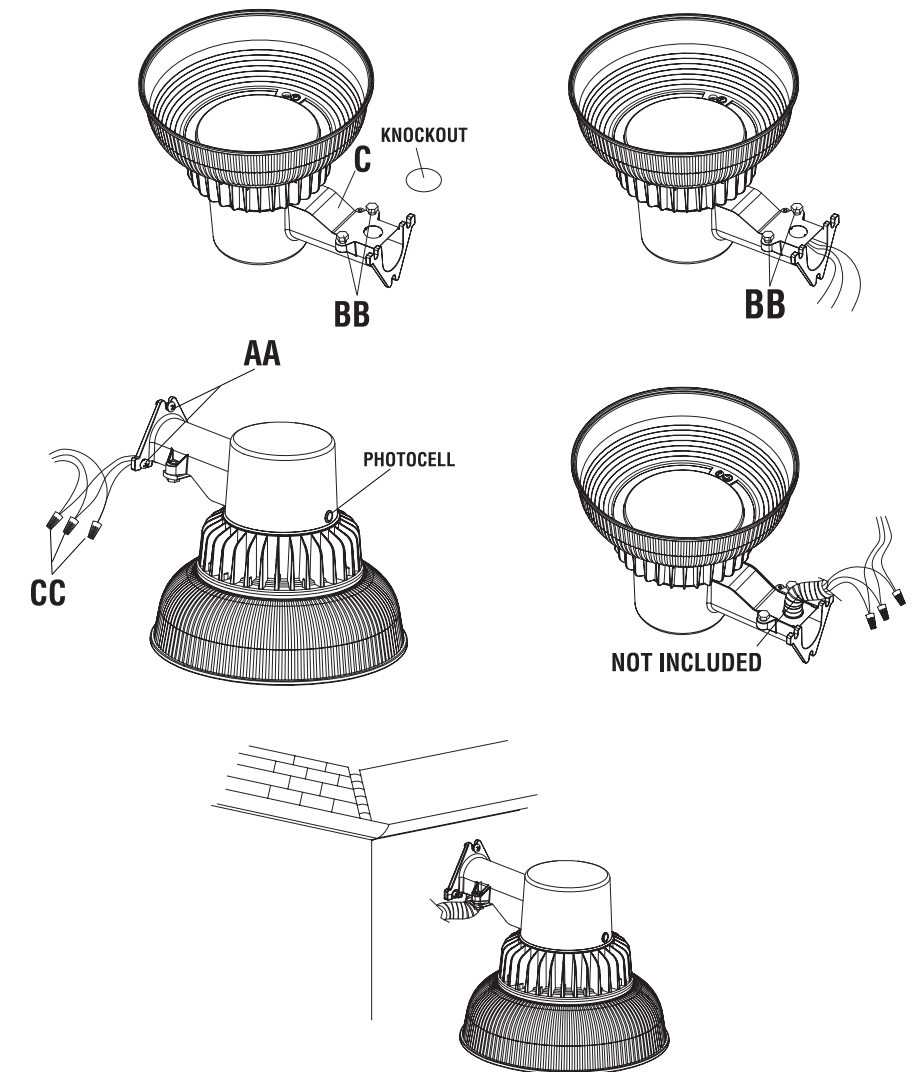
1. Remove the cover plate (C) and the two bolts (BB).
 2. Insert the supply wires through the extension arm (not included) and make connections to the light fixture.
 3. Connect the supply ground wire to the fixture ground (bare copper) wire using a wire nut (CC).
 4. Connect the black fixture wire to the black (line) supply wire. Connect the white fixture wire to the white (neutral) supply wire using the wire nuts (CC).
 5. After connecting the wires, push the wires into the extension arm (not included).
- NOTE:** For proper connection, place the wire nuts over the wires and twist clockwise until tight.
RECOMMENDED: Wrap with each wire nut with electrical tape (not included).
6. Insert the extension arm (not included) into the mounting slot on the fixture.
 7. Secure with the bracket (D) and two bolts (BB).



INSTALLATION

WALL MOUNT

1. Mark mounting hole locations and drill 4.7 mm / 3/16 in diameter pilot holes.
 2. Untighten the two bolts (BB) and remove the cover plate (C).
 3. Attach the light fixture to the wall using the three included ST6 screws (AA).
 4. Insert the two bottom ST6 screws (AA) first, leaving about 95 mm / 3/8 in of space under the head.
 5. Place the fixture on the two bottom ST6 screws (AA) and install the top ST6 screw (AA).
 6. Tighten the two bottom ST6 screws (AA).
 7. For conduit mounting, remove the knockout on the bottom of the cover plate (C). Secure the conduit, not included, to the cover plate (C) with a fitting in accordance with the National Electric Code. Thread the house supply wires through the hole.
 8. Connect the house supply ground wire to the fixture ground (bare copper) wire using a wire nut (CC).
 9. Connect the black fixture wire to the black (line) supply wire and the white fixture wire to the white (neutral) supply wire using the remaining wire nuts (CC).
- NOTE:** For proper connection, place the wire nuts over the wires and twist clockwise until tight.
RECOMMENDED: Wrap with each wire nut with electrical tape (not included).
10. Reattach the cover plate and secure with the two bolts (BB) provided.



OPERATION

- To test operation during the daytime, cover the photocell with black electrical tape.
 - Turn on the circuit breaker and light switch.
- NOTE:** Wait about one minute for circuitry to calibrate for first time use.