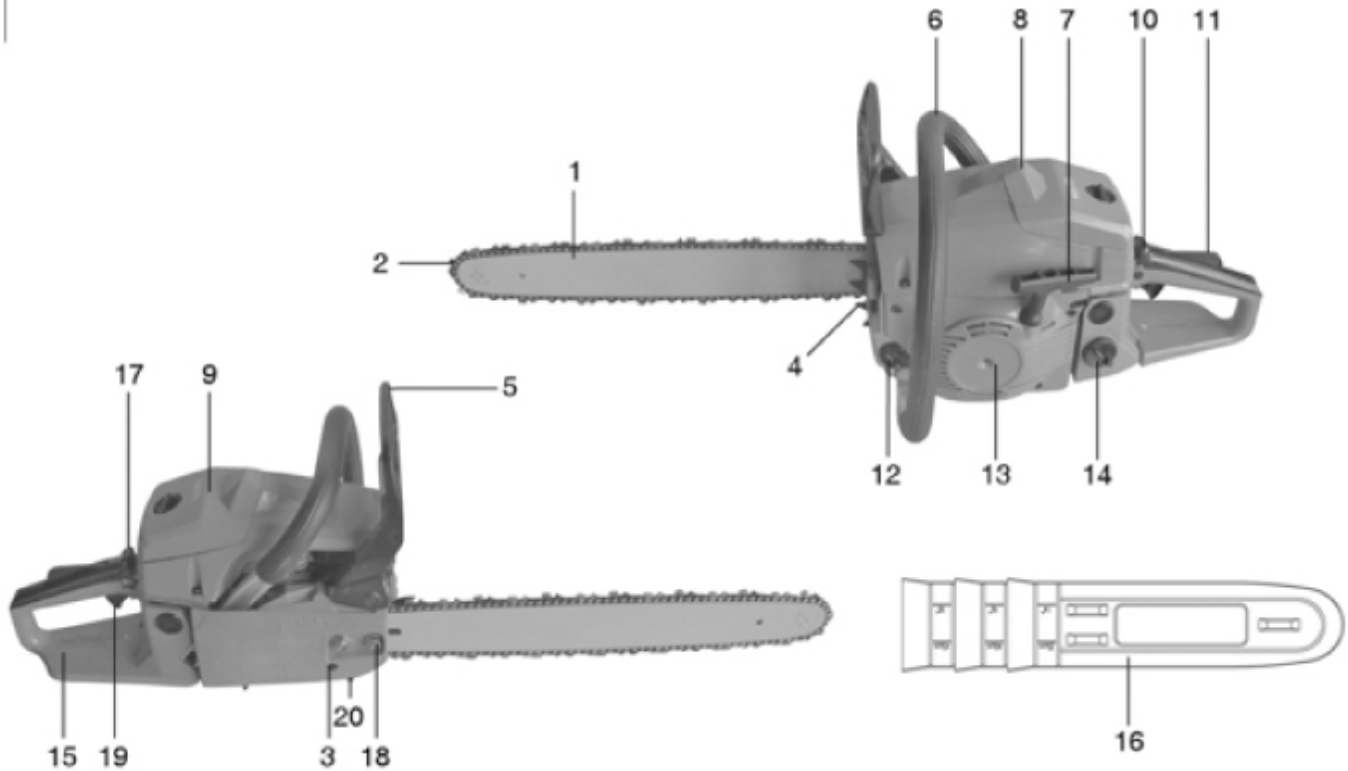




14/20 INCH CHAINSAW

Models: 50969, 50970, 8901, 8902

Parts List



#	Part Description
1	Chain Bar
2	Saw Chain
3	Chain Tensioning Screw
4	Stop Claw
5	Chain Brake Lever/ Front Hand Guard
6	Front Handle
7	Starter Handle
8	Spark Plug (under air filter cover)
9	Air Filter Cover
10	Stop Switch

#	Part Description
11	Safety Lock
12	Oil Tank Cap
13	Fan Housing
14	Fuel Tank Cap
15	Rear Handle/ Bootstrap
16	Chain Guard
17	Choke/ (Carburetor Setting)
18	Bar Fastening Nut
19	Throttle Lever
20	Chain Catch

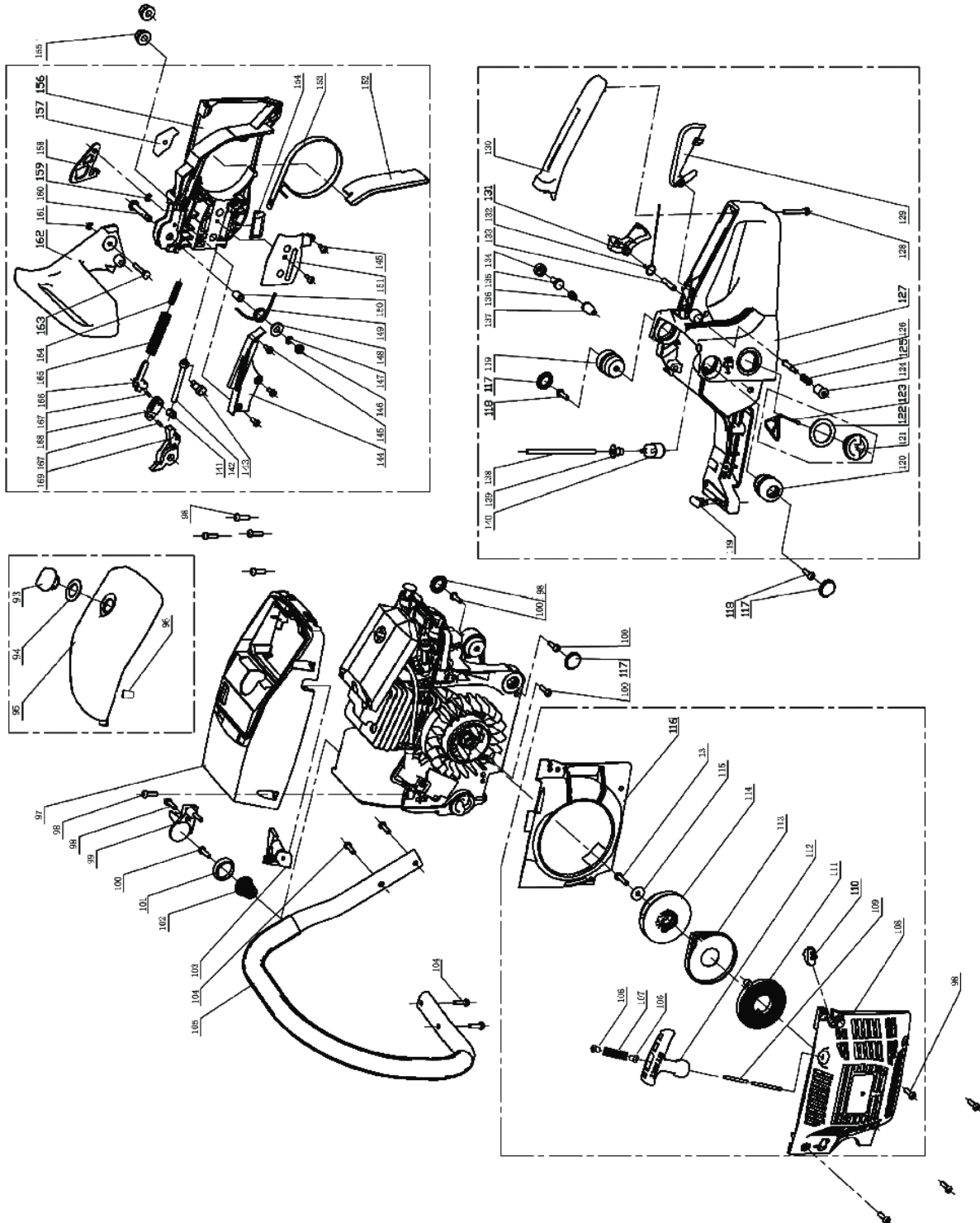
For Customer Service, please call 1-800-358-5004 or email feedback@natitools.com



14/20 INCH CHAINSAW

Models: 50969, 50970, 8901, 8902

Parts List

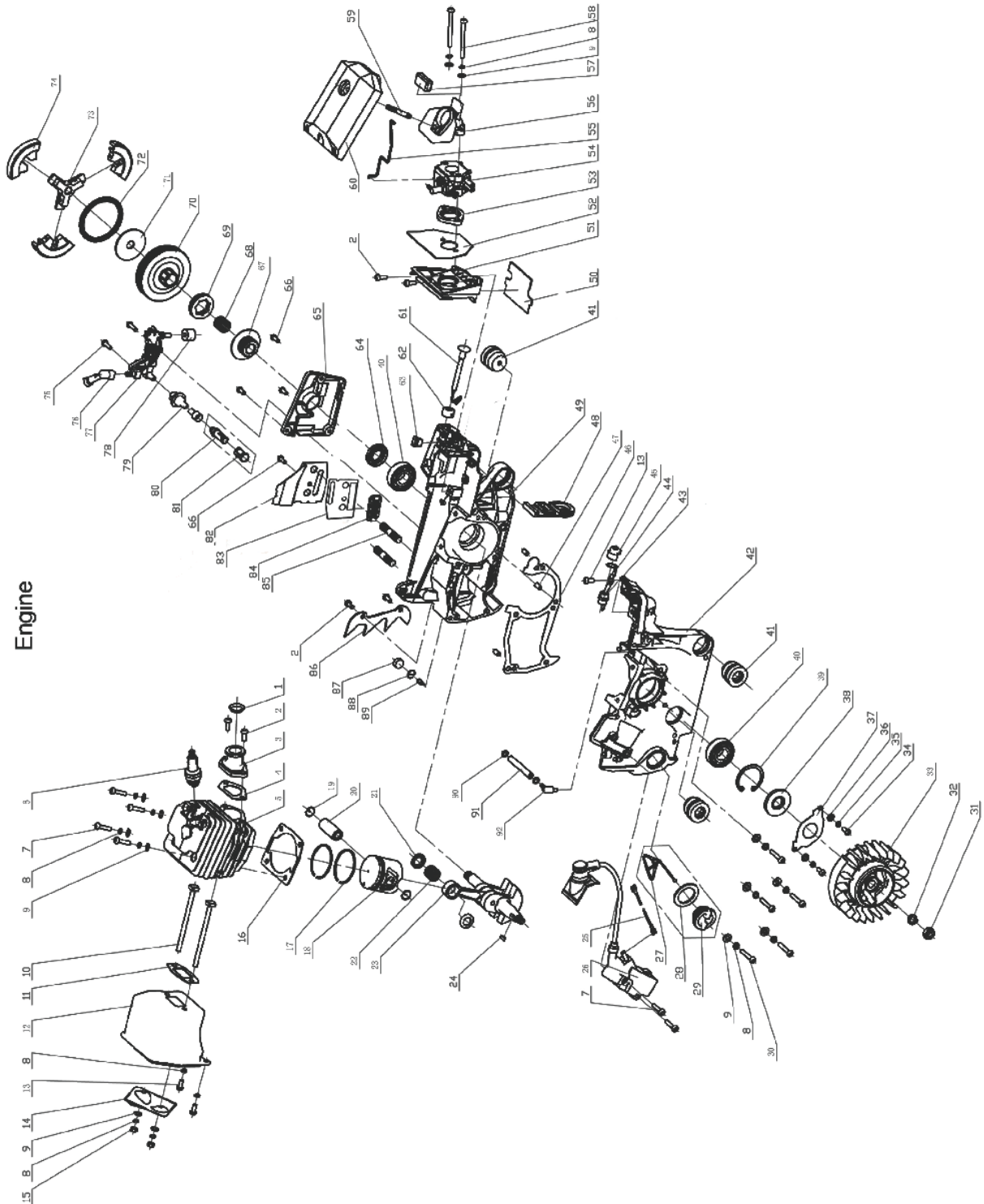




14/20 INCH CHAINSAW

Models: 50969, 50970, 8901, 8902

Parts List



Call 1-800-348-5004 for assistance or replacement parts

Please provide the following information:

- Model number
- Part description and number as shown in parts list
- Serial number (if any)

Address any correspondence to:

North American Tool Industries
84 Commercial Rd
Huntington, IN 46750

Ref No.	Name	Quantity
1	retainer ring	1
2	screw	6
3	air intake tube	1
4	air intake tube gasket	1
5	cylinder	1
6	spark plug LD	1
7	screw	6
8	spring washer 5	13
9	washer 5	15
10	silencer bolt	2
11	silencer gasket	1
12	silencer	1
13	screw	4
14	silencer cap	1
15	nut M5	3
16	cylinder gasket	1
17	piston ring	2
18	piston	1
19	piston pin circlip	2
20	piston pin	2
21	needle bearing ring	2
22	needle bearing	1
23	crankshaft components	1
24	semicircular key	1
25	flameout wire	1
26	igniter	1
27	oil cap retainer	1
28	packing washer	1
29	oil cap	1
30	screw	5
31	nut	1
32	spring washer 8	1
33	flywheel	1
34	screw	2
35	spring washer 4	2
36	washer 4	2
37	oil seal protector	1
38	oil seal	1
39	ring 35	1
40	bearing 6202 grade D	2
41	anti-vibration cushion d	3
42	left crankshaftcase	1
43	flameout switch	1
44	ground strip	1
45	flameout switch retainer	1
46	crankshaftcase gasket	1
47	pin	3
48	dust plate	1
49	right crankshaftcase	1
50	backing board	1
51	air intake tube support	1
52	air intake tube support gaske	1
53	air intake flange	1
54	carburetor	1
55	accelerator rod	1
56	air intake	1
57	air intake cushion	1

Ref No.	Name	Quantity
58	screw	2
59	screw	1
60	air filter	1
61	throttle rod	1
62	throttle lever retainer	1
63	anti-shock block	1
64	oil seal	1
65	oil pump cover plate	1
66	screw	4
67	worm	1
68	needle bearing	1
69	sprocket	1
70	clutch shell	1
71	clutch washer	1
72	clutch extension spring	1
73	retainer	1
74	shoe bolck	3
75	screw	2
76	oil nozzle	1
77	oil pump	1
78	sponge ring	1
79	oil tube	1
80	oil filter body	1
81	oil filter screen	1
82	protecting shield	1
83	protecting shield cover	1
84	chain guide	1
85	screw	2
86	spiked bumper	1
87	sponge block	1
88	aeration nozzle circlip	1
89	aeration nozzle	1
90	suction tube circlip	2
91	suction tube	1
92	suction nozzle	1
93	air filter lock nut	1
94	lock nut washer	1
95	air filter cover	1
96	shock rubber cushion	1
97	upper cover plate	1
98	screw	10
99	chain catcher	1
100	screw	4
101	conical spring base	1
102	conical spreader spring	1
103	idle adjusting guide	1
104	screw	4
105	front handle assembly	1
106	kick spring base	1
107	kick spring	2
108	starter cover	1
109	start rope	1
110	L H sheathing	1
111	coil spring	1
112	starting handle	1
113	coil spring shell	1
114	starter wheel	1

Ref No.	Name	Quantity
115	big washer	2
116	cooling-air mask	1
117	dust cover	5
118	screw	2
119	double-ended pin	1
120	anti-vibration cushion c	2
121	fuel cap	1
122	packing washer	1
123	fuel cap retainer	1
124	button	1
125	button spring	1
126	button shaft	1
127	base	1
128	screw	1
129	trigger controller	1
130	handle cover	1
131	trigger	1
132	trigger torsion rod spring	1
133	pin	1
134	balancer cover	1
135	filter	1
136	balancer rubber	1
137	balancer body	1
138	fuel tube	1
139	fuel tube base	1
140	fuel filter components	1
141	tightener	1
142	tightening screw	1
143	tightening gear	1
144	brake spring cover	1
145	screw	5
146	shock rubber washer	1
147	shield ring	1
148	washer	1
149	brake torsion rod spring	1
150	front guard tube	1
151	tightener cover	1
152	dust shield	1
153	brake belt	1
154	chain guide	1
155	nut	2
156	right cover	1
157	shock rubber cushion	1
158	cam plate	1
159	shield ring	1
160	front guard pin	1
161	shield ring	1
162	front guard	1
163	positioning pin	1
164	secondary brake spring	1
165	brake spring	1
166	brake control rod	1
167	pin	2
168	secondary pull-rod	1
169	main pull-rod	1