



# GTM Series

OxCart 15-17 cu ft HYDRAULIC-ASSIST LIFT POLY DUMP CART



**READ AND FOLLOW ALL SAFETY RULES AND OPERATING INSTRUCTIONS BEFORE USING THIS EQUIPMENT**

# Safety Rules



**This is the safety alert symbol. It is used to alert you to potential personal injury hazards. Obey all safety messages that follow this symbol to avoid possible injury or death.**

Read and understand all safety rules and operating instructions before using this tractor attachment (Dump Cart).

Follow all safety rules and operating instructions provided by your tow vehicles manufacturer when using the Dump Cart.

Never allow children or untrained persons to operate the vehicle or Dump Cart.

Do not exceed the vehicle manufacturer's tow weight limit.

Reduce the vehicle speed and allow extra stopping distance when towing heavy, unpredictable loads.

Reduce vehicle speed and towed weight when operating on slopes.

Operate up and down slopes, never across the face of slopes.

Do not carry passengers on the tow vehicle or the Dump Cart.

Avoid sudden turns or maneuvers.

Do not tow the Dump Cart on public roadways.

Do not remove warning decals from the Dump Cart.

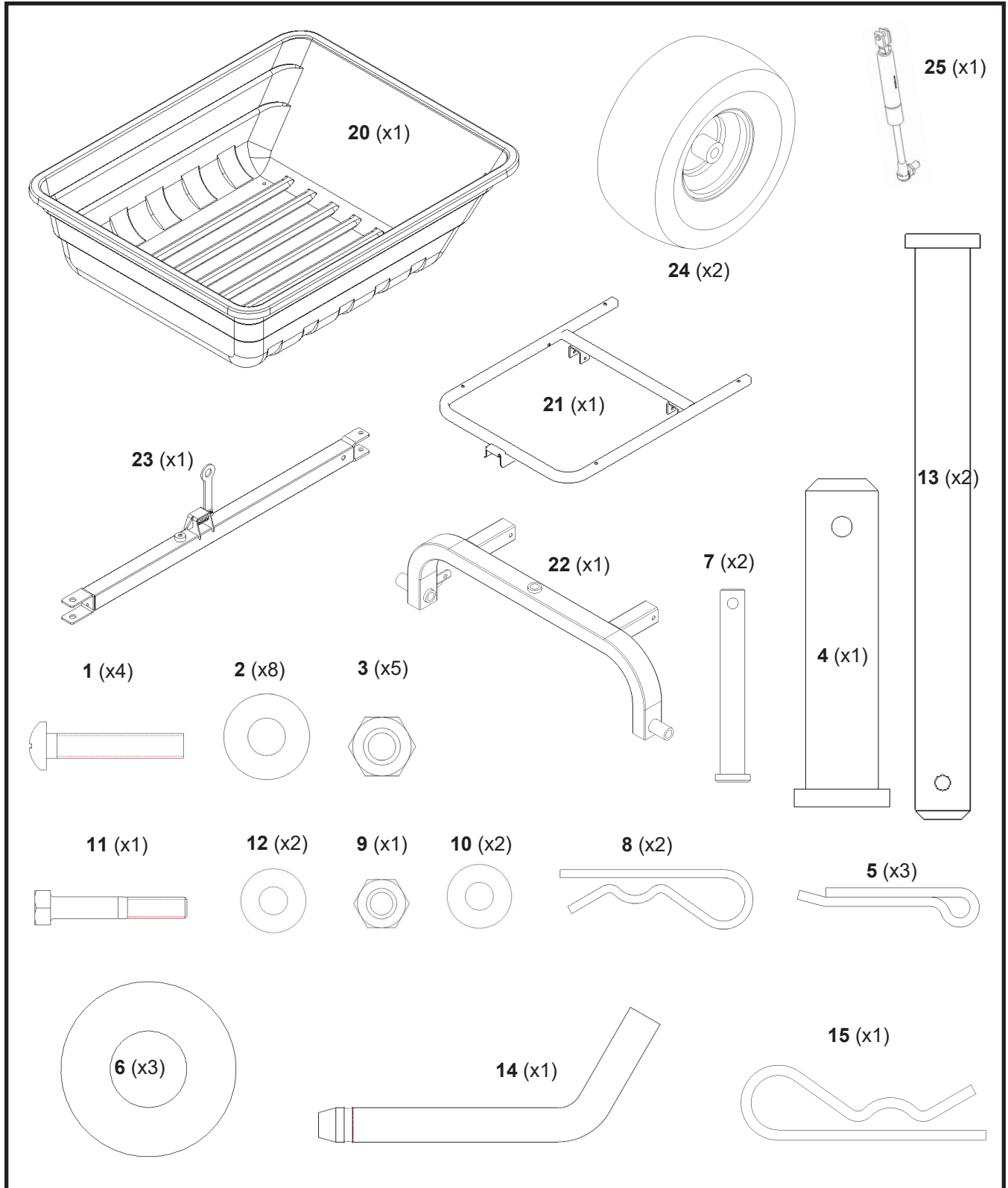
Check the Dump Cart for worn, loose, or damaged parts before each use. If any damage is present, repair the Dump Cart before using.

Check the Dump Cart for loose or missing fasteners before each use. Tighten or replace fasteners as needed before using.

Do not exceed 8 miles per hour when towing the Dump Cart.

Do not exceed maximum towing capacity of your towing vehicle's owner manual.

# Carton Contents By Item Number



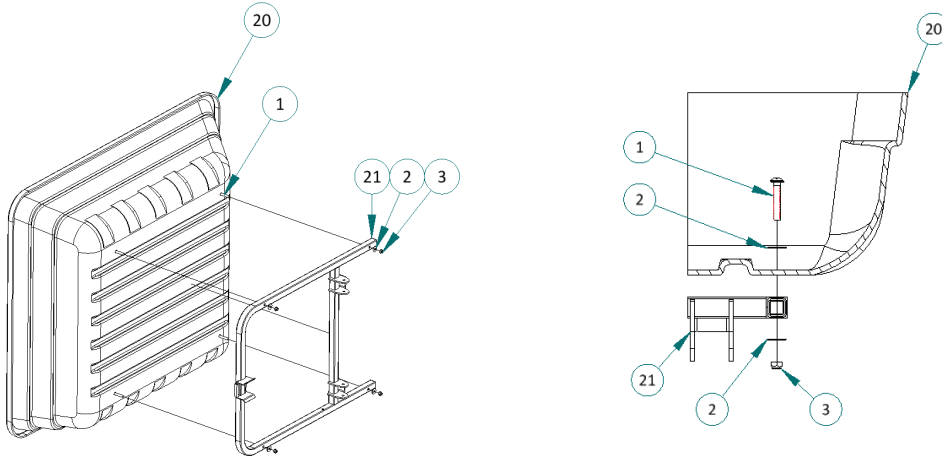
## TOOLS REQUIRED FOR ASSEMBLY:

- 1/2" Wrench
- Thin 13mm Wrench, Small Vice Grip or Crescent
- Phillips Head Screwdriver
- Pliers

# Assembly Instructions By Step

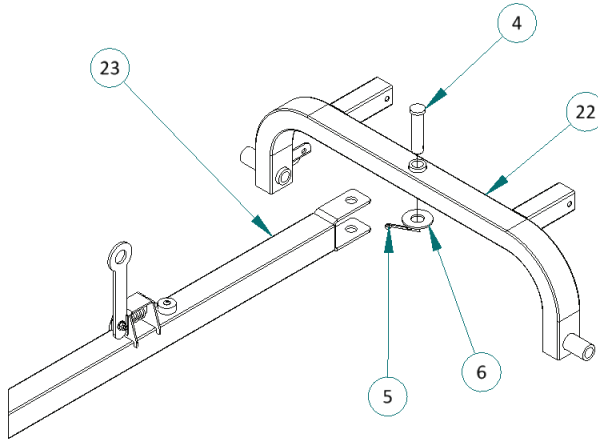
**1**

Align the bed frame with the bottom side of the bed. Loosely bolt the frame to the bed using the hardware shown. Once the frame is completely attached and aligned, tighten the frame mounting bolts with a 1/2" Wrench and Phillips Head Screwdriver.



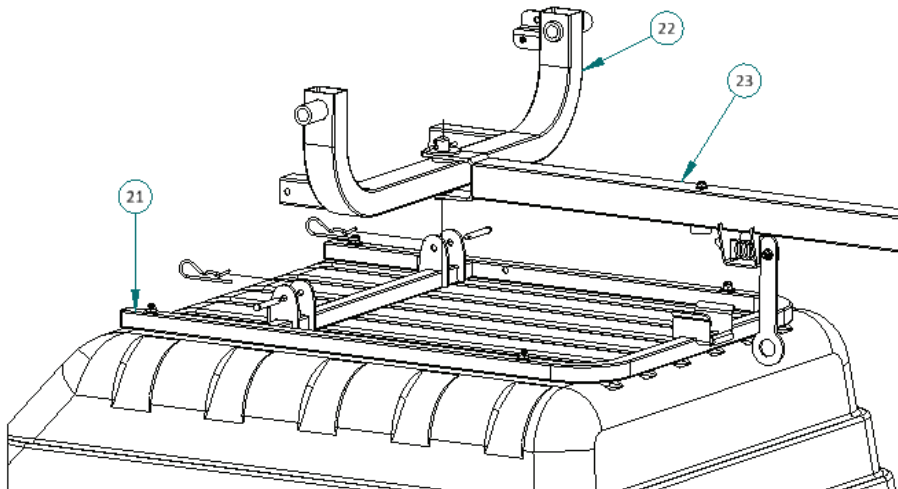
**2**

Slide the tow bar onto the axle frame and align with the pivot hole. Secure with the provided hardware as shown. Use pliers to bend the cotter pin ends.



**3**

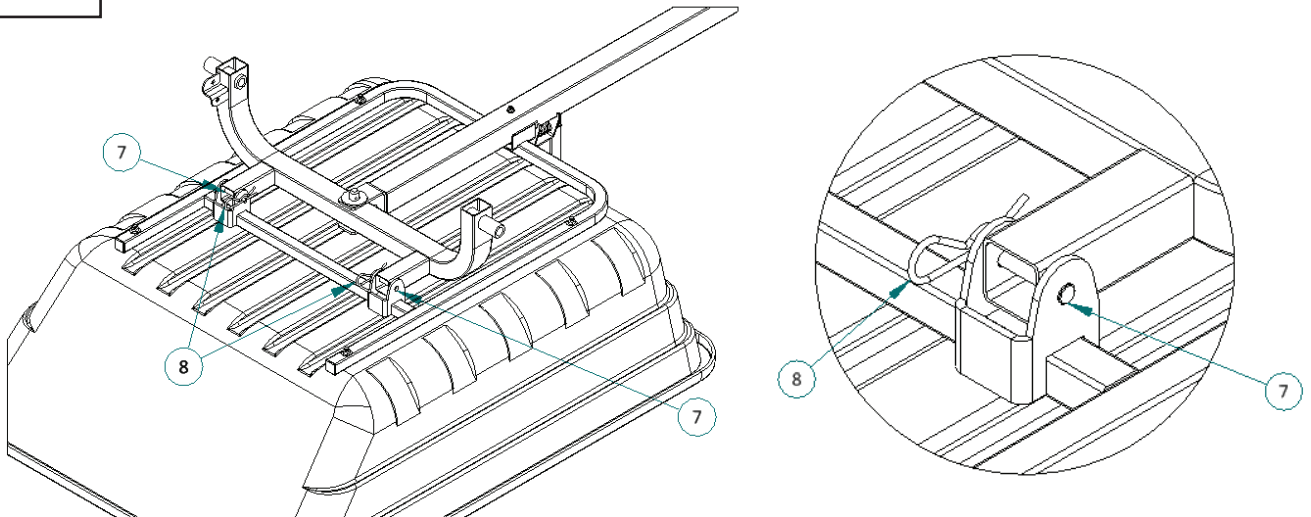
Align the axle frame with the bed frame pivot holes. Ensure bed frame is at the back of the tub.



# Assembly Instructions By Step

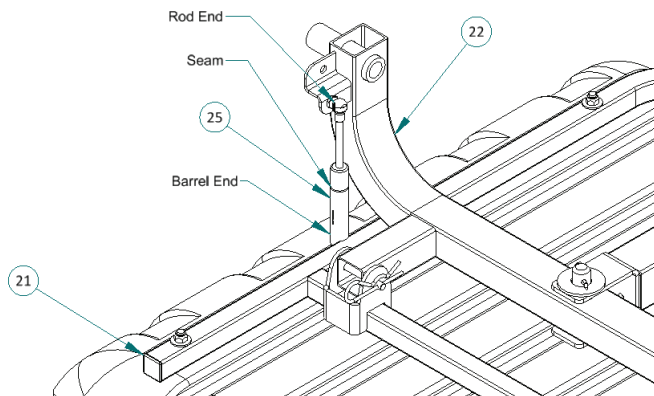
**4**

Insert the hinge pin through each pivot bracket and secure each with a hairpin cotter.



**5**

Before installing lift-assist see below for orientation placement and definitions of strut ends.

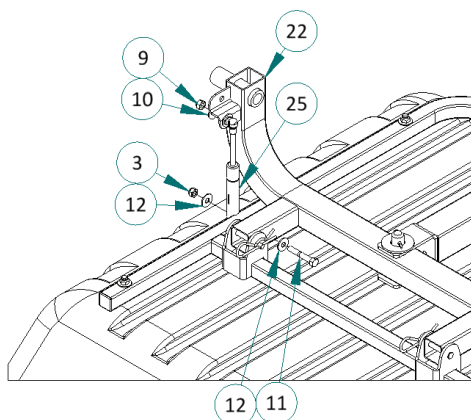


## NOTICE

If the lift-assist bolts/pin are not aligned with lift-assist bracket and bed frame mounting holes, you may need to twist the bolt/pins to align.

**6&7**

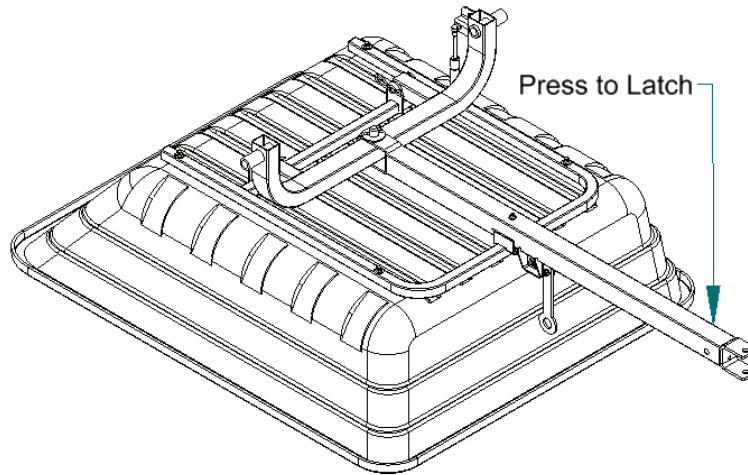
First align the rod end with lift-assist bracket mounting hole. Secure the rod end with the M8 nylock nut and 2 washers provided on both ends using a thin 13mm wrench, crescent or vise grip. (Suggestion to aid in ease of attachment is to assemble loose first & then tighten rod end & then barrel end) Second, align the barrel end of the lift-assist with the bed frame mount hole. To aid in alignment, raise and lower tow bar.



# Assembly Instructions *By Step*

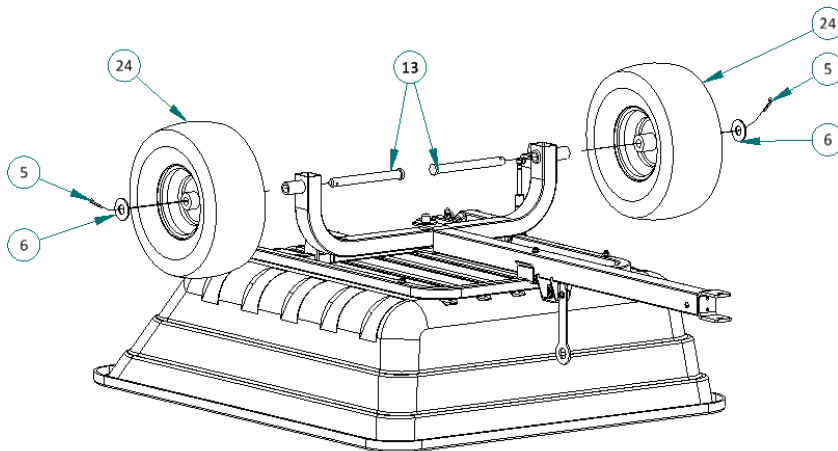
**8**

Carefully align and lower the tow bar into the receiver until the bar is latched and secured to the bed frame.



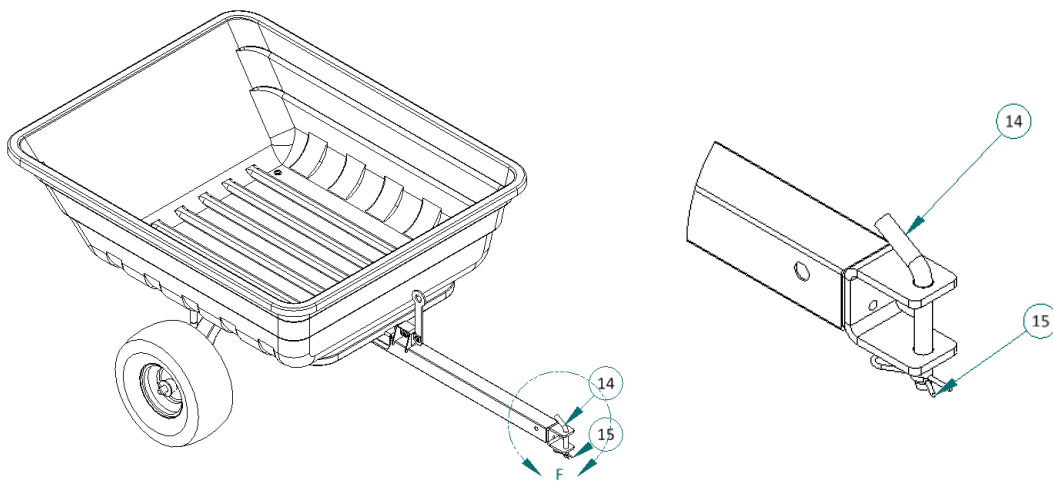
**9**

Insert the axles through the axle bushings. Secure each wheel with a washer and cotter pin. Use pliers to bend cotter pins end to secure wheel. \*\*\*Optional spacer or washers may be provided to increase space between tire & bed.\*\*\*



**10**

Insert the tow pin and secure with the hairpin cotter.





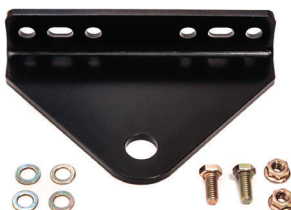
# Check out our cool accessories on OxCart.com and find a retailer near you!



15 cu ft Farm Cart/Wheelbarrow Conversion Accessory



OxCart Universal Zero-Turn Hitch Kit



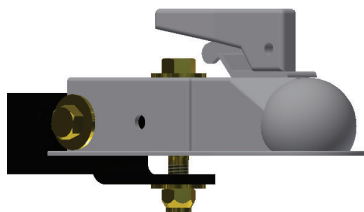
OxCart Cargo Cover



Long Handled Tool Holder Accessory



2" Straight Coupler by user



Wood Side Rails by user



16.6x7.5-8  
4ply OTR tires



16.6x6.5-8  
4ply MAG tires

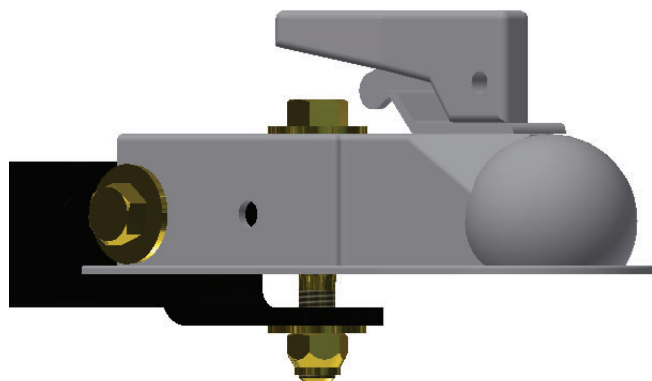
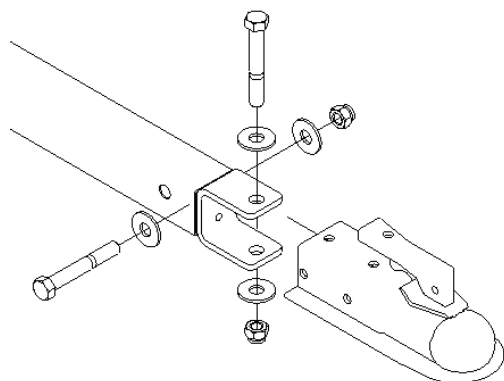


# DO MORE and increase turning radius!

## Do-it-yourself upgrades.

Instructions for 2" Straight Coupler Installation (Straight Coupler no included):

- 1) Recommended coupler Curt PN 25153 (Hole pre-drilled in towbar for this PN)
- 2) Purchase below hardware from local hardware store.
  - a) Qty. 2 - 1/2" Dia x 3.5" Grade 5 Bolts
  - b) Qty. 4 - 1/2" Washer
  - c) Qty. 2 - 1/2" Nyloc Nut
- 3) Bolt Coupler to end of towbar.

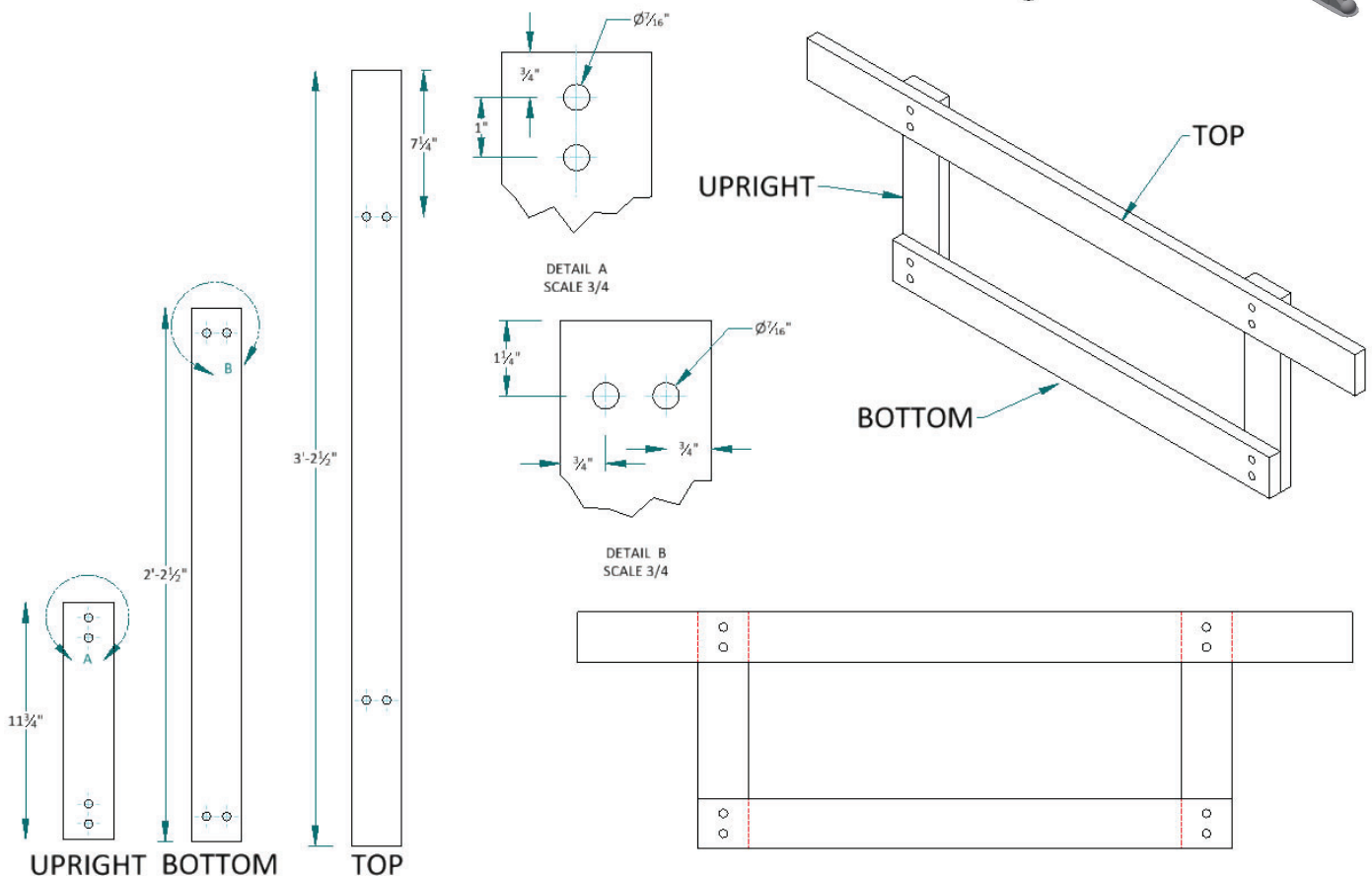




# DO EVEN MORE! Add side rails to heap over 17 cu ft.

## Instructions for Wood Side Rails:

- 1) Recommended 1x3 Pine or similar.
- 2) Purchase below hardware/lumber from local hardware/Lumber store.
  - a) Qty. 24 - 3/8" Dia x 2.5" Grade 5 Carriage Bolts. (1X Front Rail & 2X Side Rails)
  - b) Qty. 24 - 3/8" Washer
  - c) Qty. 24 - 3/8" Nyloc Nut
  - d) Qty. 2 - 10' 1x3 Pine or similar
- 3) Cut Qty. 3 "Top" boards to a length of 38.5" out of one 10' 1x3.
- 4) Cut Qty. 3 "Bottom" boards to a length of 26.5" & "Upright" boards out of one 10' 1x3.
- 5) Drill Qty. 16 7/16" Dia. holes per the below drawing.
- 6) Center up front rail bottom board & C-Clamp to tub, then drill holes through tub & bolt together front rail.
- 7) Fully assembly side rails, then butt side top rail to front top rail, finally mark/measure placement of side bottom rail.
  - a) Disassemble side bottom board & then locate in place where marked or measured & drill through tub.
  - b) Repeat for opposite side
- 8) Fully assemble wood rails



# ***Operating Instructions***

## **Before Using The Dump Cart:**

- Read and fully understand the tow vehicle operator's manual.
- Do not exceed tow vehicles maximum towing capacity found it vehicles manual.
- Read all Safety Rules found on page 2.

## **How to Use Dump Cart:**

- Tow the Cart at a low speed when traveling on uneven grading and unpredictable surface materials.
- Do not tow the Cart with the bed in the raised position.
- Verify, and never exceed tow vehicles' towing capacity. Heavy loads may cause the tow vehicle's brakes to fail.
- Carts are not DOT approved and should not be used on public roads or highways.
- Maximum towing speed should NOT exceed 8 mph.
- Do not exceed the recommended Cart capacity rate of:  
750lbs for 2-ply tires, 1100lbs for 4-ply tires and 1400lbs for ATV tires.
- Only use the Cart while it is attached to a tow vehicle or with OxCart Conversion Kit (not included).
- Do not overfill the Cart bed, contents shift during transportation and could become unstable.
- Do not make sharp turns causing contact between the tow vehicle rear wheels and the Dump Cart tow bar.
- Maintain safe travel distances from steep hills, holes, and ditches.

## **How to Empty Dump Cart - Rear Dump Function:**

1. Always ensure the dump area and Dump Cart are clear of obstructions and personnel, during the dumping process.
2. To release the bed latch, apply constant downward pressure to the top edge of the bed with one hand.
3. While applying downward pressure to the bed, move the bed latch handle towards the tow vehicle until the bed latch releases.
4. Once the bed latch releases, use both hands to maintain control while slowly dumping the bed contents.

# ***Operating Instructions***

## **How to Empty The Dump Cart - Side Dump Function:**

1. Always ensure the dump area and Dump Cart are clear of obstructions and personnel during the dumping process.
2. Face the bed latch handle in the same direction as proposed dump area.
3. Release the bed latch by applying downward pressure on the bed with one hand, while moving the bed latch handle toward the tow vehicle until the bed releases from the tow bar.
4. Once the bed latch releases, use both hands to maintain control and rotate the bed towards the dump area.
5. Slowly dump-out bed contents.

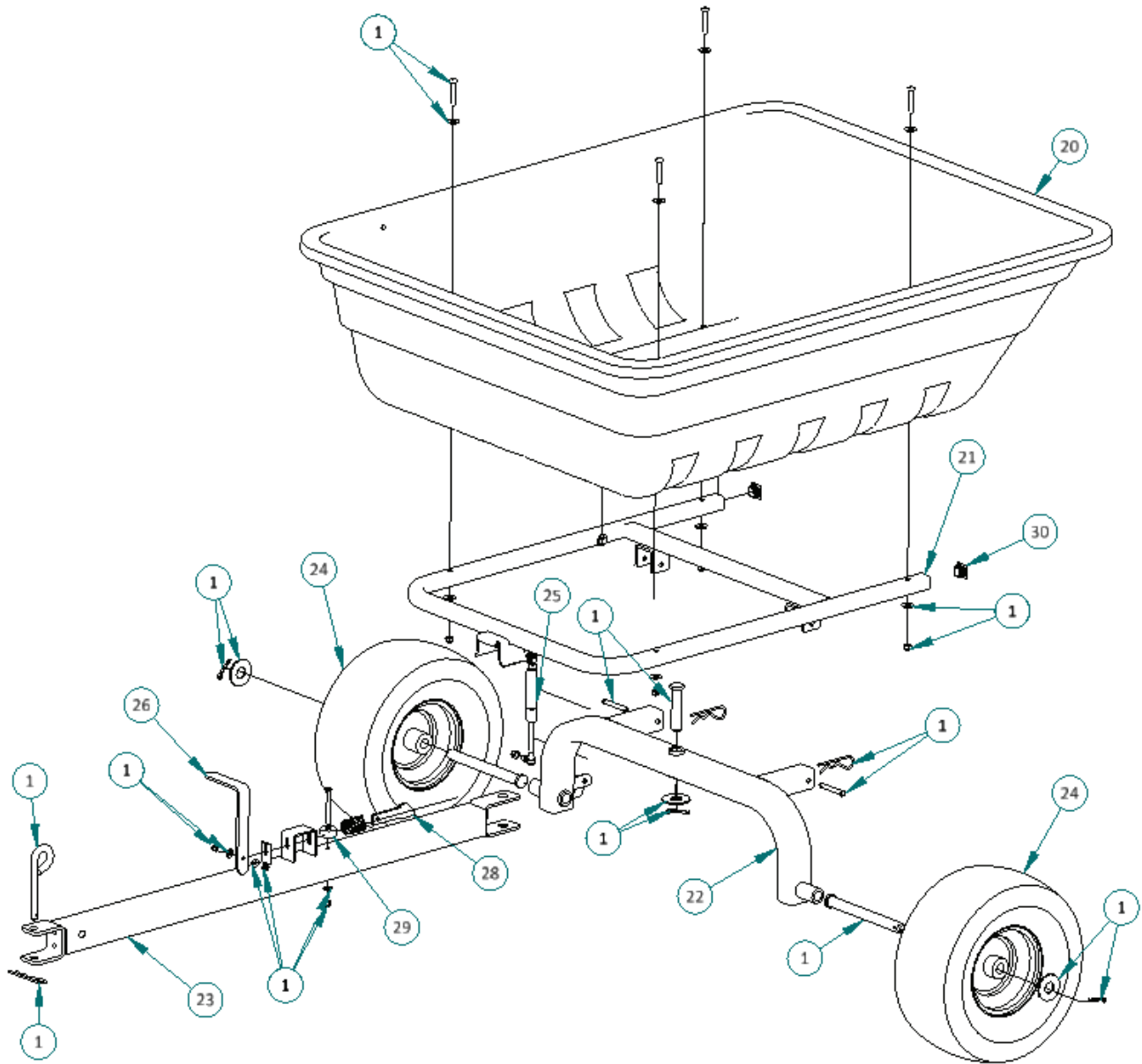
## **Bed Latch:**

1. Travel with the bed in the latched position. Always secure the bed onto the Cart frame before moving the Cart.
2. After unloading bed contents; inspect the area under the bed and around the Cart frame area, remove any obstructions.
3. With two hands, rotate the bed to center on the Cart.
4. With two hands, grip the top edge of the bed and with constant downward force, push the bed down until it latches to tow-bar.

## **Maintenance:**

- Check and lubricate wheel hubs as needed. Grease fittings are located on each wheel hub.
- If rust becomes apparent, sand lightly and touch-up with enamel paint.
- Check all welds. If a cracked weld is found, do not operate the Cart until the damage is repaired by qualified personnel.
- Check and tighten any loose bolts.
- Check tire pressure regularly. Proper inflation prolongs tire life. Refer to the tire sidewall for manufacturer's inflation recommendation.  
PSI: 15" tires is 14lbs, 16" tires are 22-28lbs.

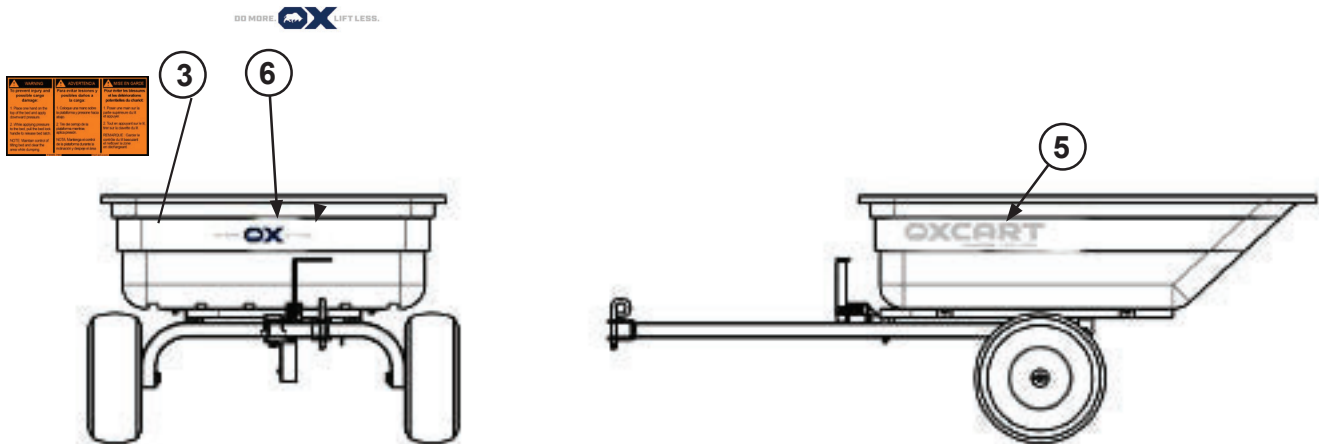
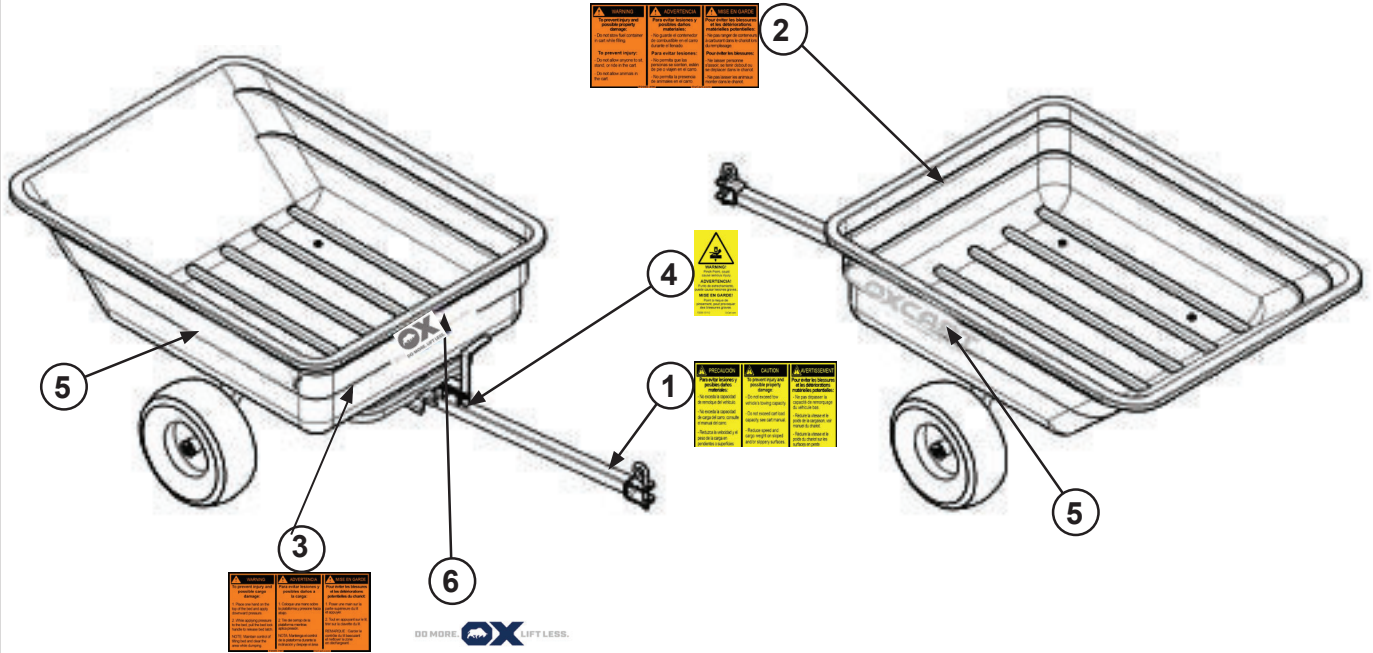
# Repair Parts



ITEM	PART NUMBER	DESCRIPTION
20	GTM2020-21 With P2000-456	Tub With Warning Labels
21	GTM2009-21	Bed Frame
22	GTM2002-21	Axle Support Frame in Box
23	GTM2006-21	Tow Bar Frame
24	GTM2001	Wheel Assembly
25	902989 or 797829	Hydraulic Lift Assist Strut
26	GTM2052	Handle Latch
27	GTM2045	Spring, Latch
28	GTM2051	Latch
29	GTM2071	Bed Bumper
30	GTM2070	Plug, 1 Inch Tube
1	27108500-21	Hardware Package

To order replacement parts contact us at [info@oxcart.com](mailto:info@oxcart.com) or call 844-269-2278

# Safety & Warning Placard Diagram



ITEM	PART NUMBER	DESCRIPTION	QTY
1	P2000-123	CAUTION - Tow Warning	1
2	P2000-456	WARNING - Bed Warning	1
3	P2000-789	WARNING - Dump Instruction	1
4	P2000-101112	WARNING - Pinch Warning	1
5	P2000-9	DECAL - OxCart, Left and Right Side	2
6	P2000-OC	DECAL - OxCart, Front	1

**NOTICE**  
 Replace any missing or damaged warning placards by calling 1-844-269-2278 or email [warranty@oxcart.com](mailto:warranty@oxcart.com)

# OxCart One Year Warranty

For ONE YEAR from the date of sale, this product is warranted against defects in material or workmanship when it is operated and maintained according to all supplied instructions.

This warranty does not cover tires, wheels or paint loss, which are expendable parts or finishes that can wear from normal use within the warranty period.

This warranty does not apply to a product that is damaged or altered through misuse, abuse, corrosion, accident, modification or mishandling.

This warranty is void if this product is used for providing commercial services or if used as rented/leased equipment.

With PROOF OF SALE, a defective part will be replaced free of charge.

Warranty provisions for this cart are handled through the retailer or OxCart. To register your cart for warranty, all information below must be complete and mailed with a copy of your purchase receipt to the address below **within thirty (30) days of purchase.**

-----Cut along line and mail to the address below-----

Please take a moment to complete your warranty registration, include a copy of your purchase receipt and mail to:

**OxCart Products, P.O. Box 782167, Wichita, KS 67278**

**Name:** \_\_\_\_\_

**Email:** \_\_\_\_\_ **Address:** \_\_\_\_\_

**City:** \_\_\_\_\_ **State:** \_\_\_\_\_ **Zip:** \_\_\_\_\_ **Phone(\_\_\_\_)** \_\_\_\_\_

**Purchase Date:** \_\_\_\_\_ **Model Number:** \_\_\_\_\_ **Retailer Name:** \_\_\_\_\_

Thank you very much for your business!

Or e-mail a copy of your purchase receipt and the information above to [warranty@oxcart.com](mailto:warranty@oxcart.com). You may also register your warranty at [www.oxcart.com](http://www.oxcart.com).