



PORTABLE TWO BURNER TABLE TOP GAS GRILL

ITEM # 95541



OWNER'S MANUAL AND SAFETY INSTRUCTIONS

SAVE THIS MANUAL. KEEP THIS MANUAL FOR SAFETY WARNINGS, PRECAUTIONS, ASSEMBLY, OPERATION, INSPECTION, MAINTENANCE AND CLEANING PROCEDURES. WRITE THE PRODUCT'S SERIAL NUMBER ON THE BACK OF THE MANUAL, OR THE MONTH AND YEAR OF PURCHASE IF PRODUCT HAS NO SERIAL NUMBER

FOR QUESTIONS, PLEASE CALL CUSTOMER SERVICE: 909.628.4900

SAFETY INFORMATION

WARNING

Read all safety warnings and instructions. Failure to follow the warnings and instructions may result in injury and/or property damage. Save all warnings and instructions for future reference.

The warnings, precautions, and instructions discussed in this instruction manual cannot cover all possible conditions and situations that may occur. It must be understood by the operator that common sense and caution are factors which cannot be built into this product, but must be supplied by the operator.

- If you smell gas, shut off gas to the appliance. Extinguish any open flames. Open the lid and if the odor continues, move away from the grill and call your local fire department. Failure to follow these instructions could result in fire or explosion, which could cause property damage, personal injury or death.
- Never operate this appliance unattended.
- Never operate this appliance within 10 ft of any structure, combustible material or other gas cylinder.
- Never operate this appliance within 25 ft of any flammable liquid
- If a fire should occur, keep away from the appliance and immediately call your fire department. Do not attempt to extinguish an oil or grease fire with water.
- LP- gas supply cylinder to be used must be constructed and marked in accordance with the specifications for LP-gas cylinders of the U.S Department of Transportation (DOT) or the National Standard of Canada, CAN-B339, Cylinders, Spheres and Tubes for the Transportation of Dangerous Goods.
- The installation must conform with local codes or, in the absence of local codes, with the National Fuel Gas Code, ANSI Z223.1/NFPA 54, Storage and Handling of Liquefied Petroleum Gases, ANSI/NFPA 58; or Natural Gas and Propane Installation Code, CSA B149.1;Propane Storage and Handling, CSA B149.2.
- Table top grill is for outdoor use only. Grill should be operated in a well-ventilated space. Never operate in an enclosed space, garage or building. Your grill is not intended to be installed in or on recreational vehicles and / or boats .
- Do not install or use grill within 36" (10ft recommended) of combustible materials from back and sides of grill. Grill shall not be located under overhead surfaces (closed carport, garage, porch, patio) that can catch fire.
- Never attempt to attach this grill to the self-contained LP gas system of a camper trailer or motor home.
- It is the responsibility of the assembler/owner to assemble, install and maintain gas grill. Do not let children and pets operate or play near your table top grill. Failure to follow these instructions could result in serious personal injury and/ or property damage.
- Remove lid before lighting grill. When grill is not in use, turn off control knob on regulator.
- Carefully follow instructions in this manual for proper assembly and leak testing of your grill. Do not use grill until leak checked. If leak is detected at any time, it must be stopped and corrected before using grill further.
- Appliance area should be kept clear and free from combustible materials, gasoline, bottled gas in any from and other flammable vapors and liquids. Do not obstruct flow of combustion and ventilation air.
- Ensure proper bottle position prior to lighting your grill. Bottle should be vertical.
- Never try to light grill with lid closed! Buildup of gases is very dangerous and could cause an explosion.
- Keep any electrical cord of fuel supply hose away from any heated surfaces.
- Propane is a flammable gas and improper handling may result in explosion and/or fire and serious accident or injury.
- Appliance is not intended for commercial use or rental.

SAFETY INFORMATION

- This appliance will be during and after use. Use insulated oven mitts or gloves for protection from hot surfaces or splatter from cooking liquids.
- Do not leave your grill unattended while in operation.
- Do not use while under the influence of drugs or alcohol.
- Do not store any spare LP (propane) cylinder, full or empty, under or near your grill.
- Do not store a spare LP-gas cylinder under or near this appliance;
 - Never fill the cylinder beyond 80 percent full; and
 - If the instructions in “-b12(a)” and “-b12(b)” are not followed exactly, a fire causing death.
- **CAUTION:** Sometimes spiders and other small insects climb into the burner tube. The spiders spin webs, build nests and lay eggs. The webs or nests can be very small, but they are very strong and can block the flow of gas. Clean burner prior to use after storing, at the beginning of grilling season or after a period of one month not being used

GAS BURNER: The gas burner is constructed of tubular stainless steel and should not require maintenance other than inspection for insects/nests inside the air intake slots.

BURNER VALVE/REGULATOR: The regulator attaches directly to the end of the burner, which extends out of the right end of the grill by, a 1- pound propane cylinder threads into the regulator. Only a factory supplied gas valve/regulator must be used. (See parts list for replacement items.)

LP GAS REGULATOR CAUTION

This regulator is equipped with the required orifice and is set for the required outlet pressure for this appliance. This combination of orifice size and pressure regulation specifications provides the cooking performance intended by the Table Top Grill. Substitution of regulator by any other device or any other manufacturer is dangerous and could result in serious injury.

LP GAS REGULATOR

The gas pressure regulator is shipped loose and must be installed prior to operating your grill. This is a “slip-fit”~ requiring no tools. See assembly instructions on page 6 for proper installation.

Care should be taken to store the regulator in a clean, secure location when the grill is not in use. The threaded cylinder connection area should be kept clean and free of dust, dirt, sand or any foreign materials. Clean both the regulator and LP cylinder threaded areas prior to connecting cylinder to regulator.

PROPANE FUEL: Warning - propane is a flammable gas. Improper handling may result in an explosion and/or fire and serious accident or injury. Your grill is designed to operate with propane (LP) gas only and is equipped with the proper orifice for propane gas.

CAUTION: Do not connect this grill with any gas supply other than propane. Propane gas is heavier than air and settles in lower areas. Make certain adequate ventilation is available when using your grill. The gas cylinder may be stored outside in a well-ventilated area out of the reach of children when the grill is not in use.

LP GAS CYLINDER: This grill is designed and intended to be used with a disposable propane cylinder with a nominal fuel weight of 1 lb. Such a cylinder is approximately 4” in diameter and 7” long. The BARTON Table Top Grill does not include an LP gas cylinder. This must be purchased separately and be found at most hardware stores. The cylinder used must be constructed in accordance with the specifications for LP cylinders of the U.S. Department of Transportation (DOT) DOT-39 NRC232/290 MIIIO.

SAVE THESE WARNINGS.

SAFETY INFORMATION

The LP gas cylinder shall be used only outdoors in a well-ventilated space and not in a building, garage, or any other enclosed area. The Table Top Grill may be stored indoor if the LP gas cylinder is removed and stored outdoor. The LP gas cylinder (not included) is threaded for connection directly to the gas regulator supplied with this appliance. Care should be taken when threading the cylinder to the regulator to engage threads correctly to achieve the proper and intended connection. When disconnecting or connecting the gas cylinder, be careful that the regulator does not strike the grill, the ground, or any other surfaces. Replace the protective cap over the threaded cylinder connection when removed from grill. If any difficulty occurs when connecting or disconnecting the cylinder to the regulator assembly, contact your local gas supplier for assistance.

When re-connecting the LP gas cylinder to the regulator, be sure to hand-tighten until snug. This connection should be inspected for damage and leak tested after each re-connection.

To leak test, make a soap solution of one part liquid detergent and one part water. You will need a spray bottle, brush, or rag to apply the solution to the fitting. Bubbles indicate leaks.

THE MARKING OF INJECTORS

The marking of injectors as diagram is the injector size.

REGULATOR AND HOSE ASSEMBLY:



After the assembly has been secured, turn on the gas and check for leaks. See the following Checking for gas leaks,. Make certain this procedure is carried out in well-ventilated area and never in the presence of a flame, spark or heat source.

- Never use a dented or rusty LP tank.
- Normally, it's necessary to change the hose of regulator every 4 years.

PREPARATION

Before beginning assembly, installation or operation of product, make sure all parts are present. Compare parts with package contents list and diagram above. If any part is missing or damaged, do not attempt to assemble, install or operate the product. Contact customer service for replacement parts.

- Estimated Assembly Time: 10-15 minutes
- Tools Required for Assembly: Phillips Screwdriver and wrench (not included)

Note: The right and left sides of the grill are designated as if you are facing the front of the grill.

ASSEMBLY

Fig 1: Install the grease tray under the firebox as shown below.

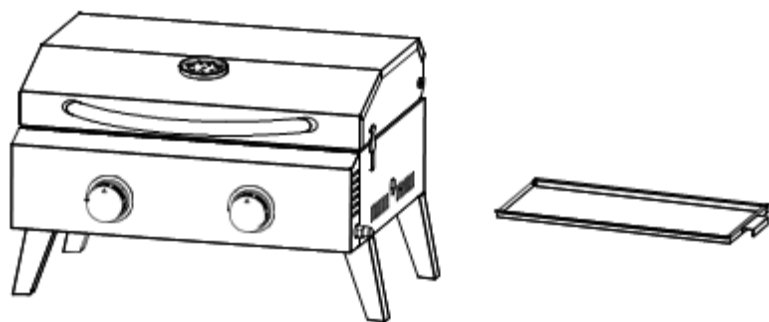
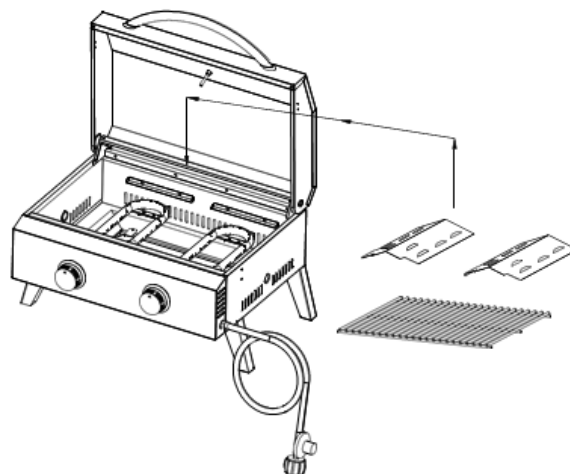


Fig 2: Put the flame tamer on the burner then put the grid on the firebox. Connect the gas hose to the unit tightly as shown below.



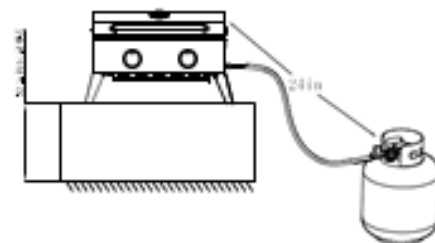
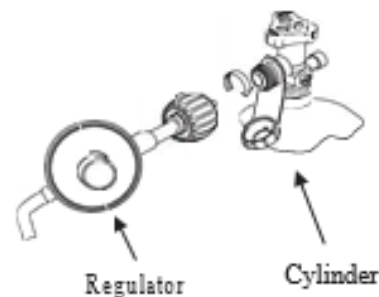
TANK INSTALLATION

If the outdoor cooking appliance is not in use, the gas must be turned "OFF" at the Liquid Propane Cylinder.

If the outdoor cooking gas appliance is not in use, the gas must be turned off at the supply cylinders. Storage of an outdoor cooking gas appliance indoors is permissible only if the cylinder(s) is/are disconnected and removed from the outdoor cooking gas appliance.

Cylinder(s) must be stored outdoors out of the reach of children and must not be stored in a building, garage or any other enclosed area.

Cylinder(s) used must include a collar to protect the cylinder valve. The specific size and capacity of 20lb. L.P. cylinder (18-1/4" (46.35cm) high, 12-1/4" (31cm) diameter) Cylinder(s) to be used only.



Note: Always keep the cylinder at 90° (upright) orientation to provide vapor withdraw. Keep the fuel supply hose away from any heated surface(s).

Place dust cap on cylinder valve outlet whenever the cylinder is not in use. Only install the type of dust cap on the cylinder valve outlet that is provided with the cylinder valve. Other types of cap or plugs may result in leakage of propane.

GAS HOOK-UP

Only the pressure regulator and hose assembly suitable for the grill should be used. Any replacement pressure regulator and hose assembly must be specified by the grill manufacturer.

This grill is configured for Propane, butane or LPG. Do not use a Natural Gas supply. Total gas consumption (per hour) with all burners set on "HI":

Main burners 20,000BTU(5.8kw).

Total 20,000BTU(5.8kw).

LEAK TESTING

GENERAL

Although all gas connections on the grill are leak tested at the factory prior to shipment, a complete gas tightness check must be performed at the installation site due to possible mishandling in shipment, or excessive pressure unknowingly being applied to the unit. Periodically check the whole system for leaks following the procedures listed below. If the smell of gas is detected at any time you should immediately check the entire system for leaks.

BEFORE TESTING

Make sure that all packing material is removed from the grill including the burner tie-down straps. **DO NOT SMOKE WHILE LEAK TESTING. NEVER PERFORM LEAK TEST WITH AN OPEN FLAME.** Make a soap solution of one part liquid detergent and one part water. You will need a spray bottle, brush, or rag to apply the solution to the fittings. For the initial leak test, make sure the L.P. cylinder is full.

TO TEST

1. Make sure the control valves are in the "OFF" position, and turn on the gas supply.
2. Check all connections from the LP gas regulator and supply valve up to and including the connection to the manifold pipe assembly (the pipe that goes to the burners). Soap bubbles will appear where a leak is present.
3. If a leak is present, immediately turn off the gas supply and tighten the leaky fittings.
4. Turn the gas back on and recheck.
5. Should the gas continue to leak from any of the fittings, turn off the gas supply and contact your local fire department.

Only those parts recommended by the manufacturer should be used on the grill. Substitution will void the warranty. Do not use the grill until all connections have been checked and do not leak.

GAS FLOW CHECK

Each grill burner is tested and adjusted at the factory prior to shipment; however, variations in the local gas supply may make it necessary to adjust the burners. The flames of the burners should be visually checked. Flames should be blue and stable with no yellow tips, excessive noise or lifting. If any of these conditions exist, check to see if the air shutter or burner ports are blocked by dirt, debris, spider webs, etc.

Check all gas supply fittings for leaks before each use. It is handy to keep a spray bottle of soapy water near the shut-off valve of the gas supply line. Spray all the fittings. Bubbles indicate leaks.



OPERATION

1. The LP gas supply cylinder(s) to be used must be:

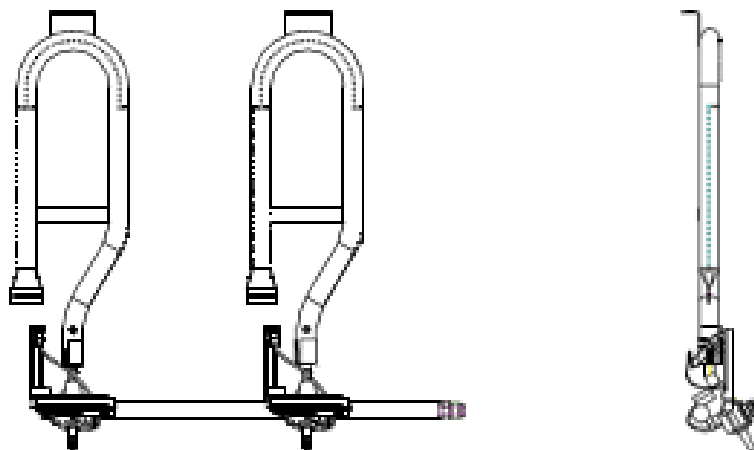
- Constructed and marked in accordance with the Specifications for LP-Gas Cylinders of the U.S. Department of Transportation (D.O.T)
- Provided with a listed overfilling prevention device.
- Provided with a cylinder connection device compatible with the connection for outdoor cooking appliances.

2. The installation must conform with local codes or, in the absence of local codes, with either the National Fuel Gas Code, ANSI Z223.1/NFPA 54, Storage and Handling of Liquefied Petroleum Gases ANSI/NFPA 58; Natural Gas and Propane Installation Code, CSA B149.1, or Propane Storage and Handling Code, B149.2, or the standard for Recreational Vehicles.

3. This outdoor cooking gas appliance is not intended to be installed in or on boats.

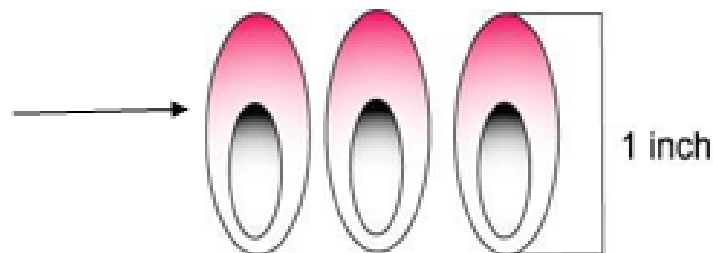
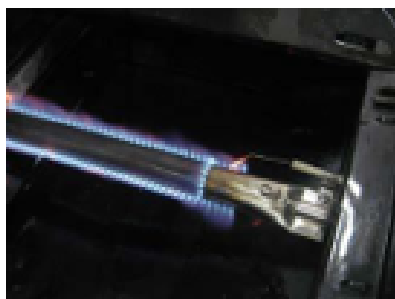
4. Checking orifices alignment with burners:

Orifices may shift during assembly and movement. Check the orifices alignment with the burners according to the following illustrations before lighting.



5. Maintenance instructions:

- Keep outdoor cooking gas appliance area clear and free from combustible materials, gasoline and other flammable vapors and liquids.
- DO NOT obstruct the flow of combustion and ventilation air.
- Keep the ventilation opening(s) of the cylinder enclosure free and clear from debris.
- Visually check burner flames.



(e) Check and clean burner/venturi tubes for insects and insect nests. A clogged tube can lead to a fire beneath the grill.

OPERATION - LIGHTING THE GRILL

Before Lighting

Inspect the gas supply hose prior to turning on the gas. If there is evidence of cuts, wear, or abrasion, it must be replaced prior to use.

Connect the regulator (type QCC791) onto the cylinder, and leak check the hose and regulator connections before operating the grill.

Only the pressure regulator and hose assembly supplied with the unit should be used. Never substitute regulators. If a replacement is necessary, contact customer service for proper replacement.

WARNING

Do not use the grill if the odor of gas is present. Contact customer service.

TO LIGHT THE MAIN BURNERS

1. READ THE OPERATING INSTRUCTIONS BEFORE LIGHTING.
2. OPEN LID DURING LIGHTING AND MAKE SURE ALL KNOBS ARE IN THE OFF POSITION.]
3. TURN ON THE CYLINDER VALVE. PUSH AND TURN BURNER KNOB SLOWLY TO "MAX" THEN RELEASE THE KNOB.
4. IF IGNITION DOES NOT OCCUR IN 5 SECONDS, TURN THE BURNER CONTROL(S) OFF, WAIT 5 MINUTES, AND REPEAT THE LIGHT PROCEDURE.

TO LIGHT THE GRILL WITH MATCH

If a burner will not light after several attempts using the control knobs, the burners may be lit with a Match.

STATEMENT:

The cylinder supply system must be arranged for vapor withdrawal.

WARNING

When lighting, keep your face and hands as far away from the grill as possible.

CAUTION

When using a match to light the grill make sure to use the attached lighting rod.

WARNING

Before lighting, please check the connection following the proper procedure. If a leak is detected turn the gas off.

CAUTION

Remove the cooking grids when using a match to light the grill.

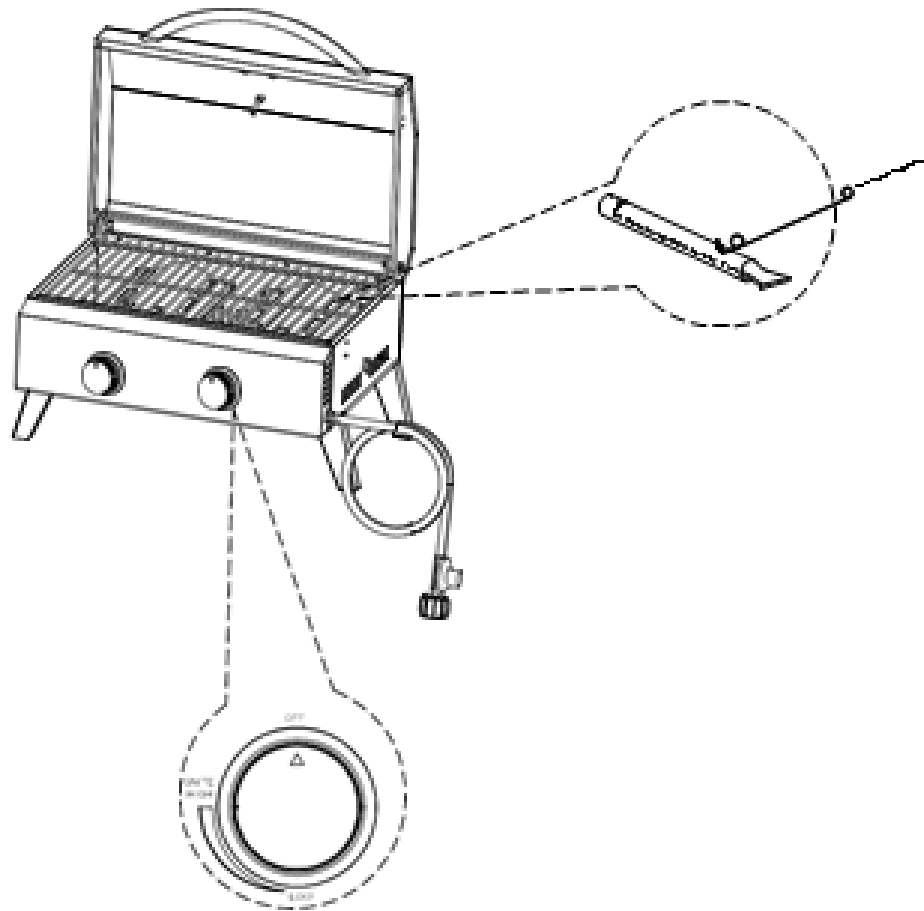
WARNING

This appliance will be hot during and after use. Use insulated oven mitts or gloves for protection from hot surfaces or splatter from cooking liquids.

If the burner is accidentally extinguished, turn the control knob(s) off, and repeat the lighting procedure.

OPERATION - LIGHTING THE GRILL

1. If you have already attempted to light the main burner with the igniter, allow 5 minutes for any accumulated gas to dissipate.
2. Insert a match into the lightingrod.
Ignite the match and insert through the cooking grids to the burner.
3. If the burner does not light within seconds turn the knob to the "OFF" position, wait 5 minutes and try again.



⚠ WARNING

Do not store a spare LP-Gas cylinder under or near the appliance.

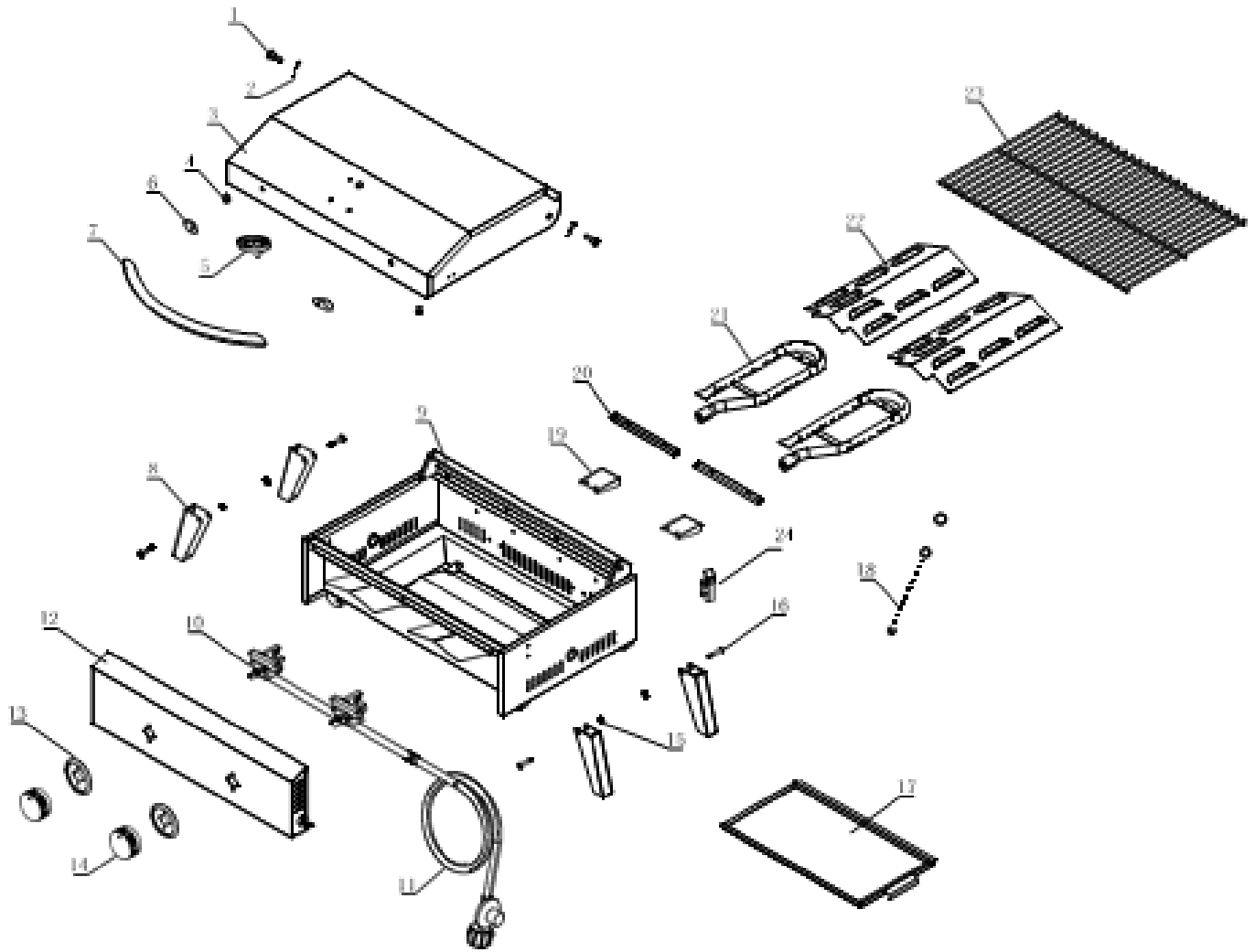
⚠ WARNING

Never fill the cylinder beyond 80 percent full.

⚠ WARNING

If the information in above warning is not followed exactly, a fire causing death or serious injury may occur.

PARTS



| NO. | Part Description | QTY. | NO. | Part Description | QTY. |
|-----|------------------------------|------|-----|-----------------------------|------|
| 1 | Main Lid Hinge Bolt | 2 | 14 | Knob | 2 |
| 2 | Lid "R." Pin | 2 | 15 | Leg Plug | 4 |
| 3 | Main Lid | 1 | 16 | Foot Stand Leg, Right | 2 |
| 4 | Lid Rubber Pad | 2 | 17 | Grease Tray | 1 |
| 5 | Temperature gauge | 1 | 18 | Lighting Rod | 1 |
| 6 | Lid Handle Insulating Spacer | 2 | 19 | Burner Supporter | 2 |
| 7 | Handle | 1 | 20 | Fixed Plate for Flame Tamer | 2 |
| 8 | Foot Stand Leg, Left | 2 | 21 | Main Burner | 2 |
| 9 | Main Firebox | 1 | 22 | Flame Tamer | 2 |
| 10 | Manifold with valve | 1 | 23 | Cooking Grid | 1 |
| 11 | Regulator and Hose | 1 | 24 | Latch | 2 |
| 12 | Control Panel | 1 | | | |
| 13 | Knob Bezel | 2 | | | |

DISCLAIMER

PLEASE READ THE FOLLOWING CAREFULLY

THE MANUFACTURER AND/OR DISTRIBUTOR HAS PROVIDED THE PARTS LIST AND ASSEMBLY DIAGRAM IN THIS MANUAL AS A REFERENCE TOOL ONLY. NEITHER THE MANUFACTURER OR DISTRIBUTOR MAKES ANY REPRESENTATION OR WARRANTY OF ANY KIND TO THE BUYER THAT HE OR SHE IS QUALIFIED TO MAKE ANY REPAIRS TO THE PRODUCT, OR THAT HE OR SHE IS QUALIFIED TO REPLACE ANY PARTS OF THE PRODUCT. IN FACT, THE MANUFACTURER AND/OR DISTRIBUTOR EXPRESSLY STATES THAT ALL REPAIRS AND PARTS REPLACEMENTS SHOULD BE UNDERTAKEN BY CERTIFIED AND LICENSED TECHNICIANS, AND NOT BY THE BUYER. THE BUYER ASSUMES ALL RISK AND LIABILITY ARISING OUT OF HIS OR HER REPAIRS TO THE ORIGINAL PRODUCT OR REPLACEMENT PARTS THERETO, OR ARISING OUT OF HIS OR HER INSTALLATION OF REPLACEMENT PARTS THERETO.

Record Product's Serial Number Here: _____

Note: If product has no serial number, record month and year of purchase instead.

Note: Some parts are listed and shown for illustration purposes only and are not available individually as replacement parts.

Questions, issues or missing parts?

Before returning to your retailer, our customer service team is here to help.



Call Us: 909.628.0880

Email Us: customer@bartonliving.com

Hours of Operation: 9am - 3pm PST Monday - Friday

MADE IN CHINA