

Post Cap Installation Instructions

Step 1

Determine your post size. Purchase post caps that correspond to the external post measurement.

Step 2

Choose from 2 installation options:

Option 1: Glue

Apply glue on inside rim of post cap then attach to post.

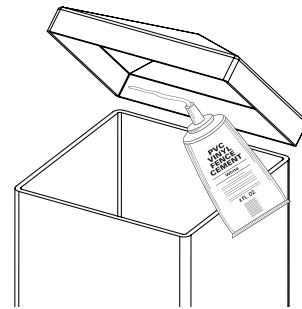
Option 2: Post Top Clips (73014080)

Attach clips to top of vinyl post.
Attach post cap to top of post.

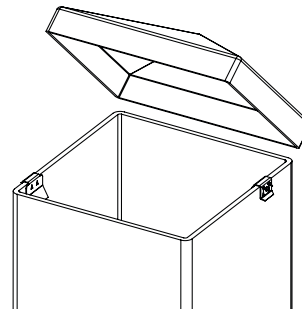
Additional installation for Solar Caps

Secure the post top using mounting screws provided and firmly snap the mounting screw clips back into place.

Option 1:
Glue



Option 2:
Post Top
Clips



Use Screws
to install
Solar Caps

