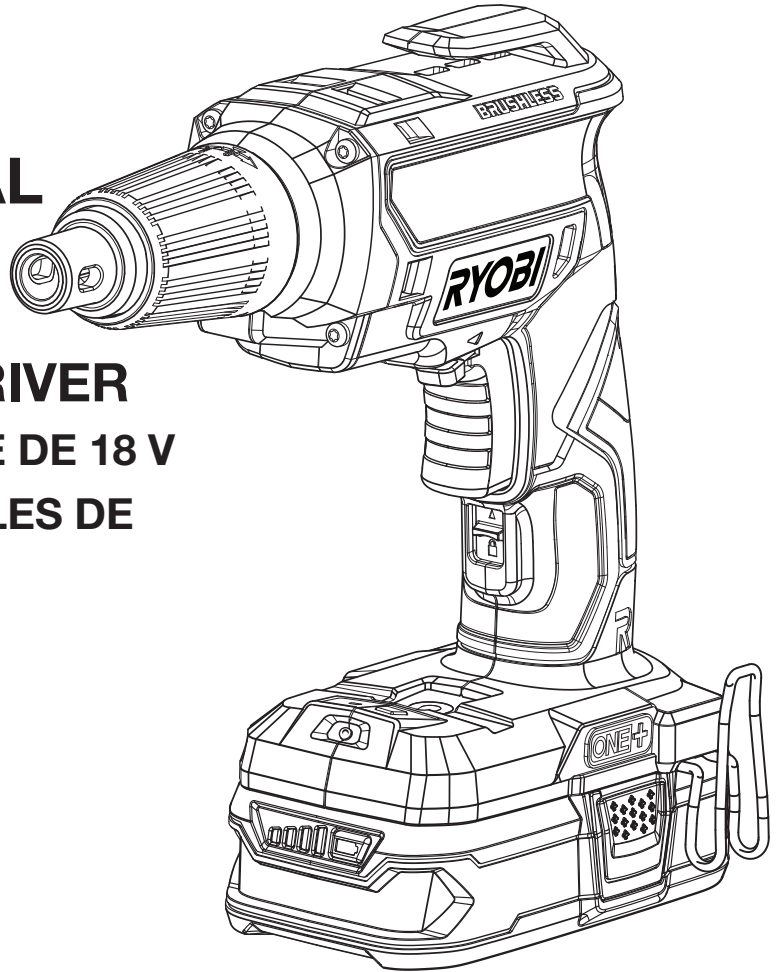




**OPERATOR'S MANUAL**  
**MANUEL D'UTILISATION**  
**MANUAL DEL OPERADOR**  
**18 V DRYWALL SCREWDRIVER**  
**VISSEUSE POUR PLACOPLÂTRE DE 18 V**  
**DESTORNILLADOR PARA PANELES DE**  
**YESO DE 18 V**

**P225**



**REGISTER YOUR TOOLS**  
<http://register.ryobitools.com>  
**1-800-525-2579**

**TABLE OF CONTENTS**

\*\*\*\*\*

- General Power Tool Safety Warnings .....2-3
- Screwdriver Safety Warnings ..... 4
- Symbols.....5
- Assembly .....6
- Operation.....6-7
- Maintenance.....8
- Illustrations .....9
- Parts Ordering and Service .....Back page

**TABLE DES MATIÈRES**

\*\*\*\*\*

- Avertissements de sécurité générales relatives aux outils électriques .....2-3
- Avertissements de sécurité relatifs tournevis ..... 4
- Symboles.....5
- Assemblage .....6
- Utilisation .....6-7
- Entretien .....8
- Illustrations .....9
- Commande de pièces et dépannage .....Page arrière

**ÍNDICE DE CONTENIDO**

\*\*\*\*\*

- Advertencias de seguridad para herramientas eléctrica..... 2-3
- Advertencias de seguridad destornillador .....4
- Símbolos .....5
- Armado .....6
- Funcionamiento ..... 6-7
- Mantenimiento .....8
- Ilustraciones .....9
- Pedidos de piezas y servicio ..... Pág. posterior

**⚠ WARNING:** To reduce the risk of injury, the user must read and understand the operator's manual before using this product.

**⚠ AVERTISSEMENT :** Pour réduire les risques de blessures, l'utilisateur doit lire et veiller à bien comprendre le manuel d'utilisation avant d'employer ce produit.

**⚠ ADVERTENCIA:** Para reducir el riesgo de lesiones, el usuario debe leer y comprender el manual del operador antes de usar este producto.

**SAVE THIS MANUAL FOR FUTURE REFERENCE**

**CONSERVER CE MANUEL POUR FUTURE RÉFÉRENCE**

**GUARDE ESTE MANUAL PARA FUTURAS CONSULTAS**

# GENERAL POWER TOOL SAFETY WARNINGS



## WARNING

Read all safety warnings, instructions, illustrations and specifications provided with this power tool. Failure to follow all instructions listed below may result in electric shock, fire and/or serious injury.

Save all warnings and instructions for future reference. The term “power tool” in the warnings refers to your mains-operated (corded) power tool or battery-operated (cordless) power tool.

## WORK AREA SAFETY

- **Keep work area clean and well lit.** Cluttered or dark areas invite accidents.
- **Do not operate power tools in explosive atmospheres, such as in the presence of flammable liquids, gases or dust.** Power tools create sparks which may ignite the dust or fumes.
- **Keep children and bystanders away while operating a power tool.** Distractions can cause you to lose control.

## ELECTRICAL SAFETY

- **Power tool plugs must match the outlet. Never modify the plug in any way. Do not use any adapter plugs with earthed (grounded) power tools.** Unmodified plugs and matching outlets will reduce risk of electric shock.
- **Avoid body contact with earthed or grounded surfaces, such as pipes, radiators, ranges and refrigerators.** There is an increased risk of electric shock if your body is earthed or grounded.
- **Do not expose power tools to rain or wet conditions.** Water entering a power tool will increase the risk of electric shock.
- **Do not abuse the cord. Never use the cord for carrying, pulling or unplugging the power tool. Keep cord away from heat, oil, sharp edges or moving parts.** Damaged or entangled cords increase the risk of electric shock.
- **When operating a power tool outdoors, use an extension cord suitable for outdoor use.** Use of a cord suitable for outdoor use reduces the risk of electric shock.
- **If operating a power tool in a damp location is unavoidable, use a ground fault circuit interrupter (GFCI) protected supply.** Use of a GFCI reduces the risk of electric shock.
- **Use battery only with charger listed.** For use with 18V lithium-ion battery packs, see tool/appliance/battery pack/charger correlation supplement 987000-432.

## PERSONAL SAFETY

- **Stay alert, watch what you are doing and use common sense when operating a power tool. Do not use a power tool while you are tired or under the influence of drugs, alcohol or medication.** A moment of inattention while operating power tools may result in serious personal injury.
- **Use personal protective equipment. Always wear eye protection.** Protective equipment such as dust mask, non-skid safety shoes, hard hat, or hearing protection used for appropriate conditions will reduce personal injuries.
- **Prevent unintentional starting. Ensure the switch is in the off-position before connecting to power source and/or battery pack, picking up or carrying the tool.** Carrying power tools with your finger on the switch or energizing power tools that have the switch on invites accidents.
- **Remove any adjusting key or wrench before turning the power tool on.** A wrench or a key left attached to a rotating part of the power tool may result in personal injury.
- **Do not overreach. Keep proper footing and balance at all times.** This enables better control of the power tool in unexpected situations.
- **Dress properly. Do not wear loose clothing or jewelry. Keep your hair, clothing and gloves away from moving parts.** Loose clothes, jewelry or long hair can be caught in moving parts.
- **If devices are provided for the connection of dust extraction and collection facilities, ensure these are connected and properly used.** Use of dust collection can reduce dust-related hazards.
- **Do not let familiarity gained from frequent use of tools allow you to become complacent and ignore tool safety principles.** A careless action can cause severe injury within a fraction of a second.
- **Do not wear loose clothing or jewelry.** Contain long hair. Loose clothes, jewelry, or long hair can be drawn into air vents.
- **Do not use on a ladder or unstable support.** Stable footing on a solid surface enables better control of the power tool in unexpected situations.

## POWER TOOL USE AND CARE

- **Do not force the power tool. Use the correct power tool for your application.** The correct power tool will do the job better and safer at the rate for which it was designed.
- **Do not use the power tool if the switch does not turn it on and off.** Any power tool that cannot be controlled with the switch is dangerous and must be repaired.
- **Disconnect the plug from the power source and/or remove the battery pack, if detachable, from the power tool before making any adjustments, changing accessories, or storing power tools.** Such preventive safety measures reduce the risk of starting the power tool accidentally.
- **Store idle power tools out of the reach of children and do not allow persons unfamiliar with the power tool or these instructions to operate the power tool.** Power tools are dangerous in the hands of untrained users.

# GENERAL POWER TOOL SAFETY WARNINGS

- **Maintain power tools and accessories.** Check for misalignment or binding of moving parts, breakage of parts and any other condition that may affect the power tool's operation. If damaged, have the power tool repaired before use. Many accidents are caused by poorly maintained power tools.
  - **Keep cutting tools sharp and clean.** Properly maintained cutting tools with sharp cutting edges are less likely to bind and are easier to control.
  - **Use the power tool, accessories and tool bits etc. in accordance with these instructions, taking into account the working conditions and the work to be performed.** Use of the power tool for operations different from those intended could result in a hazardous situation.
  - **Keep handles and grasping surfaces dry, clean and free from oil and grease.** Slippery handles and grasping surfaces do not allow for safe handling and control of the tool in unexpected situations.
- ## BATTERY TOOL USE AND CARE
- **Recharge only with the charger specified by the manufacturer.** A charger that is suitable for one type of battery pack may create a risk of fire when used with another battery pack.
  - **Use power tools only with specifically designated battery packs.** Use of any other battery packs may create a risk of injury and fire.
- **When battery pack is not in use, keep it away from other metal objects, like paper clips, coins, keys, nails, screws or other small metal objects, that can make a connection from one terminal to another.** Shorting the battery terminals together may cause burns or a fire.
  - **Under abusive conditions, liquid may be ejected from the battery; avoid contact. If contact accidentally occurs, flush with water. If liquid contacts eyes, additionally seek medical help.** Liquid ejected from the battery may cause irritation or burns.
  - **Do not use a battery pack or tool that is damaged or modified.** Damaged or modified batteries may exhibit unpredictable behavior resulting in fire, explosion, or risk of injury.
  - **Do not expose a battery pack or tool to fire or excessive temperature.** Exposure to fire or temperature above 265° F may cause explosion.
  - **Follow all charging instructions and do not charge the battery pack or tool outside the temperature range specified in the instructions.** Charging improperly or at temperatures outside the specified range may damage the battery and increase the risk of fire.

## SERVICE




- **Have your power tool serviced by a qualified repair person using only identical replacement parts.** This will ensure that the safety of the power tool is maintained.
- **Never service damaged battery packs.** Service of battery packs should only be performed by the manufacturer or authorized service provider.

# SCREWDRIVER SAFETY WARNINGS






- **Hold the power tool by insulated gripping surfaces, when performing an operation where the fastener may contact hidden wiring.** Fasteners contacting a “live” wire may make exposed metal parts of the power tool “live” and could give the operator an electric shock.
- **Know your power tool. Read operator’s manual carefully. Learn its applications and limitations, as well as the specific potential hazards related to this power tool.** Following this rule will reduce the risk of electric shock, fire, or serious injury.
- **Always wear eye protection with side shields marked to comply with ANSI Z87.1 when assembling parts, operating the tool, or performing maintenance.** Following this rule will reduce the risk of serious personal injury.
- **Protect your lungs. Wear a face or dust mask if the operation is dusty.** Following this rule will reduce the risk of serious personal injury.
- **Protect your hearing. Wear hearing protection during extended periods of operation.** Following this rule will reduce the risk of serious personal injury.
- **Battery tools do not have to be plugged into an electrical outlet; therefore, they are always in operating condition. Be aware of possible hazards when not using your battery tool or when changing accessories.** Following this rule will reduce the risk of electric shock, fire, or serious personal injury.
- **Do not place battery tools or their batteries near fire or heat.** This will reduce the risk of explosion and possibly injury.
- **Do not crush, drop or damage battery pack. Do not use a battery pack or charger that has been dropped or received a sharp blow.** A damaged battery is subject to explosion. Properly dispose of a dropped or damaged battery immediately.
- **Batteries can explode in the presence of a source of ignition, such as a pilot light.** To reduce the risk of serious personal injury, never use any cordless product in the presence of open flame. An exploded battery can propel debris and chemicals. If exposed, flush with water immediately.
- **Do not charge battery tool in a damp or wet location. Do not use, store, or charge battery packs or products in locations where the temperature is less than 50°F or more than 100°F.** Do not store outside or in vehicles.
- **Under extreme usage or temperature conditions, battery leakage may occur. If liquid comes in contact with your skin, wash immediately with soap and water. If liquid gets into your eyes, flush them with clean water for at least 10 minutes, then seek immediate medical attention.** Following this rule will reduce the risk of serious personal injury.
- **Save these instructions.** Refer to them frequently and use them to instruct others who may use this tool. If you loan someone this tool, loan them these instructions also.

# SYMBOLS

The following signal words and meanings are intended to explain the levels of risk associated with this product.

SYMBOL	SIGNAL	MEANING
	<b>DANGER:</b>	Indicates an hazardous situation, which, if not avoided, will result in death or serious injury.
	<b>WARNING:</b>	Indicates a hazardous situation, which, if not avoided, could result in death or serious injury.
	<b>CAUTION:</b>	Indicates a hazardous situation, that, if not avoided, may result in minor or moderate injury.
	<b>NOTICE:</b>	(Without Safety Alert Symbol) Indicates information considered important, but not related to a potential injury (e.g. messages relating to property damage).

Some of the following symbols may be used on this product. Please study them and learn their meaning. Proper interpretation of these symbols will allow you to operate the product better and safer.

SYMBOL	NAME	DESIGNATION/EXPLANATION
	Safety Alert	Indicates a potential personal injury hazard.
	Read Operator's Manual	To reduce the risk of injury, user must read and understand operator's manual before using this product.
	Eye Protection	Always wear eye protection with side shields marked to comply with ANSI Z87.1.
	Wet Conditions Alert	Do not expose to rain or use in damp locations.
	Recycle Symbol	This product uses lithium-ion (Li-Ion) batteries. Local, state or federal laws may prohibit disposal of batteries in ordinary trash. Consult your local waste authority for information regarding available recycling and/or disposal options.
V	Volts	Voltage
==	Direct Current	Type or a characteristic of current
$n_0$	No Load Speed	Rotational speed, at no load
.../min	Per Minute	Revolutions, strokes, surface speed, orbits etc., per minute

# ASSEMBLY

## WARNING:

Do not use this product if it is not completely assembled or if any parts appear to be missing or damaged. Use of a product that is not properly and completely assembled or with damaged or missing parts could result in serious personal injury.

## WARNING:

Do not attempt to modify this product or create accessories or attachments not recommended for use with this product. Any such alteration or modification is misuse and could result in a hazardous condition leading to possible serious personal injury.

If any parts are damaged or missing, please call 1-800-525-2579 for assistance.

# OPERATION

## WARNING:

Do not allow familiarity with products to make you careless. Remember that a careless fraction of a second is sufficient to inflict serious injury.

## WARNING:

Always wear eye protection with side shields marked to comply with ANSI Z87.1. Failure to do so could result in objects being thrown into your eyes resulting in possible serious injury.

## WARNING:

Do not use any attachments or accessories not recommended by the manufacturer of this product. The use of attachments or accessories not recommended can result in serious personal injury.

## APPLICATIONS

You may use this product for the purpose listed below:

- Driving screws in drywall

## INSTALLING/REMOVING THE BELT HOOK

See Figure 1, page 9.

The belt hook can be installed on either side of the tool.

- Squeeze the prongs together as shown.
- Insert the prongs into the belt hook slot on either side of the tool.
- When the belt hook is fully inserted into the slot, release the prongs.
- To remove, squeeze the prongs together and pull the belt hook out of the slot on the side of the tool.

## INSTALLING/REMOVING BATTERY PACK

See Figure 2, page 9.

- Lock the switch trigger.
- Insert the battery pack into the product as shown.

- Make sure the latches on each side of the battery pack snap into place and that battery pack is secured in the product before beginning operation.
- Depress the latches to remove the battery pack.

For complete charging instructions, see the operator's manuals for your battery pack and charger.

## LED LIGHT

See Figure 3, page 9.

The LED light, located on the front of the tool base, illuminates when the switch trigger is depressed.

The LED light illuminates only when there is a charged battery pack in the tool.

## INSTALLING/REMOVING BITS

See Figure 4, page 9.

### To install bits:

- Remove the battery pack.
- Pull the sleeve from the gear casing. The sleeve and adjustable nosepiece come off the gear casing as a set.
- Push the bit holder into the opening of the spindle until the ball lock clicks into the groove in the bit holder shank.
- Push the bit into the bit holder.
- Reattach the sleeve and adjustable nosepiece to the gear case. Align the arrow on the side the sleeve with the arrow on the gear case and push the nosepiece until it snaps into place.

### To remove bits:

- Remove the battery pack.
- Pull the sleeve from the gear casing. The sleeve and adjustable nosepiece come off the gear casing as a set.
- Push the bit holder shank toward the gear casing and remove the bit.

## STARTING/STOPPING THE SCREWDRIVER

See Figure 5, page 9.

To turn the screwdriver **ON**, depress the switch trigger. Release the switch trigger to turn the screwdriver **OFF**.

# OPERATION

## VARIABLE SPEED

The screwdriver has a variable speed switch for operator control of speed and torque limits.

Depress the switch trigger all the way for maximum speed and torque. Depress the switch trigger only part of the way for less speed and torque.

Avoid running the tool at low speeds for extended periods of time. Constant use at low speeds may cause overheating. If this occurs, cool the screwdriver by running it without a load and at full speed.

## LOCK-ON SWITCH

See Figure 6, pages 10 .

The lock-on feature is convenient for continuous driving of screws for extended periods of time.

To lock-on, depress the switch trigger, push up and hold the lock-on button located below the switch trigger, then release switch trigger. Release the lock-on button and the screwdriver will continue running.

To release the lock, depress the switch trigger and release.

## USING QUIETDRIVE MODE

See Figure 7, page 10 .

In QUIETDRIVE mode, the motor only engages when the mode is activated, the trigger is locked on and pressure is applied to the bit.

- To activate the mode, press the QUIETDRIVE button on the base of the tool. The LED indicator will show the QUIETDRIVE mode is on.

**NOTE:** The LED indicator will only remain on for 60 seconds after QUIETDRIVE mode is activated if the trigger is not locked on. QUIETDRIVE mode will remain active until it is turned off by pressing the QUIETDRIVE button.

- Engage the lock-on switch.

**NOTE:** The LED indicator will remain on for 4 hours after the lock-on switch is activated. The tool will enter sleep mode 4 hours after the last tool actuation. To reactivate the tool, cycle the trigger.

- When pressure is applied to the bit, the motor will automatically engage to drive the screw and shut off when finished.
- To turn QUIETDRIVE off, release the lock-on switch then press the QUIETDRIVE button on the base of the tool. The LED indicator will turn off.
- Before storing or transporting the tool, turn QUIETDRIVE mode off and remove the battery pack.

## DIRECTION OF ROTATION LEVER

See Figure 8, page 10.

The direction of rotation of the bit is controlled by a lever located above the switch trigger. With the screwdriver held in normal operating position, the direction of rotation lever should be positioned to the left of the switch for forward driving operation. The direction of rotation is in reverse when the lever is to the right of the switch.

**NOTE:** The screwdriver will not run unless forward/reverse lever is pushed fully to the left or right. The design of the switch will not permit changing the direction of rotation while the screwdriver is running. Release the switch trigger and allow the screwdriver to stop before changing its direction.

## SETTING DEPTH

See Figure 9, page 10.

The adjustable nosepiece will automatically drive screws to preset depths. Begin each new job by driving several test screws in scrap material to check and adjust the depth setting.

To make preset depth adjustments:

- Rotate the adjusting sleeve until you obtain the desired depth for the bit holder or screwdriver bit.
- Test drive a screw in scrap material to determine if it is correct.
- Adjust as necessary to increase or decrease the desired depth.

## DRIVING SCREWS

See Figure 10, page 10.

There are two options for gripping the handle of the screwdriver, determined by operator comfort and working angle.

The screwdriver has a variable speed switch for operator control of speed and torque limits.

- Be sure the screwdriver is in the locked-off position.
- Check the direction of rotation lever for correct setting (forward or reverse).
- Secure the workpiece. Use clamps if necessary.
- Install the battery pack.
- Depress the switch trigger to start the screwdriver. Do not lock the switch ON for jobs where the screwdriver may need to be stopped suddenly.
- Hold the screwdriver firmly and place the bit and screw at the point to be driven.

**NOTE:** The bit holder is magnetized and will hold most commercial drywall screws.

- Apply quick, snap-action type pressure to the bit. The pressure applied will engage the clutch and drive the screw.

**NOTE: MAINTENANCE INSTRUCTIONS BEGIN ON PAGE 8  
FOLLOWING FRENCH AND SPANISH LANGUAGE SECTIONS.  
ILLUSTRATIONS START ON PAGE 9.**

# AVERTISSEMENTS DE SÉCURITÉ RELATIVES AUX OUTILS ÉLECTRIQUES

## AVERTISSEMENT

**Lire les avertissements de sécurité, les instructions et les précisions et consulter les illustrations fournis avec cet outil électrique.** Le fait de ne pas se conformer à l'ensemble des consignes présentées ci-dessous risque d'entraîner des décharges électriques, un incendie et/ou des blessures graves.

**Conserver les avertissements et les instructions à des fins de référence ultérieure.** Le terme « outil motorisé », utilisé dans tous les avertissements ci-dessous désigne tout outil fonctionnant sur secteur (câblé) ou sur piles (sans fil).

## SÉCURITÉ DU LIEU DE TRAVAIL

- **Garder le lieu de travail propre et bien éclairé.** Les endroits encombrés ou sombres sont propices aux accidents.
- **Ne pas utiliser d'outils électriques dans des atmosphères explosives, par exemple en présence de liquides, gaz ou poussières inflammables.** Les outils électriques produisent des étincelles risquant d'enflammer les poussières ou vapeurs.
- **Garder les enfants et badauds à l'écart pendant l'utilisation d'un outil électrique.** Les distractions peuvent causer une perte de contrôle.

## SÉCURITÉ ÉLECTRIQUE

- **Les fiches des outils électriques doivent correspondre à la prise secteur utilisée. Ne jamais modifier la fiche, de quelque façon que ce soit. Ne jamais utiliser d'adaptateurs de fiche avec des outils mis à la terre.** Les fiches et prises non modifiées réduisent le risque de choc électrique.
- **Éviter tout contact du corps avec des surfaces mises à la terre, telles que tuyaux, radiateurs, cuisinières et réfrigérateurs.** Le risque de choc électrique est accru lorsque le corps est mis à la terre.
- **Ne pas exposer les outils électriques à l'eau ou l'humidité.** La pénétration d'eau dans ces outils accroît le risque de choc électrique.
- **Ne pas maltraiter le cordon d'alimentation. Ne jamais utiliser le cordon d'alimentation pour transporter l'outil et ne jamais débrancher ce dernier en tirant sur le cordon. Garder le cordon à l'écart de la chaleur, de l'huile, des objets tranchants et des pièces en mouvement.** Un cordon endommagé ou emmêlé accroît le risque de choc électrique.
- **Pour les travaux à l'extérieur, utiliser un cordon spécialement conçu à cet effet.** Utiliser un cordon conçu pour l'usage extérieur pour réduire les risques de choc électrique.

- **S'il est nécessaire d'utiliser l'outil électrique dans un endroit humide, employer un dispositif interrupteur de défaut à la terre (GFCI).** L'utilisation d'un GFCI réduit le risque de décharge électrique.
- **Ne recharger les piles qu'avec l'appareil indiqué. Pour utiliser l'appareil avec des piles au lithium-ion de 18 V, consulter le supplément de raccordement pour chargeur/outils/piles/appareil n° 987000-432.**

## SÉCURITÉ PERSONNELLE

- **Rester attentif, prêter attention au travail et faire preuve de bon sens lors de l'utilisation de tout outil électrique. Ne pas utiliser cet outil en état de fatigue ou sous l'influence de l'alcool, de drogues ou de médicaments.** Un moment d'inattention pendant l'utilisation d'un outil électrique peut entraîner des blessures graves.
- **Utiliser l'équipement de sécurité. Toujours porter une protection oculaire.** L'équipement de sécurité, tel qu'un masque filtrant, de chaussures de sécurité, d'un casque ou d'une protection auditive, utilisé dans des conditions appropriées réduira le risque de blessures.
- **Éviter les démarrages accidentels. S'assurer que le commutateur est en position d'arrêt avant de brancher l'outil.** Porter un outil avec le doigt sur son commutateur ou brancher un outil dont le commutateur est en position de marche peut causer un accident.
- **Retirer les clés de réglage avant de mettre l'outil en marche.** Une clé laissée sur une pièce rotative de l'outil peut causer des blessures.
- **Ne pas travailler hors de portée. Toujours se tenir bien campé et en équilibre.** Ceci permettra de mieux contrôler l'outil en cas de situation imprévue.
- **Porter une tenue appropriée. Ne porter ni vêtements amples, ni bijoux. Garder les cheveux, les vêtements et les gants à l'écart des pièces en mouvement.** Les vêtements amples, bijoux et cheveux longs peuvent se prendre dans les pièces en mouvement.
- **Si les outils sont équipés de dispositifs de dépoussiérage, s'assurer qu'ils sont connectés et correctement utilisés.** L'usage de ces dispositifs de dépoussiérage peut réduire les dangers présentés par la poussière.
- **Malgré votre expérience acquise par l'utilisation fréquente des outils, soyez toujours vigilant et respectez les principes de sécurité relatifs aux outils.** Il s'agit d'une fraction de seconde pour qu'un geste irréfléchi puisse causer de graves blessures.
- **Ne porter ni vêtements amples, ni bijoux. Attacher ou couvrir les cheveux longs.** Les vêtements amples, bijoux et cheveux longs peuvent se prendre dans les ouïes d'aération.



# AVERTISSEMENTS DE SÉCURITÉ RELATIVES AUX OUTILS ÉLECTRIQUES

- **Ne pas utiliser l'outil sur une échelle ou un support instable.** Une bonne tenue et un bon équilibre permettent de mieux contrôler l'outil en cas de situation imprévue.

## UTILISATION ET ENTRETIEN DES OUTILS ÉLECTRIQUES

- **Ne pas forcer l'outil. Utiliser l'outil approprié pour l'application.** Un outil approprié exécutera le travail mieux et de façon moins dangereuse s'il est utilisé dans les limites prévues.
- **Ne pas utiliser l'outil si le commutateur ne permet pas de le mettre en marche ou de l'arrêter.** Tout outil qui ne peut pas être contrôlé par son commutateur est dangereux et doit être réparé.
- **Débrancher l'outil et/ou retirer le bloc-piles avant d'effectuer des réglages, de changer d'accessoire ou de remiser l'outil.** Ces mesures de sécurité préventives réduisent les risques de démarrage accidentel de l'outil.
- **Ranger les outils motorisés hors de la portée des enfants et ne laisser personne n'étant pas familiarisé avec l'outil ou ces instructions utiliser l'outil.** Dans les mains de personnes n'ayant pas reçu des instructions adéquates, les outils sont dangereux.
- **Entretenir les outils motorisés. Vérifier qu'aucune pièce mobile n'est mal alignée ou bloquée, qu'aucune pièce n'est brisée et s'assurer qu'aucun autre problème ne risque d'affecter le bon fonctionnement de l'outil. En cas de dommages faire réparer l'outil avant de l'utiliser de nouveau.** Beaucoup d'accidents sont causés par des outils mal entretenus.
- **Garder les outils bien affûtés et propres.** Des outils correctement entretenus et dont les tranchants sont bien affûtés risquent moins de se bloquer et sont plus faciles à contrôler.
- **Utiliser l'outil, les accessoires et embouts, etc. conformément à ces instructions pour les applications pour lesquelles ils sont conçus, en tenant compte des conditions et du type de travail à exécuter.** L'usage d'un outil motorisé pour des applications pour lesquelles il n'est pas conçu peut être dangereux.
- **Gardez les poignées et les surfaces de prise sèches, propres et exemptes d'huile et de graisse.** Des poignées et des surfaces de prise glissantes empêchent la manipulation et le contrôle sécuritaires de l'outil dans des circonstances imprévues.

## UTILISATION ET ENTRETIEN DE LA PILE

- **Ne recharger qu'avec l'appareil spécifié par le fabricant.** Un chargeur approprié pour un type de pile peut créer un risque d'incendie s'il est utilisé avec un autre type de pile.
- **Utiliser exclusivement le bloc-pile spécifiquement indiqué pour l'outil.** L'usage de tout autre bloc peut créer un risque de blessures et d'incendie.
- **Lorsque le bloc-piles n'est pas en usage, le garder à l'écart d'articles tels qu'attaches trombones, pièces de monnaie, clous, vis ou autres petits objets métalliques risquant d'établir le contact entre les deux bornes.** La mise en court-circuit des bornes de piles peut causer des étincelles, des brûlures ou un incendie.
- **En cas d'usage abusif, du liquide peut s'échapper des piles. Éviter tout contact avec ce liquide. En cas de contact accidentel, rincer immédiatement les parties atteintes avec de l'eau. En cas d'éclaboussure dans les yeux consulter un médecin.** Le liquide s'échappant des piles peut causer des irritations ou des brûlures.
- **Ne pas utiliser un bloc-piles ou un outil endommagé ou modifié.** Les piles endommagées ou modifiées peuvent produire un comportement imprévisible pouvant provoquer un incendie, une explosion ou des blessures.
- **Ne pas exposer le bloc-piles ou l'outil près d'un incendie ou à une température extrême.** L'exposition à un incendie ou à une température supérieure à 130 °C (265 °F) représente un risque d'explosion.
- **Suivre toutes les instructions afférentes à la recharge et ne pas recharger le bloc-piles ou l'outil hors des températures spécifiées dans les instructions.** Une recharge incorrecte ou hors des températures spécifiées peut endommager la pile et augmenter les risques de feu.

## DÉPANNAGE




- **Les réparations doivent être confiées à un technicien qualifié, utilisant exclusivement des pièces identiques à celles d'origine.** Ceci assurera le maintien de la sécurité de l'outil.
- **Ne réparez jamais de blocs-piles endommagés.** Seuls le fabricant et les fournisseurs de service autorisés doivent effectuer la réparation ou l'entretien des blocs-piles.

# AVERTISSEMENTS DE SÉCURITÉ RELATIFS TOURNEVIS






- **Lorsque l'outil est utilisé pour un travail risquant de le mettre en contact avec des fils électriques cachés, le tenir par les surfaces de prise isolées.** Le contact d'un dispositif de fixation avec un fil sous tension expose les pièces métalliques de l'outil et peut électrocuter l'utilisateur.
- **Apprendre à connaître l'outil. Lire attentivement le manuel d'utilisation. Apprendre les applications et les limites de l'outil, ainsi que les risques spécifiques relatifs à son utilisation.** Le respect de cette consigne réduira les risques d'incendie, de choc électrique et de blessures graves.
- **Toujours porter une protection oculaire munie d'écrans latéraux certifiée conforme à la norme ANSI Z87.1 lors du montage des pièces, du fonctionnement de l'outil ou au moment de l'entretien.** Le respect de cette règle réduira les risques de blessures graves.
- **Protection respiratoire. Porter un masque facial ou un masque antipoussière si le travail produit de la poussière.** Le respect de cette consigne réduira les risques de blessures graves.
- **Protection auditive. Porter une protection auditive lors de l'utilisation prolongée.** Le respect de cette règle réduira les risques de blessures graves.
- **Les outils fonctionnant sur piles n'ayant pas besoin d'être branchés sur une prise secteur, ils sont toujours en état de fonctionnement. Tenir compte des dangers possibles lorsque l'outil n'est pas en usage et lors du remplacement des piles.** Le respect de cette consigne réduira les risques d'incendie, de choc électrique et de blessures graves.
- **Ne pas placer les outils électriques sans fil ou leurs piles à proximité de flammes ou d'une source de chaleur.** Ceci réduira les risques d'explosion et de blessures.
- **Ne pas écraser, faire tomber ou endommager le bloc-piles. Ne jamais utiliser un bloc-piles ou un chargeur qui est tombé, a été écrasé, a reçu un choc violent ou a été endommagé de quelque façon que ce soit.** Une pile endommagée risque d'exploser. Éliminer immédiatement toute pile endommagée, selon une méthode appropriée.
- **Les piles peuvent exploser en présence d'une source d'allumage, telle qu'une veilleuse.** Pour réduire les risques de blessures graves, ne jamais utiliser un appareil sans fil, quel qu'il soit, en présence d'une flamme vive. En explosant, une pile peut projeter des débris et des produits chimiques. En cas d'exposition, rincer immédiatement les parties atteintes avec de l'eau.
- **Ne pas recharger un outil fonctionnant sur piles dans un endroit humide ou mouillé. Ne pas utiliser, remiser ou charger le bloc-piles ou produits dans des emplacements où la température est inférieure 10 °C (50 °F) à ou supérieure à 38 °C (100 °F).** Ne pas ranger l'outil à l'extérieur ou dans un véhicule.
- **Si l'outil est utilisé de façon intensive ou sous des températures extrêmes, des fuites de pile peuvent se produire. En cas de contact du liquide avec la peau, rincer immédiatement la partie atteinte avec de l'eau. En cas d'éclaboussure dans les yeux, les rincer à l'eau fraîche pendant au moins 10 minutes, puis contacter immédiatement un médecin.** Le respect de cette règle réduira les risques de blessures graves.
- **Conserver ces instructions.** Les consulter fréquemment et les utiliser pour instruire les autres utilisateurs éventuels. Si cet outil est prêté, il doit être accompagné de ces instructions.

# SYMBOLES

Les termes de mise en garde suivants et leur signification ont pour but d'expliquer le degré de risques associé à l'utilisation de ce produit.

SYMBOLE	SIGNAL	SIGNIFICATION
	<b>DANGER :</b>	Indique une situation dangereuse qui, si elle n'est pas évitée, aura pour conséquences des blessures graves ou mortelles.
	<b>AVERTISSEMENT :</b>	Indique une situation dangereuse qui, si elle n'est pas évitée, pourrait entraîner des blessures graves ou mortelles.
	<b>ATTENTION :</b>	Indique une situation dangereuse qui, si elle n'est pas évitée, pourrait entraîner des blessures légères ou de gravité modérée.
	<b>AVIS :</b>	(Sans symbole d'alerte de sécurité) Indique les informations jugées importantes sans toutefois représenter un risque de blessure (ex. : messages concernant les dommages matériels).

Certains des symboles ci-dessous peuvent être utilisés sur produit. Veiller à les étudier et à apprendre leur signification. Une interprétation correcte de ces symboles permettra d'utiliser produit plus efficacement et de réduire les risques.

SYMBOLE	NOM	DÉSIGNATION / EXPLICATION
	Symbole d'alerte de sécurité	Indique un risque de blessure potentiel.
	Lire manuel d'utilisation	Pour réduire les risques de blessures, l'utilisateur doit lire et veiller à bien comprendre le manuel d'utilisation avant d'utiliser ce produit.
	Protection oculaire	Toujours porter une protection oculaire avec écrans latéraux certifiée conforme à la norme ANSI Z87.1.
	Avertissement concernant l'humidité	Ne pas exposer à la pluie ou l'humidité.
	Symbole de recyclage	Ce produit utilise les piles de lithium-ion (Li-ion). Les réglementations locales ou gouvernementales peuvent interdire de jeter les piles dans les ordures ménagères. Consulter les autorités locales compétentes pour les options de recyclage et/ou l'élimination.
V	Volts	Tension
min	Minutes	Temps
—	Courant continu	Type ou caractéristique du courant
$n_0$	Vitesse à vide	Vitesse de rotation à vide
.../min	Par minute	Tours, coups, vitesse périphérique, orbites, etc., par minute

# ASSEMBLAGE

## AVERTISSEMENT :

Ne pas utiliser le produit s'il n'est pas complètement assemblé ou si des pièces semblent manquantes ou endommagées. L'utilisation d'un produit dont l'assemblage est incorrect ou incomplet ou comportant des pièces endommagées ou absentes représente un risque de blessures graves.

## AVERTISSEMENT :

Ne pas essayer de modifier cet outil ou de créer des pièces et accessoires non recommandés. De telles altérations ou modifications sont considérées comme un usage abusif et peuvent créer des conditions dangereuses, risquant d'entraîner des blessures graves.

Si des pièces manquent ou sont endommagées, veuillez appeler au 1-800-525-2579 pour obtenir de l'aide.

# UTILISATION

## AVERTISSEMENT :

Ne pas laisser la familiarité avec l'outil faire oublier la prudence. Ne pas oublier qu'une fraction de seconde d'inattention peut entraîner des blessures graves.

## AVERTISSEMENT :

Toujours porter une protection oculaire certifiée conforme à la norme ANSI Z87.1. Si cette précaution n'est pas prise, des objets peuvent être projetés dans les yeux et causer des lésions graves.

## AVERTISSEMENT :

Ne pas utiliser d'outils ou accessoires non recommandés pour cet produit. L'utilisation de pièces et accessoires non recommandés peut entraîner des blessures graves.

## APPLICATIONS

Cet produit peut être utilisé pour les applications cidesous:

- Vissage dans une cloison sèche

## INSTALLER/RETIRER LE CROCHET POUR CEINTURE

Voir la figure 1, page 9.

Le crochet pour ceinture peut être installé des deux côtés de l'outil.

- Serrer les tiges ensemble, comme illustré.
- Insérer les tiges dans le crochet pour ceinture d'un côté ou de l'autre de l'outil.
- Lorsque le crochet pour ceinture est bien inséré dans la fente, relâcher les tiges.
- Pour le retirer, serrer les tiges ensemble et tirer sur le crochet pour ceinture afin de le faire sortir de la fente située sur le côté de l'outil.

## INSTALLATION/RETRAIT DU BLOC-PILES

Voir la figure 2, page 9.

- Verrouiller la gâchette.
- Insérer la pile dans l'outil comme illustré.
- S'assurer que les loquets de chaque côté de la pile s'enclenchent en place et que la pile est bien fixée à l'outil avant de mettre l'outil en marche.
- Relâcher les loquets pour retirer le bloc-piles.

Pour prendre connaissance des consignes de chargement, consulter le manuel d'utilisation des piles et des chargeurs.

## LAMPE DÉL

Voir la figure 3, page 9.

La lampe DÉL, située à l'avant de la base de l'outil, s'allume automatiquement lorsque vous appuyez sur la gâchette de commutateur de la poignée.

Le ampoule à DEL faisceaux s'allume seulement lorsqu'un bloc-piles chargé se trouve dans l'outil.

## INSTALLATION ET RETRAIT DES FORETS

Voir la figure 4, page 9.

### Installation des forets :

- Retirer le bloc de piles.
- Retirer la gaine du boîtier de réduction. La gaine et la butée réglable s'enlèvent du boîtier de réduction en un morceau.
- Pousser le porte-embout dans l'ouverture de la mèche jusqu'à ce que le verrou à bille s'enclenche dans la fente de la tige du porte-embout.
- Pousser l'embout dans le porte-embout.
- Réinstaller la gaine et la butée réglable sur le boîtier de réduction. Aligner la flèche sur le côté de la gaine avec la flèche qui se trouve sur le boîtier de réduction, et pousser sur la butée jusqu'à ce qu'elle s'enclenche.

### Retrait des forets :

- Retirer le bloc de piles.
- Retirer la gaine du boîtier de réduction. La gaine et la butée réglable s'enlèvent du boîtier de réduction en un morceau.
- Pousser la tige du porte-embout vers le boîtier de réduction et retirer l'embout.

# UTILISATION

## MISE EN MARCHÉ ET ARRÊT DU TOURNEVIS

Voir la figure 5, page 9.

Pour mettre le tournevis en **MARCHE**, appuyer sur la gâchette.  
Pour **ARRÊTER** le tournevis, relâcher la gâchette.

## VITESSE VARIABLE

Ce tournevis est équipé d'une commande de vitesse variable permettant à l'opérateur d'ajuster la vitesse de rotation et la limite de couple.

Lorsque la gâchette est enfoncée à fond, la vitesse de rotation et le couple sont à leur maximum. Relâcher partiellement la gâchette pour réduire la vitesse de rotation et le couple.

Éviter d'utiliser l'outil à basse vitesse pendant des périodes prolongées. L'usage prolongé à basse vitesse peut causer une surchauffe. Si l'outil surchauffe, le refroidir en le laissant tourner à vide et à la vitesse maximum.

## BOUTON DE VERROUILLAGE

Voir la figure 6, page 9.

La fonction de verrouillage est pratique pour le vissage continu sur des périodes prolongées.

Pour activer le verrouillage, appuyer sur la gâchette, pousser le bouton de verrouillage vers le haut situé sous la gâchette et le tenir, puis relâcher la gâchette. Relâcher le bouton de verrouillage et le tournevis continuera de fonctionner.

Pour désengager le verrouillage, appuyer sur la gâchette, puis la relâcher.

## UTILISER LE MODE QUIETDRIVE

Voir la figure 7, page 10.

En mode QUIETDRIVE, le moteur s'enclenche seulement lorsque le mode est activé, que la gâchette est verrouillée en position de marche et qu'on applique de la pression sur l'embout.

- Pour activer le mode, appuyer sur le bouton QUIETDRIVE à la base de l'outil. L'indicateur à DEL montrera que le mode QUIETDRIVE est activé.

**NOTE:** L'indicateur à DEL restera allumé pendant seulement 60 secondes après l'activation du mode QUIETDRIVE si la gâchette n'est pas verrouillée. Le mode QUIETDRIVE restera activé jusqu'à ce qu'on l'éteigne en appuyant sur le bouton QUIETDRIVE.

- Activer le commutateur de verrouillage.

**NOTE:** L'indicateur à DEL restera allumé pendant quatre heures après l'activation du commutateur de verrouillage. L'outil tombera en mode veille quatre heures après la dernière utilisation de l'outil. Pour réactiver l'outil, activer la gâchette.

- Lorsqu'une pression est appliquée à l'embout, le moteur s'activera automatiquement pour visser la vis et s'arrêtera lorsque la manœuvre sera terminée.
- Pour désactiver la mode QUIETDRIVE, relâcher le commutateur de verrouillage avant d'appuyer sur le bouton QUIETDRIVE situé à la base de l'outil. L'indicateur à DEL s'éteindra.
- Avant de ranger ou de transporter l'outil, désactiver le mode QUIETDRIVE et retirer le bloc-piles.

## LEVIER DE SENS DE ROTATION

Voir la figure 8, page 10.

Le sens de rotation est commandé par un levier situé au-dessus de la gâchette. Le tournevis étant tenu en position normale d'utilisation, le sélecteur de sens de rotation doit être tourné vers la gauche pour visser. Le sens de rotation est inversé lorsque le levier est tourné vers la droite.

**NOTE :** Le tournevis ne peut fonctionner que si le sélecteur de sens de rotation est poussé à fond vers la gauche ou la droite. Le commutateur ne permet pas d'inverser le sens de rotation lorsque le moteur tourne. Relâcher la gâchette et laisser le moteur s'arrêter avant d'inverser le sens de rotation.

## RÉGLAGE DE PROFONDEUR

Voir la figure 9, page 10.

La tête réglable d'enfoncer les vis à une profondeur prédéterminée. De faire un essai ane enfonçant plusieurs vis dans une chute afin de vérifier et régler la profondeur de vissage.

Pour régler la profondeur de vissage :

- Tourner le manchon de réglage pour obtenir la profondeur voulue pour le porte-embout ou l'embout.
- Faire un essai dans une chute pour déterminer si le réglage est correct.
- Ajuster selon le besoin pour réduire ou augmenter la profondeur.

## VISSAGE

Voir la figure 10, page 10.

La poignée du tournevis peut être réglée sur deux positions, en fonction du confort d'utilisation et de l'angle de vissage.

Ce tournevis est équipé d'une commande de vitesse variable permettant à l'opérateur d'ajuster la vitesse de rotation et la limite de couple.

- S'assurer que la visseuse est en position verrouillée.
- Vérifier la position du sélecteur de rotation (rotation avant ou arrière).
- Immobiliser la pièce à travailler. Au besoin, utiliser des serre-joint.
- Réinstaller le bloc-piles.
- Appuyer sur la gâchette pour mettre le foret en rotation. Ne pas verrouiller la gâchette si le travail peut exiger d'ARRÊTER (ON) immédiatement le tournevis.
- Tenir le tournevis fermement et placer la pointe du foret à l'endroit où la vis doit être enfoncée.  
**NOTE :** Le porte-embout est aimanté et peut maintenir la plupart des vis à cloison sèche du commerce.
- Pousser l'outil d'un coup sec. La pression ainsi appliquée engage l'embrayage, pour enfoncer la vis.

**NOTE : INSTRUCTIONS DE MAINTENANCE  
COMMENCER À LA PAGE 9 APRÈS LA  
SECTION ESPAGNOL.**

**ILLUSTRATIONS COMMENÇANT  
COMMENÇANT SUR 9 DE PAGE.**

# ADVERTENCIAS DE SEGURIDAD PARA HERRAMIENTAS ELÉCTRICAS



## ADVERTENCIA

Lea todas las advertencias, instrucciones, ilustraciones y especificaciones proporcionadas con esta herramienta eléctrica. No seguir las instrucciones indicadas a continuación puede provocar descargas eléctricas, incendios o lesiones graves.

Guarde todas las advertencias e instrucciones para consultarlas en el futuro. El término “herramienta eléctrica” en las advertencias se refiere a las herramientas eléctricas que funcionan con corriente (con cordón) o las que funcionan con batería (inalámbricas).

## ÁREA DE TRABAJO

- **Mantenga limpia y bien iluminada el área de trabajo.** Un área de trabajo mal despejada o mal iluminada propicia accidentes.
- **No utilice herramientas motorizadas en atmósferas explosivas, como las existentes alrededor de líquidos, gases y polvos inflamables.** Las herramientas eléctricas generan chispas que pueden encender el polvo y los vapores inflamables.
- **Mantenga alejados a los niños y circunstancias al maniobrar una herramienta eléctrica.** Toda distracción puede causar la pérdida del control de la herramienta.

## SEGURIDAD ELÉCTRICA

- **Las clavijas de las herramientas eléctricas deben corresponder a las tomas de corriente donde se conectan. Nunca modifique la clavija de ninguna forma. No utilice ninguna clavija adaptadora con herramientas eléctricas dotadas de contacto a tierra.** Conectando las clavijas originales en las tomas de corriente donde corresponden se disminuye el riesgo de una descarga eléctrica.
- **Evite el contacto del cuerpo con las superficies de objetos conectados a tierra, como las tuberías, radiadores, estufas y refrigeradores.** Existe un mayor riesgo de descargas eléctricas si el cuerpo está haciendo tierra.
- **No exponga las herramientas eléctricas a la lluvia ni a condiciones de humedad.** La introducción de agua en una herramienta eléctrica aumenta el riesgo de descargas eléctricas.
- **No maltrate el cordón eléctrico. Nunca utilice el cordón para trasladar, desconectar o tirar de la herramienta eléctrica. Mantenga el cordón lejos del calor, aceite, bordes afilados y piezas móviles.** Los cordones eléctricos dañados o enredados aumentan el riesgo de descargas eléctricas.
- **Al utilizar una herramienta eléctrica a la intemperie, use un cordón de extensión apropiado para el**

exterior. Usando un cordón adecuado para el exterior se disminuye el riesgo de descargas eléctricas.

- **Si debe operar una herramienta en lugares húmedos, use un suministro protegido por un interruptor de circuito con pérdida a tierra (GFCI).** El uso de un GFCI reduce el riesgo de descargas eléctricas.
- **Cargue las baterías solamente con el cargador indicado.** Para utilizar con paquetes de baterías de iones de litio de 18 V, consulte el folleto de la herramienta/aparato/paquete de baterías/cargador complementario 987000-432.

## SEGURIDAD PERSONAL

- **Permanezca alerta, preste atención a lo que esté haciendo y aplique el sentido común al utilizar herramientas eléctricas. No utilice la herramienta eléctrica si está cansado o se encuentra bajo los efectos de alguna droga, alcohol o medicamento.** Un momento de inatención al utilizar una herramienta eléctrica puede causar lesiones corporales serias.
- **Utilice protección el equipo otros. Siempre póngase protección ocular.** El uso de equipo protector como mascarilla para el polvo, calzado de seguridad, casco y protección para los oídos en las circunstancias donde corresponda disminuye el riesgo de lesiones.
- **Evite que la herramienta se active accidentalmente. Asegúrese de que el interruptor esté en la posición de apagado antes de conectar la herramienta a un suministro de corriente o de colocar un paquete de baterías.** Transportar herramientas eléctricas con el dedo en el interruptor o enchufar herramientas eléctricas que tienen el interruptor encendido puede ocasionar accidentes.
- **Retire toda llave o herramienta de ajuste antes de encender la herramienta eléctrica.** Toda llave o herramienta de ajuste dejada en una pieza giratoria de la herramienta eléctrica puede causar lesiones.
- **No estire el cuerpo para alcanzar mayor distancia. Mantenga una postura firme y buen equilibrio en todo momento.** De esta manera se logra un mejor control de la herramienta eléctrica en situaciones inesperadas.
- **Vístase adecuadamente. No vista ropas holgadas ni joyas. Mantenga el cabello, la ropa y los guantes alejados de las piezas móviles.** Las ropas holgadas y las joyas, así como el cabello largo, pueden engancharse en las piezas móviles.
- **Si se suministran dispositivos para conectar mangueras de extracción y captación de polvo, asegúrese de que éstas estén bien conectadas y se usen correctamente.** El uso de la captación de polvo puede reducir los peligros relacionados con éste.
- **No permita que la familiaridad obtenida por el uso frecuente de las herramientas lo vuelva complaciente e ignore los principios de seguridad de las herramientas.**

# ADVERTENCIAS DE SEGURIDAD PARA HERRAMIENTAS ELÉCTRICAS

Una acción descuidada puede causar lesiones graves en una fracción de segundo.

- **No vista ropas holgadas ni joyas. Recójase el cabello si está largo.** Las ropas holgadas y las joyas, así como el cabello largo, pueden resultar atraídas hacia el interior de las aberturas de ventilación.
- **No utilice la unidad al estar en una escalera o en un soporte inestable.** Una postura estable sobre una superficie sólida permite un mejor control de la herramienta eléctrica en situaciones inesperadas.

## EMPLEO Y CUIDADO DE LA HERRAMIENTA ELÉCTRICA

- **No fuerce la herramienta eléctrica. Utilice la herramienta eléctrica adecuada para cada trabajo.** La herramienta eléctrica adecuada efectúa mejor y de manera más segura el trabajo, si además se maneja a la velocidad para la que está diseñada.
- **No utilice la herramienta si el interruptor no enciende o no apaga.** Cualquier herramienta eléctrica que no pueda controlarse con el interruptor es peligrosa y debe repararse.
- **Desconecte el enchufe de la fuente de alimentación o retire el paquete de baterías, si es desmontable, de la herramienta eléctrica antes de realizar ajustes, cambiar accesorios o almacenar herramientas eléctricas.** Tales medidas preventivas de seguridad reducen el riesgo de poner en marcha accidentalmente la herramienta.
- **Guarde las herramientas eléctricas desocupadas fuera del alcance de los niños y no permita que las utilicen personas no familiarizadas con las mismas o con estas instrucciones.** Las herramientas eléctricas son peligrosas en manos de personas no capacitadas en el uso de las mismas.
- **Mantenimiento de las herramientas eléctricas y accesorios. Revise para ver si hay desalineación o atoramiento de piezas móviles, ruptura de piezas o toda otra condición que pueda afectar el funcionamiento de la herramienta eléctrica. Si está dañada la herramienta eléctrica, permita que la reparen antes de usarla.** Numerosos accidentes son causados por herramientas eléctricas mal cuidadas.
- **Mantenga las herramientas de corte afiladas y limpias.** Las herramientas de corte bien cuidadas y con bordes bien afilados, tienen menos probabilidad de atascarse en la pieza de trabajo y son más fáciles de controlar.
- **Use la herramienta eléctrica, los accesorios, las brocas, etc. según estas instrucciones, teniendo en cuenta las condiciones de trabajo y la tarea que se va a realizar.** Si se utiliza la herramienta eléctrica para operaciones diferentes de las indicadas podría originar una situación peligrosa.

- **Mantenga los mangos y superficies de agarre limpias y libres de aceite y grasa.** Los mangos y superficies de agarre resbalosas no permiten la manipulación y control seguro de la herramienta en situaciones inesperadas.

## EMPLEO Y CUIDADO DE LA HERRAMIENTA DE BATERÍAS

- **Sólo cargue el paquete de baterías con el cargador especificado por el fabricante.** Un cargador adecuado para un tipo paquete de baterías puede significar un riesgo de incendio si se emplea con un paquete de baterías diferente.
- **Utilice las herramientas eléctricas sólo con los paquetes de baterías específicamente indicados.** El empleo de paquetes de baterías diferentes puede presentar un riesgo de incendio.
- **Cuando no esté utilizándose el paquete de baterías, manténgalo lejos de otros objetos metálicos, como clips, monedas, llaves, clavos, tornillos o otros objetos metálicos, pequeños que puedan establecer conexión entre ambas terminales.** Establecer una conexión directa entre las dos terminales de las baterías puede causar quemaduras o incendios.
- **Si se maltratan las baterías, puede derramarse líquido de las mismas; evite todo contacto con éste. En caso de contacto, lávese con agua. Si el líquido llega a tocar los ojos, además busque atención médica.** El líquido de las baterías puede causar irritación y quemaduras.
- **No utilice un paquete de baterías o una herramienta que esté dañado o modificado.** Las baterías dañadas o modificadas pueden tener un funcionamiento impredecible que provoque incendios, explosiones o riesgo de lesiones.
- **No exponga el paquete de baterías o una herramienta al fuego o a temperaturas excesivas.** La exposición al fuego o a temperatura sobre los 130 °C (265 °F) puede provocar explosiones.
- **Siga todas las instrucciones de carga y no cargue el paquete de baterías ni la herramienta fuera del rango de temperaturas especificado en las instrucciones.** Si realiza la carga en forma incorrecta o fuera de las temperaturas del rango especificado puede dañar la batería y aumentar el riesgo de incendios.

## SERVICIO

- **Permita que un técnico de reparación calificado preste servicio a la herramienta eléctrica, y sólo con piezas de repuesto idénticas.** De esta manera se mantiene la seguridad de la herramienta eléctrica.
- **Nunca repare paquetes de baterías dañados.** La reparación de paquetes de baterías solo puede ser realizada por el fabricante o proveedores de servicio autorizados.

# ADVERTENCIAS DE SEGURIDAD DESTORNILLADOR

- **Sujete la herramienta eléctrica por las superficies aisladas de sujeción al efectuar una operación en la cual el sujetador pueda entrar en contacto con cables ocultos.** Si los sujetadores tocan cables con corriente, las piezas metálicas expuestas de la herramienta eléctrica pueden transportar corriente y ocasionar así una descarga eléctrica al operador.
- **Familiarícese con su herramienta eléctrica. Lea cuidadosamente el manual del operador. Aprenda sus usos y limitaciones, así como los posibles peligros específicos de esta herramienta eléctrica.** Con el cumplimiento de esta regla se reduce el riesgo de una descarga eléctrica, incendio o lesión seria.
- **Siempre use protección ocular con laterales protectores con la marca de cumplimiento con la norma ANSI Z87.1 al ensamblar piezas, utilizar la herramienta o llevar a cabo tareas de mantenimiento.** Con el cumplimiento de esta regla se reduce el riesgo de lesiones corporales serias.
- **Protéjase los pulmones. Use una careta o mascarilla contra el polvo si la operación genera mucho polvo.** Con el cumplimiento de esta regla se reduce el riesgo de lesiones serias.
- **Protéjase los oídos. Durante períodos prolongados de utilización del producto, póngase protección para los oídos.** Con el cumplimiento de esta regla se reduce el riesgo de lesiones corporales serias.
- **No se necesita conectar a una toma de corriente las herramientas de baterías; por lo tanto, siempre están en condiciones de funcionamiento. Esté consciente de los posibles peligros cuando no esté usando la herramienta de baterías o cuando esté cambiando los accesorios de la misma.** Con el cumplimiento de esta regla se reduce el riesgo de una descarga eléctrica, incendio o lesión corporal seria.
- **No coloque herramientas de baterías ni las baterías mismas cerca del fuego o del calor.** De esta manera se reduce el riesgo de explosiones y de lesiones.
- **No aplaste, deje caer o dañe de baterías. Nunca utilice una batería o cargador que se ha caído, aplastado, recibido un golpe contundente o ha sido dañado(a) de alguna manera.** Las baterías dañadas pueden sufrir explosiones. Deseche de inmediato toda batería que haya sufrido una caída o cualquier daño.
- **Las baterías pueden explotar en presencia de fuentes de inflamación, como los pilotos de gas.** Para reducir el riesgo de lesiones serias, nunca use un producto inalámbrico en presencia de llamas expuestas. La explosión de una batería puede lanzar fragmentos y compuestos químicos. Si ha quedado expuesto a la explosión de una batería, lávese de inmediato con agua.
- **No cargue herramientas de baterías en lugares mojados o húmedos. No lo utilice, guarde o cargue la paquete de baterías o la product unidad en lugares donde la temperatura sea inferior a 10 °C (50 °F) o superior a 38 °C (100 °F).** No guarde la herramienta a la intemperie ni en el interior de vehículos.
- **En condiciones extremas de uso o temperatura las baterías pueden emanar líquido. Si el líquido llega a tocarle la piel, lávese de inmediato con agua y jabón. Si le entra líquido en los ojos, láveselos con agua limpia por lo menos 10 minutos, y después busque de inmediato atención médica.** Con el cumplimiento de esta regla se reduce el riesgo de lesiones corporales serias.
- **Guarde estas instrucciones.** Consúltelas con frecuencia y empléelas para instruir a otras personas que puedan utilizar esta herramienta. Si presta a alguien esta herramienta, facilítele también las instrucciones.



# SÍMBOLOS

Las siguientes palabras de señalización y sus significados tienen el objeto de explicar los niveles de riesgo relacionados con este producto.

SÍMBOLO	SEÑAL	SIGNIFICADO
	<b>PELIGRO:</b>	Indica una situación peligrosa, la cual, si no se evita, causará la muerte o lesiones serias.
	<b>ADVERTENCIA:</b>	Indica una situación peligrosa, la cual, si no se evita, podría causar la muerte o lesiones serias.
	<b>PRECAUCIÓN:</b>	Indica una situación peligrosa, la cual, si no se evita, podría causar lesiones menores o leves.
	<b>AVISO:</b>	(Sin el símbolo de alerta de seguridad) Indica la información que se considera importante, pero no relacionada con lesiones potenciales (por ej. en relación a daños a la propiedad).

Es posible que se empleen en este producto algunos de los siguientes símbolos. Le suplicamos estudiarlos y aprender su significado. Una correcta interpretación de estos símbolos le permitirá utilizar mejor y de manera más segura el producto.

SÍMBOLO	NOMBRE	DENOMINACIÓN/EXPLICACIÓN
	Alerta de seguridad	Indica un peligro posible de lesiones personales.
	Lea el manual del operador	Para reducir el riesgo de lesiones, el usuario debe leer y comprender el manual del operador antes de usar este producto.
	Protección ocular	Siempre póngase protección ocular con protección lateral con la marca de cumplimiento de la norma ANSI Z87.1.
	Alerta de condiciones húmedas	No exponga la unidad a la lluvia ni la use en lugares húmedos.
	Símbolo de reciclado	Este producto contiene baterías de iones de litio (Li-ion). Es posible que algunas leyes municipales, estatales o federales prohíban desechar las baterías de níquel-cadmio en la basura normal. Consulte a las autoridades reguladoras de desechos para obtener información en relación con las alternativas de reciclado y desecho disponibles.
V	Volts	Voltaje
min	Minutos	Tiempo
==	Corriente continua	Tipo o característica de corriente
n <sub>0</sub>	Velocidad en vacío	Velocidad de rotación, en vacío
.../min	Por minuto	Revoluciones, carreras, velocidad superficial, órbitas, etc., por minuto

# ARMADO

## ADVERTENCIA:

No use este producto si no está totalmente ensamblado o si alguna pieza falta o está dañada. El uso de un producto que no está adecuadamente y completamente ensamblado o posee partes dañadas o faltantes puede resultar en lesiones personales graves.

## ADVERTENCIA:

No intente modificar este producto ni crear aditamentos o accesorios que no estén recomendados para usar con este producto. Dichas alteraciones o modificaciones constituyen un uso indebido y podrían provocar una situación de riesgo que cause posibles lesiones personales graves.

Si hay piezas dañadas o faltantes, le suplicamos llamar al 1-800-525-2579, donde le brindaremos asistencia.

# FUNCIONAMIENTO

## ADVERTENCIA:

No permita que su familiarización con los productos lo vuelva descuidado. Tenga presente que un descuido de un instante es suficiente para causar una lesión grave.

## ADVERTENCIA:

Siempre póngase protección ocular con protección lateral con la marca de cumplimiento de la norma ANSI Z87.1. Si no cumple esta advertencia, los objetos que salen despedidos pueden producirle lesiones serias en los ojos.

## ADVERTENCIA:

No utilice ningún aditamento o accesorio no recomendado por el fabricante de este producto. El empleo de aditamentos o accesorios no recomendados podría causar lesiones serias.

- Coloque el paquete de baterías en el producto como se muestra.
- Asegúrese de que los pestillos situados a ambos lados del paquete de baterías entren completamente en su lugar con un chasquido y de que el paquete quede bien asegurado en la herramienta antes de comenzar a utilizarla.
- Oprima los pestillos para extraer el paquete de baterías.

Para obtener instrucciones específicas de carga, lea el manual del operador que se incluye con el cargador y la batería.

## DIODO LUMINISCENTE

*Vea la figura 3, página 9.*

La luz de diodo luminiscente, la cual está situada en la parte frontal de la base de la herramienta, ilumina cuando se oprime el gatillo del interruptor en el mango.

La luz de diodo luminiscente se enciende sólo cuando se coloca una batería cargada en la herramienta.

## MONTAJE Y DESMONTAJE DE LAS BROCAS

*Vea la figura 4, página 9.*

### Para instalar la brocas:

- Retire el paquete de baterías.
- Tire de la manga para quitarla de la carcasa de engranajes. La manga y la punta ajustable se quitan de la carcasa de engranajes en conjunto.
- Inserte el portabrocas empujándolo por la abertura del husillo hasta que el bloqueo de bola encaje en la ranura de la pata del portabrocas.
- Inserte la broca en el portabrocas empujando.
- Vuelva a colocar la manga y la punta ajustable en la carcasa de engranajes. Alinee la flecha a un lado de la manga con la flecha de la carcasa de engranajes y empuje la punta ajustable hasta que encaje en su lugar.

### Para desmontar la brocas:

- Retire el paquete de baterías.
- Tire de la manga para quitarla de la carcasa de engranajes. La manga y la punta ajustable se quitan de la carcasa de engranajes en conjunto.
- Empuje la pata del portabrocas hacia la carcasa de engranajes y quite la broca.

## USOS

Este producto puede emplearse para los fines siguientes:

- Introducción de tornillos en paneles de yeso

## CÓMO INSTALAR/QUITAR EL GANCHO PARA CINTURÓN

*Vea la figura 1, página 9.*

El gancho para cinturón puede instalarse a ambos lados de la herramienta.

- Apriete las clavijas hacia dentro como se ve en la imagen.
- Inserte las clavijas en la ranura del gancho para cinturón en cualquier lado de la herramienta.
- Cuando haya insertado el gancho para cinturón completamente en la ranura, suelte las clavijas.
- Para quitarlo, apriete las clavijas hacia dentro y tire el gancho para cinturón hacia fuera de la ranura a un lado de la herramienta.

## INSTALACIÓN/DESMONTAR DEL PAQUETE DE BATERÍAS

*Vea la figura 2, página 9.*

- Bloquee el gatillo del interruptor.

# FUNCIONAMIENTO

## ENCENDIDO Y APAGADO DEL DESTORNILLADOR

Vea la figura 5, página 9.

Para **ENCENDER** el destornillador, oprima el gatillo del interruptor. Para **APAGAR** el destornillador, suelte el gatillo del interruptor.

## VELOCIDAD VARIABLE

El destornillador dispone de un interruptor de velocidad variable para permitir al operador controlar los límites de velocidad y de fuerza de torsión.

Si desea obtener una velocidad y una fuerza de torsión máximas, oprima hasta el fondo el gatillo del interruptor. Si desea obtener una velocidad y una fuerza de torsión intermedias, oprima a medio camino el gatillo del interruptor.

Evite utilizar la herramienta a velocidad baja durante períodos de tiempo prolongados. El uso continuo a velocidad baja puede causar el recalentamiento de la unidad. Si ocurre tal situación, enfríe el destornillador poniéndolo a funcionar en vacío y a toda velocidad.

## BOTÓN DEL SEGURO DE ENCENDIDO

Vea la figura 6, página 10.

El seguro de encendido es práctico para la colocación continua de tornillos durante períodos extensos.

Para activar el seguro de encendido, presione el gatillo del interruptor, empuje hacia arriba y sostenga el botón del seguro de encendido ubicado debajo del interruptor; luego, suelte el gatillo del interruptor. Suelte el botón del seguro de encendido, y el destornillador continuará funcionando.

Para quitar el seguro, oprima el gatillo del interruptor y suéltelo.

## UTILIZACIÓN DEL MODO QUIETDRIVE

Vea la figura 7, page 10 .

En el modo QUIETDRIVE, el motor solo se activa cuando el modo está activado, el gatillo está bloqueado en la función de encendido y se ejerce presión sobre la broca.

- Para activar el modo, presione el botón QUIETDRIVE en la base de la herramienta. El indicador LED mostrará que el modo QUIETDRIVE está activado.

**NOTA:** El indicador LED solo permanecerá encendido durante 60 segundos después de activar el modo QUIETDRIVE si el gatillo no está bloqueado en la función de encendido. El modo QUIETDRIVE permanecerá activado hasta desactivarlo presionando el botón QUIETDRIVE.

- Active el seguro de encendido.

**NOTA:** El indicador LED permanecerá encendido durante 4 horas después de activar el seguro de encendido. La herramienta entrará en modo de reposo 4 horas después de la última activación. Para volver a activar la herramienta, presione el gatillo.

- Cuando se ejerza presión sobre la broca, el motor se activará automáticamente para colocar el tornillo y se apagará al finalizar.
- Para apagar el modo QUIETDRIVE, suelte el seguro de encendido y presione el botón QUIETDRIVE en la base de la herramienta. El indicador LED se apagará.

- Antes de guardar o transportar la herramienta, apague el modo QUIETDRIVE y quite el paquete de baterías.

## PALANCA DE SENTIDO DE ROTACIÓN

Vea la figura 8, página 10.

El sentido de rotación de la punta de destornillador se controla con una palanca situada arriba del gatillo del interruptor. Teniendo el destornillador sostenido en la posición normal de trabajo, la palanca de sentido de rotación debe estar a la izquierda del interruptor para el giro a la derecha. El sentido de rotación está invertido cuando la palanca se encuentra a la derecha del interruptor.

**NOTA:** El destornillador no funciona a menos que se empuje la palanca de marcha adelante/atrás completamente a la izquierda o a la derecha. El diseño del selector no permite cambiar el sentido de rotación mientras está funcionando el destornillador. Suelte el gatillo del interruptor y permita detenerse al destornillador antes de cambiar el sentido de rotación.

## AJUSTE DE LA PROFUNDIDAD

Vea la figura 9, página 10.

La punta ajustable de la herramienta automáticamente introduce los tornillos a la profundidad prefijada. Comenzar cada nuevo trabajo introduciendo tornillos en material de desecho para verificar y ajustar el ajuste de la profundidad. Para realizar ajustes de profundidad prefijados:

- Gire el collar de ajuste hasta no obtener la profundidad deseada para el portapuntas o para la punta de destornillador de que se trate.
- Como prueba introduzca un tornillo en material de desecho para determinar si obtiene los resultados esperados.
- Efectúe los ajustes necesarios para aumentar o disminuir la profundidad.

## ENROSCADO DE TORNILLOS

Vea la figura 10, página 10.

Hay dos opciones para sujetar el mango del destornillador, lo cual se determina por la comodidad del operador y el ángulo de trabajo.

El destornillador dispone de un interruptor de velocidad variable para permitir al operador controlar los límites de velocidad y de fuerza de torsión.

- Asegúrese de que el destornillador esté en posición de apagado.
- Revise la palanca de sentido de rotación para ver si está en la posición correcta (marcha adelante o atrás).
- Asegure la pieza de trabajo. Utilice prensas si es necesario.
- Instale el paquete de baterías.
- Oprima el gatillo del interruptor para encender el destornillador. No asegure el interruptor en la posición de ENCENDIDO (ON) para trabajos en los cuales pueda necesitarse detener súbitamente el destornillador.
- Sostenga firmemente el destornillador y coloque la punta de destornillador y el tornillo en el punto donde vaya a introducir éste.  
**NOTA:** El portapuntas es magnético y sostiene la mayoría de los tornillos comerciales para paneles de yeso.
- Aplique una presión rápida y súbita en la punta de destornillador. La presión aplicada sirve para engranar el embrague e impulsar el tornillo.

## MAINTENANCE

### **WARNING:**

When servicing, use only identical replacement parts. Use of any other part could create a hazard or cause product damage.

### **GENERAL MAINTENANCE**

Avoid using solvents when cleaning plastic parts. Most plastics are susceptible to damage from various types of commercial solvents and can be damaged by their use. Use clean cloths to remove dirt, dust, oil, grease, etc.

## ENTRETIEN

### **AVERTISSEMENT :**

Utiliser exclusivement des pièces d'origine pour les réparations. L'usage de toute autre pièce pourrait créer une situation dangereuse ou endommager l'produit.

### **ENTRETIEN GÉNÉRAL**

Éviter d'utiliser des solvants pour le nettoyage des pièces en plastique. La plupart des matières plastiques peuvent être endommagées par divers types de solvants du commerce. Utiliser un chiffon propre pour éliminer la saleté, la poussière, l'huile, la graisse, etc.

## MANTENIMIENTO

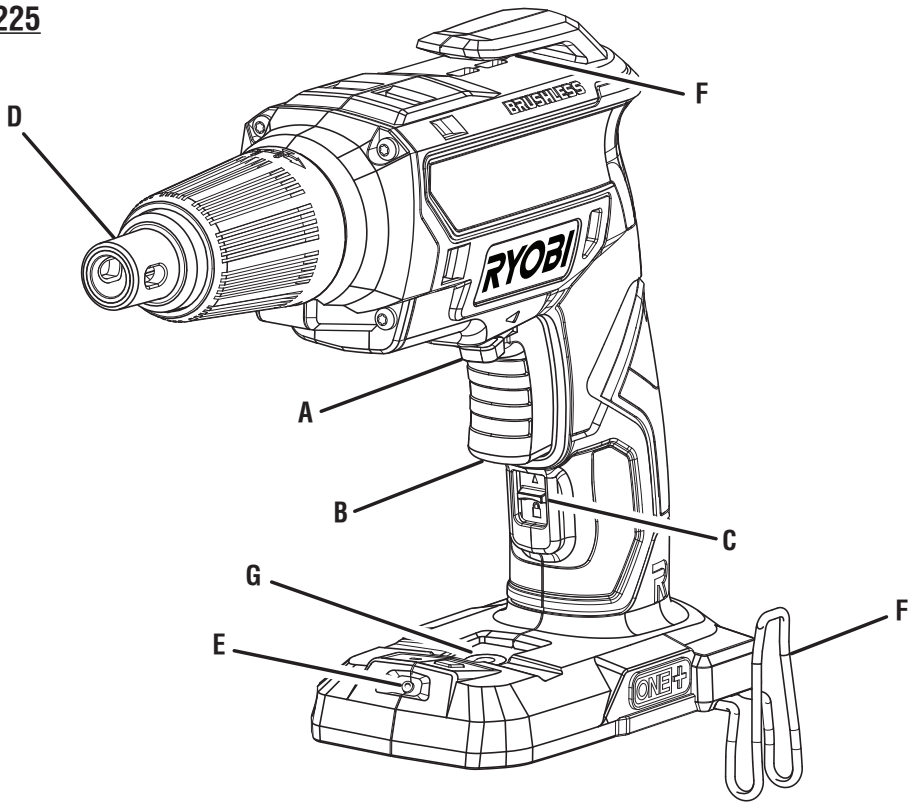
### **ADVERTENCIA:**

Al dar servicio a la unidad, sólo utilice piezas de repuesto idénticas. El empleo de piezas diferentes podría causar un peligro o dañar el producto.

### **MANTENIMIENTO GENERAL**

Evite el empleo de solventes al limpiar piezas de plástico. La mayoría de los plásticos son susceptibles a diferentes tipos de solventes comerciales y pueden resultar dañados. Utilice paños limpios para eliminar la suciedad, el polvo, el aceite, la grasa, etc.

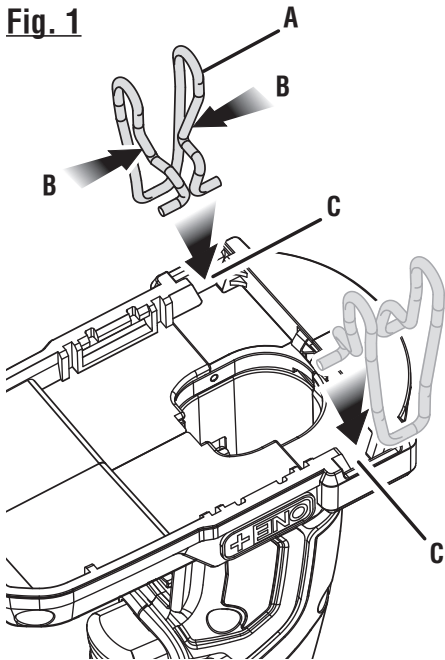
**P225**



- A - Direction of rotation selector (forward/reverse/center lock) [(sélecteur de sens de rotation (avant / arrière / verrouillage central), sélecteur de sentido de rotación (adelante/atrás/seguro en el centro)]
- B - Switch trigger (commutateur, interruptor)
- C - Lock-on switch (commutateur de verrouillage, interruptor del seguro de encendido)

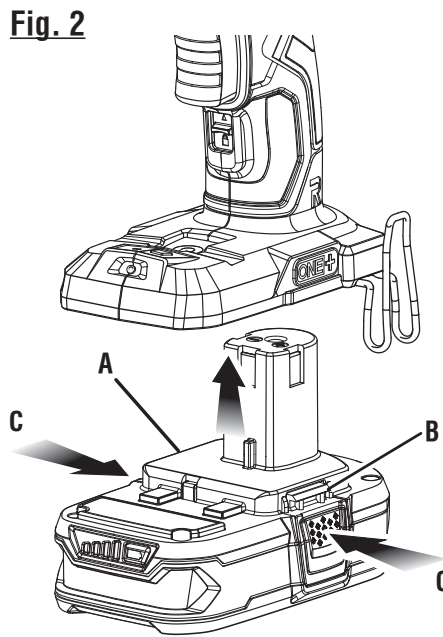
- D - Adjustable nosepiece (butée réglable, punta ajustable)
- E - LED light (lampes à DEL, luz de LED)
- F - Belt hook (crochet de ceinture, gancho para el cinto)
- G - MAG TRAY™ (screw holder) [MAG TRAY™ (compartiment pour vis), MAG TRAY™ (compartimento para tornillos)]

**Fig. 1**



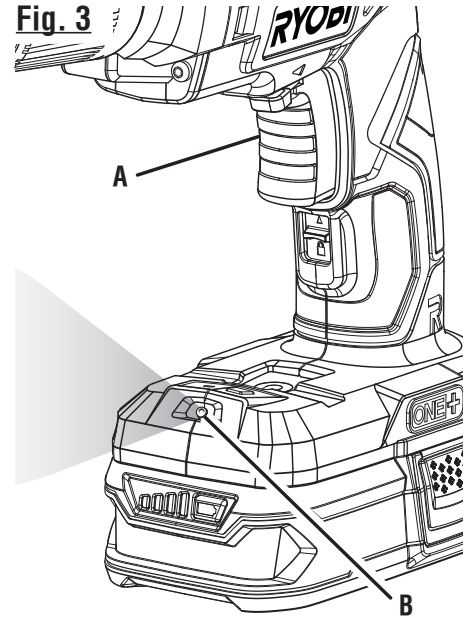
- A - Belt hook (crochet de ceinture, gancho para el cinto)
- B - Prongs (tiges, clavijas)
- C - Belt hook slot (fente du crochet pour ceinture, ranura de gancho para cinturón)

**Fig. 2**



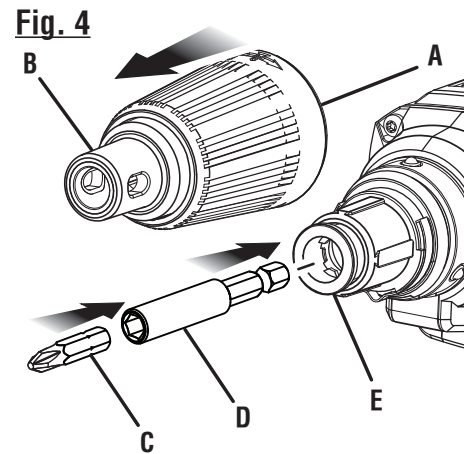
- A - Battery pack (bloc de piles, paquete de baterías)
- B - Latches (loquets, pestillos)
- C - Depress latches to release battery pack (appuyer sur les loquets pour libérer le bloc de piles, para soltar el paquete de pilas oprima los pestillos)

**Fig. 3**



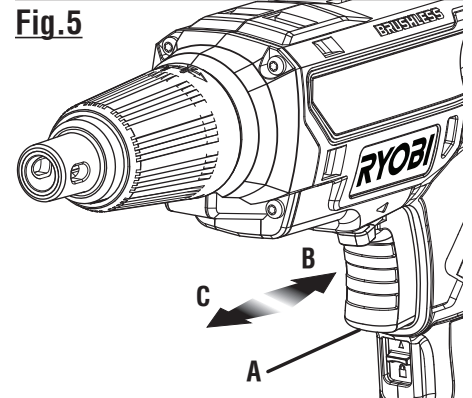
- A - Switch trigger (gâchette, gatillo del interruptor)
- B - LED light (lampes à DEL, luz de LED)

**Fig. 4**



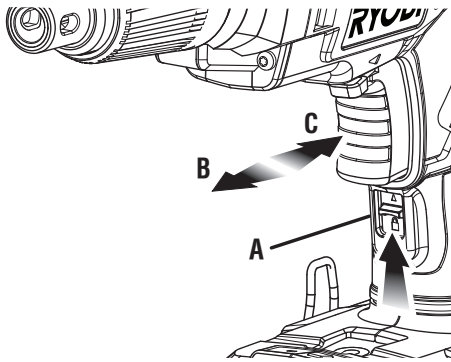
- A - Sleeve (manchon, manga)
- B - Adjustable nosepiece (butée réglable, punta ajustable)
- C - Bit (embout, fresa)
- D - Bit holder (porte embout, portabrocas)
- E - Spindle (broche, husillo)

**Fig. 5**



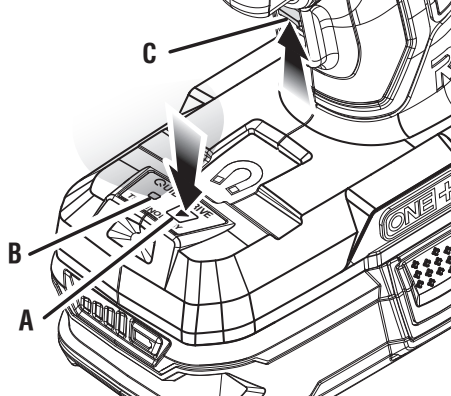
- A - Switch trigger (gâchette de commutateur, gatillo del interruptor)
- B - On (marche, arrêt)
- C - Off (encendido, apagado)

**Fig. 6**



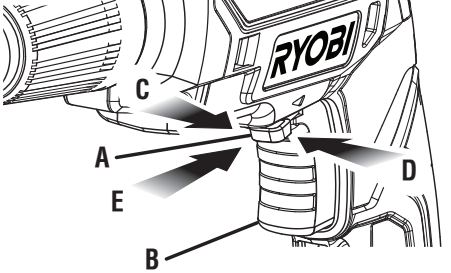
- A - Lock-on switch (commutateur de verrouillage, interruptor del seguro de encendido)
- B - Release switch trigger to run (relâcher la gâchette pour activer, suelte el gatillo del interruptor para que la herramienta funcione)
- C - Depress and release switch trigger to release lock (appuyer et relâcher sur la gâchette pour désactiver le verrouillage, Presione y suelte el gatillo para liberar el bloqueo)

**Fig. 7**



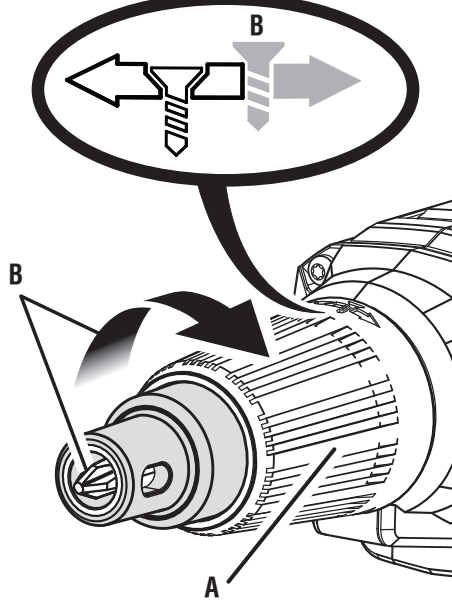
- A - QUIETDRIVE button (bouton QUIETDRIVE, botón QUIETDRIVE)
- B - LED indicator (voyant DEL, indicador LED)
- C - Lock-on switch (commutateur de verrouillage, interruptor del seguro de encendido)

**Fig. 8**

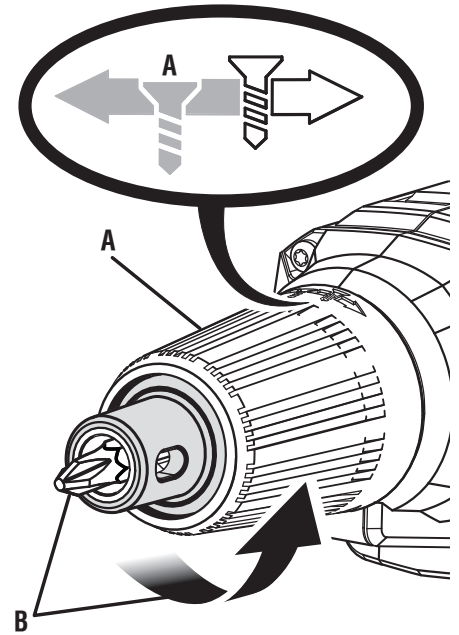


- A - Direction of rotation selector (forward/reverse/center lock) [sélecteur de sens de rotation (sélecteur de sens de rotation / verrouillage central), selector de sentido de rotación (adelante, atrás, seguro en el centro)]
- B - Switch trigger (gâchette, gatillo del interruptor)
- C - Forward (avant, atrás)
- D - Reverse (arrière, adelante)
- E - Center lock (verrouillage central, seguro en el centro)

**Fig. 9**

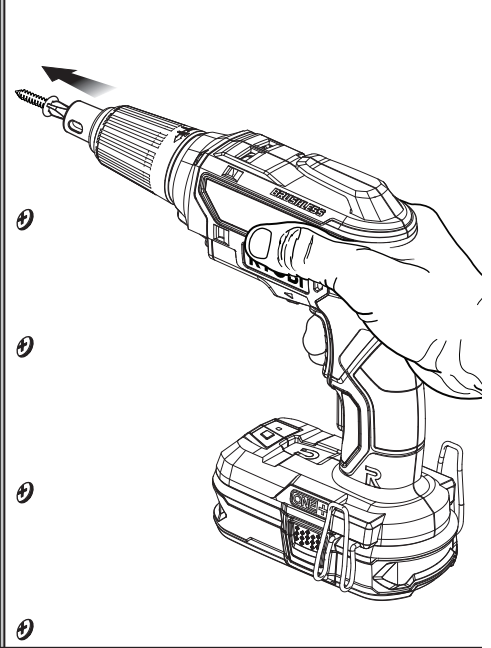
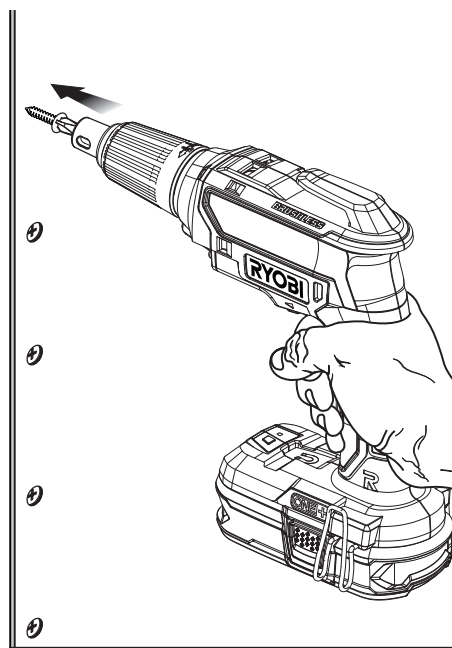


- A - Adjustable nosepiece (butée réglable, punta ajustable)
- B - Shallow depth (profondeur superficielle, profundidad superficial)



- A - Adjustable nosepiece (butée réglable, punta ajustable)
- B - Max depth (profondeur maximale, profundidad máxima)

**Fig. 10**







**OPERATOR'S MANUAL / 18 V DRYWALL SCREWDRIVER**  
**MANUEL D'UTILISATION / VISSEUSE POUR PLACOPLÂTRE DE 18 V**  
**MANUAL DEL OPERADOR / DESTORNILLADOR PARA PANELES DE YESO DE 18 V**  
**P225**

To request service, purchase replacement parts,  
locate an Authorized Service Center and obtain Customer or Technical Support:

Visit **www.ryobitools.com** or call **1-800-525-2579**

If any parts or accessories are damaged or missing,  
do not return this product to the store. Call **1-800-525-2579** for immediate service.

Please obtain your model and serial number from the product data plate.  
**This product is covered under a 3-year limited Warranty. Proof of purchase is required.**

MODEL NUMBER \_\_\_\_\_ SERIAL NUMBER \_\_\_\_\_

RYOBI is a registered trademark of Ryobi Limited and is used pursuant to a license granted by Ryobi Limited.

Pour faire une demande de réparations ou obtenir des pièces de rechange, trouver un  
Centre de réparations agréé pour obtenir un soutien technique ou le Service à la clientèle :

Visiter **www.ryobitools.com** ou en téléphonant au **1-800-525-2579**

Si des pièces ou accessoires sont manquantes ou endommagées, ne pas retourner  
ce produit au magasin. Appeler immédiatement au **1-800-525-2579** pour obtenir de l'aide.

Inscrire les numéros de modèle et de série inscrits sur la plaque d'identification du produit.  
**Ce produit est couvert par une garantie limitée de trois (3) ans. Une preuve d'achat est exigée.**

NUMÉRO DE MODÈLE \_\_\_\_\_ NUMÉRO DE SÉRIE \_\_\_\_\_

RYOBI est une marque déposée de Ryobi Limited et est utilisée en vertu d'une licence accordée par Ryobi Limited.

Para obtener servicio, comprar piezas de repuesto, localizar un centro de servicio autorizado  
y obtener Servicio o Asistencia Técnica al Consumidor:

Visite **www.ryobitools.com** o llame al **1-800-525-2579**

Si hay alguna pieza ou accesorios dañada o faltante, no devuelva este producto a la tienda.  
Llame al **1-800-525-2579** para servicio técnico inmediato.

Obtenga su modelo y número de serie de la placa de datos del producto.  
**Este producto está cubierto con una garantía limitada de 3 años. Se solicita prueba de la compra.**

NÚMERO DE MODELO \_\_\_\_\_ NÚMERO DE SERIE \_\_\_\_\_

RYOBI es una marca registrada de Ryobi Limited y se utiliza conforme a una licencia otorgada por Ryobi Limited.

**ONE WORLD TECHNOLOGIES, INC.**

1428 Pearman Dairy Road, Anderson, SC 29625 • Phone 1-800-525-2579  
États-Unis, Téléphone 1-800-525-2579 • USA, Teléfono 1-800-525-2579

**www.ryobitools.com**