

Ovation Curve™ 60" x 30" Curved Shower Base

- B8014A-ST3L.011** Ovation Curve 60" x 30" Shower Base - Left Hand Drain
- B8014A-ST3R.011** Ovation Curve 60" x 30" Shower Base - Right Hand Drain

Features:

- Curved design for more space and comfort
- Engineered with premium StruXure® material to resist chipping and peeling
- Easy to clean, non-porous surface resists mold and mildew
- Preformed DuraComb™ support base for an easier, no-mortar install. **NOTE:** Maximum weight support of 300 lbs. without mortar.
- Features a trench drain with drain cover included
- Single threshold
- Versatile curved design works for 30"-36" deep alcoves
- Textured, non-slip floor
- Installation clips included for convenience
- Shower drain not included
- 10-Year warranty

Nominal Dimensions:

60" x 30" x 3"
(1524 x 762 x 76 mm)

Compliance Certifications -

Meets or Exceeds the Following Specifications:

- ASTM E162, ASTM E662, CAN/ULC-S102, ASTM E84



B8014A-ST3L.011
Ovation Curve 60" x 30" Shower Base
Left Hand Drain



B8014A-ST3R.011
Ovation Curve 60" x 30" Shower Base
Right Hand Drain

To Be Specified - Required:

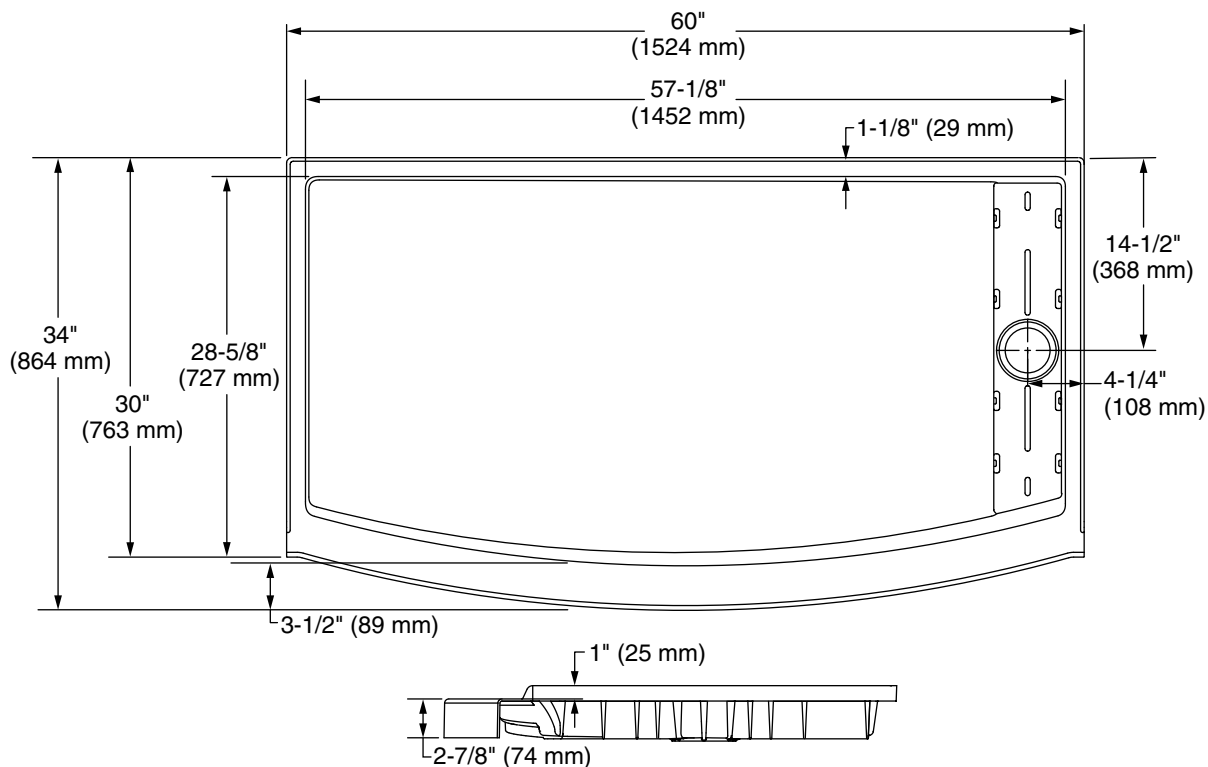
- Color: .011 Arctic White

To Be Specified - Optional:

- Shower Walls: 2961SWT60.011
- Shower Door: AM00844400

SEE NEXT PAGE FOR ROUGHING-IN DIMENSIONS
AND PRODUCT SPECIFICATIONS

B8014A-LHO/RHO
Right hand drain outlet shown



NOTES:

REFER TO INSTALLATION INSTRUCTIONS SUPPLIED WITH PRODUCT FOR ADDITIONAL INFORMATION.

FITTINGS NOT INCLUDED AND MUST BE ORDERED SEPARATELY.

PROVIDE SUITABLE REINFORCEMENT FOR ALL SUPPORTS.

IMPORTANT: Dimensions of fixtures are nominal and may vary within the range of tolerances established by ANSI Standard Z124. These measurements are subject to change or cancellation. No responsibility is assumed for use of superseded or voided leaflet.

Ovation® 5-piece Shower Wall Set

☐ **2968SWT60 Bath Wall Set**

- Glue-up installation
- Pre-measured walls adhere directly to greenboard
- Measures 60" (1524mm) W x 32" (813mm) D x 72" (1829mm) H
- Walls can easily be trimmed to fit 48-60" widths (1219-1524mm) and 30-32" depths (762-813mm)
- 5-piece wall set (3 flat walls and 2 corner caddies) for easy maneuverability and installation
- Durable, high gloss, acrylic; easy soap and water clean-up
- Adhesive not included
- 10 Year Residential Limited Warranty



Nominal Dimensions:

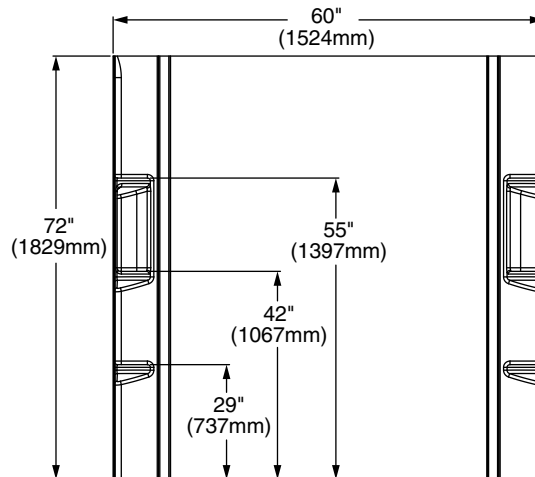
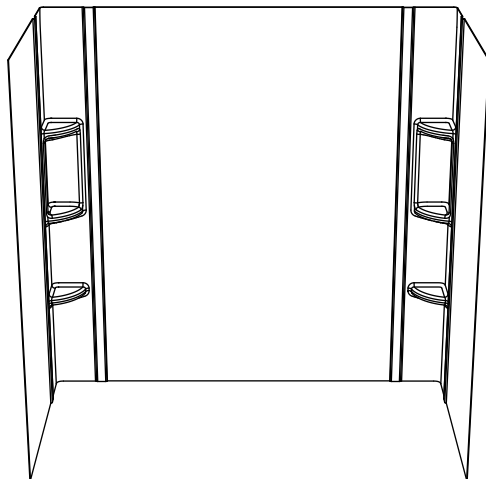
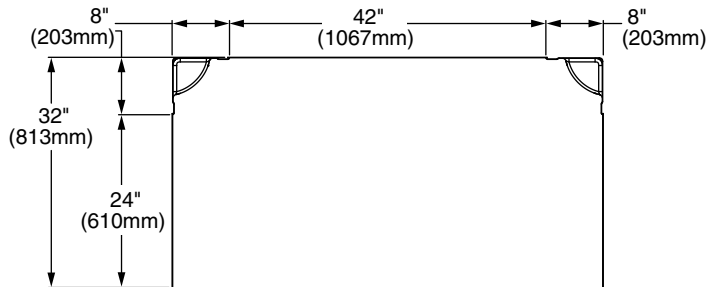
60" wide x 32" deep x 72" height
 (1524 x 813 x 1829 mm)

To Be Specified - Required:

- .366 Silver Celestial
- .367 Beige Parchment
- .368 Sand Travertine
- .369 Celestial Marble
- .252 White Marble

To Be Specified - Optional:

- 2698.ST3R.011 60" (1524mm) RH drain Shower Base
- 2698.ST3L.011 60" (1524mm) LH drain Shower Base
- 2602.ST3.011 48" (1219mm) Center Drain Shower Base
- AM00560.400.295 60" (1524mm) Shower Doors
- AM00548.400.295 48" (1219mm) Shower Door



Ovation Curve™ 60" x 72" Frameless Shower Door

AM00844400 60" x 72" Frameless Shower Door

- Frameless bypass shower door
- Curved barn-style design for more space and comfort
- Easy-clean glass for less build up and maintenance
- 1/4" (6mm) clear glass
- Both doors open for reversibility
- Safe close feature for smooth operation with no slamming
- Towel bar handles for functional convenience
- Out-of-plumb adjustability
- Installation hardware included
- Meant for installation on Ovation Curve 60" Curved Shower Base (A8014T-LHO.011/A8014T-RHO.011) sold separately
- 10 Year Warranty



Minimum to Maximum Opening Width:

58" - 58-1/2"
(1475 x 1485 mm)

Door Opening:

26"
(660 mm)

Compliance Certifications -Meets or Exceeds the Following Specifications:

- ANSI Z97.1

To Be Specified - Required:

- Color: .295 Brushed Nickel
- .213 Silver Shine
- .243 Matte Black

To Be Specified - Optional:

- Shower Walls: 2961SWT60.011
- Shower Bases: B8014A-ST3L.011, B8014A-ST3R.011

