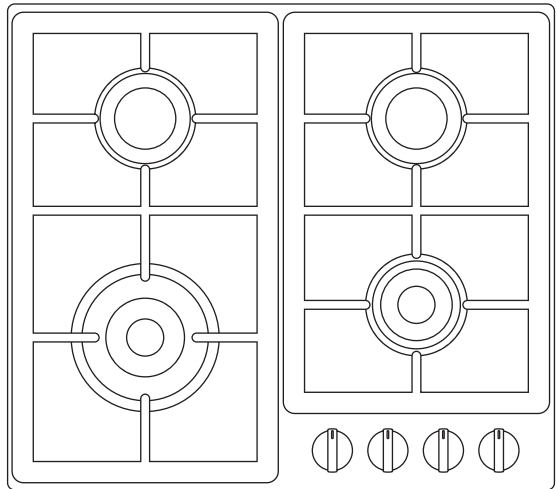




**Magic Chef<sup>®</sup>**

# 24-Inch Gas Cooktop

*User's Manual*



**Model MCSTG24S**

**PLEASE READ THIS MANUAL CAREFULLY BEFORE USING YOUR  
GAS COOKTOP AND KEEP IT FOR FUTURE REFERENCE.**



## PRODUCT REGISTRATION

Thank you for purchasing this Magic Chef® product. The first step to protect your new product is to complete the product registration on our website: [www.mcappliance.com/register](http://www.mcappliance.com/register). The benefits of registering your product include the following:

1. Registering your product will allow us to contact you regarding a safety notification or product update.
2. Registering your product will allow for more efficient warranty service processing when warranty service is required.
3. Registering your product could act as your proof of purchase in the event of insurance loss.

Once again, thank you for purchasing this Magic Chef product.

# CONTENTS

PRODUCT REGISTRATION .....	2
PRECAUTIONS .....	4
IMPORTANT SAFETY INSTRUCTIONS .....	5
SPECIFICATIONS.....	6
INSTALLATION REQUIREMENTS.....	7
INSTALLATION INSTRUCTIONS .....	9
OPERATION INSTRUCTIONS.....	16
CARE AND MAINTENANCE .....	19
LIMITED WARRANTY .....	20

# PRECAUTIONS

## EXPLANATION OF SYMBOLS

### **▲ WARNING**

Hazards or unsafe practices which COULD result in severe personal injury or death.

### **▲ CAUTION**

Hazards or unsafe practices which COULD result in minor personal injury.

# THIS PRODUCT IS INTENDED FOR HOUSEHOLD USE ONLY

**▲ WARNING:** Read and understand all safety precautions. Failure to follow all instructions described in this user manual may result in electric shock, fire and/or serious personal injury. The warnings, cautions and instructions discussed in this user manual cannot cover all possible conditions and situations that may occur.

**▲ WARNING:** If information in this manual is not followed exactly, a fire or explosion may result causing property damage, personal injury or death.

- DO NOT store or use gasoline or other flammable vapors and liquids in the vicinity of this or any other appliance.

**▲ WARNING:** What to Do If You Smell Gas

- DO NOT try to turn on any appliance.
- DO NOT touch any electrical switch.
- DO NOT use any phones in home.
- Immediately call your gas supplier from a phone outside of the home. (Ex: Go to a neighbor's home to call your gas supplier or fire department.)
- If the gas supplier cannot be reached, call the fire department.
- Installation and service must be performed by a qualified installer or service agency.

**▲ WARNING:** State of California Proposition 65 Warnings

- This product contains one or more chemicals known to the State of California to cause cancer.
- This product contains one or more chemicals known to the State of California to cause birth defects or other reproductive harm.

# IMPORTANT SAFETY INSTRUCTIONS

**▲ WARNING:** To reduce the risk of fire, electrical shock, injury to persons, or damage when using the oven, follow basic precautions.

- Be sure the cooktop is properly installed by a qualified technician.
- DO NOT allow anyone to climb, stand or hang on cooktop.
- NEVER use this appliance to warm or heat a room. Doing so may result in carbon monoxide poisoning and overheating of the cooktop.
- DO NOT leave children alone or unattended. Children SHOULD NOT be left alone or unattended in the area where the cooktop is in use; they could be seriously burned or injured. Children SHOULD NEVER be allowed to sit or stand on any part of the cooktop; they could be seriously burned or injured.
- Wear proper apparel. Loose fitting or hanging garments SHOULD NOT be worn while utilizing the cooktop.
- DO NOT repair or replace any part of the oven unless specifically recommended in the manual. All other servicing should be referred to a qualified technician.
- DO NOT store flammable materials near the cooktop.
- DO NOT store or use combustible materials, gasoline or other flammable vapors and liquids near the vicinity of the cooktop or any other appliance.
- DO NOT use water on grease fires. NEVER pick up a flaming pan or pot. Turn the controls off. Smother the flaming pan or pot by covering it completely with a fitting lid, cookie sheet or flat tray. Use multi-purpose dry chemicals or foam-type fire extinguisher.
- Flaming grease outside of the pan or pot can be put out by covering it with baking soda, multi-purpose dry chemicals or foam-type fire extinguisher.
- Use only dry pot holders. Moist or damp potholders on hot surfaces may result in steamed burns.
- DO NOT heat un-opened food containers on the surface burners. Pressure could build up and the container can burst, causing injury.
- NEVER leave jars of fat drippings on or near your cooktop.
- DO NOT let cooking grease deposits accumulate in or near the cooktop, as this may cause a grease fire.
- In the event that a burner goes out and gas escapes, open a window or door. Wait at least 5 minutes before using cooktop.
- DO NOT use aluminum foil to line any part of the cooktop.
- If the cooktop is near a windows, be certain that the curtains or window covering are away from the cooktop burners.
- ALWAYS have a working smoke detector near the kitchen.
- DO NOT allow pans to dry boil.
- When the cooktop is in use DO NOT touch the burner grates, burner or surrounding areas as they may be hot and cause serious burns.

# SPECIFICATIONS

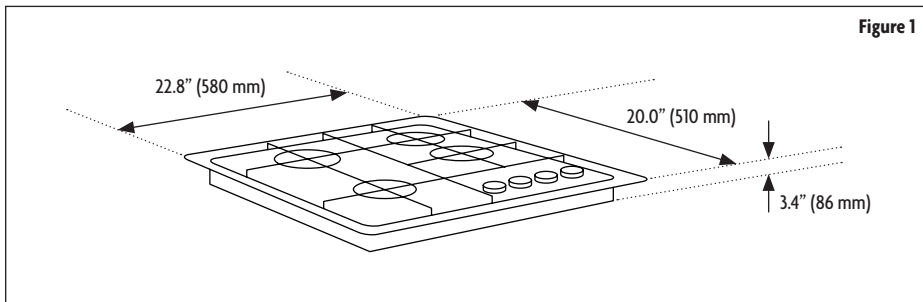


Figure 1

Height		3.4" (86 mm)
Width		22.8" (580 mm)
Depth		20.0" (510 mm)
BTU	Left Front Burner - Triple Ring	16000 BTU
	Left Rear Burner - Semi Rapid Burner	6800 BTU
	Right Rear Burner - Semi Rapid Burner	6800 BTU
	Right Front Burner - Auxiliary Burner	5000 BTU

**▲ NOTE:** If the cooktop is installed over 2000 feet (610 meter), there would be 4% of de-rate per 1000 feet.

Nominal values BTU/h from 0 to 2000 feet (610 meter)	Elevation from 2000 feet (610 meter) to 4000 feet (1220 meter)	Elevation from 4000 feet (1220 meter) to 6000 feet (1829 meter)	Elevation from 6000 feet (1829 meter) to 8000 feet (2438 meter)	Elevation from 28000 feet (2438 meter) to 10000 feet (3048 meter)
40300	37076	34109	31381	28870

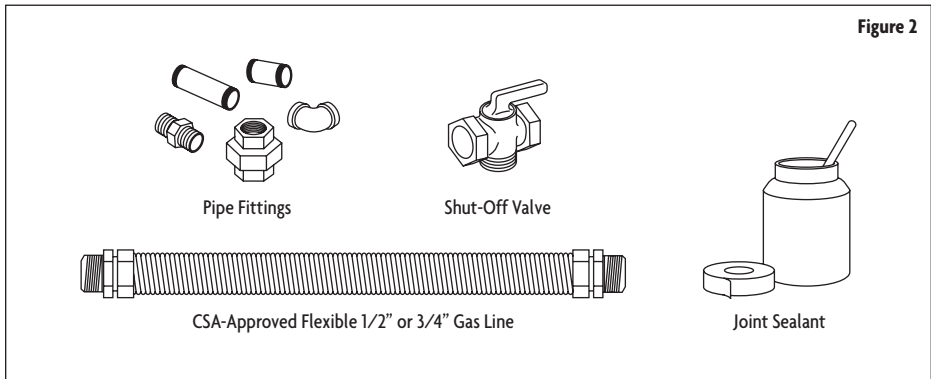
# INSTALLATION REQUIREMENTS

**▲ IMPORTANT:** This appliance shall be installed only by qualified technician and in accordance with the manufacturer's installation instructions, local gas fitting regulations, municipal building codes, electrical wiring regulations, local water supply regulations.

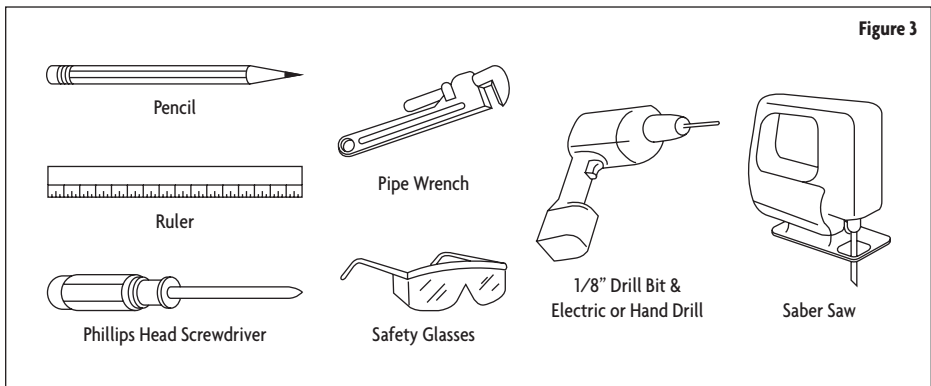
**▲ IMPORTANT:** Save these instructions for local electrical inspectors use. Read and save these instructions for future use.

## TOOLS AND PARTS

### Tools Required



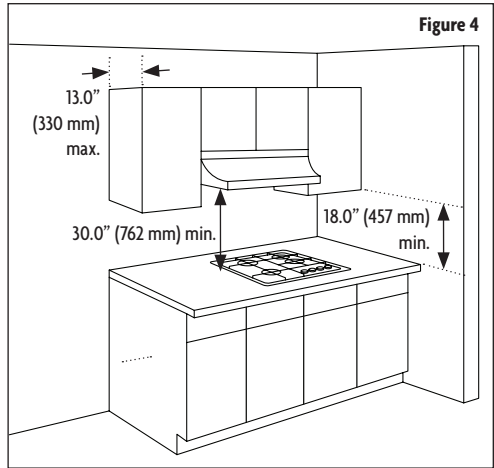
### Parts Required



## LOCATION REQUIREMENTS

The air necessary for the combustion of the gas must be able to flow into the room naturally. The air must flow into the room directly through openings in the outside walls. These openings must have an unobstructed cross-section not less than  $2\text{m}^3/\text{h}$  for each kw of power.

- The opening must be constructed so that it will not be obstructed from inside or outside, or constructed close to the floor. The opening is recommended to be on the side opposite to that on which the flue gases are discharged.
- Avoid placing cabinetry directly above cooktop when possible. If cabinetry is used above cooktop, use cabinet no more than 13" deep.
- Working areas adjacent to the cooktop should have a 18" minimum clearance between countertop and cabinet bottom. Make sure the wall coverings, countertop and cabinets around the cooktop can withstand heat (up to 200°F) generated by the cooktop.
- Maintain 30" minimum clearance between cooktop surface and cabinets installed above the cooktop.
  - If a range hood is installed above the cooktop, it is important that the 30" minimum clearance between the cooktop and bottom of the range hood is maintained. The range hood must be connected directly to flues or to the outside.
  - A range hood with minimum 350 CFM that projects at least 5" beyond front of cabinets can reduce risk of burns caused by reaching over heated surface units.



## GAS AND ELECTRICAL SUPPLY REQUIREMENTS

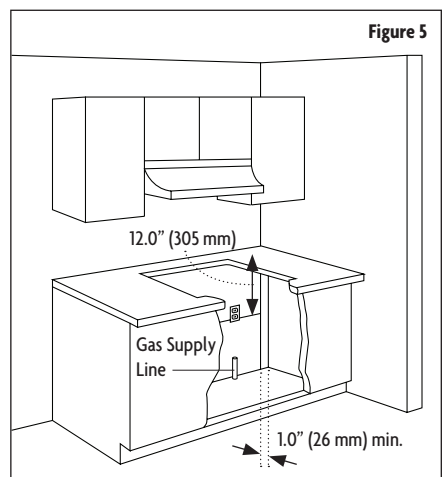
Installation must comply with local codes. In the absence of local codes, the gas cooktop must comply with the National Fuel Gas Code ANSI Z223.1- latest edition in the United States, or in Canada CAN/CGA B149.1 and CAN/CGA B149.2 and the National Electrical Code ANSI/NFPA No.70 – latest edition in United States, or in Canada CSA Standard C22.1, Canadian Electrical Code, Part 1, and local code requirements.

### Gas Supply Requirements

The gas supply should be located near the opening for this cooktop and a minimum of 1" from the back wall. This cooktop is manufactured for natural gas and is designed to operate at 5" water column pressure. The regulator is required to provide a minimum of 6" water column to a maximum of 14" water column to the cooktop regulator.

### Electrical Supply Requirements

The electric spark ignition feature for this model requires a 120V electrical power supply and should be located 12" below the countertop and within reach of the cooktop's four-foot power cord.





# INSTALLATION INSTRUCTIONS

**▲ WARNING:** Installation and service must be performed by a qualified installer, service agency or the gas supplier. Failure to do so can result in death, fire, or electrical shock.

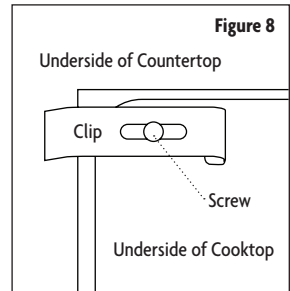
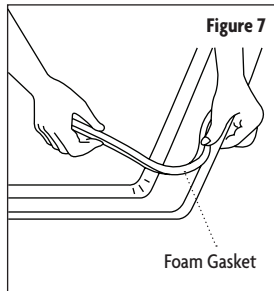
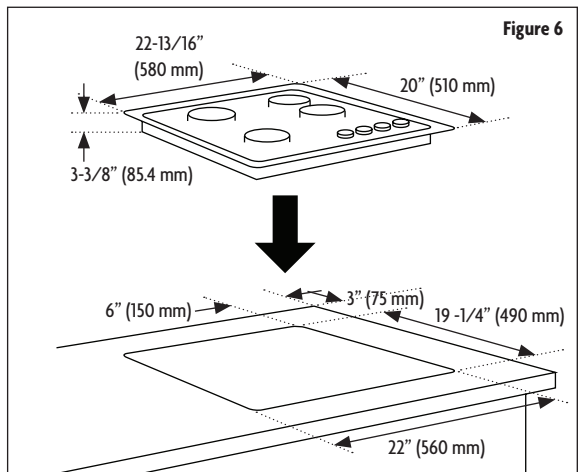
**▲ IMPORTANT:** Save these instructions for local electrical inspectors use. Read and save these instructions for future use.

**▲ WARNING:** Installations for Gas and Electric

- The cooktop is manufactured for use with Natural Gas. The cooktop can be converted for use with propane gas using the propane conversion kit supplied with the cooktop.
- Be sure the cooktop being installed is correct for the type of gas being used.
- Refer to the rating plate located on the underside of the burner box.
- When connecting the unit for propane gas, make certain the propane tank is equipped with its own high pressure regulator.
- In addition, the pressure regulator supplied with the cooktop must be installed on the gas inlet pipe going to the cooktop.

## INSTALLING COOKTOP

1. Use as 24" or deeper base cabinet.
2. Cut the opening in the countertop. To ensure accuracy it is best to make a template for the opening. Make sure the sides are parallel also rear and front cuts are exactly perpendicular to the sides. Keep in mind all minimum clearances. (Refer to Figure 6.)
3. Before installing the cooktop into the opening in the countertop, remove all grates and burner caps.
4. Turn the cooktop upside down and place the special foam gasket around the bottom edge of the cooktop. It is important that the gasket is fixed evenly without any gaps or overlapping, this is to prevent liquid seeping underneath the cooktop. (Refer to Figure 7.)
5. After the foam gasket is installed, place the cooktop into the countertop. (Refer to Figure 6.)
6. Secure the cooktop from underneath with the supplied clips and screws. (Refer to Figure 8.)



## GAS CONNECTION

### ▲ **WARNING:** Explosion Hazard

- Use a new CSA International approved gas supply line.
- Install a shut-off valve.
- Securely tighten all gas connections.
- If connected to LP, have a qualified person make sure gas pressure does not exceed 14" (36cm) water column.
- Examples of a qualified person include: licensed heating personnel, authorized gas company personnel, and authorized service personnel.
- Failure to do so can result in death, explosion, or fire.

▲ **WARNING:** NEVER reuse an old flexible connector. The utilization of an old flexible connector may cause gas leakage and personal injury.

▲ **NOTE:** ALWAYS use a new flexible connector when installing a gas appliance.

▲ **NOTE:** ALWAYS apply thread compound approved for use with LP or Natural Gas to all thread connections.

### Gas Pressure Regulator

The gas pressure regulator supplied with this cooktop must be used. For proper operation the inlet pressure to the regulator should be as follows. (Refer to Figure 9.)

#### Natural Gas

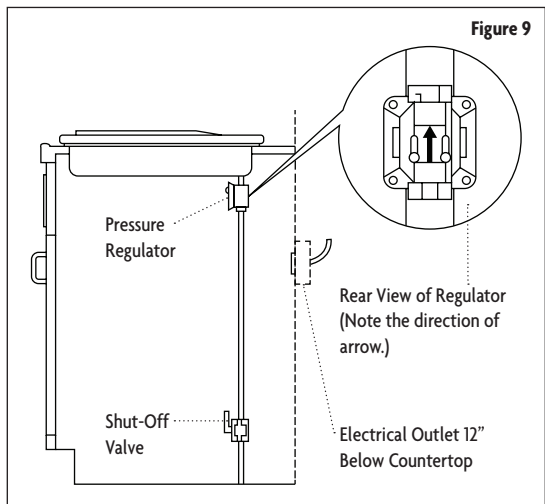
- Minimum Inlet Pressure:  
5" WCP (Water Column Pressure)
- Maximum Supply Pressure:  
6" WCP (Water Column Pressure)

#### LP Gas

- Minimum Inlet Pressure:  
11" WCP (Water Column Pressure)
- Maximum Supply Pressure:  
12" WCP (Water Column Pressure)

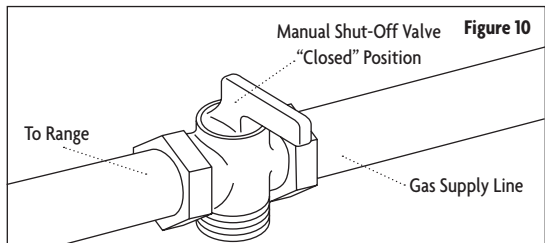
▲ **NOTE:** Contact your local gas supplier if you are not sure about the inlet pressure.

The pressure regulator must be connected in series with the manifold of the cooktop and must remain in series with the supply line regardless of the type of gas being used.



### Gas Shut-Off Valve

The gas supply line must be equipped with a manual shut-off valve. This valve should be located in the same room but external to the cooktop. It should be in a location that allows ease of opening and closing. DO NOT block access to shut-off valve. The valve is for turning on or shutting off gas to the cooktop. (Refer to Figure 10.)

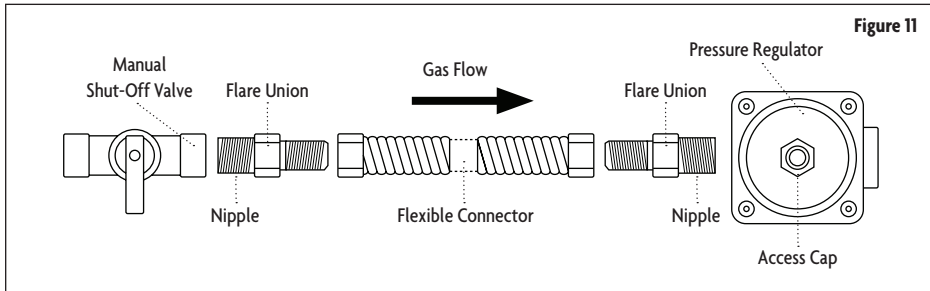


▲ **IMPORTANT:** It is important to know how and where to shut off the gas supply to the cooktop.

1. The gas inlet is located on the bottom of the cooktop at the rear and 8½" from the right hand edge of the cooktop. Make gas connection through rear wall, or on cabinet floor at rear. Install the house gas supply at least 1" from the back wall.
2. When installing, fit a safety tap at the end of the pipeline. The cooktop is manufactured and tested for natural gas.

**▲ IMPORTANT:** Make sure the type of gas being supplied to the cooktop is the same as that show on the label affixed to the underside of the cooktop.

**▲ NOTE:** All connections must be wrench-tightened. Use only pipe-joint compound made for use with Natural and LP gas.



**Figure 11**

3. Install the pressure regulator with the arrow pointing up toward the bottom of the cooktop base and in position where you can reach the regulator cap.
  - DO NOT make connections to the gas regulator too tight. Making the connections too tight may crack the regulator and cause gas leak.
  - DO NOT allow the regulator to turn on the pipe when tightening.
4. Apply Natural Gas/LP Gas pipe joint compound to the smaller thread ends of the flexible connector adapters.
5. Attach 1 adapter and nipple to the gas pressure regulator and the other adapter and nipple to the gas shut-off valve. Tighten both adapters and nipples.
6. Using a wrench and pliers attach the flexible connector to both adapters. Check to ensure the connector is not kinked or damaged.

#### Completing Gas Connection

1. Check to make sure all burner knobs are in the OFF position.
2. Open the manual shut-off valve in the gas supply line.
  - The valve is open when the handle is parallel to the gas pipe.
3. Test all connections by brushing on an approved non-corrosive leak-detection solution.
  - Bubbles indicates a leak, correct any leaks found.
4. Check the alignment of the control knob valves after connecting the cooktop to the gas supply to be sure the cooktop manifold pipe has not moved.

**▲ CAUTION:** Misalignment could cause the valve stems to rub on the control panel, resulting in a gas leak at the valve.

**▲ NOTE:** Disconnect this cooktop and its individual manual shut-off valve from the gas supply piping system during any pressure testing of that system at test pressures greater than 1/2 psig (3.5kPa or 14" water column).

**▲ NOTE:** Isolate the cooktop from the gas supply piping system by closing its individual manual shut-off valve during any pressure testing of the gas supply piping system at test pressure equal to or less than 1/2 psig (3.5 kPa or 14" water column).

## GAS CONVERSION

### ▲ **WARNING:** Explosion Hazard

- Use a new CSA International approved gas supply line.
- Install a shut-off valve.
- Securely tighten all gas connections.
- If connected to LP, have a qualified person make sure gas pressure does not exceed 14" (36cm) water column.
- Examples of a qualified person include: licensed heating personnel, authorized gas company personnel, and authorized service personnel.
- Failure to do so can result in death, explosion, or fire.

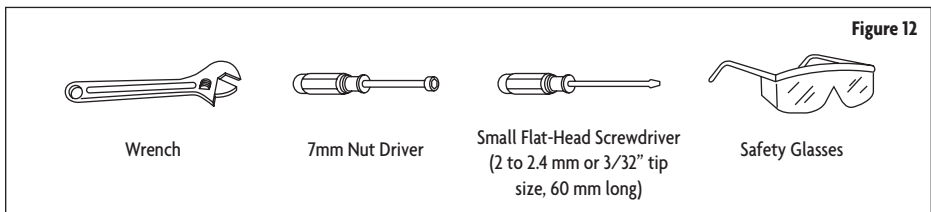
The range can be used with Natural Gas or LP/Propane Gas. The range is manufactured from the factory for use with Natural Gas. A kit for converting to LP/Propane Gas is supplied with your cooktop. The kit is marked "For LP/Propane Gas Conversion".

▲ **NOTE:** When the cooktop is converted for LP/Propane Gas, the LP gas supply is required to provide a minimum of 10" to a maximum of 14" water column to the cooktop regulator.

The conversion must be performed by a qualified service technician in accordance with the kit instructions and all local codes/requirements.

▲ **CAUTION:** Failure to follow instructions could result in serious injury.

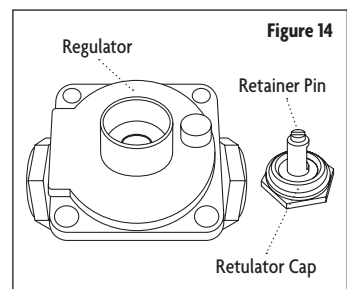
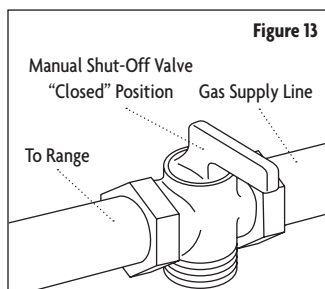
### Parts Required

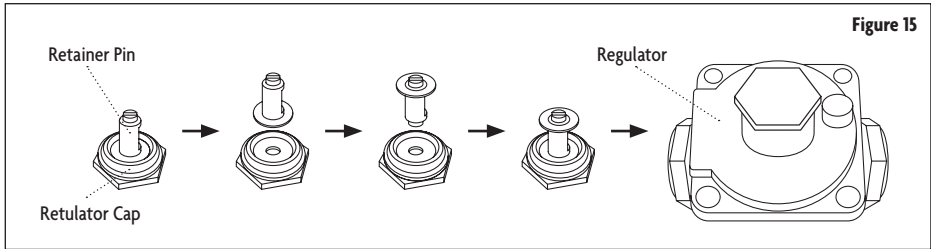


### Converting to LP/Propane Gas

Burner Type	Max Output	Min Output	Natural Gas		LPG	
	Kw	Kw	Nozzle (mm)	Cons (M <sup>3</sup> /h)	Nozzle (mm)	Cons (g/h)
Auxiliary Burner	1	0.3	1 x 1.10	0.1	1 x 0.70	73
Semi-Rapid Burner	2	0.55	1 x 1.20	0.19	1 x 0.80	124
Triple Ring Burner	4.5	1.5	5 x ø0.99	0.43	5 x ø0.56	327

1. Turn the manual shut-off valve to the closed position. (Refer to Figure 13.)
2. Unplug range or disconnect power.
3. Unscrew the regulator cap with the wrench. (Refer to Figure 14.)

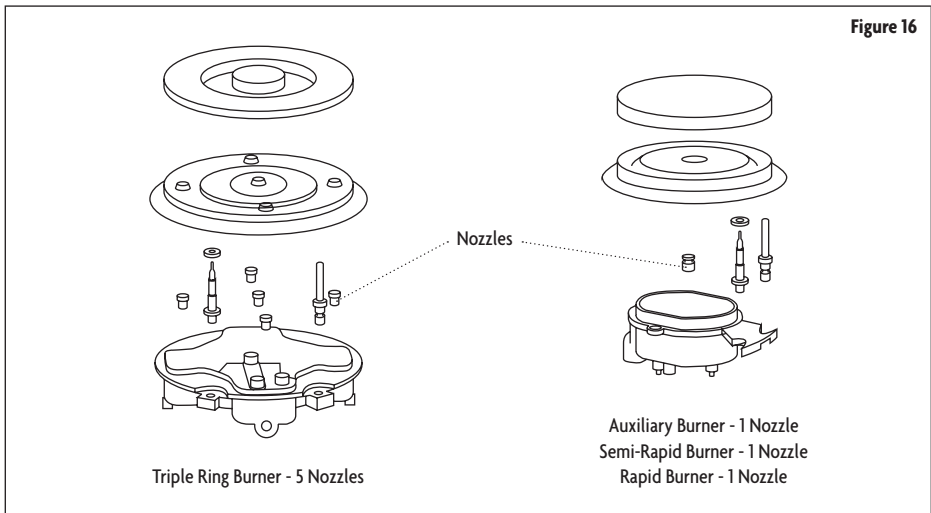


**Figure 15**

4. Remove the retainer pin that is currently positioned for use with Natural Gas. (Refer to Figure 15.)
5. Turn the retainer pin upside down and re-install into regulator cap. (Refer to Figure 15.)
6. Screw the regulator cap back into the regulator and reattach the regulator to the nipple and flare union. (Refer to Figure 15.)

#### Converting Surface Hob Burners (Natural Gas to LP Gas)

1. Remove the burner grates, burner caps and burner heads.
2. Using a 7 mm nut driver, remove the burner orifices.

**Figure 16**

3. Install the proper orifices in replace of the ones that were removed.
4. Re-install the burner bases, heads and top grates. Make sure the burner caps are properly seated on the burner heads.

**▲ NOTE:** The triple burner has only two injectors, one injector mounted in the center and one mounted below the cover plate. To access the second injector, remove the two screws and the cover plate.

**▲ IMPORTANT:** Once the conversion has been completed and has passed testing, fill out the conversion sticker and include your name, organization and the date conversion is made. Apply the sticker near the cooktop gas inlet opening to alert others in the future that this appliance has been converted. If converting back to Natural Gas, remove the sticker so others know that the appliance is set to use its original gas.

## ELECTRICAL CONNECTION

### ▲ **WARNING:** Electrical Shock Hazard

- ALWAYS disconnect the electrical plug from the wall receptacle before servicing this unit.
- Plug into a grounded 3 prong outlet.
- DO NOT remove the ground prong from the power cord plug.
- DO NOT use an adapter.
- DO NOT use an extension cord.
- Failure to do so can result in death, fire or electrical shock.

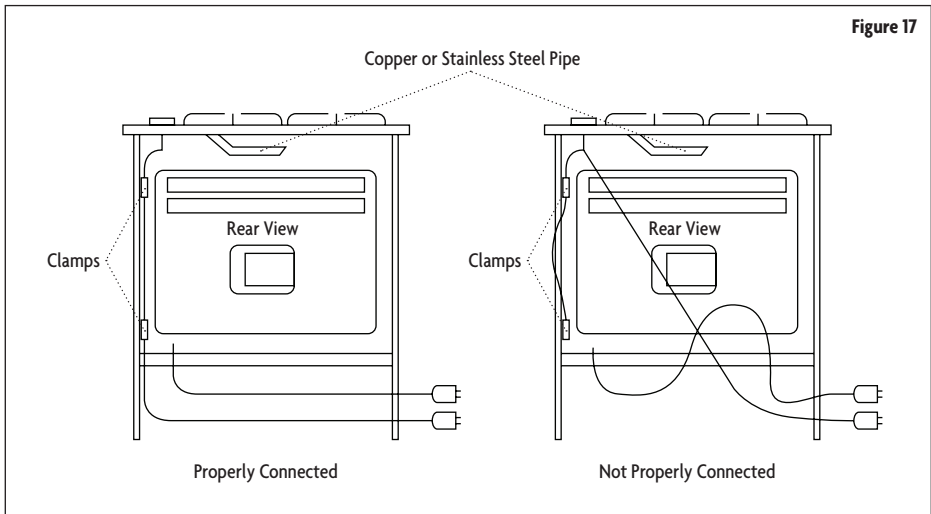
### ▲ **NOTE:** Before making the connection, make sure of the following.

- The safety circuit breaker and the electrical system are able to withstand the load of the appliance.
- The power supply system has a ground connection in good working order in accordance with the regulation.
- The electrical socket should be easily accessible with the appliance installed. In all cases, the power supply lead must be positioned so that it does not reach a temperature of 122°F above the room temperature at any point.

### ▲ **WARNING:** Severe shock or damage to the cooktop may occur if the cooktop is not installed by a qualified service technician.

### ▲ **WARNING:** If for any reason a gas control knob is turned ON and there is no electric power to operate the electronic igniter of the cooktop, turn off all gas control knobs and wait 5 minutes for gas to dissipate before lighting the burner manually.

### ▲ **WARNING:** To light the burner manually, carefully hold a lighted match to the burner ports and push and turn the gas control knob to HI until it lights and then turn the knob to the desired setting.

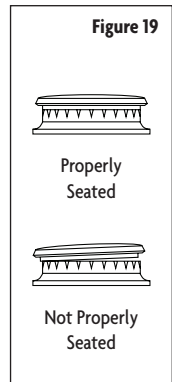
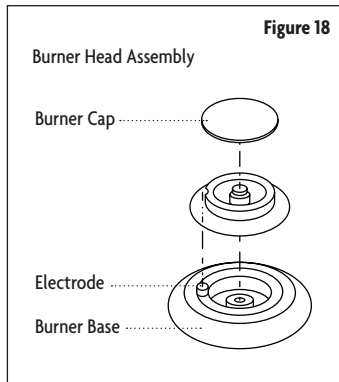


### Assembling the Burners

The electrode of the electronic ignition system is positioned above the surface of the burner base. DO NOT remove a burner cap or touch the electrode of a burner while another is turned on. Damage or electrical shock may occur.

1. Place burner heads over the burner base. Make sure the hole in the burner head is properly aligned with the electrode in the burner base. (Refer to Figure 18.)

2. Place the burner caps on the burner heads. Make sure the burner caps are properly seated on the burner head. (Refer to Figure 19.)
3. Operation of the electric igniters should be tested after the cooktop and supply line have been carefully checked for leaks and the cooktop has been connected to the electrical power.
  - To check igniters, push and turn a burner valve to the light position. All sparks will make a series of sparks, but only the burner turned to LITE with light.

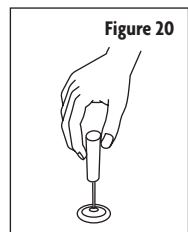


## HOW TO CHECK OPERATION

### How to Adjust Standard Burner

**▲ IMPORTANT:** Adjustments must be made with two other burners in operation on a medium setting. This prevents the upper row of the flames from being set too low, resulting in the flame being extinguished when other burners are turned on.

1. Turn all burners on the highest setting and check the flames. The flames should all be blue in color (LP gas will have blue flames with yellow tips). Foreign particles in the gas line may cause an orange flame at first, but should disappear in a short period of time.
2. Light one burner and turn to the lowest setting.
3. Remove the control knob to the desired burner that you wish to adjust.
4. Insert screwdriver through the access hole in the valve shaft. (Refer to Figure 20.)
5. Slowly turn the screw until the flame appearance is correct.
  - If the flames are too small or fluttered, open the valve more than the original setting.
  - If the flames are too large, close the valve more than the original setting.



### Testing Flame Stability

- Test 1: Turn the control knob from “HI” to “LO” quickly. If the upper row of flames goes out at this setting, increase the flame size and test again.
- Test 2: With the burner on “LO”, open and close the cabinet door under the cooktop. If the flame is extinguished by the air currents created by the door movement, increase the flame height and re-test.

### Flame Check

- After all the flame adjustments have been made, turn all burners to the off position.
- “LITE” each burner individually and observe the flame at the “HI” position.
- Rotate the burner knob to the lowest setting and be sure the flame size decreases as the knob is rotated counter-clockwise.

# OPERATION INSTRUCTIONS

## ▲ **WARNING:** Fire Hazard

- DO NOT operate a burner using empty cookware or without cookware on the grate.
- DO NOT touch the burner when the igniters are clicking (sparking).
- DO NOT let the burner flame extend beyond the edge of the pan.
- Turn off all controls when done cooking.
- Failure to do so can result in death or fire.
- ALWAYS use the LITE position when igniting the top burners and make sure the burners have ignited.
- NEVER leave the surface burners unattended at high flame settings. Boil overs can cause smoke and greasy spillovers that may catch on fire.
- ALWAYS turn cookware handles toward the side or back of the range without extending over adjacent burners.
- ALWAYS turn the burner controls off before removing the cookware.

▲ **CAUTION:** Excessive flames are hazardous. Adjust the burner flame size so it does not extend beyond the edge of the cookware.

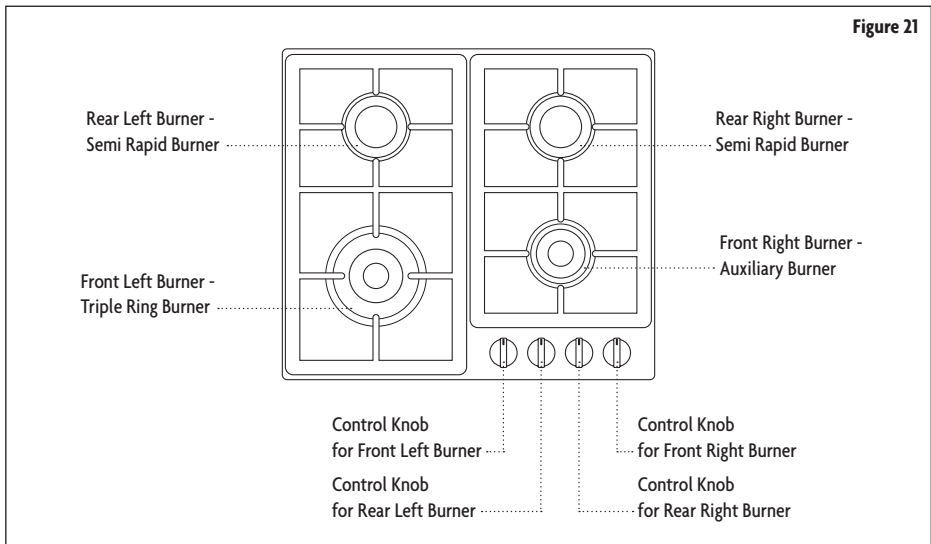
▲ **CAUTION:** When utilizing pot holders. Only use dry pot/pan holders as moist or damp pot holders to hot surfaces may result in burns from steam. DO NOT let pot holders come near open flames when lifting cookware.

▲ **CAUTION:** When utilizing glass cookware. Make sure the glass cookware is suitable for top range cooking.

▲ **CAUTION:** Keep all plastic items away from the cooktop as they may melt if left too close to the heat.

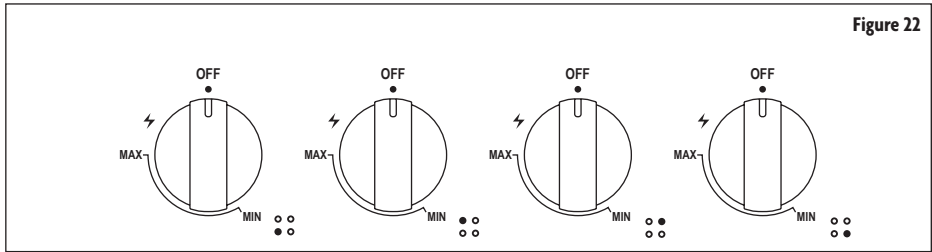
▲ **CAUTION:** When removing the cooking grates, ALWAYS be certain that the controls for all burners are set to off. Make sure all cooking grates are cool before attempting to remove them

## COOKTOP



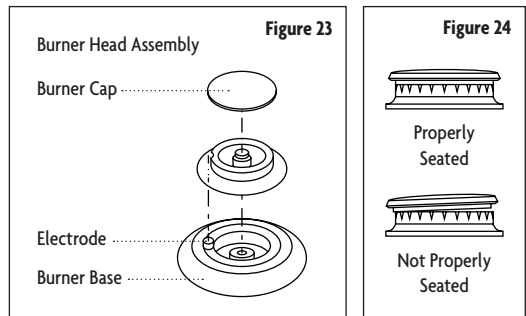


## CONTROL KNOBS



## BURNERS

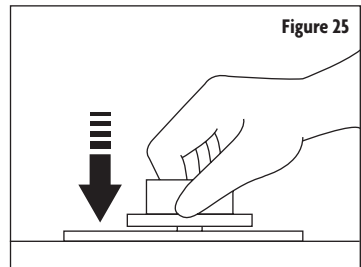
- Place a burner cap on each burner head, matching the cap size to the head size. (Refer to Figure 23.)
- The cap for each burner has an inner locating ring which centers the cap correctly on the burner head.
- Be sure that all the burner caps and burner heads are correctly placed BEFORE using your appliance.
- The color of the flame will reflect the proper burner adjustment. A good flame should be clear, blue and steady. If the flame is yellow-orange in color then the burner needs to be adjusted or cleaned.



## ELECTRIC GAS IGNITION

The gas burners utilize an electric ignition device located near each burner. By the means of spark igniters ensure the surface cooktop to light automatically.

1. Push in and turn the control knob counterclockwise to the LITE position. All surface burners will click but only the burner with control knob turned to LITE will produce a flame.
2. After the burner ignites, keep the knob pressed down for 10 seconds. (Refer to Figure 25.) This allows the thermocouple to heat up and activate the safety valve.
3. Check the flame to be even and then turn control knob to the desired flame size.



**▲ CAUTION:** ALWAYS use caution when lighting burners manually.

4. In the instances of a power outage, carefully hold a lighted match to the burner ports and push and turn the gas control knob to HI until it lights and then turn the knob to the desired setting.

**▲ NOTE:** ALWAYS position cooking cookware on the burner grate BEFORE lighting the burner.

**▲ CAUTION:** The flame SHOULD NOT extend beyond the sides or the pot or pan.

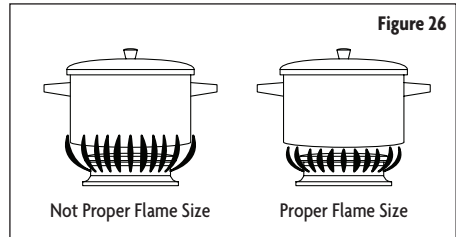
**▲ NOTE:** If any burner flame goes out due to draft or other reasons, the gas valve will shut off the gas supply. To re-ignite the burner, turn the gas valve to the ignition setting and push down the knob to ignite the burner.

## COOKWARE

**▲ CAUTION:** NEVER extend the flame beyond the outer edge of the cookware. (Refer to Figure 26.)

DO NOT use cookware that is unstable or easily tippable as this can increase the chances of spill over and serious injury. To avoid spillover make sure cookware is large enough to contain the food properly.

DO NOT let the burner flames extend beyond the edge of the pan.



### Use of cookware lids

Only use lids that are fitted for the cookware. This will allow shorten and more efficient cooking time.

### Cooking with Canners and Pressure Cooker

The canner and pressure cooker must meet the required standards for cooktop cooking. Check to ensure the canner/pressure cooker has a flat bottom surface and is evenly balanced on the cooktop. Also check to ensure the lid fits properly to the canner/pressure cooker.

### Proper Pan Size and Type

**▲ WARNING:** Failure to follow these instructions can result to serious injury or death.

- UTILIZING PROPER PAN SIZE – Select cookware that is the appropriate in size to cover the burner grates.
- Use only certain types of glass, heatproof glass ceramic, ceramic, earthenware, or other glazed cookware that is suitable for the cooktop.
- DO NOT use cookware that is unstable or easily tippable as this can increase the chances of spill over and serious injury. To avoid spillover make sure cookware is large enough to contain the food properly.
- DO NOT let the burner flames extend beyond the edge of the pan.
- Turn off all controls when burners are not in use.

### Cookware and the characteristics

Use the following chart as a guide for cookware material characteristics.

Cookware	Characteristics
Aluminum	<ul style="list-style-type: none"><li>• Heats quickly and evenly.</li><li>• Suitable for all types of cooking.</li><li>• Medium or heavy thickness is best for most cooking tasks.</li></ul>
Cast Iron	<ul style="list-style-type: none"><li>• Heats slowly and evenly.</li><li>• Good for browning and frying.</li><li>• Maintains heat for slow cooking.</li></ul>
Stainless Steel	<ul style="list-style-type: none"><li>• Heats quickly, but unevenly.</li><li>• A core or base of aluminum or copper on stainless steel provides even heating.</li></ul>

## DEEP FRYING

ALWAYS use a thermometer and adjust the surface control knob to the correct temperature. If the fat is too cool the food will absorb the fat. If the fat is too hot the food will brown quickly and the center will be undercooked. DO NOT attempt to deep fry too much food at once as the food will neither brown nor cook properly.

**▲ CAUTION:** During cooking process involving fats or oils, watch your food carefully because these substance may catch fire if brought to high temperatures.

# CARE AND MAINTENANCE

**▲ IMPORTANT:** DO NOT attempt to clean or touch the cooktop while it is still hot. Some cleaners produce noxious fumes when applied to a hot surface. Failure to do so can result in serious bodily injury.

**▲ CAUTION:** To avoid possible burns or injuries, DO NOT attempt any of the following cleaning instructions before turning OFF all of the surface burners. ALWAYS allow all surface burners and grates to cool prior to cleaning.

**▲ IMPORTANT:** When cleaning the cooktop make sure all control are off and all surfaces are cool before cleaning any part of the cooktop

**▲ CAUTION:** Some cleaners can produce noxious flames if applied to a hot surface.

## Stainless Steel

- DO NOT use soap-filled scouring pads, abrasive cleaners, cooktop cleaner, steel-wool pads, gritty wash cloths or abrasive paper towels.
- Recommended Cleaning Methods
- Recommended to use stainless steel cleaner or polish.
- Recommended to use vinegar for hard water spots.
- Recommended to use liquid detergent or all-purpose cleaner. Rinse well with clean water and dry with soft, lint-free cloth.
- Recommended to rub in the direction of grain to avoid damage.

## Control Knobs

- For general cleaning use hot soapy water and a cloth. For built up of grease apply liquid detergent directly onto the built up area. Rinse with a damp cloth and dry.
- DO NOT use steel wool or acidic cleaners on the control knobs.

## Grates and End Caps

- DO NOT clean until the grates and caps have cooled
- DO NOT reassemble grates and caps if they are still wet.
- To avoid chipping, DO NOT bang grates and caps against each other or hard surfaces.
- Recommended to utilize mildly abrasive cleaner.
- Recommended to utilize a non-abrasive cloth or plastic scrubbing pad.

## Burner Spreader

- Recommended to frequently wash the burner spreader with boiling water and detergent to remove any deposit build up. This will maintain steady flame output.
- ALWAYS dry the burner spreader thoroughly before re-installing.



## LIMITED WARRANTY

MC Appliance Corporation warrants each new Gas Cooktop to be free from defects in material and workmanship, and agrees to remedy any such defect or to furnish a new part(s), at the company's option, for any part(s) of the unit that has failed during the warranty period. Parts and labor expenses are covered on this unit for a period of one year from the date of purchase. A copy of the dated sales receipt/invoice is required to receive warranty service, replacement or refund.

This warranty covers appliances in use within the contiguous United States, Alaska, Hawaii and Puerto Rico. This warranty does not cover the following:

- Damages due to shipping damage or improper installation.
- Damages due to misuse or abuse.
- Content losses due to failure of the unit.
- Repairs performed by unauthorized service agents.
- Service calls that do not involve defects in material and workmanship such as instructions on proper use of the product or improper installation.
- Replacement or resetting of house fuses or circuit breakers.
- Failure of this product if used for other purposes than its intended purpose.
- Disposal costs for any failed unit not returned to our factory.
- Any delivery/installation costs incurred as the result of a unit that fails to perform as specified.
- Expenses for travel and transportation for product service if your appliance is located in a remote area where service by an authorized service technician is not available.
- The removal and reinstallation of your appliance if it is installed in an inaccessible location or is not installed in accordance with published installation instructions.
- Refunds for non repairable products are limited to the price paid for the unit per the sales receipt.
- This warranty is non transferable. This warranty applies only to the original purchaser and does not extend to any subsequent owner(s).

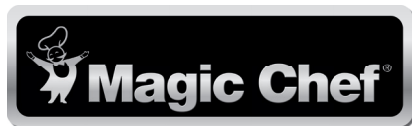
### Limitations of Remedies and Exclusions:

Product repair in accordance with the terms herein, is your sole and exclusive remedy under this limited warranty. Any and all implied warranties including merchantability and fitness for a particular purpose are hereby limited to one year or the shortest period allowed by law. MC Appliance Corporation is not liable for incidental or consequential damages and no representative or person is authorized to assume for us any other liability in connection with the sale of this product. Under no circumstances is the consumer permitted to return this unit to the factory without the prior written consent of MC Appliance Corporation.

Some states prohibit the exclusion or limitation of incidental or consequential damages, or limitations on implied warranties. This warranty gives you specific legal rights, and you may also have other rights which vary from state to state.

Model	Parts	Labor	Type of Service
MCSCTG24S	One Year	One Year	Carry In

For Service or Assistance please call **888-775-0202** or visit us on the web at [www.mcappliance.com](http://www.mcappliance.com) to request warranty service or order parts.



**CNA International, Inc. d/b/a MC Appliance Corporation. All rights reserved.  
Magic Chef® logo is a registered trademark of CNA International, Inc.**

**[www.mcappliance.com](http://www.mcappliance.com)**

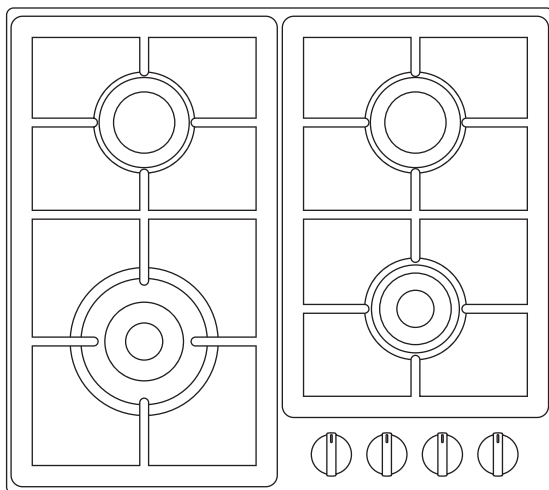
**Printed in China**



**Magic Chef<sup>®</sup>**

# Placa de cocina a gas de 24 pulgadas

*Manual del usuario*



**Modelo MCSTG24S**

**LEA ESTE MANUAL ANTES DE UTILIZAR SU PLACA DE COCINA A GAS Y  
GUÁRDELO PARA FUTURA REFERENCIA.**



## REGISTRACIÓN DEL PRODUCTO

Gracias por comprar el producto Magic Chef®. El primer paso para proteger su nuevo producto es completar la forma de registración en nuestra pagina web: [www.mcappliance.com/register](http://www.mcappliance.com/register). Los beneficios de registrar su producto incluyen lo siguiente:

1. Al registrar su producto nos permite contactarle para notificarle de un cambio de seguridad o actualización del producto.
2. Si llegara a necesitar servicio bajo garantía, registrando su producto nos permite ser más eficiente en procesar el servicio.
3. En el evento que usted tenga una perdida que esta cubierto por un seguro, registrando su producto puede servir como prueba de su compra.

Una vez más gracias por comprar un producto marca Magic Chef.

# ÍNDICE

REGISTRO DEL PRODUCTO .....	23
PRECAUCIONES .....	25
INSTRUCCIONES DE SEGURIDAD IMPORTANTES .....	26
ESPECIFICACIONES .....	27
REQUISITOS DE INSTALACIÓN .....	28
INSTRUCCIONES DE INSTALACIÓN .....	30
INSTRUCCIONES DE FUNCIONAMIENTO .....	38
CUIDADO Y MANTENIMIENTO .....	42
GARANTÍA LIMITADA .....	43



# PRECAUCIONES

## EXPLICACIÓN DE LOS SÍMBOLOS

### ▲ ADVERTENCIA

Peligros o prácticas inseguras que PODRÍAN provocar lesiones personales graves o muerte.

### ▲ PRECAUCIÓN

Peligros o prácticas inseguras que PODRÍAN provocar lesiones personales leves.

# ESTE PRODUCTO ES SÓLO PARA USO DOMÉSTICO

▲ **ADVERTENCIA:** Lea y comprenda todas las precauciones de seguridad. La inobservancia de todas las instrucciones descritas en este manual del usuario podrían resultar en descarga eléctrica, incendio y/o lesiones personales graves. Las advertencias, precauciones e instrucciones planteadas en este manual del usuario no cubren todas las eventuales condiciones y situaciones que podrían suscitarse.

▲ **ADVERTENCIA:** Si la información en este manual no se sigue exactamente, un incendio o explosión podría resultar, ocasionando daños a la propiedad, lesiones personales o muerte.

- NO guarde, ni utilice gasolina u otro vapor o líquido inflamable en las cercanías de éste o de cualquier otro electrodoméstico.

▲ **ADVERTENCIA:** Qué hacer si huele a gas

- NO trate de encender ningún aparato.
- NO toque ningún interruptor eléctrico.
- NO utilice ningún teléfono en la casa.
- Inmediatamente, llame a su proveedor de gas desde un teléfono afuera de la casa. (Ejemplo: Vaya a la casa del vecino para llamar a su proveedor de gas o al departamento de bomberos).
- Si el proveedor de gas no puede ser contactado, llame al departamento de bomberos.
- La instalación y servicio deben ser realizados por un instalador calificado o una agencia de servicio.

▲ **ADVERTENCIA:** Advertencias de la Proposición 65 del Estado de California

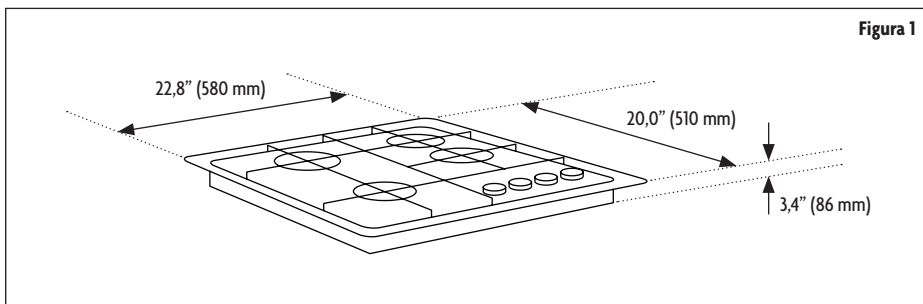
- Este producto contiene uno o más productos químicos conocidos por el Estado de California como causantes de cáncer.
- Este producto contiene uno o más productos químicos conocidos por el Estado de California como causantes de defectos de nacimiento u otro daño reproductivo.

# INSTRUCCIONES DE SEGURIDAD IMPORTANTES

**▲ ADVERTENCIA:** Para reducir el riesgo de incendio, descarga eléctrica o lesiones personales al momento de utilizar el horno, sigas las precauciones básicas.

- Asegúrese de que la placa de cocina esté correctamente instalada y conectada a tierra por un técnico calificado.
- NO permita a nadie subirse a, pararse en o colgarse de la placa de cocina.
- NUNCA use este aparato para calentar una habitación. Hacerlo puede resultar en envenenamiento por monóxido de carbono y recalentamiento de la placa de cocina.
- NO deje a los niños solos o desatendidos. Los niños NO SE DEBEN dejar solos o desatendidos en el área donde la placa de cocina esté en uso; ellos pueden resultar gravemente quemados o lesionados. A los niños NUNCA se les debe permitir sentarse o pararse en ninguna parte de la placa de cocina; ellos pueden resultar gravemente quemados o lesionados.
- Use vestimenta adecuada. Ropa holgada o prendas colgantes NO DEBEN ser usadas cuando se esté utilizando la placa de cocina.
- NO repare o cambie piezas del horno a menos que esté específicamente recomendado en el manual. Todo otro mantenimiento debe ser referido a un técnico calificado.
- NO almacene materiales inflamables cerca de la placa de cocina.
- NO guarde o use materiales combustibles, gasolina, u otros vapores o líquidos inflamables próximo a las cercanías de la placa de cocina o de cualquier otro aparato.
- NO utilice agua en incendios de grasa. NUNCA agarre una sartén o cacerola en llamas. Apague los controles. Ahogue la sartén o cacerola en llamas cubriendo la misma completamente una tapa de tamaño adecuado, una lámina para hacer galletas o una bandeja plana. Utilice extinguidores de incendios de químicos secos para usos múltiples o tipo espuma.
- La llama de grasa por fuera de la sartén o cacerola, puede eliminarse cubriéndola con bicarbonato de sodio, o un extinguidor de químicos secos para usos múltiples o tipo espuma.
- Utilice sólo agarra ollas secos. Los agarra ollas húmedos o mojados en superficies calientes pueden resultar en quemaduras por vapor.
- NO caliente contenedores de alimentos en los quemadores de la superficie. La presión podría acumularse y el contenedor explotar, causando lesiones.
- NUNCA deje frascos de grasa recolectada en o cerca de su placa de cocina.
- NO permita que los depósitos de grasa provenientes de cocción se acumulen en o cerca de la placa de cocina, ya que ello podría causar un incendio de grasa.
- En el caso que un quemador se apague y el gas escape, abre una ventana o una puerta. Espere al menos 5 minutos antes de usar la placa de cocina.
- NO utilice papel de aluminio para forrar cualquier parte de la placa de cocina.
- Si la placa de cocina está cerca de una ventana, asegúrese de que las cortinas o cubre ventanas estén lejos de los quemadores de la placa de cocina.
- Tenga SIEMPRE un detector de humo que funcione, cerca de la cocina.
- NO permita que las cacerolas hiervan en seco.
- Cuando la placa de cocina está en uso NO toque las parrillas sobre los quemadores, los quemadores o las áreas alrededor de los quemadores, ya que ellas pueden estar calientes y causar quemaduras graves.

# ESPECIFICACIONES



Altura		3,4" (86 mm)
Ancho		22,8" (580 mm)
Profundidad		20,0" (510 mm)
BTU	Quemador delantero izquierdo - Triple anillo	16000 BTU
	Quemador posterior izquierdo - Quemador semirrápido	6800 BTU
	Quemador posterior derecho - Quemador semirrápido	6800 BTU
	Quemador delantero derecho - Quemador auxiliar	5000 BTU

**▲ NOTA:** Si la placa de cocina es instalada a más de 2000 pies (610 metros), habrá 4% de degradación por cada 1000 pies.

Valores nominales BTU/h de 0 a 2000 pies (610 metros)	Elevación desde 2000 pies (610 metros) a 4000 pies (1220 metros)	Elevación desde 4000 pies (1220 metros) a 6000 pies (1829 metros)	Elevación desde 6000 pies (1829 metros) a 8000 pies (2438 metros)	Elevación desde 28000 pies (2438 metros) a 100000 pies (3048 metros)
40300	37076	34109	31381	28870

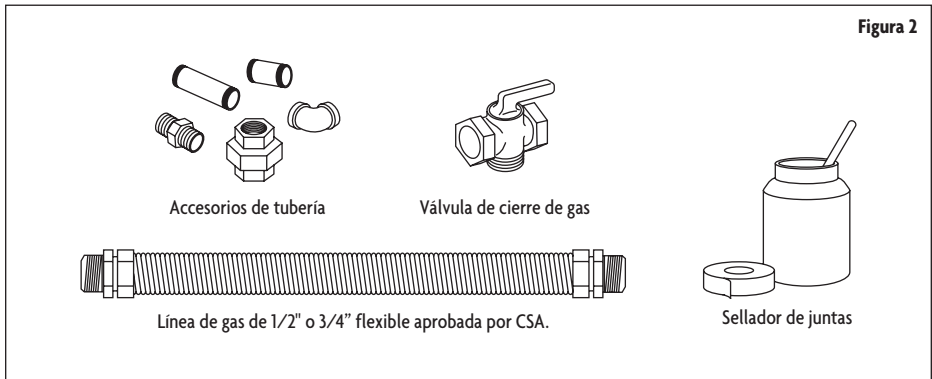
# REQUISITOS DE INSTALACIÓN

**▲ IMPORTANTE:** Este aparato debe ser instalado únicamente por un técnico calificado y de acuerdo con las instrucciones de instalación del fabricante, las regulaciones locales sobre ajuste de gas, los códigos de construcción municipal, las normas de cableado eléctrico y las normas sobre suministro de agua.

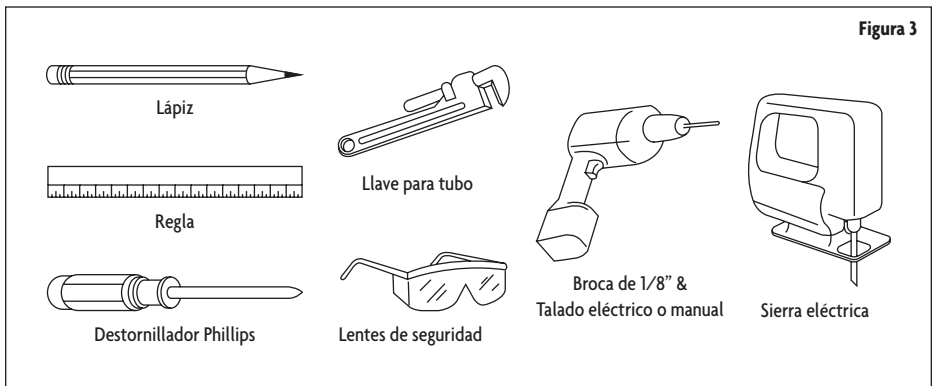
**▲ IMPORTANTE:** Guarde estas instrucciones para uso de los inspectores de electricidad local. Lea y guarde estas instrucciones para uso futuro.

## HERRAMIENTAS Y PIEZAS

### Herramientas requeridas



### Piezas requeridas



## REQUERIMIENTOS LOCALES

El aire necesario para la combustión de gas debe fluir naturalmente en el cuarto. El aire debe fluir hacia el cuarto directamente a través de las aberturas en las paredes exteriores. Estas aberturas deben tener una sección cruzada no obstruida de no menos que  $2\text{m}^3/\text{h}$  por cada Kw de poder.

- La abertura debe ser construida de manera que no sea obstruida desde adentro o afuera, o construida cerca del piso. La abertura se recomienda que esté en la parte opuesta a la cual se descargan los gases de salida.
- Evite colocar ebanistería directamente sobre la placa de cocina en lo posible. Si se utiliza ebanistería sobre la superficie para cocinar, utilice gabinetes que no tengan una profundidad mayor de 13".
- Las áreas de trabajo adyacentes a la placa de cocinadeben tener un espacio mínimo de 18" entre la encimera y la parte inferior del gabinete. Asegúrese de que los revestimientos de paredes, las encimeras y los gabinetes alrededor de la placa de cocina, puedan soportar calor (de hasta 200°F) generado por la placa de cocina.

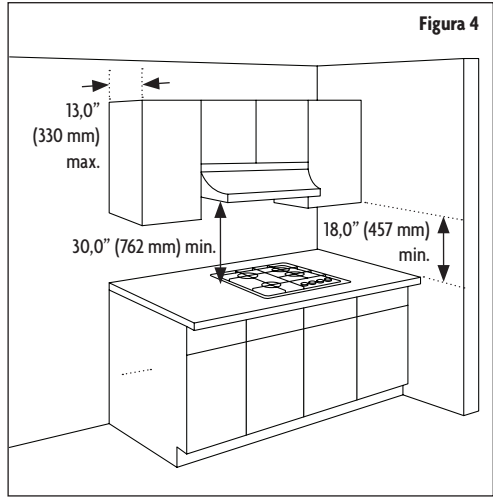


Figura 4

- Mantenga 30" de distancia mínima entre la placa de cocina y los gabinetes instalados arriba de la placa de cocina.
  - Si se instala una campana extractora sobre la placa de cocina, es importante que sea mantenido un espacio mínimo de 30" entre la placa de cocina y la parte inferior de la campana extractora. La campana extractora debe estar conectada directamente a conductos de humo o al exterior.
  - Una campana extractora con un mínimo de 350CFM que se proyecte al menos 5" mas allá de la parte del frente de los gabinetes puede reducir el riesgo de quemaduras causadas al alcanzar excesivo calor las unidades de la superficie.

## REQUISITOS DEL SUMINISTRO ELÉCTRICO Y DE GAS.

La instalación debe cumplir con los códigos locales. En ausencia de códigos locales, la placa de cocina a gas debe cumplir con el Código Nacional de Gas Combustible ANSI Z223.1 - última edición en los Estados Unidos, o en Canadá CAN/CGA B149.1, y CAN/CGA B149.2, y el Código Eléctrico Nacional ANSI/NFPA No. 70 - última edición en los Estados Unidos, o en Canadá CSA Estándar C22.1, Código Eléctrico Canadiense, Parte 1, y los requisitos de los códigos locales.

### Requisitos del suministro de gas

El suministro de gas debe estar ubicado cerca de la abertura para esta placa de cocina y a un mínimo de 1" de la pared posterior. Esta placa de cocina se ha manufacturado para gas natural y está diseñada para funcionar a presión de columna de agua de 5". El regulador se requiere para suministrar un mínimo de 6" de columna de agua a un máximo de 14" de columna de agua al regulador de la placa de cocina.

### Requisitos de suministro eléctrico

La función de encendido de chispa eléctrica para este modelo requiere de un suministro eléctrico de 120V y debe ser ubicado 12" debajo de la encimera y dentro del alcance del cable de alimentación de cuatro pies de la placa de cocina.

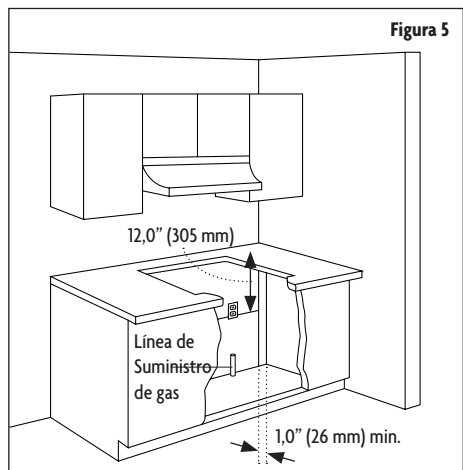


Figura 5

# INSTRUCCIONES DE INSTALACIÓN

**⚠ ADVERTENCIA:** La instalación y servicio deben ser realizados por un instalador calificado, una agencia de servicio o el proveedor de gas. No seguir estas instrucciones puede resultar en muerte, incendio o descarga eléctrica.

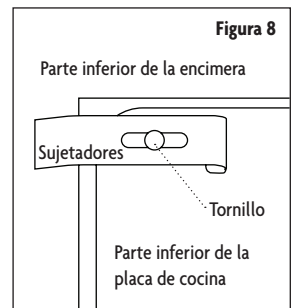
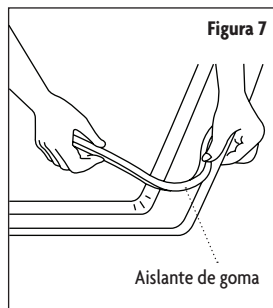
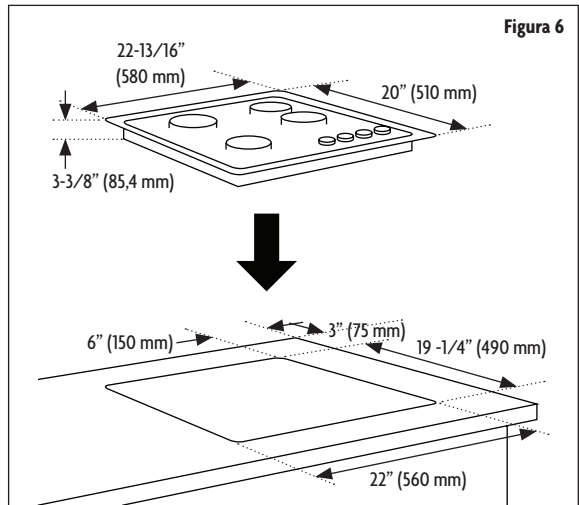
**⚠ IMPORTANTE:** Guarde estas instrucciones para uso de los inspectores de electricidad local. Lea y guarde estas instrucciones para futuro uso.

**⚠ ADVERTENCIA:** Instalaciones para gas y electricidad

- La placa de cocina está manufacturada para usarse con gas natural. La placa de cocina puede convertirse para uso con gas propano utilizando el juego de conversión a propano que viene con la placa de cocina.
- Asegúrese de que la placa de cocina que está siendo instalada es correcta para el tipo de gas que es utilizado.
- Consulte la etiqueta de clasificación ubicada en la parte de abajo de la caja del quemador.
- Cuando conecte la unidad para gas propano, asegúrese de que el tanque de propano esté equipado con su propio regulador de alta presión.
- Adicionalmente, el regulador de presión provisto con la placa de cocina debe ser instalado en la tubería de entrada de gas que va a la placa de cocina.

## INSTALACIÓN DE LA PLACA DE COCINA

1. Use como gabinete de 24" o de base más profunda.
2. Corte la abertura en la encimera. Para asegurar precisión, lo mejor es hacer una plantilla para la abertura. Asegúrese de que los lados estén paralelos y también que los cortes del frente y los posteriores estén exactamente perpendicular a los lados. Tenga en cuenta todas las distancias mínimas. (Consulte la Figura 6).
3. Antes de instalar la placa de cocina en la abertura en la encimera, remueva todas las parrillas y tapas de los quemadores.
4. Voltee la placa de cocina al revés y coloque el aislante / burlete especial de goma alrededor del borde inferior de la placa de cocina. Es importante que el aislante sea fijado sin ningún espacio o solapamiento, esto es para prevenir que se filtre líquido por debajo de la placa de cocina. (Consulte la Figura 7).
5. Después de que el aislante sea instalado, coloque la placa de cocina en la encimera. (Consulte la Figura 6).



6. Asegure la placa de cocina desde debajo con los sujetadores provistos y los tornillos. (Consulte la Figura 8).

## CONEXIÓN DE GAS

### ▲ **ADVERTENCIA:** Peligro de explosión

- Use una línea de suministro de gas nueva aprobada por CSA International.
- Instale una válvula de cierre.
- Apriete firmemente todas las conexiones de gas.
- Si está conectado a PL, haga que un técnico calificado se asegure de que la presión de gas no exceda una columna de agua de 14" (36 cm).
- Ejemplos de un técnico calificado incluyen: personal licenciado de servicio de sistema de calefacción y personal autorizado para dar servicio.
- No seguir estas instrucciones puede resultar en muerte, explosión o incendio.

▲ **ADVERTENCIA:** NUNCA reúse un conector flexible viejo. La utilización de un conector flexible viejo puede causar fuga de gas y lesiones personales.

▲ **NOTA:** SIEMPRE utilice un conector flexible nuevo al instalar un aparato de gas.

▲ **NOTA:** SIEMPRE aplique compuesto para roscas aprobado para su uso con PL o gas natural a todas las conexiones de rosca.

### Regulador de presión de gas

El regulador de presión de gas suministrado con esta placa de cocina debe ser utilizado. Para el correcto funcionamiento, la presión de entrada al regulador debe ser como se indica a continuación. (Consulte la Figura 9).

#### Gas natural

- Presión mínima de entrada: 5" WCP (presión de columna de agua)
- Presión máxima de suministro: 6" WCP (presión de columna de agua)

#### Gas PL

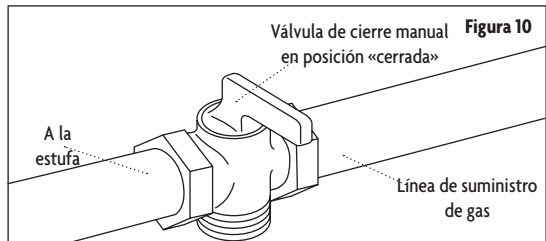
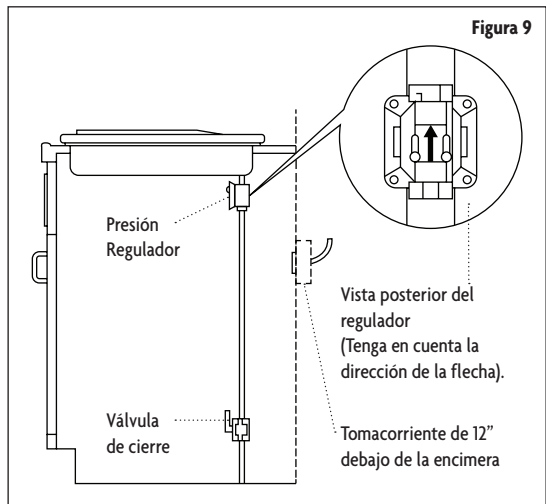
- Presión mínima de entrada: 11" WCP (presión de columna de agua)
- Presión máxima de suministro: 12" WCP (presión de columna de agua)

▲ **NOTA:** Póngase en contacto con su proveedor de gas local si usted no está seguro sobre la presión de entrada.

El regulador de presión debe ser conectado en serie con el múltiple de la placa de cocina y debe quedar en serie con la línea de suministro, independientemente del tipo de gas utilizado.

### Válvula de cierre de gas

La línea de suministro de gas debe estar equipada con una válvula de cierre manual. Esta válvula debe ser ubicada



en el mismo cuarto pero externa a la placa de cocina. La misma debe estar en un lugar que permita fácilmente el abrirla y cerrarla. NO bloquee el acceso a la válvula de cierre. Esta válvula es para encender o apagar el gas a la placa de cocina. (Consulte la Figura 10).

**▲ IMPORTANTE:** Es importante saber cómo y dónde apagar el suministro de gas a la placa de cocina.

1. La entrada de gas está ubicada en la parte inferior de la placa de cocina, en la parte posterior y a 8½ del borde del lado derecho de la placa de cocina. Haga la conexión de gas a través de la pared posterior o en el gabinete del piso en la parte posterior. Instale el suministro de gas de la casa al menos a 1" de la pared posterior.
2. Cuando instale, ajuste la tapa de seguridad en el extremo de la tubería. La placa de cocina está manufacturada y probada para gas natural.

**▲ IMPORTANTE:** Asegúrese de que el tipo de gas que está siendo suministrado a la placa de cocina, es el mismo que el gas que se indica en la etiqueta que está fijada en la parte de abajo de la placa de cocina.

**▲ NOTA:** Todas las conexiones deben ser apretadas con llave de tuerca. Utilice sólo el compuesto de unión de tubería hecho para uso con gas natural y PL.

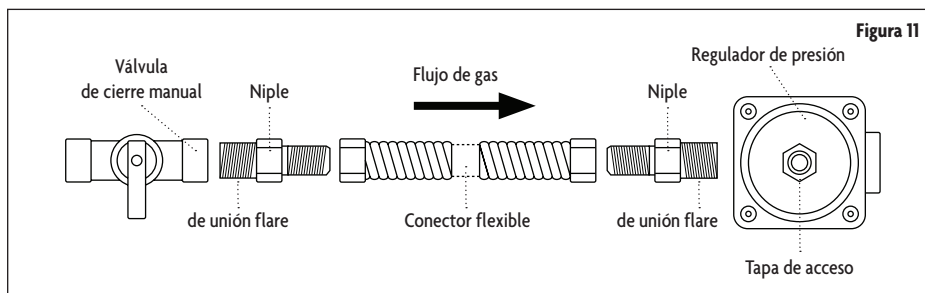


Figura 11

3. Instale el regulador de presión con la flecha apuntando hacia la parte inferior de la base de la placa de cocina y en la posición donde pueda alcanzar la tapa del regulador.
  - NO apriete demasiado las conexiones al regulador de presión de gas. Apretar excesivamente las conexiones puede romper el regulador y causar fuga de gas.
  - NO permita que el regulador encienda la tubería cuando esté apretando.
4. Aplique el compuesto de unión de tubería hecho para usarse con gas natural / PL a los extremos de roscas más pequeñas de los adaptadores del conector flexible.
5. Fije 1 adaptador y niple al regulador de presión de gas y el otro a la válvula de cierre de gas y niple a la válvula de cierre de gas. Apriete ambos adaptadores y niples.
6. Empleando llave y alicates fije el conector flexible a ambos adaptadores. Verifique para asegurarse de que el conector no esté torcido o dañado.

#### Completar la conexión de gas

1. Verifique que todas las perillas de los quemadores estén en la posición de OFF (APAGADO).
2. Abra la válvula de cierre manual en la línea de suministro de gas.
  - La válvula está abierta cuando la manija está paralela a la tubería de gas.
3. Pruebe todas las conexiones aplicando con un cepillo una solución de detección de fuga no corrosiva aprobada.
  - Las burbujas indican una fuga, corrija cualesquiera fugas que encuentre.
4. Verifique la alineación de las perillas de control de las válvulas luego de conectar la placa de cocina al suministro de gas, para estar seguro de que no se haya movido el múltiple de la tubería de la placa de cocina.



**▲ PRECAUCIÓN:** La desalineación puede causar que los vástagos de la válvula causen fricción sobre el panel de control, dando como resultado una fuga de gas en la válvula.

**▲ NOTA:** Desconecta la placa de cocina y su válvula de cierre manual del sistema de tubería de suministro de gas durante toda prueba de presión efectuada en dicho sistema a presiones de prueba mayores de ½lb/pulg<sup>2</sup> manométrica (3,5 kPa o columna de agua de 14”).

**▲ NOTA:** Aísla la placa de cocina del sistema de la tubería de suministro de gas, cerrando su válvula de cierre manual durante toda prueba de presión efectuada en dicho sistema a presiones de prueba iguales o menores de ½lb/pulg<sup>2</sup> manométrica (3,5 kPa o columna de agua de 14”).

## CONVERSIÓN DE GAS

**▲ ADVERTENCIA:** Peligro de explosión

- Use una línea de suministro de gas nueva aprobada por CSA International.
- Instale una válvula de cierre.
- Apriete firmemente todas las conexiones de gas.
- Si está conectado a PL, haga que un técnico calificado se asegure de que la presión de gas no exceda una columna de agua de 14” (36 cm).
- Ejemplos de un técnico calificado incluyen: personal licenciado de servicio de sistema de calefacción y personal autorizado para dar servicio.
- No seguir estas instrucciones puede resultar en muerte, explosión o incendio.

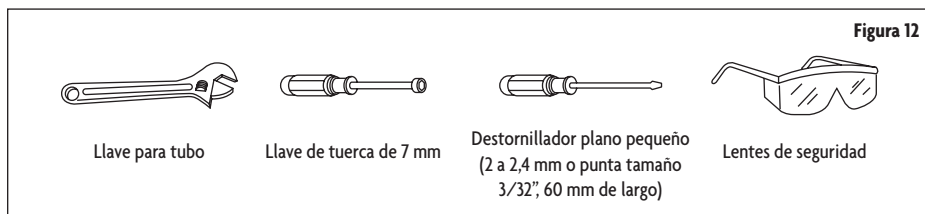
Esta estufa puede ser usada con gas natural o gas propano / PL. La estufa está manufacturada de la fábrica para usarse con gas natural. Se suministra un juego para convertir a gas propano / PL con su placa de cocina. El juego está marcado «Para conversión a gas propano / PL».

**▲ NOTA:** Cuando la placa de cocina es convertida a gas propano / PL, se requiere un suministro de gas PL para proveer un mínimo de 10” a un máximo de 14” de columna de agua al regulador de la placa de cocina.

La conversión debe ser llevada a cabo por un técnico calificado de acuerdo con el juego de instrucciones y con todos los códigos / requerimientos locales.

**▲ PRECAUCIÓN:** No seguir las instrucciones puede resultar en lesiones graves.

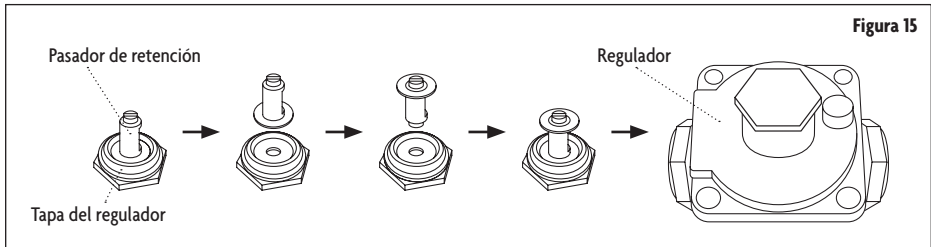
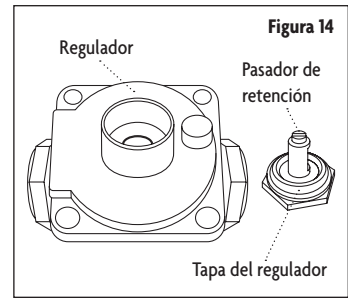
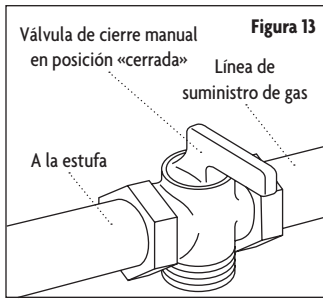
Piezas requeridas



Convertir a gas propano / PL

Tipo de quemador	Salida Max.	Salida Min.	Gas natural		GPL	
	Kw	Kw	Boquilla (mm)	Cons (M <sup>3</sup> /h)	Boquilla (mm)	Cons (g/h)
Quegador auxiliar	1	0,3	1 x 1,10	0,1	1 x 0,70	73
Quegador semirrápido	2	0,55	1 x 1,20	0,19	1 x 0,80	124
Quegador de tres anillos	4,5	1,5	5 x ø0.99	0,43	5 x ø0.56	327

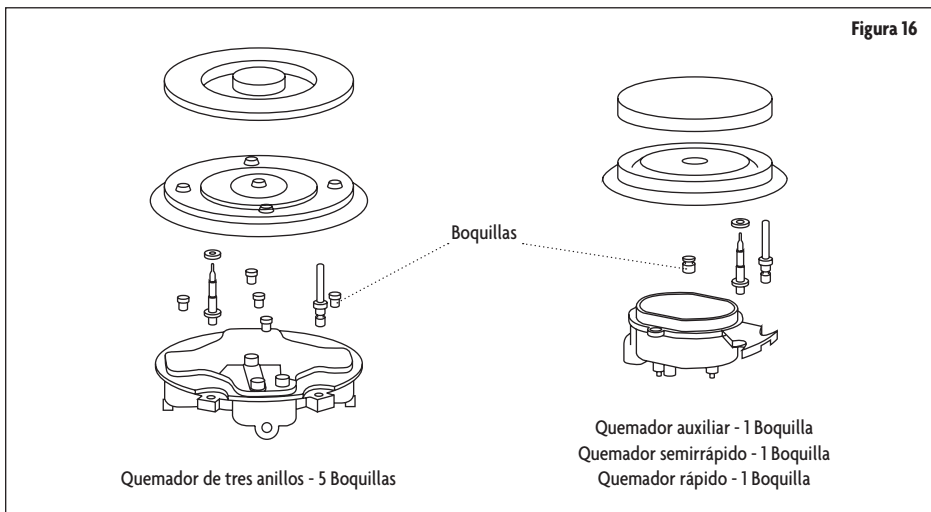
1. Gire la válvula de cierre manual a la posición de cerrado. (Consulte la Figura 13).
2. Desenchufe la estufa o desconecte la electricidad.
3. Desatornille la tapa del regulador con la llave. (Consulte la Figura 14).



1. Quite el pasador de retención que está actualmente posicionado para usar con gas natural. (Consulte la Figura 15).
2. Voltee hacia abajo el pasador de retención y reinstale en la tapa del regulador. (Consulte la Figura 15).
3. Atornille la tapa del regulador de nuevo en el regulador y reajuste el regulador al niple y al niple de unión flare. (Consulte la Figura 15).

### Conversión de los quemadores de la placa (gas natural a gas PL)

1. Quite las parrillas de los quemadores, las tapas de los quemadores y los cabezales de los quemadores.
2. Usando una llave de tuerca de 7 mm, retire los orificios de los quemadores.



3. Instale los orificios adecuados en reemplazo de los que fueron retirados.
4. Reinstale las bases de los quemadores, los cabezales y las parrillas superiores. Asegúrese de que las tapas de los quemadores estén correctamente asentadas en los cabezales de los quemadores.

**▲ NOTA:** El quemador triple sólo tiene dos inyectores, un inyector instalado en el centro y otro instalado debajo de cubierta. Para tener acceso al segundo inyector, retire los dos tornillos y la tapa de cubierta.

**▲ IMPORTANTE:** Una vez que la conversión haya sido completada y haya pasado la prueba, complete la etiqueta de conversión e incluya su nombre, organización y la fecha de conversión. Fije la etiqueta cerca de la salida de gas de la placa de cocina para alertar a otros en el futuro, de que este aparato ha sido convertido. Si se convierte de nuevo a gas natural, retire la etiqueta de manera que otros tengan conocimiento que el aparato está configurado para usar su gas original.

## CONEXIÓN ELÉCTRICA

**▲ ADVERTENCIA:** Peligro de descarga eléctrica

- SIEMPRE desconecte el enchufe eléctrico del tomacorriente antes de hacer mantenimiento a esta unidad.
- Conecte a un tomacorriente de 3 puntas conectado a tierra.
- NO quite la punta de conexión a tierra del enchufe del cable de alimentación.
- NO utilice un adaptador.
- NO utilice un cable de extensión.
- No seguir estas instrucciones puede resultar en muerte, incendio o descarga eléctrica.

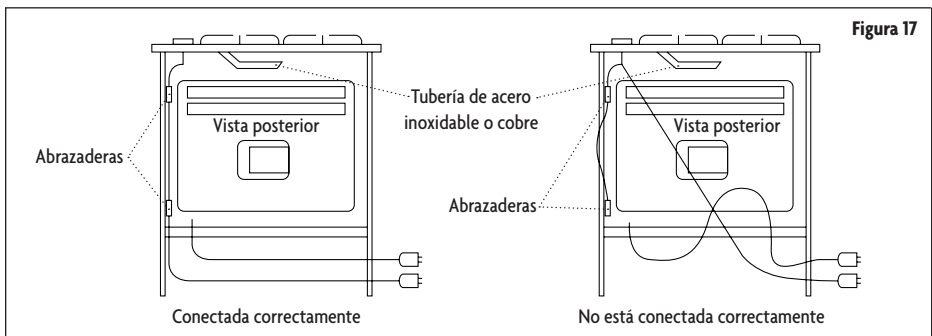
**▲ NOTA:** Antes de hacer una conexión eléctrica, asegúrese de lo siguiente.

- El interruptor de seguridad y el sistema eléctrico son capaces de soportar la carga del aparato.
- El sistema de suministro eléctrico tiene una conexión a tierra en buenas condiciones de funcionamiento de conformidad con el reglamento.
- El tomacorriente debe ser fácilmente accesible con el aparato instalado. En todos los casos, el cable de alimentación eléctrica debe estar posicionado de manera que no alcance una temperatura de 122°F por encima de la temperatura del cuarto en ningún punto.

**▲ ADVERTENCIA:** Descarga o daño grave a la placa de cocina puede ocurrir si la placa de cocina no está instalada por un técnico de servicio calificado.

**▲ ADVERTENCIA:** Si por alguna razón se gira una perilla de control de gas a ON (ENCENDIDO) y hay o no hay energía eléctrica para operar el encendedor electrónico de la placa de cocina, apague todas las perillas de control de gas y espere 5 minutos para el gas se disipe antes de encender el quemador manualmente.

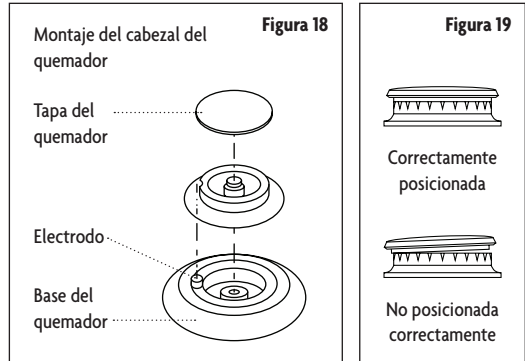
**▲ ADVERTENCIA:** Para encender el quemador manualmente, cuidadosamente acerque un fósforo encendido a los puertos de los quemadores y empuje y gire la perilla de control de gas a HI (ALTO) hasta que se encienda y luego gire la perilla a la posición deseada.



## Montaje de los quemadores

El electrodo del sistema de encendido electrónico está ubicado arriba de la superficie de la base del quemador. NO quite la tapa del quemador, ni toque el electrodo de un quemador mientras otro esté encendido. Daño o descarga eléctrica puede ocurrir.

1. Coloque las tapas de los quemadores encima de la base del quemador. Asegúrese de que el hueco en el cabezal del quemador esté correctamente alineado con el electrodo en la base del quemador. (Consulte la Figura 18).
2. Coloque las tapas de los quemadores en los cabezales del quemador. Asegúrese de que las tapas de los quemadores estén correctamente asentadas en los cabezales del quemador. (Consulte la Figura 19).
3. El funcionamiento de los encendedores eléctricos debe ser probado después de haber verificado cuidadosamente la placa de cocina y la línea de suministro de fugas y que la placa de cocina haya sido conectada a la red eléctrica.
  - Para revisar los encendedores, empuje y gire una válvula del quemador a la posición de encendido. Todas las chispas harán una serie de chispazos, pero sólo el quemador girado a LITE se encenderá.

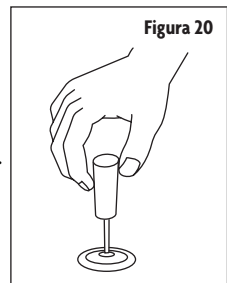


## CÓMO VERIFICAR EL FUNCIONAMIENTO

### Cómo ajustar el quemador estándar

**▲ IMPORTANTE:** Los ajustes se deben hacer con otros dos quemadores en funcionamiento, fijados a posición de fuego medio. Esto previene que la fila superior de las llamas sean ajustadas muy bajo, resultando en que la llama se extinga cuando otros quemadores estén encendidos.

1. Gire todos los quemadores a la posición más alta y verifique las llamas. Las llamas deben ser todas de color azul (el gas PL tendrá llamas azules con puntas amarillas). Partículas extrañas en la línea de gas pueden causar una llama anaranjada de primero, pero debe desaparecer en un período de tiempo corto.
2. Encienda un quemador y gire a la posición más baja.
3. Gire la perilla de control a la posición deseada a la que desea ajustar.
4. Inserte el destornillador a través del hueco de acceso en el eje de la válvula. (Consulte la Figura 20).
5. Gire despacio el destornillador hasta que la apariencia de la llama sea la correcta.
  - Si las llamas son muy pequeñas o revolotean, abra la válvula más que la configuración original.
  - Si las llamas son muy grandes, cierre la válvula más que la configuración original.



### Probar la estabilidad de la llama

- Prueba 1: Gire rápido las perillas de control de “HI” (ALTO) a “LOW” (BAJO). Si la fila de arriba de las llamas se va en esta posición, aumente el tamaño de la llama y pruebe otra vez.
- Prueba 2: Con el quemador en “LOW” (BAJO), abra y cierre la puerta del gabinete debajo de la placa de cocina. Si la llama es extinguida por la corriente de aire creada por el movimiento de la puerta, aumente la altura de la llama y pruebe nuevamente.

### Detector de llama

- Después de que los ajustes de las llamas se hayan hecho, gire todos los quemadores a la posición de off (apagado).
- ENCIENDA (“LITE”) cada quemador individualmente y observe la llama en la posición “HI” (ALTO).
- Gire la perilla del quemador a la posición más baja y asegúrese de que el tamaño de la llama se reduzca conforme la perilla sea girada en el sentido de las agujas del reloj.

# INSTRUCCIONES DE FUNCIONAMIENTO

## ▲ **ADVERTENCIA:** Peligro de incendio

- NO encienda un quemador con un utensilio de cocina vacío o sin utensilio de cocina en la parrilla.
- NO toque el quemador cuando los encendedores estén haciendo clic (chispa).
- NO permita que las llamas del quemador se extiendan más allá del borde de la cacerola.
- Apague todos los controles cuando haya concluido de cocinar.
- No seguir estas instrucciones puede resultar en muerte o incendio.
- SIEMPRE utilice la posición LITE cuando esté encendiendo los quemadores de la superficie superior y asegúrese de que los quemadores se hayan encendido.
- NUNCA deje los quemadores de la superficie desatendidos cuando estén puestos en fuego alto. Los botes al hervir pueden causar derrames grasientos y humo que pueden prender un incendio.
- SIEMPRE gire el mango del utensilio de cocina hacia el lado o hacia atrás de la estufa sin que se extienda sobre la superficie de los quemadores adyacentes.
- SIEMPRE gire los controles de los quemadores a la posición de apagado antes de retirar el utensilio de cocina.

▲ **PRECAUCIÓN:** Las llamas excesivas son peligrosas. Ajuste el tamaño de la llama del quemador de manera que no se extienda más allá del borde del utensilio de cocina.

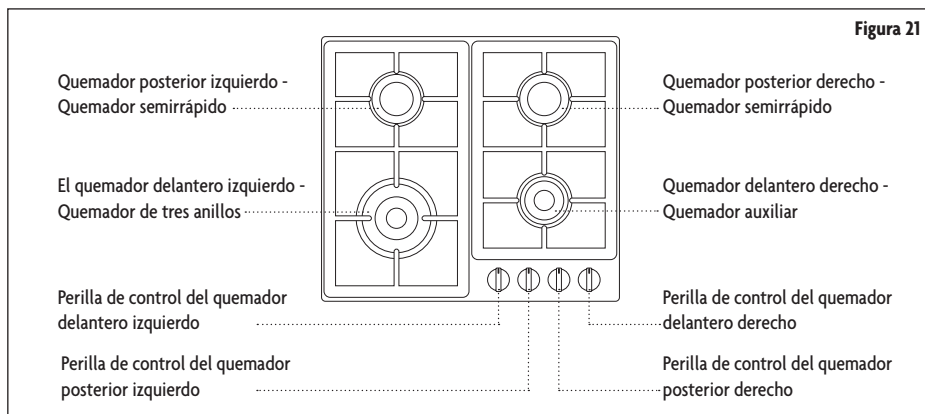
▲ **PRECAUCIÓN:** Cuando utilice agarra ollas. Utilice sólo agarra ollas secos, ya que los agarra ollas húmedos o mojados en superficies calientes pueden resultar en quemaduras de vapor. NO permita que los agarra ollas se acerquen a las llamas encendidas cuando levante el utensilio de cocina.

▲ **PRECAUCIÓN:** Cuando utilice utensilios de cocina de vidrio. Asegúrese de que el vidrio del utensilio de cocina es adecuado para la superficie de cocción de la estufa.

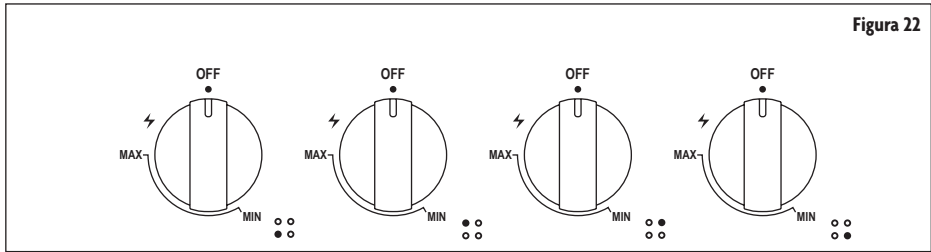
▲ **PRECAUCIÓN:** Mantenga todos los artículos plásticos apartados de la superficie de cocción, ya que ellos se pueden derretir si se dejan muy cerca del calor.

▲ **PRECAUCIÓN:** Cuando retire las parrillas para cocinar, SIEMPRE tenga certeza de que los controles de todos los quemadores estén en posición de off (apagado). Asegúrese que todas las parrillas para cocinar estén frías antes de intentar removerlas.

## PLACA DE COCINA

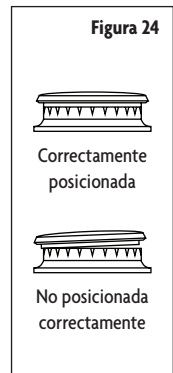
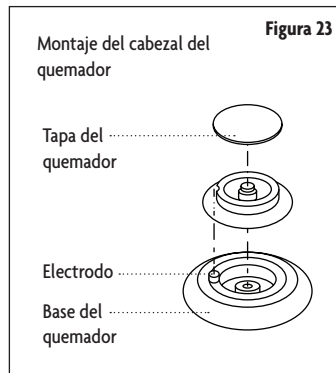


## PERILLAS DE CONTROL



## QUEMADORES

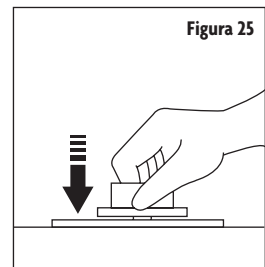
- Coloque una tapa de quemador en cada cabezal de quemador, haciendo coincidir el tamaño de la tapa con el tamaño del cabezal. (Consulte la Figura 23).
- La tapa para cada quemador tiene un anillo de localización interior que centra la tapa correctamente en el cabezal del quemador.
- Asegúrese de que todas las tapas de los quemadores y los cabezales de los quemadores estén colocados correctamente ANTES de usar su aparato.
- El color de la llama reflejará el ajuste adecuado del quemador. Una buena llama debe ser clara, azul y constante. Si la llama es de color amarillo-anaranjado entonces los quemadores necesitan ser ajustados o limpiados.



## ENCENDIDO ELÉCTRICO DEL GAS

Los quemadores de gas utilizan un aparato de encendido eléctrico ubicado cerca de cada quemador. Por medio de encendedores de chispa aseguran que la superficie de la placa de cocina se encenderá automáticamente.

1. Presiones y gire la perilla de control en el sentido de las agujas del reloj a la posición LITE. Todos los quemadores de la superficie harán clic pero sólo el quemador con la perilla de control colocada en LITE producirá una llama.
2. Después que el quemador se encienda mantenga la perilla presionada hacia abajo por 10 segundos. (Consulte la Figura 25). Esto permite al termopar o termocople calentarse y activar la válvula de seguridad.
3. Verifique que la llama sea uniforme y gire la perilla de control al tamaño deseado de la llama.



**⚠ PRECAUCIÓN:** SIEMPRE use precaución extrema cuando encienda los quemadores manualmente.

4. En los casos de interrupción del suministro eléctrico, con cuidado acerque un fósforo encendido a los puertos de los quemadores y empuje y gire la perilla de control de gas a HI (ALTO) hasta que se encienda y luego gire la perilla a la posición deseada.

**⚠ NOTA:** SIEMPRE coloque el utensilio de cocina en la parrilla del quemador ANTES de encender el quemador.

**⚠ PRECAUCIÓN:** La llama NO DEBE extenderse más allá de los lados de la cacerola o sartén.

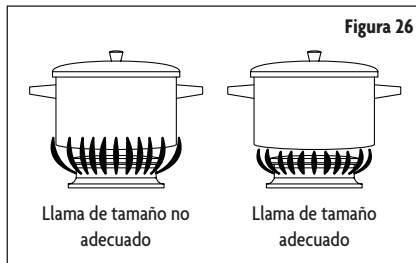
▲ **NOTA:** Si alguna llama del quemador se apaga debido a viento o por otras razones, la válvula de gas detendrá el suministro de gas. Para encender de nuevo el quemador, gire la válvula de gas a la posición de encendido y presione hacia abajo la perilla para encender el quemador.

## UTENSILIO DE COCINA

▲ **PRECAUCIÓN:** NUNCA extienda la llama más allá del borde exterior del utensilio de cocina. (Consulte la Figura 26).

NO utilice utensilios de cocina que sean inestables o de fácil volcadura ya que ello puede incrementar las probabilidades de derrames y lesiones graves. Para evitar derrames asegúrese de que el utensilio de cocina es suficientemente grande para contener adecuadamente el alimento.

NO permita que las llamas del quemador se extiendan más allá del borde de la sartén o cacerola.



### Uso de las tapas de los utensilios de cocina

Utilice sólo tapas que se ajusten a los utensilios de cocina. Esto permitirá acortar y hacer más eficiente el tiempo de cocción.

### Cocinar con ollas para hacer envasado de alimentos (canners) y olla a presión

El canner y la olla a presión deben cumplir los estándares requeridos para cocinar en placa de cocina. Verifique para asegurarse de que el(los) canner / olla de presión tienen una parte inferior plana y que está balanceada(o) en forma pareja en la placa de cocina. También verifique para asegurarse de que la tapa se ajuste correctamente al canner / olla de presión.

### Tamaño y tipo adecuados de sartenes / cacerolas

▲ **ADVERTENCIA:** No seguir estas instrucciones puede resultar en lesiones graves o muerte.

- UTILIZANDO EL TAMAÑO CORRECTO DE SARTEN / CACEROLA – Seleccione el utensilio de cocina que sea de tamaño apropiado para cubrir las parrillas sobre los quemadores.
- Use sólo ciertos tipos de vidrio, vidrio cerámica resistente al calor, cerámica, loza de barro cocido, u otros utensilios de cocina esmaltados que sean adecuados para la placa de cocina.
- NO use utensilios de cocina que sean inestables o de fácil volcadura ya que ello puede incrementar las probabilidades de derrames y lesiones graves. Para evitar derrames, asegúrese de que el utensilio de cocina es suficientemente grande para contener adecuadamente el alimento.
- NO permita que las llamas del quemador se extiendan más allá del borde de la sartén / cacerola.
- Apague todos los controles cuando los quemadores no estén en uso.

### Utensilios de cocina y características

Utilice el siguiente cuadro como guía para las características de los materiales de los utensilios de cocina.

Utensilio de cocina	Características
Aluminio	<ul style="list-style-type: none"> <li>• Calienta rápidamente y uniformemente.</li> <li>• Adecuado para todo tipo de cocción.</li> <li>• Espesor mediano o grueso es mejor para la mayoría de las tareas de cocina.</li> </ul>
Hierro fundido	<ul style="list-style-type: none"> <li>• Calienta lentamente y uniformemente.</li> <li>• Bueno para dorar y freír.</li> <li>• Mantiene el calor para la cocción lenta.</li> </ul>
Acero inoxidable	<ul style="list-style-type: none"> <li>• Calienta rápidamente, pero no uniformemente.</li> <li>• Un centro o base de aluminio o cobre en acero inoxidable proporciona calor uniforme.</li> </ul>



## FREÍR

SIEMPRE use un termómetro y ajuste la perillas de control de la superficie a la temperatura correcta. Si el aceite está muy frío los alimentos absorberán la grasa. Si el aceite está demasiado caliente los alimentos se dorarán rápidamente y el centro quedará crudo. NO intente freír demasiados alimentos a la vez ya que los alimentos no se van a dorar, ni cocinar adecuadamente.

**▲ PRECAUCIÓN:** Durante el proceso de cocción con grasas o aceites, vigile los alimentos cuidadosamente porque éstas sustancias pueden incendiarse si son llevadas altas temperaturas.

# CUIDADO Y MANTENIMIENTO

▲ **IMPORTANTE:** NO intente limpiar el aparato cuando la placa de cocina esté todavía caliente. Algunos limpiadores pueden producir vapores nocivos si se aplican a una superficie caliente. No seguir estas instrucciones puede resultar en lesiones corporales graves.

▲ **PRECAUCIÓN:** Para evitar posibles quemaduras o lesiones, NO intente realizar ninguna de las instrucciones de limpieza siguientes antes de APAGAR todos los quemadores de la superficie. SIEMPRE permita que todos los quemadores y las parrillas se enfrien antes de limpiar.

▲ **IMPORTANTE:** Cuando esté limpiando la placa de cocina, asegúrese de que todos los controles estén apagados y que todas las superficies estén frías antes de limpiar cualquier parte de la placa de cocina.

▲ **PRECAUCIÓN:** Algunos limpiadores pueden producir vapores nocivos si se aplican a una superficie caliente.

## Acero Inoxidable

- NO utilice esponjas para restregar que vienen con jabón, limpiadores abrasivos, limpiador de placa de cocina, esponjas de lana-acero, paños ásperos o papel absorbente abrasivo.
- Métodos de limpieza recomendados
- Se recomienda utilizar limpiador o pulitura para acero inoxidable.
- Se recomienda utilizar vinagre para manchas de agua dura.
- Se recomienda utilizar detergente líquido o limpiador de múltiples usos. Enjuague bien con agua limpia y seque con un paño suave libre de pelusas.
- Se recomienda restregar en la dirección del grano para evitar daños.

## Perillas de control

- Para la limpieza general, utilice agua caliente jabonosa y un paño. Para sucios de grasa acumulada aplique detergente líquido directamente sobre el área acumulada. Enjuague con un paño húmedo y seque.
- NO utilice lana de acero o limpiadores ácidos en las perillas de control.

## Parrillas y tapas de los extremos

- NO limpie hasta que las parrillas y las tapas se hayan enfriado.
- NO vuelva a montar las parrillas y tapas si todavía están húmedas.
- Para evitar que se desconchen, NO golpee las parrillas y tapas unas contra otras o contra superficies duras.
- Se recomienda utilizar limpiador abrasivo suave.
- Se recomienda utilizar un paño o una esponja para restregar de plástico no abrasiva.

## Difusor del quemador

- Se recomienda lavar frecuentemente el difusor del quemador con agua hirviendo y detergente para remover cualquier depósito acumulado. Esto mantendrá constante la salida de la llama.
- SIEMPRE seque cuidadosamente el difusor del quemador antes de instalarlo de nuevo.



## GARANTÍA LIMITADA

MC Appliance Corporation garantiza que todas las Placa de cocina a gas carecen de defectos en el material y la mano de obra y acuerda solucionar cualquiera de estos defectos o instalar la(s) parte(s) nueva(s) (a elección de la compañía) en caso de que la unidad haya fallado durante el periodo de garantía. Las partes y gastos de reparación están cubiertos en esta unidad por un periodo de un año a partir de la fecha de compra. Es necesario presentar una copia del recibo o factura de compra con fecha para obtener los servicios de la garantía, el reemplazo o el reembolso.

Esta garantía cubre los aparatos que se usen dentro de los Estados Unidos contiguos, Alaska, Hawái y Puerto Rico. La garantía no cubre lo siguiente:

- Daños debido al daño del envío o a la instalación incorrecta.
- Daños debido al mal uso o abuso.
- Pérdidas de contenido debido a falla de la unidad.
- Las reparaciones se realizaron por los agentes desautorizados del servicio.
- Llamadas de servicio que no implican defectos en material y la ejecución tal como instrucción en el uso apropiado del producto o de la instalación incorrecta.
- Reemplazo o reajuste de los fusibles o de los interruptores de la casa.
- Falla de este producto si se usa con fines distintos a los que fue diseñado.
- Costes de la disposición de unidades falladas no vueltas a nuestra fábrica.
- Todos los gastos de entrega/instalación incurridos como resultado de una unidad que no cumple con lo especificado.
- Gastos de viajes y el transporte de los productos principales de servicio si su aparato está situado en una zona remota donde el servicio por un técnico de servicio no está disponible.
- La remoción y reinstalación de su gran aparato, si está instalado en un lugar inaccesible o no está instalado de conformidad con las instrucciones de instalación publicadas.
- Restituciones por productos no reparables se limita al precio pagado por la unidad por el recibo de compra.
- Esta garantía es intransferible. Esta garantía es válida exclusivamente para el comprador original y no se extiende a ningún otro propietario o propietarios subsiguientes.

### Limitaciones de remedios y exclusiones:

La reparación del producto de acuerdo con los términos de este documento, es el único y exclusivo remedio determinado en esta garantía limitada. Todas y cada una de las garantías implicadas, incluyendo la calidad de comerciable y capacidad para un propósito particular, se limitan mediante la presente a un año o el periodo más corto permitido por la ley. MC Appliance Corporation no es responsable por daños incidentales ni resultantes y ningún representante o persona alguna están autorizados para asumir de parte nuestra ninguna otra responsabilidad en relación con la venta de este producto. Bajo ninguna circunstancia se le permite al consumidor regresar esta unidad a la fábrica sin consentimiento previo por escrito de MC Appliance Corporation.

Algunos estados prohíben la exclusión o limitación por daños incidentales o resultantes, o limitaciones en las garantías implícitas. Esta garantía le otorga a usted derechos legales específicos, y usted puede también tener otros derechos que varían según la entidad federal/va donde se encuentre.

Modelo	Piezas	Trabajo	Tipo de servicio
MCCTG24S	Uno año	Uno año	Lleve adentro

Para servicio o asistencia, llame por favor al **888-775-0202**. O visítenos en [www.mcappliance.com](http://www.mcappliance.com) para solicitar el servicio de garantía o repuestos.



**CNA International, Inc. d/b/a MC Appliance Corporation. All rights reserved.  
Magic Chef® logo is a registered trademark of CNA International, Inc.**

**[www.mcappliance.com](http://www.mcappliance.com)**

**Printed in China**