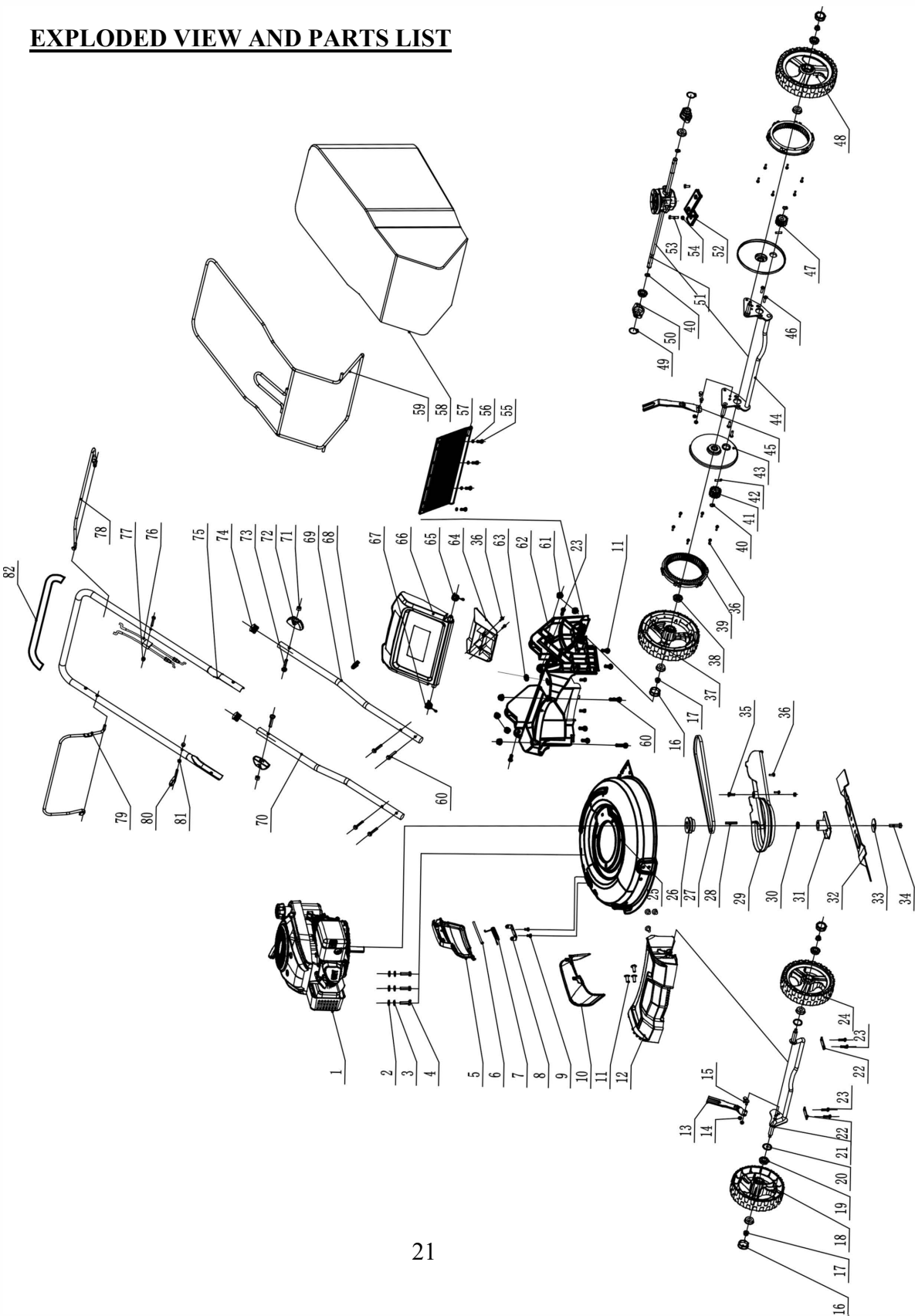


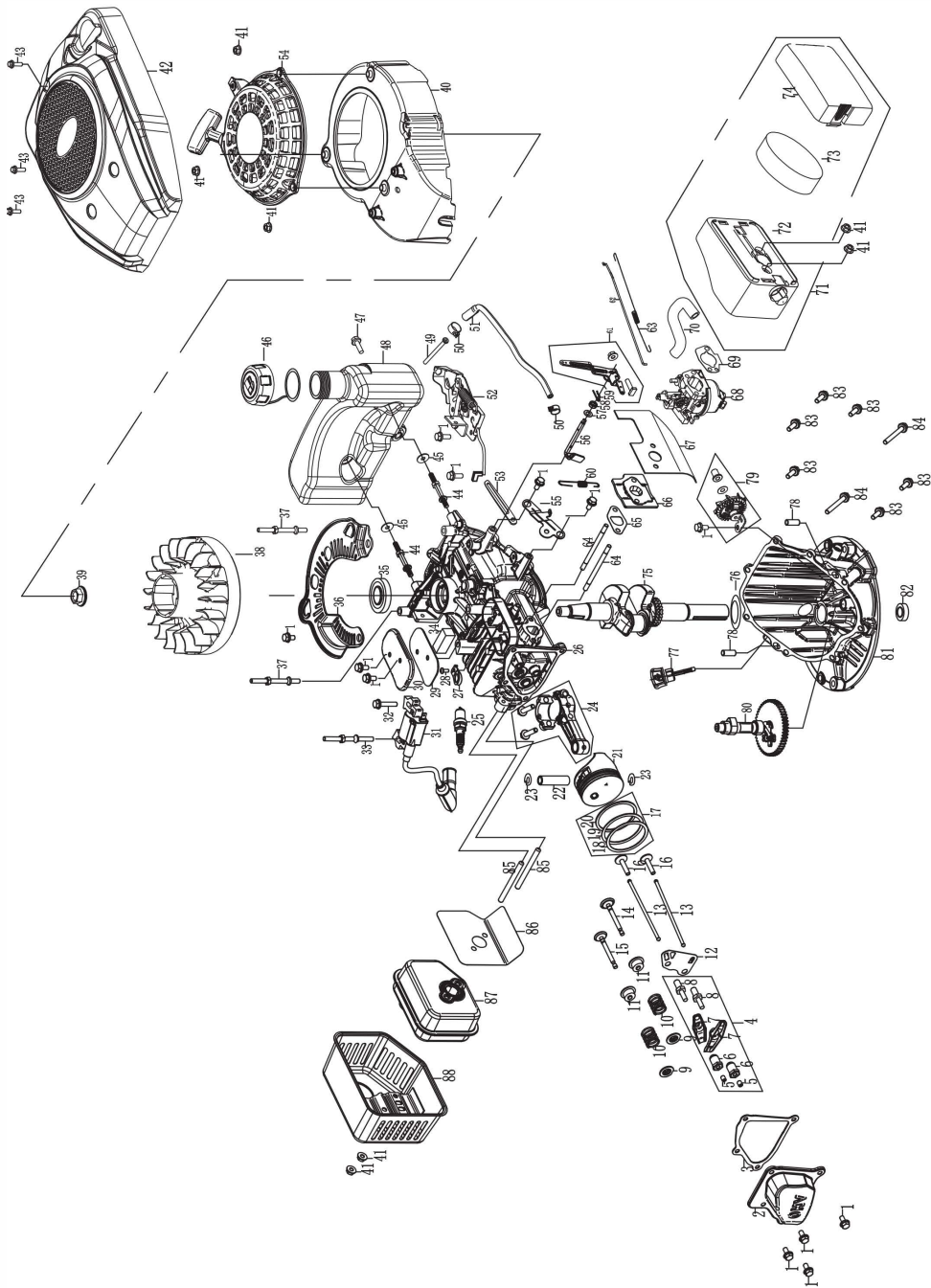
EXPLODED VIEW AND PARTS LIST



Item	Stock#	Description	Qty
1	303190275	Engine	1
2	303042023	Flat washer	3
3	303041022	Washer	3
4	303020265	Hex washer screw M8×30mm	3
5	203050381	Side discharge deflector	1
6	303090066A	Spring pin shaft	1
7	303130335	Torsional spring	1
8	303160456	Side discharge Bracket	1
9	303020468	Hex washer screw	3
10	203050382A	Side discharge chute	1
11	303010332	Self-tapping screw	10
12	20305039A	Front cover	1
13	303071058	Front adjustment spring leaf assembly	1
14	303030032	Nylon locknut M6	4
15	303020339	Hex washer screw M6X14	4
16	203050393	Wheel cover	4
17	303030077	Flange nylon nut M8	4
18	203050490	7"Right wheel	1
19	203021115	Front axle seaming	4
20	303043005	Axle keeper	2
21	303180934	Front axle seaming	1
22	303071034	Axle keeper	2
23	303010216	Self-tapping screw	6
24	203050491	7" left wheel	1
25	303180943a	21"steel deck	1
26	303160454	Small pulley	1
27	302040073	Belt	1
28	303110030	Square Key	1
29	203050396	Belt cover	1
30	303160741	Flat washer	1
31	303181119	Blade connector	1
32	303071297	21"blade	1
33	303043023A	Butterfly washer	1
34	303240517	Blade Bolt	1
35	303020341	Square bolt	1
36	303010095	Self tapping screw	16
37	203050492	8" Right wheel	1
38	303100065	Stamping bearings	6
39	203021209	internal gear	2
40	303050007	Shaft ring	4
41	303160470A	Advance gear Right	1

Item	Stock#	Description	Qty
42	303123017A	Cylindrical pin	2
43	203010851	Rear defense cover	2
44	303180942	Rear self drive axle seaming	1
45	303071059	Rear adjustment spring leaf	1
46	303010185	Tapping screw	4
47	303160471A	Advance gear Left	1
48	203050493	8"Left wheel	1
49	303050050	Shaft ring	2
50	203021208	Rear axle sleeve	2
51	303240504A	Drive assembly	1
52	303071049A	Fixed support	1
53	303020308	Hexagon head bolt	2
54		Nut	1
	303020615		
55	303010176	Self-tapping screw	5
56	303042043	Flat washer	4
57	302080050A	Rubber sheet	1
58	302120048	Grass collector	1
59	303080491	Collector holder	1
60	303020558	Self-tapping screw	6
61	303030087	Square Nut	7
62	203050400A	Rear base	1
63	302060025	Rubber stopper	1
64	203050389	Rear block cover	1
65	303130336	Rear cover torsional spring left	1
66	203050390A	Rear cover	1
67	303130337	Rear cover torsional Spring right	1
68	203040007	Wire clip	1
69	303080488B	Lower Tube L	1
70	303080503B	Lower tube R	1
71	303030026	Nut	2
72	203020336A	Knob	2
73	303020057	T bolt	2
74	302060012	End cap	2
75	303080489	Upper Tube	1
76	303200100	Cable	1
77	303030025	Cap nut	2
78	303080630	Drive control bar	1
79	303080490	Cutting control bar	1
80	303160531A	Hook	1
81	303030065	Nut	1
82	302020010	sponge	1

ENGINE EXPLODED VIEW AND PARTS LIST



Item	Stock #	Description	Qty
1	5787.06012.00.01	Reel bolt (6×12)	11
2	E65.0001.001.00.00	Cylinder head cover(1P65FE)	1
3	E65.3000.001.00.00	Gasket ,cylinder head cover(1P65FE)	1
4	E65.0100.001.00.00	Rocker assembly(1P65FE)	1
5	E65.0100.001.00.04	Lock nut	2
6	E65.0100.001.00.03	Adjust nut sphere	2
7	E65.0100.001.00.02	Rocker	2
8	E65.0100.001.00.01	Stud,rocker assembly	2
9	168.0060.001.00.00	Spring seat intake valve	2
10	168.0040.001.00.00	Valve spring	2
11	F68.0085.001.00.00	Oil baffle over	2
12	E65.1480.001.00.00	Pusher guide	1
13	E65.0160.001.00.00	Pusher (1P65FE)	2
14	E65.0020.001.00.00	Intake valve Φ21*62.35 (1P65FE)	1
15	E65.0030.001.00.00	Exhaust valve Φ19*62.75 (1P65FE)	1
16	E65.1030.001.00.00	Tappet(1P65FE/Φ6×Φ18×30.8)	2
17	165.0210.001.00.00	piston ring assembly (1.0×1.0×2.5) 165F	1
18	165.0210.001.00.01	First air ring	1
19	165.0210.001.00.02	Second air ring	1
20	165.0210.001.00.03	Oil ring assembly	1
21	E65.0200.001.00.00	Piston 1P65FE	1
22	P65.0220.001.00.00	Piston pin 1P65F	1
23	160.0230.001.00.00	Cli piston pin 1P65F	2
24	G65.0190.001.00.00	Connecting rod assembly 1P65FE-1	1
25	E65.2160.001.00.00	Spark plug(1P65FE)	1
26	E65.1000.001.00.00	Grankcase body 1P65FE	1
27	E65.7061.001.00.00	Respiration valve (1P65FE)	1
28	0818.04010.00.01	Cross round head screw (4×10)	1
29	E65.1352.001.00.00	Back oil chamber cover gasket	1
30	E65.1351.001.00.00	Return oil chamber cover seal	1
31	E65.2100.001.00.00	Ignition coil	1
32	5787.06030.00.01	Reel bolt(6×30)	1

Item	Stock #	Description	Qty
45	0096.06000.00.01	Flat mat (φ6)	3
46	E65.3200.C01.04.02	Fuel tank cap 1P65FE	1
47	5787.06025.00.01	Reel bolt(6×25)	1
48	E65.3200.C01.04.01	Fuel tank 1P65FE	1
49	P70.3208.001.00.00	Filter	1
50	458.2360.007.00.00	Tubing clamps	2
51	E65.2330.C01.00.00	Tubing (6*10*255mm) 1P65FE/CARB	1
52	E65.7070.001.00.00	Brake group assembly	1
53	188.1220.002.00.00	Line pressing board	1
54	E65.2000.001.04.02	Start pull plate (1P65FE)	1
55	E65.1180.001.00.00	Speed control controller (1P65FE/Constant speed)	1
56	E65.1100.001.00.00	Sway bar	1
57	168.1110.001.67.00	WasherΦ6×Φ13×0.5	1
58	P70.3150.001.00.00	Oil seal (6*11*4)	1
59	168.1120.001.00.00	Split clip	1
60	E65.1150.001.00.00	Reset spring (length 50mm)	1
61	E65.1130.A01.00.00	Speed adjustment assembly (1P65FE)	1
62	E65.2275.001.00.00	Thorttle lever 1P65FE	1
63	E65.1160.001.00.00	Fine adjustment spring	1
64	0900.06089.00.01	Double head bolt 1P65FE (M6×89)	2
65	E65.3080.001.00.00	Intake seal 1P65FE	1
66	E65.2300.001.00.00	Carburetor patch	1
67	E65.2301.001.00.00	Carburetor insulation pad	1
68	E65.2260.004.00.00	Carburetor	1
69	E65.2280.001.00.18	Air filter gasket(1P65FE)	1
70	E65.2370.002.00.00	Exhaust pipe Φ8×φ14×60 (1P65FE)	1
71	P65.2280.004.00.00	Air filter assembly (1P65FE)	1
72	P65.2280.004.00.01	Air filter base	1
73	P65.2280.004.00.02	Filter element of air filter	1
74	P65.2280.004.00.03	Air filter cover	1
75	G65.0180.001.60.00	Crankshaft 1P65FE-1	1
76	P70.0185.001.00.00	Crankshaft Washer	

33	E65.7071.001.00.00	Double head bolt (pitch:29.5mm length:87.5mm) 1P65FE	1		77	E65.1230.001.03.00	Oil gauge assembly	1
34	E65.7080.001.00.00	Oil filter 1P65FE	1		78	E65.3170.001.00.00	Positioning pin 8×20(1P65FE)	2
35	E65.3150.001.00.00	Oil seal 25×45×7	1		79	E65.7059.001.00.00	Governor gear assembly 1P65FE	1
36	E65.2230.002.00.00	Windshield (1P65FE)/PP	1		80	E65.1040.001.62.00	Camshaft (1P65FE)	1
37	E65.7072.001.00.00	Double head bolt (pitch: 41.5,length: 6*85.5)1P65FE	2		81	E65.1010.002.00.00	Grankcase cover	1
38	E65.2040.001.00.00	Flywheel assembly (Aluminium alloy Lawn machine) 1P65FE	1		82	P65.3150.003.00.00	Oil seal 25*38*7	1
39	6177.14000.06.01	Reel nut (M14×1.5)	1		83	5787.06018.00.01	Reel bolt(6×18)	6
40	E65.2000.001.04.03	Start small cap 1P65FE	1		84	5787.06050.00.01	Reel bolt(6×50)	2
41	6177.06000.00.03	Reel nut (M6)	7		85	0900.06081.00.01	Double head bolt M6×81	2
42	E65.2000.001.04.01	Start cap 1P65FE	1		86	E65.3100.001.00.00	Exhaust gasket (1P65FE)	1
43	5787.05010.20.01	Cross plate bolt (5×10)	3		87	E65.2400.001.00.00	Muffler (1P65FE)	1
44	E65.7076.001.00.00	Double head bolt(Fuel tank) 1P65FE	2		88	E65.2402.001.00.00	Muffler outer cover 1P65FE	1