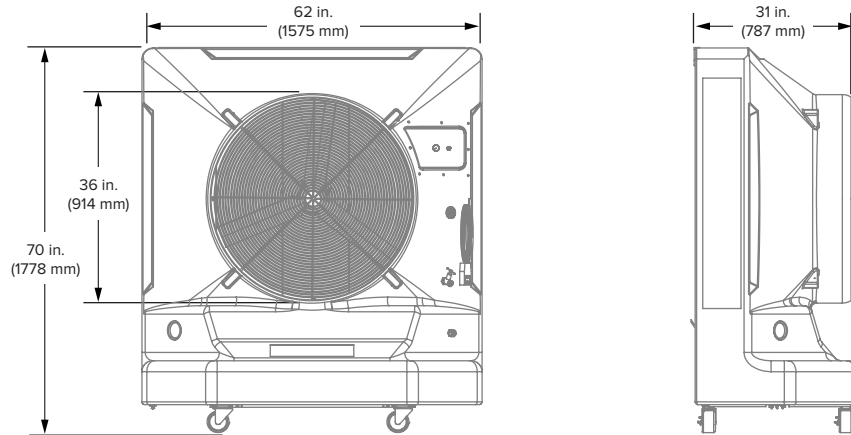


COLD FRONT 400/401

DELIVER COOLER CONDITIONS AT A MOMENT'S NOTICE



Technical Specifications

Model	Ordering Information	Drive	Motor	Weight	Water Capacity	Inlet Water Supply Pressure	Input power and required breaker	Environment ¹	Amperage ²	Airflow and Coverage	Sound Level ³	Operating Temperature
Cold Front 401	F-EV1-3601V61	Single Speed	0.5 hp (0.37 kW)	220 lb (99.8 kg)	46 gal (174 L)	120 PSI Max	120 VAC, 60 Hz, 1Φ, 15 A	Well-ventilated indoor or outdoor space	8 A	6400–9700 cfm 3600 sq ft	61 dBA	0 to 104 °F (-18 to 40 °C)
Cold Front 400	F-EV1-3601	Variable Speed	0.75 hp (0.5 kW)									

Construction

Housing	Motor	Power Supply	Water Supply	Cooling Media ⁴	Maintenance
UV-resistant roto-molded polyethylene housing Four locking swivel casters	High-efficiency, totally enclosed	Ground fault protected power cord plugs into standard electrical outlet Cord wrap for easy storage	Accepts standard garden hose or portable supply tank Water level regulated by float valve Low-water shutoff for pump longevity	Made from thick cross-corrugated, angle-fluted formulated cellulose Treated with thermosetting resin for strength and prevention of algae	Accessible reservoir cap for convenient water treatment access Drain plug and flush valve for water removal



Onboard Variable Speed Control
(Cold Front 400 only)

¹ Not suitable for salt air environments.
² Maximum amperage includes both the fan and pump ratings.
³ Fans are sound tested in a laboratory environment. Actual results in field conditions may vary due to sound reflecting surfaces and environmental conditions.
⁴ Cold Front 400 features black blades and an 8 in. (203 mm) cooling media treated with thermosetting resin. Cold Front 401 features silver blades and a 6 in. (152 mm) thick cooling media.

Lead times may vary.
See full warranty for coverage information.



USA
BIGASSFANS.COM
877-244-3267

CANADA
BIGASSFANS.COM
844-924-4277

AUSTRALIA
BIGASSFANS.COM/AU
1300 244 277

SINGAPORE
BIGASSFANS.COM/SG
65 6709 8500

MALAYSIA
BIGASSFANS.COM/SG
603 5565 0888