

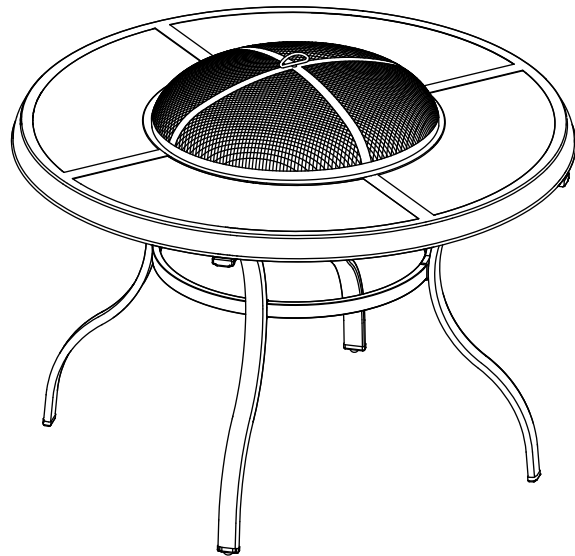


Item # 000 000

Model # FSS60428RSP

USE AND CARE GUIDE

REDWOOD VALLEY 5-PIECE FIRE PIT SET - QUARRY RED



Questions, problems, missing parts? Before returning to the store,
call Hampton Bay Customer Service
8 a.m. - 7 p.m., EST, Monday - Friday, 9 a.m. - 6 p.m., EST, Saturday

1-855-HD-HAMPTON

HAMPTONBAY.COM

THANK YOU

We appreciate the trust and confidence you have placed in Hampton Bay through the purchase of this fire pit set. We strive to continually create quality products designed to enhance your home. Visit us online to see our full line of products available for your home improvement needs. Thank you for choosing Hampton Bay!

Table of Contents

| | | | |
|--------------------------|---|-----------------------------|----|
| Table of Contents..... | 2 | Pre-Assembly..... | 3 |
| Safety Information | 2 | Planning Assembly..... | 3 |
| Product Caution | 2 | Hardware Included..... | 3 |
| Safety Warnings | 2 | Chair Package Contents..... | 4 |
| Warranty | 2 | Table Package Contents..... | 5 |
| What is Covered..... | 2 | Chair Assembly..... | 6 |
| What is Not Covered..... | 2 | Table Assembly..... | 13 |
| | | Care and Cleaning..... | 15 |

Safety Information

PRODUCT CAUTION

This Redwood Valley Fire Pit Set was made for the explicit purpose of providing outdoor functions and is not to be used as a toy. This product is not intended for inclement / severe weather in any form including, but not limited to: rain, hail, sleet, snow and / or wind. The manufacturer recommends that with formidable weather approaching that you store and / or cover this set. Do not locate product near open flame. Do not use product as a support. Do not shake, lean or climb on product. Children under the age of 10, near the product, should be supervised by a competent adult at all times. This product is NOT intended for commercial use and will void the warranty.

SAFETY WARNINGS



WARNING: Do not allow children to use or play near this outdoor fire pit.



CAUTION: Outdoor fire pits are only to be used in well ventilated areas a minimum of 20 ft. from building walls, overhangs, trees, etc. to prevent fires and melting of materials.



WARNING: Keep children, pets, loose clothing and hair safely away from outdoor fire pits. Failure to adhere to this could lead to severe personal injury or possible death.



CAUTION: To avoid fire hazards never leave a burning outdoor fire pit unattended.



WARNING: Place the outdoor fire pit on firm, level ground free of debris. This furniture is for outdoor use only.



CAUTION: Never use gasoline, kerosene, alcohol or other flammable fuel in or around the outdoor fire pit.



WARNING: All parts of the fire pit are hot during and after use. NEVER TOUCH WITH BARE HANDS! Use the poker to remove the mesh cover if needed.



CAUTION: Do not use during windy conditions or on wooden or composite decks.

Warranty

2 YEAR FRAME AND 2 YEAR LIMITED FABRIC WARRANTY

WHAT IS COVERED

We warrant the frame to be free of manufacturing defects to the original purchaser for two years, and a two year limited warranty for fabric.

WHAT IS NOT COVERED

It remains the customer's responsibility for freight and packaging charges to and from our service center. This warranty does not cover commercial use, hardware, acts of nature, fire, freezing and abusive use. In addition, purchased parts are not covered under this warranty. We reserve the right to make substitutions with similar merchandise, if the model in question is no longer in production.

Contact the Customer Service Team at 1-855-HD-HAMPTON or visit www.HamptonBay.com.

Pre-Assembly

PLANNING ASSEMBLY

Read all instructions before assembly.

To avoid damaging this product, assemble it on a soft, non-abrasive surface such as carpet or cardboard.

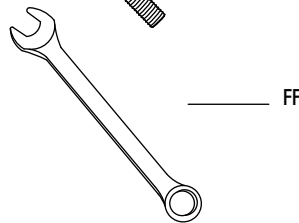
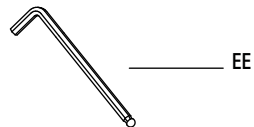
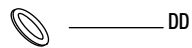
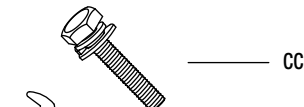
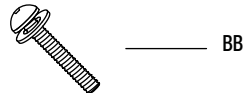
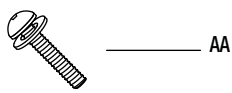


NOTE: More than one person may be required to complete the assembly of this product.

HARDWARE INCLUDED



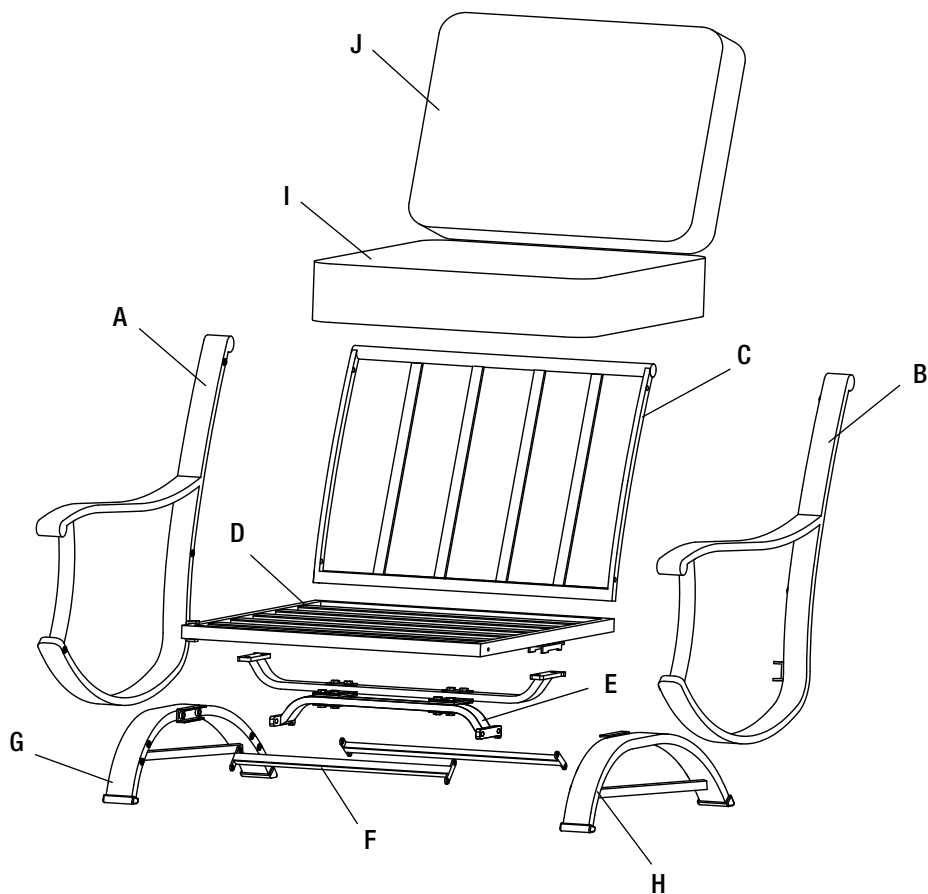
NOTE: Hardware not shown to actual size.



| Part | Description | Quantity |
|------|----------------------------|----------|
| AA | M6x25 combination bolt | 64+1 |
| BB | M6x30 combination bolt | 8+1 |
| CC | M8x28 combination hex bolt | 32+1 |
| DD | Plastic washer | 8+1 |
| EE | Hex wrench | 2 |
| FF | Wrench | 1 |

Pre-Assembly (continued)

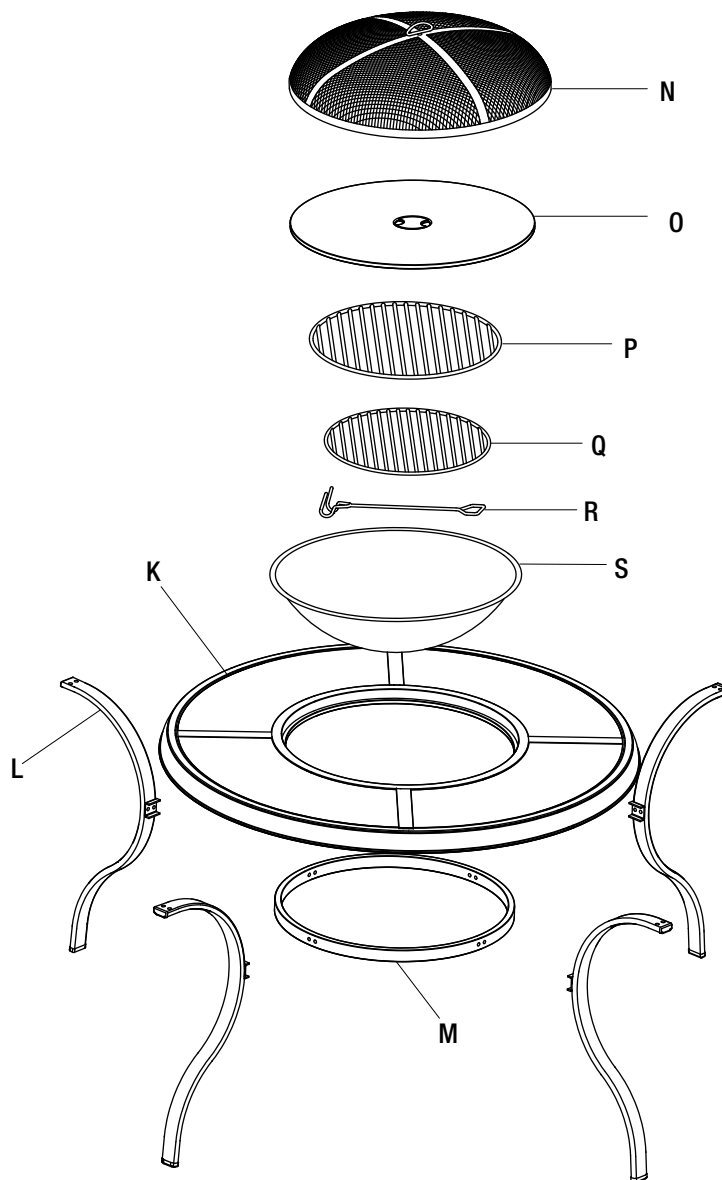
CHAIR PACKAGE CONTENTS



| Part | Description | Quantity |
|------|----------------|----------|
| A | Right arm | 4 |
| B | Left arm | 4 |
| C | Chair back | 4 |
| D | Chair seat | 4 |
| E | Support tube | 4 |
| F | Connection bar | 8 |
| G | Right leg | 4 |
| H | Left leg | 4 |
| I | Seat cushion | 4 |
| J | Back cushion | 4 |

Pre-Assembly (continued)

TABLE PACKAGE CONTENTS



| Part | Description | Quantity |
|------|----------------|----------|
| K | Table rim | 1 |
| L | Table leg | 4 |
| M | Leg connector | 1 |
| N | Cover | 1 |
| O | Lid | 1 |
| P | Barbecue grate | 1 |
| Q | Log grate | 1 |
| R | Poker | 1 |
| S | Fire bowl | 1 |

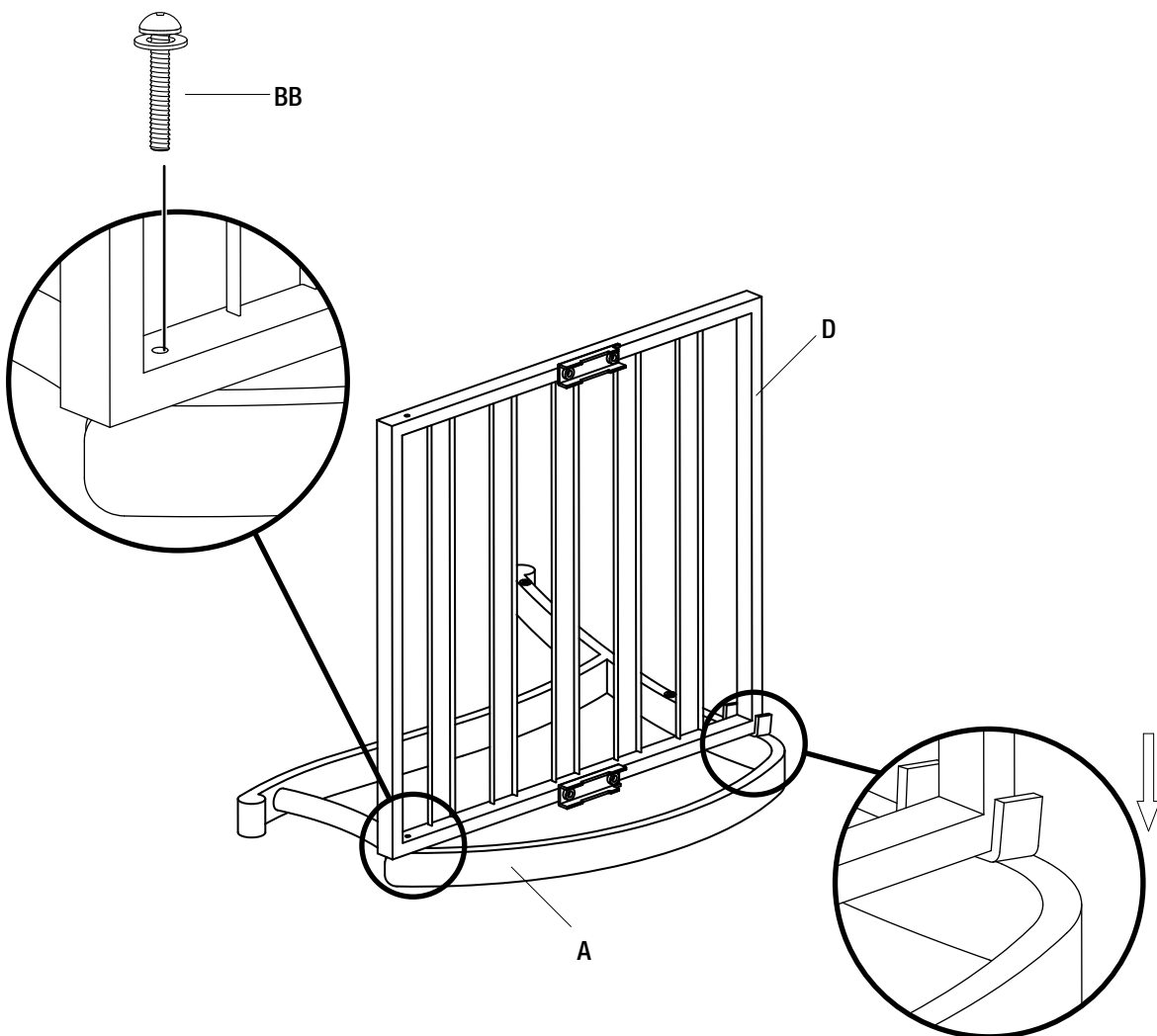
Chair Assembly

1 Attaching the right arm to the chair seat

- Place the right arm (A) on a soft surface.
- Attach the front end of the right arm (A) to the front end of the chair seat (D) using M6x30 combination bolts (BB).
- Attach the back end of the right arm (A) to the back end of the chair seat (D).



NOTE: Loosely tighten all the bolts using the hex wrench (EE).



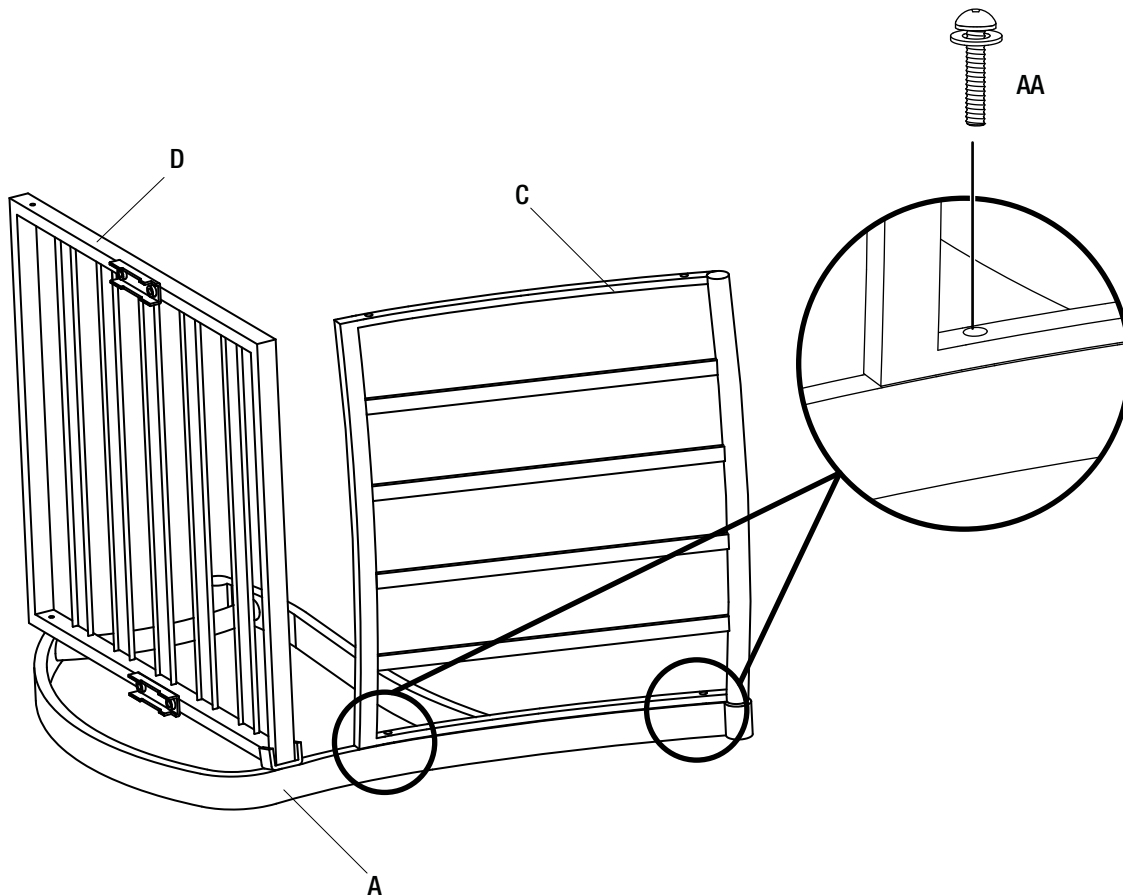
Chair Assembly (continued)

2 Attaching the right arm to the chair back

- Attach the right arm (A) to the chair back (C) using M6x25 combination bolts (AA).



NOTE: Loosely tighten all the bolts using the hex wrench (EE).



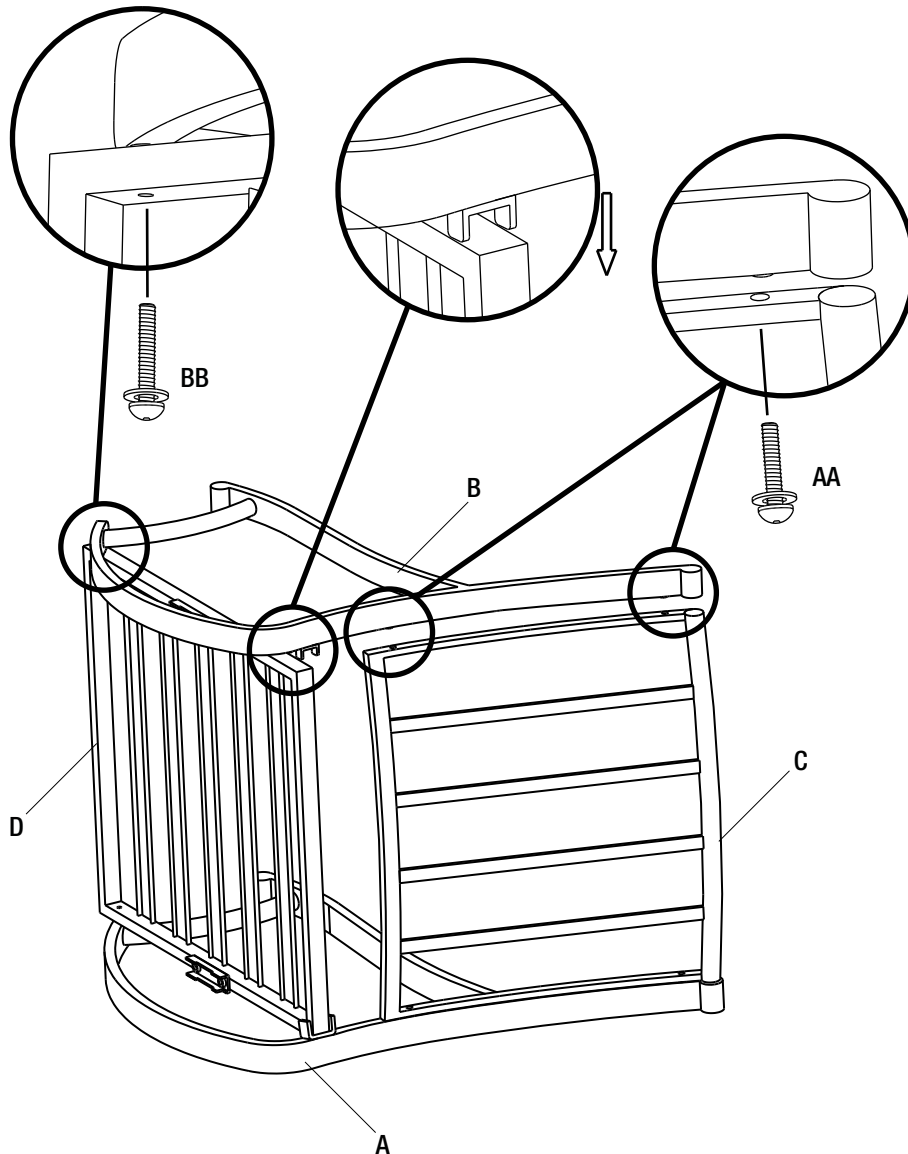
Chair Assembly (continued)

3 Attaching the left arm to the chair seat and back

- Repeat step 1 and step 2 to attach the left arm (B) to the chair seat (D) and the chair back (C).



NOTE: Loosely tighten all the bolts using the hex wrench (EE).



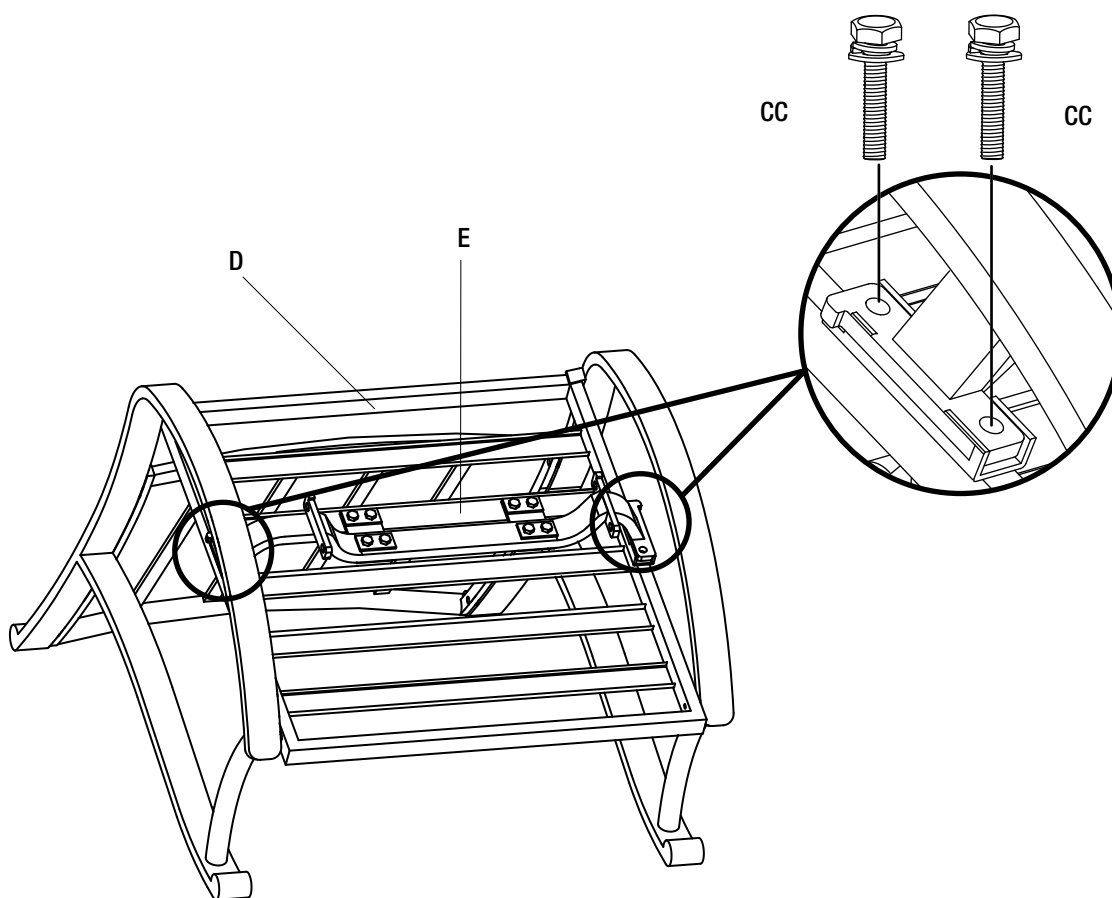
Chair Assembly (continued)

4 Attaching the support tube to the chair seat

- Attach the support tube (E) to the chair seat (D) using M8x28 combination hex bolts (CC).
- Do not fully tighten all the bolts at this step.



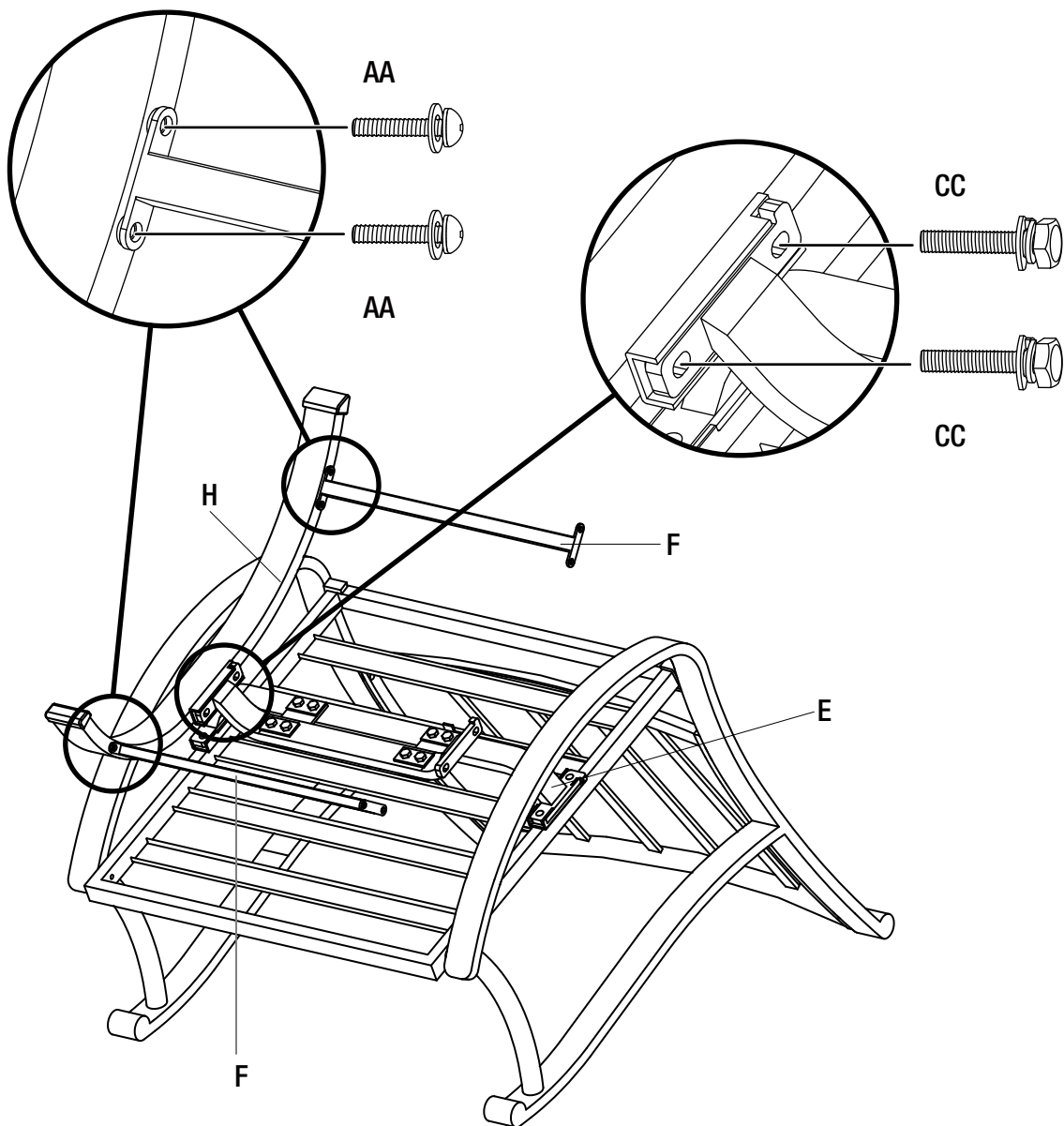
NOTE: Loosely tighten all the bolts using the hex wrench (EE).



Chair Assembly (continued)

5 Attaching the support tube and connection bar to the left leg

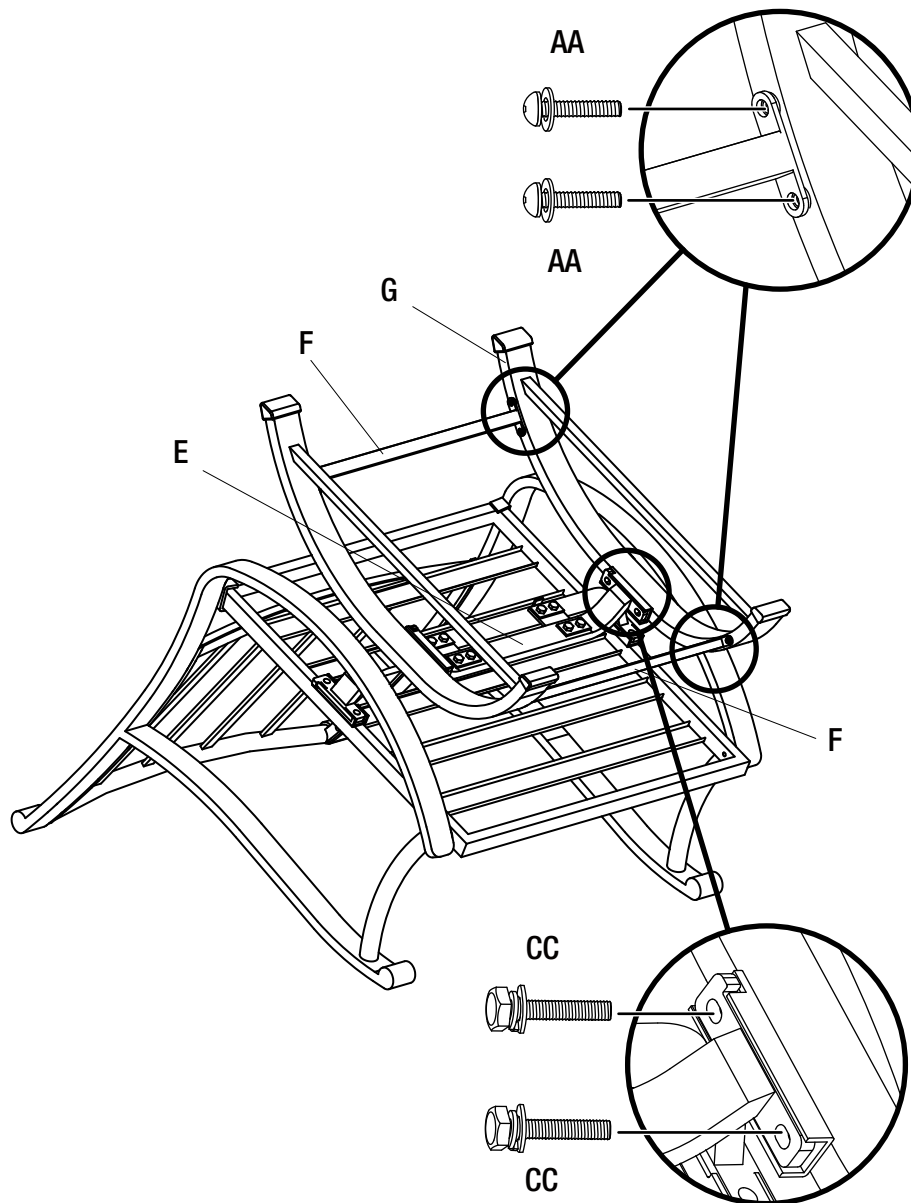
- Attach the left leg (H) to the support tube (E) using M8x28 combination hex bolts (CC) and attach the connection bar (F) to the left leg (H) using M6x25 combination bolts (AA).
- Do not fully tighten all the bolts at this step.



Chair Assembly (continued)

6 Attaching the right leg

- Repeat the step 5 for right leg (G).
- Once all of the bolts are in place, fully tighten the bolts using the hex wrench (EE) and the wrench (FF).



Chair Assembly (continued)

7 Checking the chair

- Turn the chair right side up.
- Place the seat cushion (I) and the back cushion (J) to finish the assembly of the chair.
- Ensure all connections are secure before use.

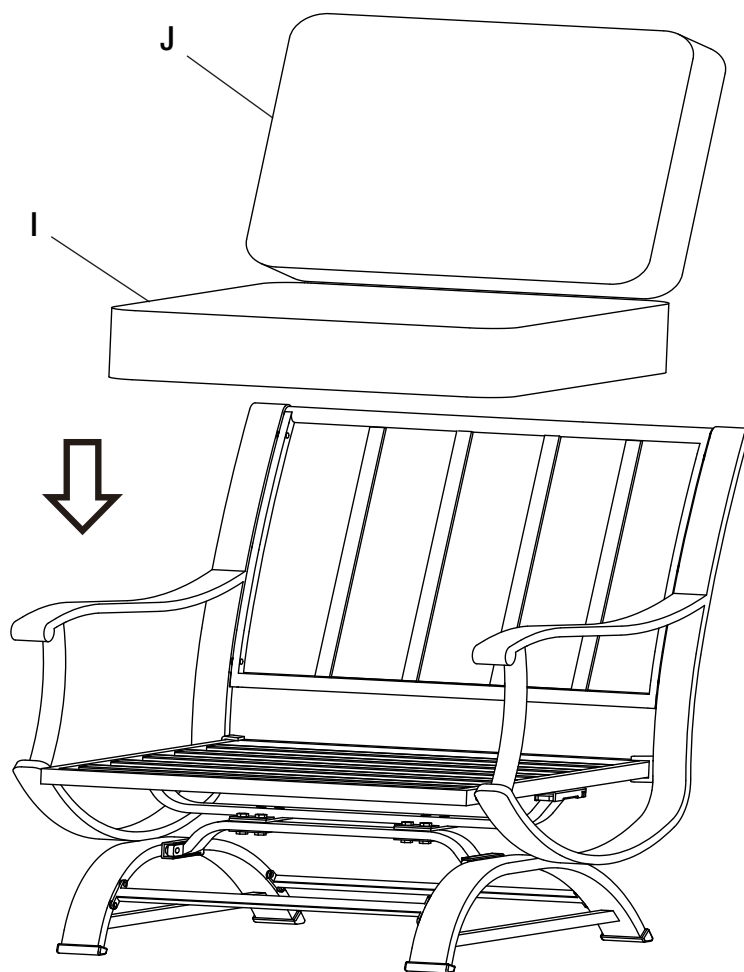


Table Assembly

1 Attaching the table legs to the table top

- Place the table top (K) upside down on a soft surface.
- Attach the table legs (L) to the table top (K) using M6x25 Combination bolts (AA) and plastic washers (DD).
- Do not fully tighten all the bolts at this step.

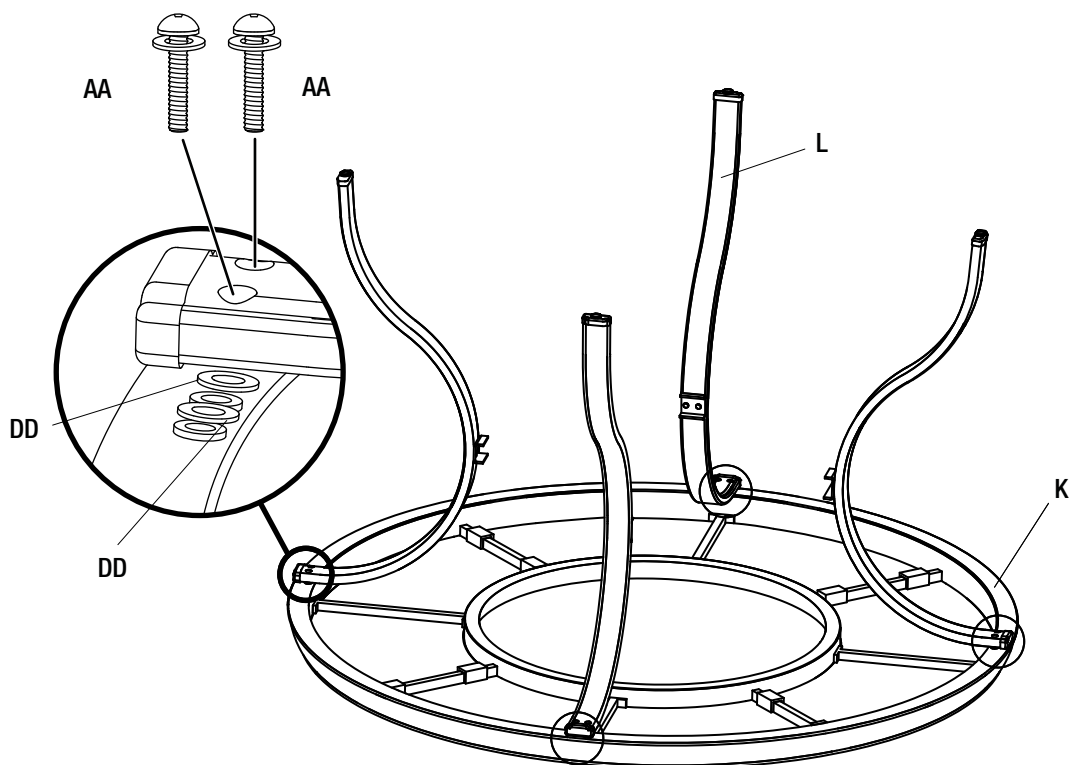


Table Assembly (continued)

2 Attaching the leg connector to the table legs

- Attach the leg connector (M) to the legs (L) using M6x25 combination bolts (AA).
- Once all of the bolts are in place, fully tighten the bolts using the hex wrench (EE).

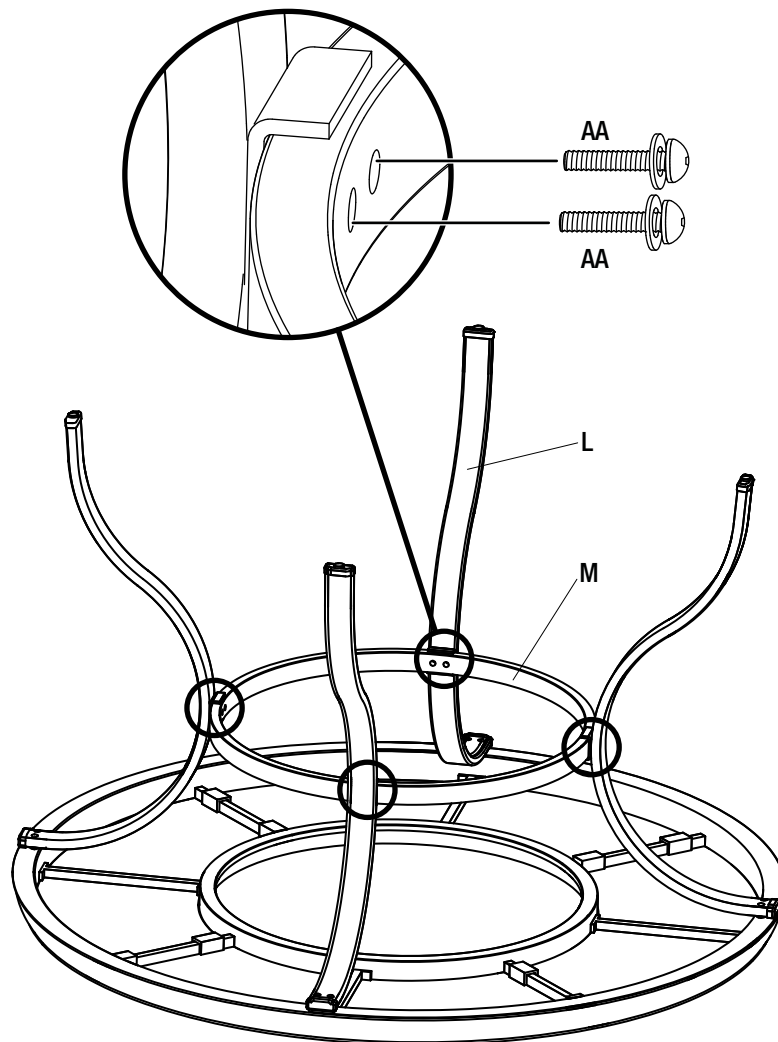
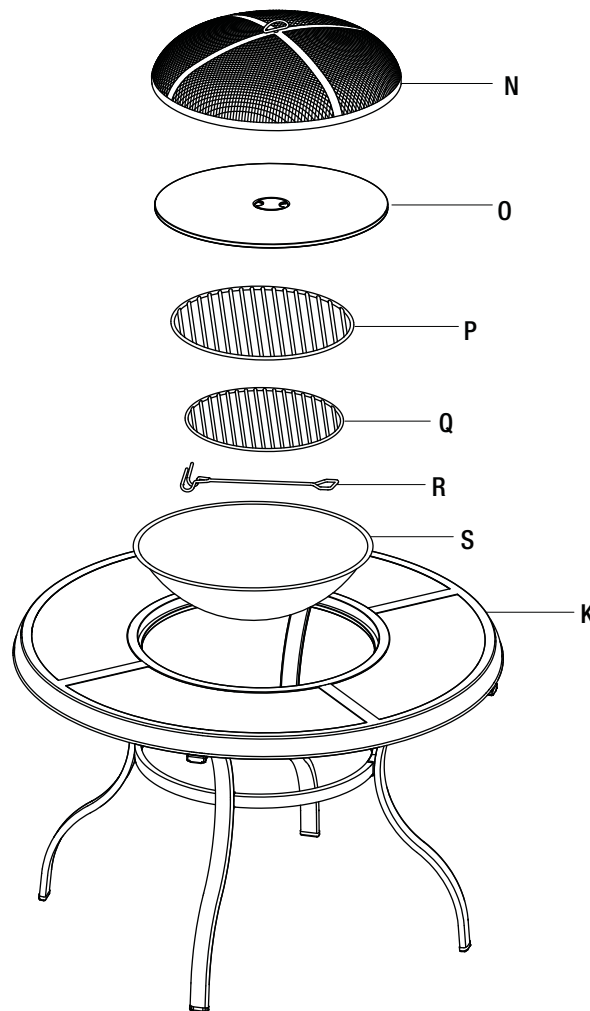


Table Assembly (continued)

3 Tightening all bolts and adding the fire pit

- Once all bolts are in place, fully tighten all bolts.
- Turn the table right side up.
- Carefully place the fire bowl (S) in the table rim (K).
- Then place the following in order, from bottom to top: the log grate (Q), the barbecue grate (P) and the lid (O) or the cover (N).
- When not in use, store the poker (R) under the log grate (Q).



Care and Cleaning

- For best results, clean the frame and cushions with a damp cloth and dry thoroughly. This will help prevent mildew by removing dirt particles that may accumulate.
- Do not clean with abrasive materials, bleach, or solvents.
- Store the table and chairs in a dry sheltered place when not in use.
- Keep the table and chairs away from extreme heat, freezing conditions, and inclement weather such as rain, hail, sleet, snow and wind.



Questions, problems, missing parts? Before returning to the store,
call Hampton Bay Customer Service
8 a.m. - 7 p.m., EST, Monday - Friday, 9 a.m. - 6 p.m., EST, Saturday

1-855-HD-HAMPTON

HAMPTONBAY.COM

Retain this manual for future use.