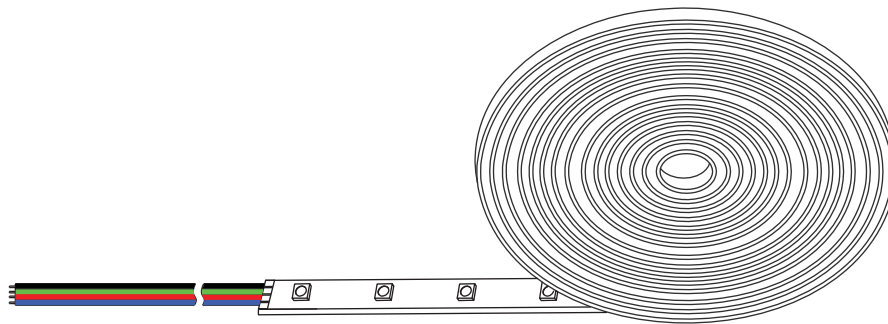


USE AND CARE GUIDE

20 Ft. LED RGB Tape Light Kit with Remote



Questions, problems, missing parts? Before returning to the store,
call Commercial Electric Customer Service
8 a.m. - 7 p.m., EST, Monday - Friday, 9 a.m. - 6 p.m., EST, Saturday

1-877-527-0313

HOMEDEPOT.COM

THANK YOU

We appreciate the trust and confidence you have placed in Commercial Electric through the purchase of this LED Power Supply. We strive to continually create quality products designed to enhance your home. Visit us online to see our full line of products available for your home improvement needs. Thank you for choosing Commercial Electric!

Table of Contents

Table of Contents	2	Preparing Installation	5
Safety Information	2	Installation.....	8
Warranty	3	Operation	10
Three (3) Year Warranty.....	3	Maintenance.....	10
What is Covered	3	Care and Cleaning	11
What is Not Covered	3	Troubleshooting	11
Pre-Installation	3	Specifications.....	11
Planning Installation	3	FCC Statement.....	12
Tools Required.....	3	Service Parts	12
Hardware Included	3		
Package Contents	4		

Safety Information

Always keep the user manual within reach while installing this LED tape. Please read and understand the user manual to ensure proper installation and use. Always pay attention to the technical data shown on the product. We reserve the right to make technical changes.

- Fitting and maintenance work may only be carried out by a professional or an electrician in accordance with local safety regulations.
- All electrical connections must have good contact in order for this product to have a long, useful life.
- The LED chips of this LED tape cannot be replaced.
- This LED tape includes a linkable connector. Only link a maximum of one LED tape. Do not link multiple tapes together.
- Choose a corresponding power supply for the LED tape.
- Never use the unit in a room where there is a danger of explosion or in the vicinity of flammable liquids or gases.
- Do not bend, crush or pull the cable. Protect from sharp edges, oil and heat.
- Do not touch the LED strip or electrical connector directly with hands.
- For indoor only.
- For any wire runs inside walls, use properly certified CL2 or better wiring.
- Ensure the connectors are securely fastened before operating the tape.
- Electrical waste should not be disposed of with household waste. Please recycle where facilities exist.
- All wiring must be in accordance with national and local electrical codes, low voltage Class 2 circuit. If you are unclear as to how to install and wire this product, contact a qualified professional.



DANGER: Danger of eye damage! Never look directly at the LED chips of this LED tape.



CAUTION: Do not install Class 2 low voltage wiring in the same runs as AC main power. If AC and low voltage wires cross, keep them at 90-degree angles.



CAUTION: Do not install this product in areas that are susceptible to direct exposure to the elements.



CAUTION: Do not power LED tape while coiled on reel.



IMPORTANT: Always observe polarity for 12V connections, positive (+) to positive and negative (-) to negative.



IMPORTANT: Use only insulated staples, plastic ties, or wire support clips to secure cords and wires.

NOTICE: LED lighting tape rating : 12V DC

Warranty

THREE (3) YEAR WARRANTY

WHAT IS COVERED

The manufacturer warrants this fixture to be free from defects in materials and workmanship for a period of three (3) years from date of purchase. This warranty applies only to the original consumer purchaser and only to products used in normal use and service. If this product is found to be defective, the manufacturer's only obligation, and your exclusive remedy, is the repair or replacement of the product at the manufacturer's discretion, provided that the product has not been damaged through misuse, abuse, accident, modifications, alteration, neglect, or mishandling. This warranty shall not apply to any product that is found to have been improperly installed, set-up, or used in any way not in accordance with the instructions supplied with the product. This warranty shall not apply to a failure of the product as a result of an accident, misuse, abuse, negligence, alteration, faulty installation, or any other failure not relating to faulty material or workmanship. This warranty shall not apply to the finish on any portion of the product, such as surface and/or weathering, as this is considered normal wear and tear.

WHAT IS NOT COVERED

The manufacturer does not warrant and specifically disclaims any warranty, whether expressed or implied, of fitness for a particular purpose, other than the warranty contained herein. The manufacturer specifically disclaims any liability and shall not be liable for any consequential or incidental loss or damage, including but not limited to any labor/expense costs involved in the replacement or repair of said product.

Contact the Customer Service Team at 1-877-527-0313 or visit www.HomeDepot.com.

Pre-Installation

PLANNING INSTALLATION

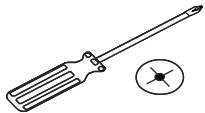
Read all instructions before installing.

To avoid damaging this product, place it on a soft, non-abrasive surface, such as carpet or cardboard.

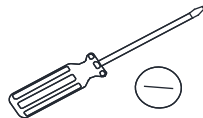


NOTE: Personal injury and damage to the LED tape and /or mounting surface may result if the LED tape is pulled from the surface. To reduce the likelihood of injury or damage, mount only on a surface that is structurally sound.

TOOLS REQUIRED (NOT INCLUDED)



Phillips screwdriver



Flathead screwdriver



Pencil



Electrical tape



Measuring tape



Scissors



Brush

HARDWARE INCLUDED



NOTE: Hardware not shown to actual size.



AA



BB



CC



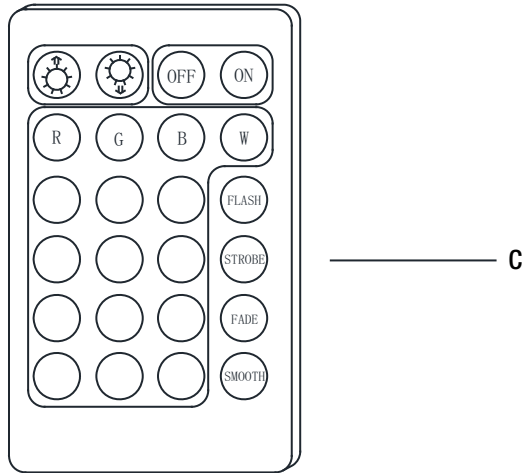
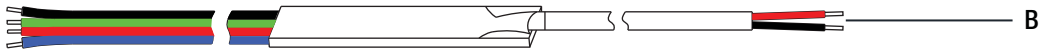
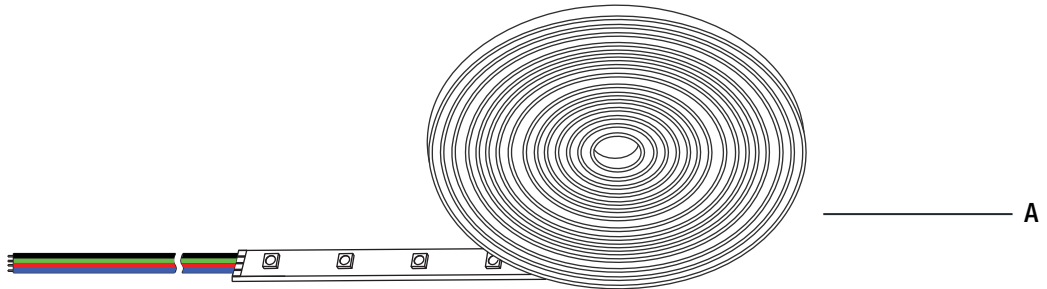
DD

Part	Description	Quantity
AA	Connector wire (9")	3
BB	Snap connector	1

Part	Description	Quantity
CC	Wire clip	2
DD	Wire connector	4

Pre-Installation (continued)

PACKAGE CONTENTS

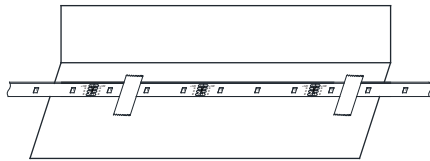


Part	Description	Quantity
A	20 ft. RGB LED tape	1
B	RGB controller	1
C	Remote	1

Preparing Installation

1 Installation considerations

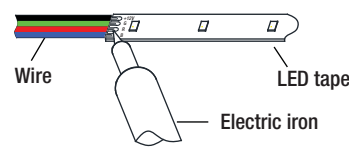
- Where will you locate your power supply?
- How will you switch your LED lighting on and off?
- What is the best layout configuration for your installation?
- How will you run and conceal the wires to your LED tape lighting?
- Temporarily mounting the LED light strip using painter's tape allows you to experiment with tape light positioning before permanent installation.



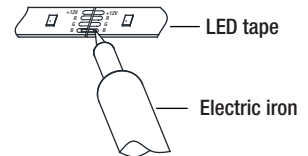
IMPORTANT: Using painter's tape or masking tape, temporarily place the LED light strip into your desired mounting position. Power on the LEDs to make sure you are achieving the desired lighting effect before removing the 3M paper backing for final installation.

2 Optional soldering of the LED light

- Soldering is a fast and easy way to join wires and make splice connections. It is also the surest method for making extra reliable electrical connections.



Wire Lead Connection



Splice Connection



NOTE: Soldering connections is required for marine or RV applications due to vehicle movement and vibrations.

3 Power supply location and voltage drop

- The power supply that provides 12V DC power to your LED tape lighting operates on 120V AC household current. The shorter the wire lead between the power supply and the LED tape lighting, the brighter the lights will be. If the RGB LEDs farthest from the power supply appear dim or you see a color shift, it is due to voltage drop.
- Voltage drop only becomes undesirable if you notice the brightness or color in one area of your lighting is objectionably different than in another area. As a practical approach, test your RGB LED lighting prior to final installation. Refer to the chart below for recommended lengths of power feed wires using 22 and 18 AWG wires.

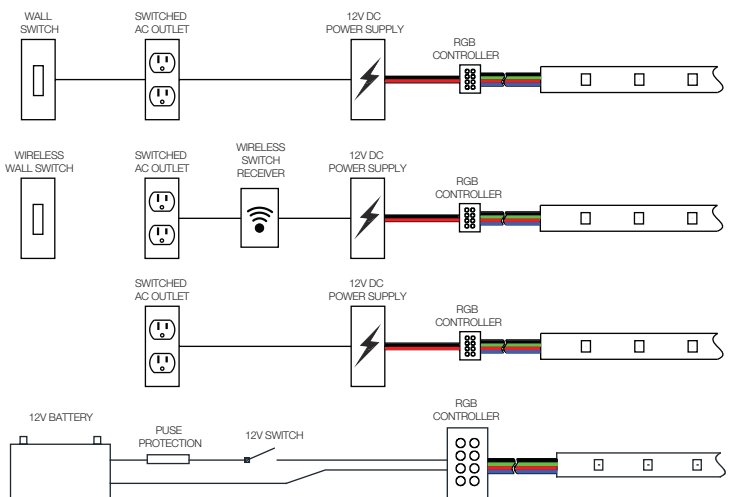
Excessive voltage drop = reduced brightness and color accuracy
Shorter and/or thicker wires = higher brightness and color consistency
Longer LED tape = an increase in voltage drop

Recommended maximum length of 12V power wires from power supply to LED lighting			
22 AWG WIRE		18 AWG WIRE	
If your LED tape light length is:	Max wire length to tape light	If your LED tape light length is :	Max wire length to tape light
12 ft.	10 ft.	12 ft.	20 ft.
24 ft.	8 ft.	24 ft.	16 ft.
36 ft.	6 ft.	36 ft.	12 ft.
48 ft.	4 ft.	48 ft.	8 ft.

4 Switching and color control options

- Depending on the model and location of your RGB color controller, you may be able to conveniently use that device to switch on/off your LED lighting. Other options include plugging your power supply into a switched 120V AC outlet or using an optional wireless wall switch.

TYPICAL CONNECTING AND SWITCHING OPTIONS



NOTE: Interior RV and boat applications can be powered directly by 12V battery.

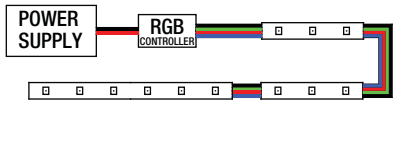
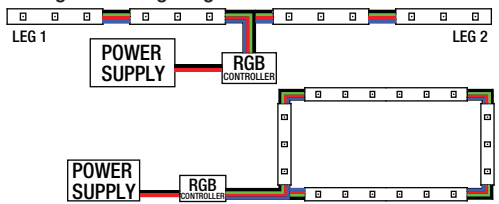
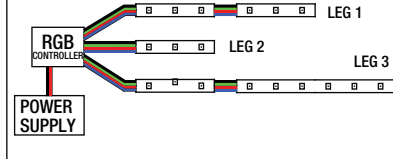


WARNING: Do not use wall switch and wireless wall switch with dimmer function.

Preparing Installation (continued)

5 Configuration options

- LED tape strips can be installed in series (strips connected or wired end-to-end) or in parallel (multiple legs of LED strips or series of strips wired directly to a single power supply).
- LED tape lighting power requirements are based on several factors, including your configuration (Straight Run, Center Feed/Loop Back or Array), voltage drop, and the length limitations of the LED tape lighting.

TYPICAL CONFIGURATIONS		
Straight Run	Center Feed / Loop Back	Array
<p>Only one end of the LED strip is powered. Multiple strips can be connected in a series for a continuous run. When set at 100% cool bright white, RGB LEDs farther away from the color controller may color shift to a warmer white.</p> 	<p>Either power two equal legs of tape lighting from the center or loop back and power both ends of the LED tape. These configurations will produce more consistent brightness and color over the length of the strip. A loop back is excellent for room perimeter tray ceiling or cove lighting.</p> 	<p>An array uses two or more legs of various lengths wired to a power supply in a parallel connection. You will need to calculate total wattage used in an array to guard against overloading the power supply.</p> 

6 Choosing a power supply

- Refer to the charts below for the recommended maximum lengths of RGB LED tape lighting based on your configuration and choose a power supply rated greater than your needs - you cannot overpower LED tape lighting. The LED power requirements shown below are for when the RGB color controller is set at 100% full power brightness white and do not represent every possible installation scenario.

Maximum length of LED tape based on configuration type and power supply		
Power Supply	Straight Run	Center Feed / Loop Back
6 Watt	4.2 ft. (1.3m)	Not recommended
15 Watt	15 ft. (4.6m)	12.5 ft. (3.8m)
30 Watt	30 ft. (9.2m)	24 ft. (7.3m)
60 Watt	30 ft. (9.2m)	60 ft. (18.3m)

Length limitations indicated here are based on the inherent limitations of the RGB LED tape due to voltage drop in a straight run. Exceeding these lengths will cause LEDs farthest from the power supply to color shift when at 100% full bright white. A higher wattage power supply will not reduce the impact of voltage drop. For more consistent brightness consider a center feed or loop back configuration.

 **NOTE:** Do not use a standard 120V AC wall dimmer with your power supply unless the power supply clearly states that it is dimmable with AC dimmers.

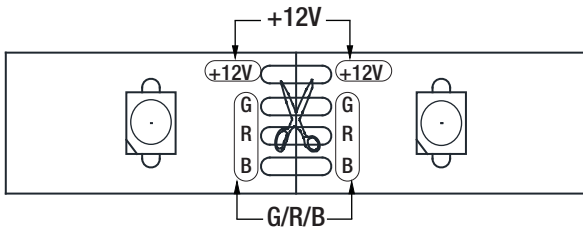
- Due to voltage drop, longer lengths of LED tape will use fewer watts per foot than shorter lengths. The total watts used in an array layout depend on the wattage requirement of each leg and overall voltage drop within your connection wires. A leg can be a single LED strip or series of strips connected end-to-end. Various legs are wired in parallel directly to the power supply. Calculate the wattage for each leg by multiplying watts per foot by the length of LED lighting in the leg. Include only the lengths of LED tape in your calculation, not the connecting wires. Add each leg's wattage requirement together to determine the total watts needed to power your array and select a power supply that exceeds the total watts needed.

Length of leg (LED tape light only)	1 to 5 ft.	6 to 11 ft.	12 to 15 ft.
Watts used per foot	1.4 watts/ft.	1.2 watts/ft.	1.0 watts/ft.

Preparing Installation (continued)

7 Cutting, connecting and wiring

- This product is designed for custom lighting installations. Basic wiring skills such as stripping and splicing wire connections are required.
- Use the +12V/G/R/B indicators printed on the RGB tape light to maintain polarity and correct color sequencing.



WARNING: Do not connect to 120V AC power. Only connect to low voltage 12V DC power.



IMPORTANT: Always maintain correct RGB wire polarity when connecting RGB LED tape lighting.

7.2 Wire Lead Snap Connectors

- Wire Lead Snap Connectors are used for going around corners or, when cut in half, to create two power leads ("jumper" cables) for linking and extending power wires to LED tape lighting in other areas.



To make longer "jumper" cables

Cut in half to create two wire lead connectors that can be spliced to longer wires in order to get power to LED tape strips in other areas.



IMPORTANT: Always use the +12V/G/R/B indicators printed on the tape light to maintain polarity and correct color sequencing.

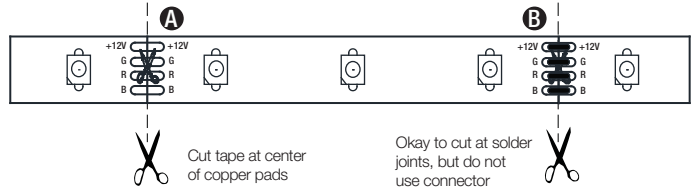
- To increase the length of wire between two LED strips, simply splice in the extra length of wire required, 18AWG is generally recommended. Be sure to match polarity, +12V/G/R/B to +12V/G/R/B. Do not coil wire; shorter lengths and thicker wire will mean less voltage drop and higher brightness. For an online voltage drop calculator, visit step 3.



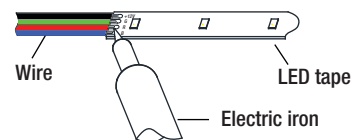
NOTE: Be sure all 12V connections are secure and sealed. Options include soldering and heat-shrink tubing, crimp connectors, terminal blocks, wire nuts, etc.

7.1 Cut with scissors

- This RGB tape light model can be cut every three LEDs, or about every 4".
 - To use solderless LED Snap Connectors, cut the LED tape with scissors directly in the center of the copper pad as shown in position "A" below.
 - You can also cut the tape at position "B", however, do not use Snap Connectors on these soldered tape light joints.
 - You can also solder 12V power lead wires at these joints.

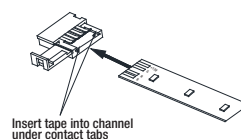
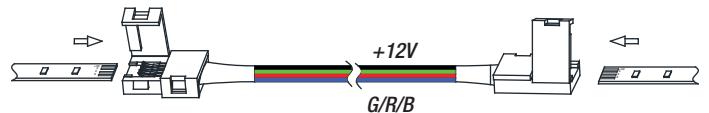


- Soldering wires to LED strips. Direct soldering of wires to the LED tape is the surest method for making extra reliable electrical connections. LED Snap Connectors are not recommended for marine or RV use due to possible vehicle vibrations.

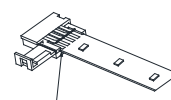


7.3 How to use Snap Connectors

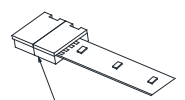
- Splice Snap Connectors are for joining two strips to create a continuous run of LED lighting.
 - Pry open the lid on the snap connector (splice connector has two lids).
 - Using a side-to-side motion, carefully slide the tape strip into the connector channel as shown below so the copper pads on the tape are positioned underneath the connector contacts.
 - Close and snap down the lid connector.
 - Perform a power test to be sure connection is secure and LEDs light before final installation.
 - If LEDs do not light, or LEDs flicker, repeat the steps outlined above.



Insert tape into channel under contact tabs



Be sure tape slides into channel groove

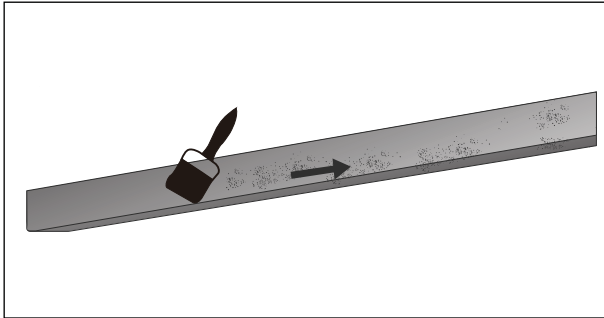


Press down lid until it snaps closed

Installation

1 Preparing the assembly location

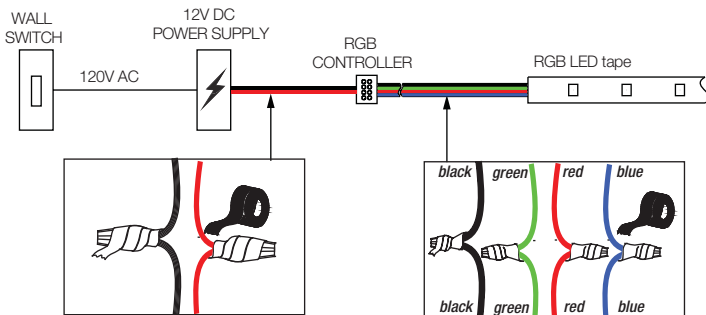
- ❑ Power the LED tape light and temporarily hold or tape into position with painter's tape or masking tape - do not remove the 3M paper backing.
- ❑ Adjust the lighting to various angles and positions to get the desired level of illumination and lighting appearance. If the LEDs create undesirable light spots on walls, or reflections, reposition the tape light strip farther away from surfaces or try a different mounting angle.
- ❑ Once you have determined your final mounting position, clean the surface to ensure the 3M self-adhesive backing will adhere properly.



IMPORTANT: Before removing the 3M paper backing, it is important to test the LED strip in the space you intend to light. Once the 3M paper backing is removed and the tape light is fully installed, you cannot reposition or move the LED tape light to another location. The tape may not stick securely.

2 Connecting the RGB controller

- ❑ Connect the RGB controller to the LED tape and power supply. Maintain polarity for correct color sequencing.



The 2-conductor red / black wire connects to the output or your power supply. Red connects to red (+), black to black (-).

Maintain polarity for correct color sequencing. Be sure black connects to black, green to green, red to red, blue to blue.

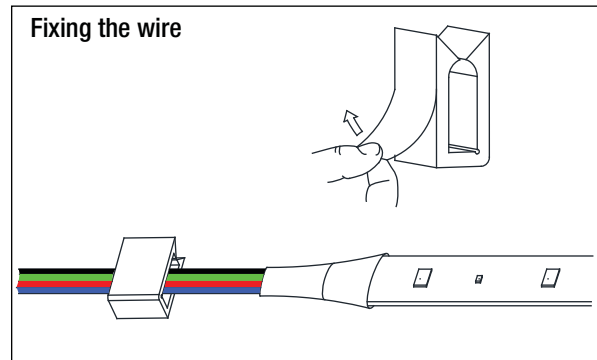
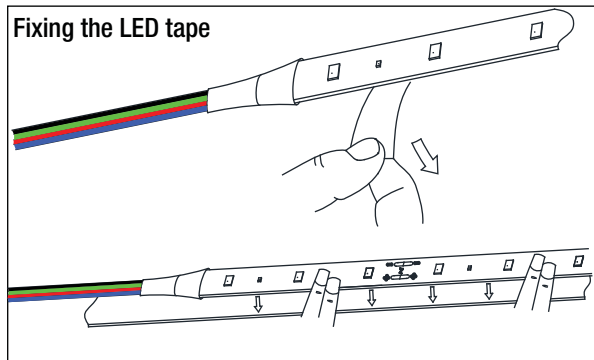


IMPORTANT: Read and follow the installation Guidelines provided with your RGB LED light and power supply. Do not connect controller directly to 120V AC household current, 12V DC only. All wiring must be in accordance with national and local electrical codes, low voltage Class 2 circuit. If you are unclear as to how to install and wire this product, contact a qualified electrician.

Installation (continued)

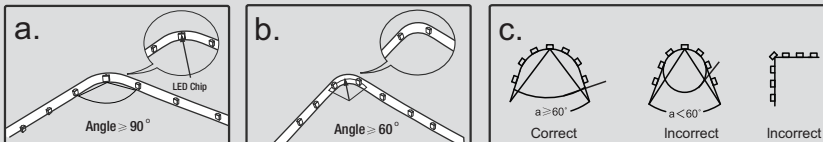
3 Installing the LED tape light

- Working from one end to the other, remove the 3M paper backing and press into place. Press between the LEDs to help ensure secure contact with the mounting surface. Avoid pressing on the individual LEDs as this could damage the LED solder connections.
- Support the 12V power feed wire using peel-and-stick wire support clips.



Note: Although the LED tape can be installed in curved and irregular spaces, avoid sharp bends or bending on the solder joints as you could damage the LED tape light. If an LED is inadvertently damaged and fails to light, the remaining LEDs will continue to operate. The LED tape is made with three LEDs connected as one series. If you experience a failure, you can cut out and remove the damaged three-LED series and splice together new LED tape.

Note :



- Use an angle greater or equal to 90 degrees when there is an LED chip on the corner while placing the strip in a concave position. ($\text{Angle} \geq 90^\circ$)
- Use an angle greater or equal to 60 degrees when there is no LED chip on the corner while placing the strip in a concave position. ($\text{Angle} \geq 60^\circ$)
- Use an angle greater or equal to 60 degrees when there is an LED chip on the corner while placing the strip in a convex position. ($\text{Angle} \geq 60^\circ$) In the convex position the angle should not reach 90 degrees. See above diagram.

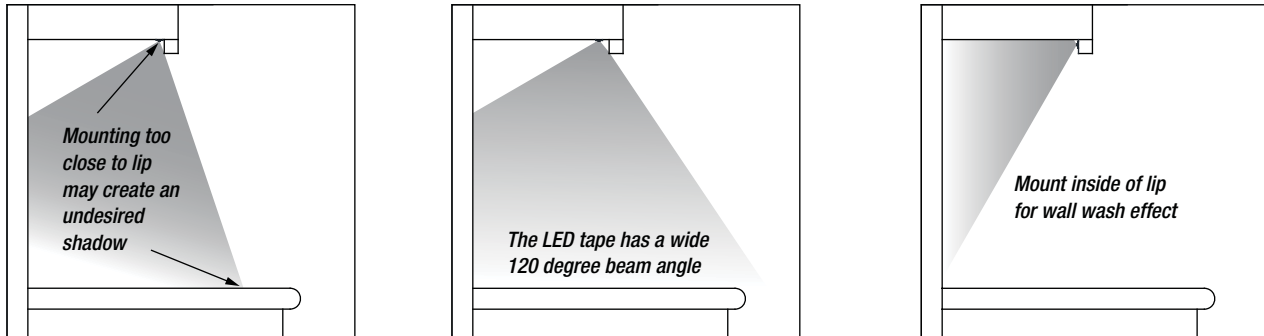


WARNING: When you finished the installation, please check the end of wires to see whether the copper wires are exposed, if yes, please must seal the wires one by one using electrical tape, heat-shrink tubing, crimp connectors, terminal blocks or wire nuts, etc.

Installation (continued)

4 Installing under a cabinet

- To surface mount the LED tape light under a set of cabinets in one continuous run, you may need to drill a 1/2" hole through any cabinet side lip that may be present. Install LED tape light through the hole and surface mount as a continuous run.

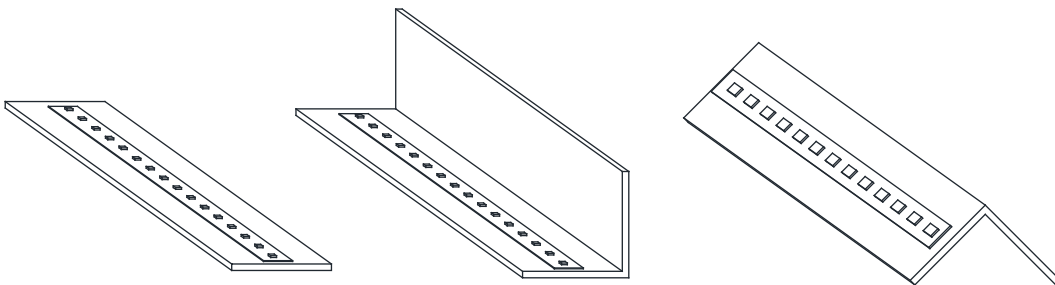


- When mounting under a cabinet or a shelf with no lip to hide the LED tape light strip, create a visual barrier by using trim strip molding mounted in front of the LED tape light.

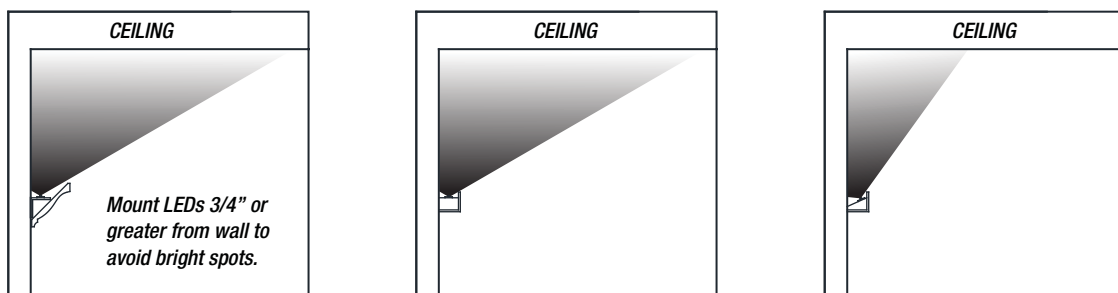


5 Creating above cabinet uplighting

- Most cabinet tops have uneven surfaces. To create beautiful indirect uplighting over cabinets, simply mount the LED tape on any rigid strip (e.g., thin lattice or corner guard molding) and place on top of cabinets. Angle the strip position to achieve the desired illumination.

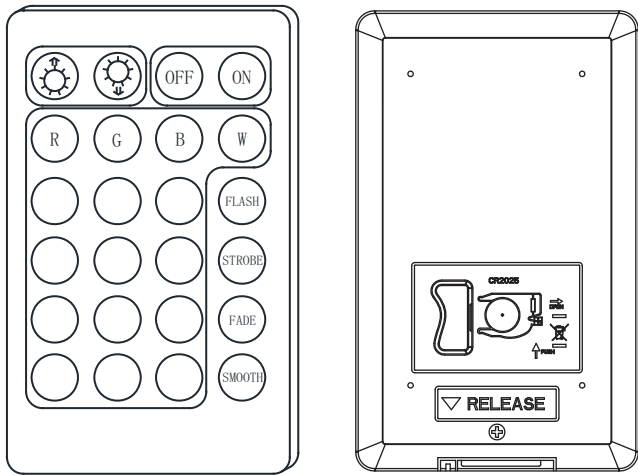


- For a seamless glow and to avoid bright light spots, keep LED tape light strip at least 3/4" away from walls.



Operation

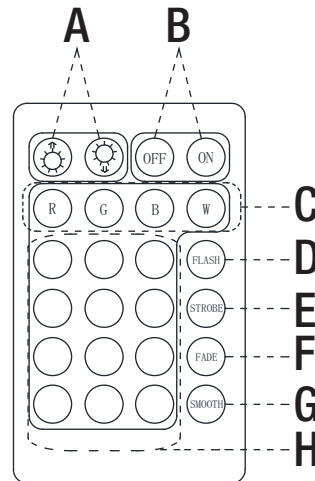
1 The remote appearance diagram



NOTE: The remote (C) diagram above is not to scale.

2 Functions of the remote

- Direct the remote control towards the infrared receiver to manipulate RGB colors of the strip.



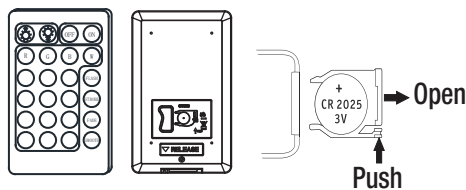
- A---Bright key can increase or decrease color brightness and can slow down or accelerate color change.
- B---On/Off switch.
- C---R,G,B,W : Choose color : red, green, blue or white.
- D---Flash key: 7 color jump change.
- E---Strobe key: 3 color fade change.
- F---Fade key: 7 color fade change.
- G---Smooth key: 3 color jump change.
- H---Color option keys: 12 color options.

NOTE: Sensor efficiency distance \leq 8 meters.

Maintenance

Safety instructions for the remote

- Direct the remote towards the infrared receiver to manipulate the colors of the strip.



NOTE : To replace the battery, unscrew the small screw on the back side of the remote (C), and refer to the diagram on the back side of the remote.

- Always purchase the correct size and grade of battery that is most suitable for the intended use.
- Replace all batteries of a set at the same time.
- Clean the battery contacts and also those of the device prior to battery installation.
- Ensure the batteries are installed correctly with regard to polarity (+ and -).
- Remove batteries from the equipment when it is not being used for an extended period of time.
- Remove used batteries promptly.

WARNING : The remote contains a CR2025 DC 3V button battery. If swallowed, it could cause severe injury or death within 2 hours. Seek medical attention immediately.

Care and Cleaning

- To clean the fixture, disconnect the power by turning off the circuit breaker or by removing the fuse at the fuse box. Use a dry or slightly dampened, clean cloth to wipe the exterior surface of the fixture.
- Do not use any cleaners with chemicals, harsh abrasives, or solvents. Use only a dry soft cloth to dust or wipe carefully.

Troubleshooting

Problem	Possible Cause	Solution
Tape light strip does not light.	The LED is burned out.	Discontinue use of the lamp.
	The power is off.	Ensure the power supply is turned on.
	The power cord is not plugged in.	Ensure the power cord is plugged into the outlet.
	The connector has faulty connections.	Check you have maintained correct polarity (+ to + and - to -). Check all tape light connections and switch or dimmer connections from the power supply to the LED tape light.
	The power is wrong.	Ensure the power supply is 12V DC.
	The circuit breaker is turned off.	Ensure the circuit breaker is in the "ON" position.
Only part of the LED tape light strip is lit.	The connector has faulty connections.	Check connections to the part of the strip that is not lit. Confirm that you have maintained correct polarity to the unlit section.
	The LED series is damaged.	Cut out and remove the damaged three-LED group and splice together LED tape strips or replace with a new three--LED section.
LED tape lights blink on, then go off.	Your power supply is not adequate for the length of LED tape light you are powering.	Install a higher wattage power supply or reduce watts used by shortening the lengths of your LED tape lighting.
LEDs farthest from the power supply are noticeably dimmer.	This is the result of voltage drop.	<ul style="list-style-type: none"> <input type="checkbox"/> Decrease the length of the 12V power feed wires or use thicker power feed wires between the 12V power supply and the tape light. <input type="checkbox"/> Use shorter lengths of LED tape light. Refer to configuration options in these guidelines. Consider a different configuration. <input type="checkbox"/> Contact a qualified electrician or call the Customer Care Service Team at 1-877-527-0313, 8 a.m. - 7 p.m., EST, Monday - Friday, 9 a.m. - 6 p.m., EST, Saturday.

SPECIFICATIONS

Input Voltage.....12V DC
 LED Count.....30 LEDs/m
 LED Module.....SMD 2835
 Chip Size.....2835
 Beam Angle.....120° wide
 Tape Height/Width.....2 x 10mm

Cuttable.....Every 4" approx (100mm)
 Listings.....ETL, RoHS, FCC
 Country of Origin.....China

FCC Statement

This device complies with part 15 of the FCC Rules. Operation is subject to the following two conditions:

- (1) This device may not cause harmful interference, and
- (2) this device must accept any interference received, including interference that may cause undesired operation.



CAUTION: Any changes or modifications not expressly approved by the party responsible for compliance could void the user's authority to operate the equipment.

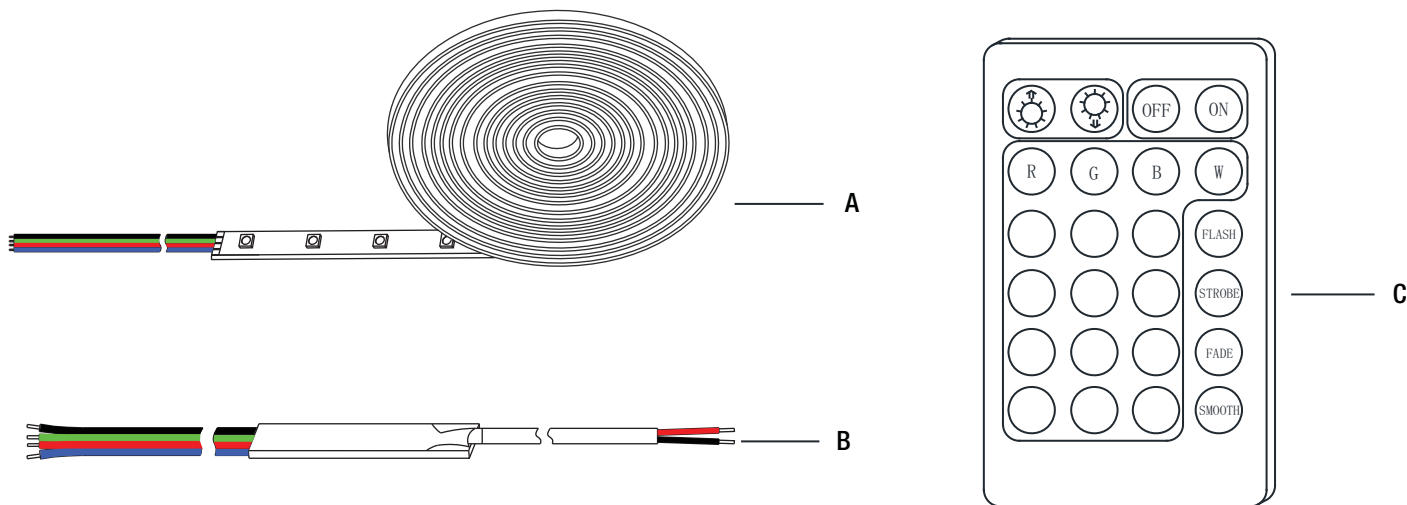
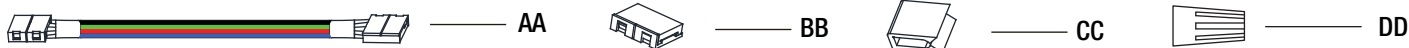


NOTE: This equipment has been tested and found to comply with the limits for a Class B digital device, pursuant to part 15 of the FCC Rules. These limits are designed to provide reasonable protection against harmful interference in a residential installation. This equipment generates, uses and can radiate radio frequency energy and, if not installed and used in accordance with the instructions, may cause harmful interference to radio communications. However, there is no guarantee that interference will not occur in a particular installation. If this equipment does cause harmful interference to radio or television reception, which can be determined by turning the equipment off and on, the user is encouraged to try to correct the interference by one or more of the following measures:

- Reorient or relocate the receiving antenna.
- Increase the separation between the equipment and receiver.
- Connect the equipment into an outlet on a circuit different from that to which the receiver is connected.
- Consult the dealer or an experienced radio/TV technician for help.

Service Parts

MODEL TYPE : 17068



Part	Description	Quantity
AA	Connector wire (9")	3
BB	Snap connector	1
CC	Wire clip	2
DD	Wire connector	4

Part	Description	Quantity
A	20 ft. RGB LED tape	1
B	RGB controller	1
C	Remote	1



Questions, problems, missing parts? Before returning to the store,
call Commercial Electric Customer Service
8 a.m. - 7 p.m., EST, Monday - Friday, 9 a.m. - 6 p.m., EST, Saturday

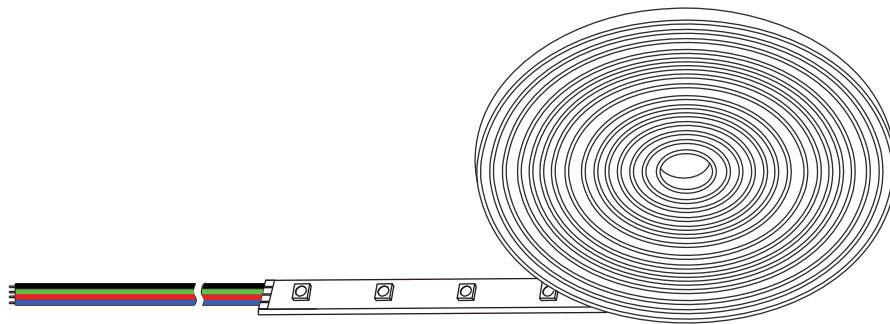
1-877-527-0313

HOMEDEPOT.COM

Retain this manual for future use.

GUÍA DE USO Y CUIDADO

20 pies Juego de luces de cinta LED RGB con control remoto



¿Tiene preguntas, problemas, o faltan piezas? Antes de regresar a la tienda, llame a Servicio al Cliente de Commercial Electric de lunes a viernes de 8 a.m. a 7 p.m., sábado de 9 a.m. a 6 p.m., hora local del Este.

1-877-527-0313

HOMEDEPOT.COM

GRACIAS

Agradecemos la confianza que ha puesto en Commercial Electric a través de la compra de esta fuente de alimentación LED. Nos esforzamos por crear continuamente productos de calidad diseñados para mejorar su hogar. Visitenos en Internet para ver nuestra línea completa de productos disponibles para sus necesidades de mejorar su hogar. ¡Gracias por elegir a Commercial Electric!

Índice

Índice	2
Información de seguridad	2
Garantía	3
Garantía de tres (3) años.....	3
Lo que está cubierto	3
Lo que no está cubierto	3
Pre-instalación	3
Planificación de la instalación	3
Herramientas requeridas.....	3
Herraje incluido	3
Contenido del paquete	4

Preparación para la instalación	5
Instalación.....	8
Funcionamiento	10
Mantenimiento.....	10
Cuidado y limpieza	11
Resolución de fallas	11
Especificaciones.....	11
Declaración de la FCC.....	12
Piezas de servicio	12

Información de seguridad

Mantenga siempre el manual del usuario a su alcance mientras instala esta cinta LED. Lea y comprenda el manual del usuario para garantizar una instalación y uso adecuados. Preste atención a los datos técnicos mostrados en el producto. Nos reservamos el derecho a hacer cambios técnicos.

- El trabajo de conexión y mantenimiento solo lo puede llevar a cabo un profesional o electricista de acuerdo a las regulaciones de seguridad locales.
- Todas las conexiones eléctricas deben tener buen contacto con el fin de que este producto tenga una larga vida útil.
- Los chips LED de esta cinta LED no se pueden reemplazar.
- Esta cinta LED incluye un conector enlazable. Enlace únicamente un máximo de una cinta LED. No enlace múltiples cintas juntas.
- Elija una fuente de alimentación correspondiente para la cinta LED.
- Nunca use la unidad en una habitación donde haya peligro de explosión o en las inmediaciones de líquidos o gases inflamables.
- No doble, aplaste ni hale el cable. Proteja de bordes filosos, aceite y calor.
- No toque la tira LED o el conector eléctrico directamente con las manos.
- Para uso en interiores únicamente.
- Para cualquier cable tendido dentro de paredes, use cableado apropiadamente certificado CL2 o un mejor cableado.
- Asegúrese de que los conectores estén sujetos con seguridad antes de operar la cinta.
- Los desechos eléctricos no deben eliminarse con los desechos domésticos. Recicle donde existan instalaciones.
- Todo el cableado debe estar de acuerdo con los códigos eléctricos nacionales y locales, circuito Clase 2 de bajo voltaje. Si tiene dudas sobre cómo instalar y cablear este producto, contacte a un profesional calificado.



PELIGRO: ¡Peligro de daños a los ojos! Nunca mire directamente a los chips LED o a esta cinta LED.



PRECAUCIÓN: No instale cableado de bajo voltaje Clase 2 en los mismos tendidos que la energía principal AC. Si los cables de AC y de bajo voltaje se cruzan, manténgalos a ángulos de 90 grados.



PRECAUCIÓN: No instale este producto en áreas que sean susceptibles a la exposición directa a los elementos.



PRECAUCIÓN: No energice la cinta LED mientras se enrolla en el carrete



IMPORTANTE: Siempre observa la polaridad para conexiones de 12V, positivo (+) a positivo y negativo (-) a negativo.



IMPORTANTE: Use solo grapas aisladas, amarres plásticos, o ganchos de soporte de cable para asegurar los cordones y cables.

AVISO: Capacidad nominal de la cinta de iluminación LED: 12V DC

Garantía

GARANTÍA DE TRES (3) AÑOS

LO QUE ESTÁ CUBIERTO

El fabricante garantiza que esta luminaria está libre de defectos en materiales y mano de obra por un período de tres (3) años a partir de la fecha de compra. Esta garantía aplica únicamente al comprador consumidor final y únicamente para los productos usados en condiciones de uso y servicio normal. Si este producto está defectuoso, la única obligación del fabricante y su exclusiva solución, es reparar o reemplazar el producto a discreción del fabricante, siempre y cuando el producto no ha sido dañado por mal uso, abuso, accidente, modificaciones, alteraciones, negligencia o mal manejo. Esta garantía no aplicará a ningún producto que se detecte que se haya instalado, configurado o usado incorrectamente de alguna manera que no sea de acuerdo con las instrucciones proporcionadas con el producto. Esta garantía no aplicará a fallas del producto como resultado de un accidente, mal uso, abuso, negligencia, alteración o instalación incorrecta o cualquier otra falla no relacionada a una falla por fabricación material o de mano de obra. Esta garantía no aplicará al acabado de cualquier parte del producto, como la superficie y/o intemperización, ya que esto es considerado deterioro por uso.

LO QUE NO ESTÁ CUBIERTO

El fabricante no garantiza ni deniega específicamente ninguna garantía, sea expresa o implícita, o idoneidad para un propósito particular, que no sea la garantía contenida en el presente. El fabricante renuncia específicamente a cualquier responsabilidad civil y no se hará responsable por daños y perjuicios, por pérdida o daños accesorios, incluidos pero no limitados a los gastos de mano de obra u otros gastos relacionados al reemplazo o reparación de dicho producto.

Póngase en contacto con el Equipo de Servicio al Cliente llamando al 1-877-527-0313 o visite www.HomeDepot.com.

Pre-instalación

PLANIFICACIÓN DE LA INSTALACIÓN

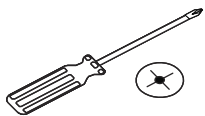
Lea todas las instrucciones antes de la instalación.

Para evitar dañar este producto, colóquelo sobre una superficie suave y no abrasiva, como una alfombra o cartones.

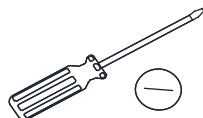


NOTA: Es posible que resulten lesiones personales y daños a la cinta LED y/o superficie de montaje si la cinta LED se hala de la superficie. Para reducir la probabilidad de lesiones o daños, monte solo sobre una superficie que sea estructuralmente sólida.

HERRAMIENTAS REQUERIDAS (NO INCLUIDAS)



Destornillador Phillips



Destornillador de punta plana



Lápiz



Cinta aislante



Cinta métrica



Tijeras



Cepillo

HERRAJE INCLUIDO



NOTA: No se muestra el herraje en el tamaño real.



AA



BB



CC



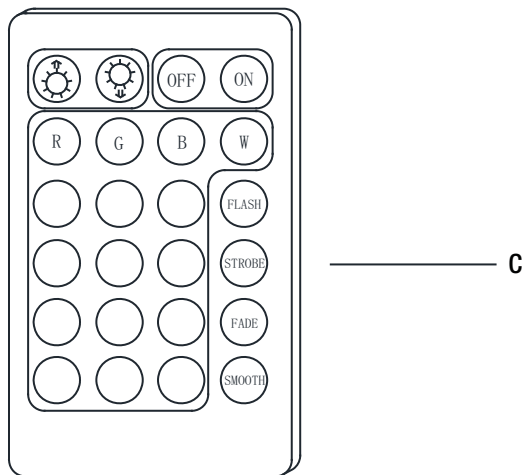
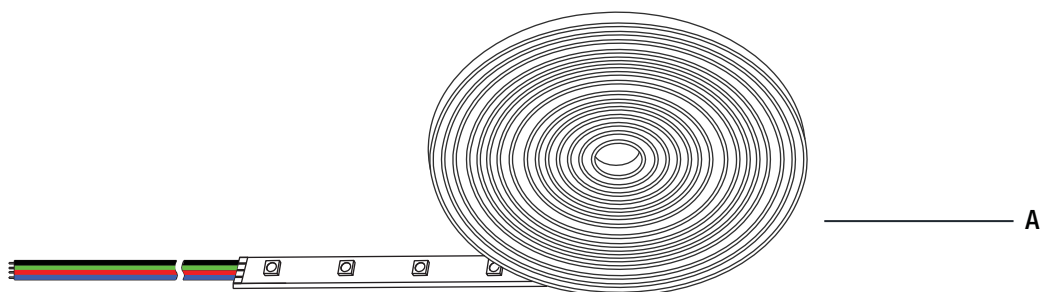
DD

Piez	Descripción	Cantidad
AA	Cable conector (9 pulgadas)	3
BB	Conector a presión	1

Piez	Descripción	Cantidad
CC	Gancho de alambre	2
DD	Conector de cable	4

Pre-instalación (continuación)

CONTENIDO DEL PAQUETE

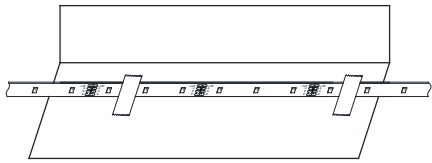


Pieza	Descripción	Cantidad
A	20 pies Cinta LED RGB	1
B	Controlador RGB	1
C	Remoto	1

Preparación para la instalación

1 Consideraciones para la instalación

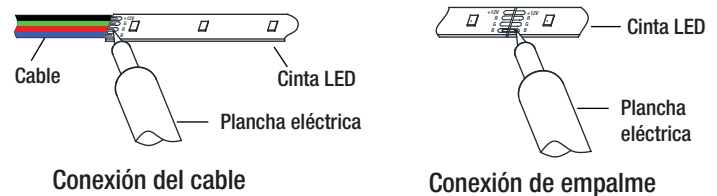
- ¿Dónde colocará su fuente de alimentación?
- ¿Cómo encenderá y apagará su iluminación LED?
- ¿Cuál es la mejor configuración de la disposición para su instalación?
- ¿Cómo tenderá y ocultará los cables a su iluminación de cinta LED?
- Monte temporalmente la tira de luces LED usando cinta de pintor antes de la instalación permanente.



IMPORTANTE: El uso de cinta de pintor o cinta de enmascarar coloca temporalmente la tira de luz LED en su posición de montaje deseada. Encienda los LED para asegurarse de que estén logrando el efecto de iluminación deseado antes de retirar el papel protector 3M para la instalación final.

2 Soldadura opcional de la luz LED

- La soldadura es una manera rápida y fácil de unir cables y hacer empalmes. También es el método más seguro de hacer conexiones eléctricas extra confiables.



NOTA: Las conexiones de soldadura son requeridas para aplicaciones marinas o RV debido al movimiento y vibraciones del vehículo.

3 Ubicación de la fuente de alimentación y caída de voltaje

- La fuente de alimentación que proporciona energía de 12V DC a su iluminación de cinta LED opera en corriente doméstica de 120V AC. Mientras más corto sea el cable entre la fuente de alimentación y la iluminación de cinta LED, más brillantes serán las luces. Si los LED RGB más lejanos de la fuente de alimentación parecen atenuarse o si ve un cambio de color, se debe a caída de voltaje.
- La caída de voltaje solo se vuelve indeseable si advierte que la brillantez o color en un área de iluminación es objetivamente diferente que en otra área. Como un enfoque práctico, pruebe su iluminación LED RGB antes de la instalación final. Consulte la tabla a continuación para obtener las longitudes recomendadas de cables de alimentación de energía usando cables 22 y 18 AWG.

Caída de voltaje excesiva = brillantez y precisión del color reducidos

Cables más cortos y/o más gruesos = mayor brillantez y consistencia del color

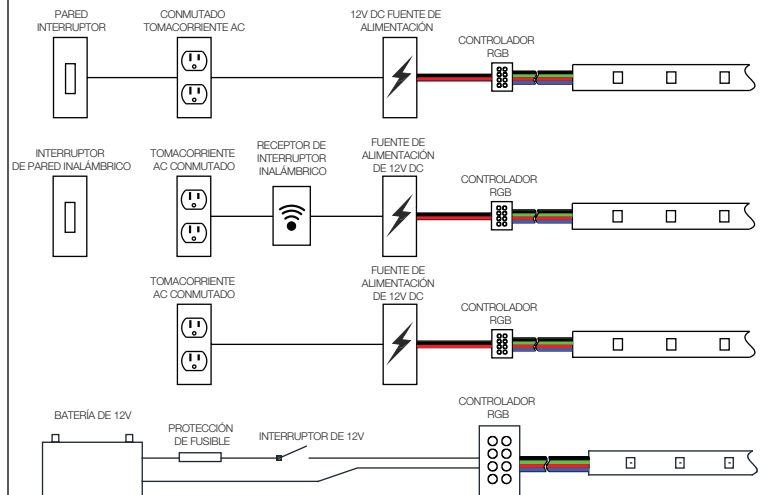
Cinta LED más larga = aumento en la caída de voltaje

Longitud máxima recomendada de cables de energía de 12V de la fuente de alimentación a la iluminación LED			
CABLE 22 AWG		CABLE 18 AWG	
Si la longitud de la luz de cinta LED es:	Longitud de cable máxima a luz de cinta	Si la longitud de la luz de cinta LED es:	Longitud de cable máxima a luz de cinta
12 pies	10 pies	12 pies	20 pies
24 pies	8 pies	24 pies	16 pies
36 pies	6 pies	36 pies	12 pies
48 pies	4 pies	48 pies	8 pies

4 Opciones de interruptor y control del color

- Dependiendo del modelo y ubicación de su controlador de color RGB, usted puede convenientemente usar ese dispositivo para encender/apagar su iluminación LED. Otras opciones incluyen conectar su fuente de alimentación a un tomacorriente conmutado de 120V AC o usar un interruptor de pared inalámbrico opcional.

OPCIONES TÍPICAS DE CONEXIÓN E INTERRUPTOR



NOTA: Las aplicaciones interiores de RV y botes se pueden energizar directamente con batería de 12V.

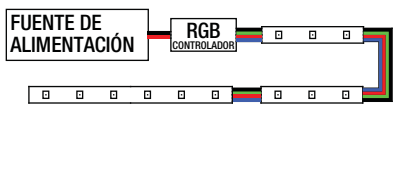
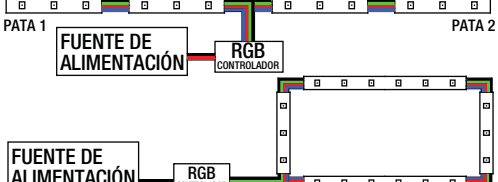
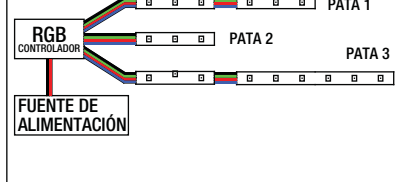


CUIDADO: no usar un interruptor de pared o interruptor inalámbrico de pared con intensidad luminosa regulable.

Preparación de la instalación (continuación)

5 Opciones de configuración

- Las tiras de cinta LED se pueden instalar en serie (tiras conectadas o cableadas extremo con extremo) o en paralelo (múltiples patas de tiras LED o serie de tiras cableadas directamente a una fuente de alimentación individual).
- Los requerimientos de energía de iluminación de cinta LED están basados en varios factores, incluyendo su configuración (tendido recto, alimentación central/Lazo cerrado o matriz), caída de voltaje, y las limitaciones de longitud de la iluminación de cinta LED.

CONFIGURACIONES TÍPICAS		
Tendido recto	Alimentación central/Lazo cerrado	Matriz
<p>Solo un extremo de la tira LED está energizado. Se pueden conectar múltiples tiras en una serie para un tendido continuo. Cuando se coloca al 100% de blanco brillante frío, los LED RGB más lejanos del controlador de color pueden cambiar de color a un blanco más cálido.</p> 	<p>Energice dos patas iguales de la iluminación de cinta del centro o DEL lazo cerrado y energice ambos extremos de la cinta LED. Estas configuraciones producirán brillantez y color más consistentes sobre la longitud de la tira. Un lazo cerrado es excelente para techo con molduras del perímetro de una habitación o iluminación en cornisa.</p> 	<p>Una matriz usa dos o más patas de varias longitudes cableadas a una fuente de alimentación en una conexión en paralelo. Necesitará calcular el vatiaje total usado en una matriz para proteger a la fuente de alimentación contra sobrecargas.</p> 

6 Elección de una fuente de alimentación

- Consulte las tablas a continuación para obtener las longitudes máximas recomendadas de iluminación de cinta LED RGB con base en su configuración y elija una fuente de alimentación con capacidad nominal mayor que sus necesidades, usted no puede sobreencender la iluminación de cinta LED. Los requerimientos de energía LED mostrados a continuación son para cuando el controlador de color RGB esté ajustado a 100% de energía total de niveles de brillantez y no representan cada escenario de instalación posible.

Longitud máxima de la cinta LED con base en el tipo de configuración y fuente de alimentación		
Fuente de alimentación	Tendido recto	Alimentación central/Lazo cerrado
6 vatios	4,2 pies (1,3m)	No recomendado
15 vatios	15 pies (4,6m)	12,5 pies (3,8m)
30 vatios	30 pies (9,2m)	24 pies (7,3m)
60 vatios	30 pies (9,2m)	60 pies (18,3m)

Las limitaciones de longitud indicadas aquí están basadas en las limitaciones inherentes de la cinta LED RGB debido a la caída de voltaje en un tendido recto. Superar estas longitudes hará que los LED más lejanos de la fuente de alimentación cambien de color cuando estén al 100% de blanco brillante completo. Una fuente de alimentación de mayor vatiaje no reducirá el impacto de la caída de voltaje. Para brillantez más consistente considere una configuración de alimentación central o lazo cerrado.



NOTA: No use un atenuador de pared de 120 V AC estándar con su fuente de alimentación a menos que esta claramente establezca que es atenuable con atenuadores AC.

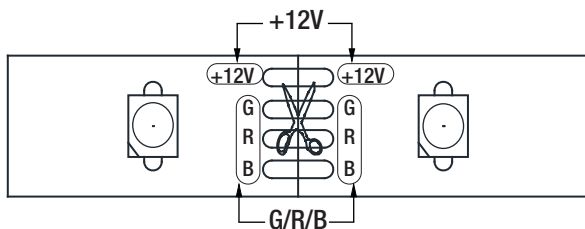
- Debido a la caída de voltaje, las longitudes más largas de cinta LED usarán menos vatios por pie que las longitudes más cortas. Los vatios totales usados en una disposición de matriz dependen del requerimiento de vatiaje de cada pata y de la caída de voltaje global dentro de sus cables de conexión. Una pata puede ser una tira LED individual o serie de tiras conectadas extremo con extremo. Varias patas son conectadas en paralelo directamente a la fuente de alimentación. Calcule el vatiaje para cada pata multiplicando los vatios por pie por la longitud de la iluminación LED en la pata. Incluya solo las longitudes de la cinta LED en su cálculo, no los cables de conexión. Añada los requerimientos de vatiaje de cada pata para determinar los vatios totales que se necesitan para energizar su matriz y seleccione una fuente de alimentación que supere los vatios totales que se necesitan.

Longitud de la pata (Longitud de la pata)	1 a 5 pies	6 a 11 pies	12 a 15 pies.
Vatios usados por pie	1,4 vatios/pie	1,2 vatios/pie	1,0 vatios/pie

Preparación de la instalación (continuación)

7 Corte, conexión y cableado

- Este producto está diseñado para instalaciones de iluminación personalizada. Se necesitan destrezas básicas como pelado y conexiones de cables de empalme.
- Use los indicadores +12V/G/R/B impresos en la luz de cinta RGB para mantener la polaridad y corregir la secuencia del color.



ADVERTENCIA: No conecte a energía de 120V AC. Solo conecte a energía de 12V DC de bajo voltaje.



IMPORTANTE: Mantenga siempre la correcta polaridad del cable RGB.

7.2 Conectores a presión de cable

- Los conectores a presión de cable son usados para ir alrededor de esquinas o, cuando corte por la mitad, para crear dos cables de energía («puentes») para unir y extender cables de energía a iluminación de cinta LED en otras áreas.



Para hacer «puentes» más largos.

Corte por la mitad para crear dos conectores de cable que se puedan empalmar a cables más largos con el fin de llevar energía a las tiras de cinta LED en otras áreas.



IMPORTANTE: Use siempre los indicadores +12V/G/R/B impresos en la luz de cinta para mantener la polaridad y corregir la secuencia del color.

- Para aumentar la longitud del cable entre dos tiras LED, simplemente empalme la longitud extra de cable requerida, generalmente se recomienda 18AWG. Asegúrese de que la polaridad coincida. +12V/G/R/B a +12V/G/R/B. No enrolle el cable; cables de longitudes más cortas y más grueso significará menor caída de voltaje y mayor brillantez. Para obtener una calculadora de caída de voltaje en línea, visite el paso 3.



NOTA: Asegúrese de que todas las conexiones de 12V estén seguras y selladas. Las opciones incluyen soldadura y tubería termocontraíble, conectores de crimpar, bloques terminales, tuercas de cable, etc.

7.1 Corte con tijeras

- Este modelo de luz de cinta RGB se puede cortar cada tres LED o aproximadamente cada 4 pulgadas.
 - Para usar conectores a presión de LED sin soldar, corte la cinta LED con tijeras directamente en el centro de la almohadilla de cobre como se muestra en la posición "A" abajo.
 - También puede cortar la cinta en la posición "B", sin embargo, no use conectores a presión en estas juntas de luz de cinta soldadas.
 - También puede soldar cables de energía de 12V en estas juntas.

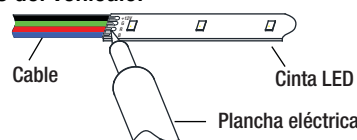


Corte la cinta en el centro de las almohadillas de cobre

Está bien cortar en las juntas de soldadura, pero no use conector

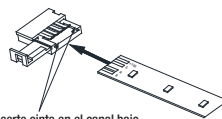
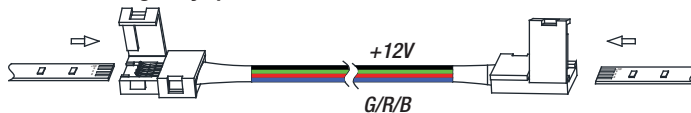


- Soldadura de cables a tiras LED. La soldadura directa de cables a la cinta LED es el método más seguro de hacer conexiones eléctricas extra confiables. Los conectores a presión del LED no están recomendados para marina o RV debido a posibles vibraciones del vehículo.

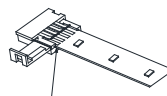


7.3 Cómo usar los conectores a presión

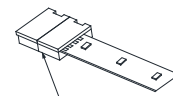
- Los conectores a presión de empalme son para unir dos tiras para crear un tendido continuo de iluminación LED.
 - Abra a la fuerza la tapa del conector a presión (el conector de empalme tiene dos tapas).
 - Usando un movimiento de lado a lado, con cuidado deslice la tira de cinta en el canal del conector como se muestra a continuación para que las almohadillas de cobre en la cinta estén colocadas debajo de los contactos del conector.
 - Cierre y abroche el conector de tapa.
 - Haga una prueba de energía para asegurarse de que la conexión está segura y que los LED encienden antes de la instalación final.
 - Haga una prueba de energía para asegurarse de que la conexión está segura y que los LED encienden antes de la instalación final.



Inserte cinta en el canal bajo las pestañas de contacto



Asegúrese de que la cinta deslice en la muesca del canal

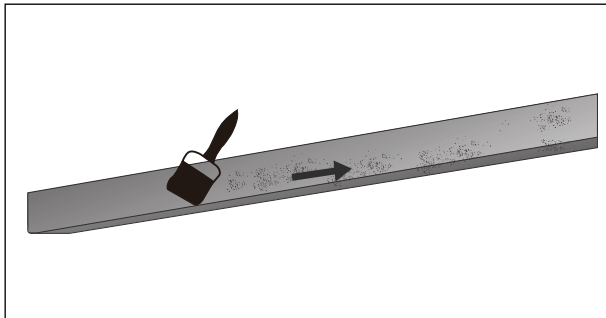


Presione la tapa hasta que abroche y cierre

Instalación

1 Preparación del lugar de montaje

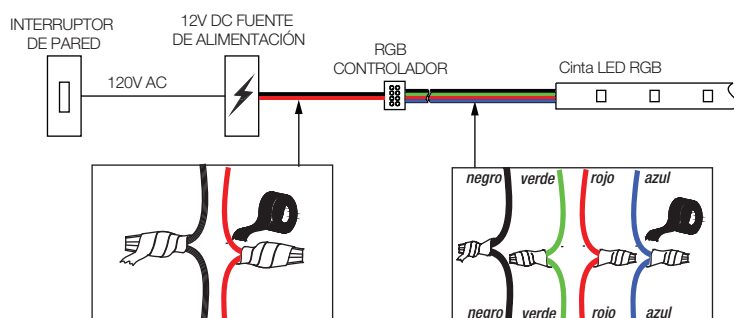
- ❑ Encienda la luz de cinta LED y temporalmente sostenga o encinte en su posición con cinta de pintor o cinta de enmascarar, no retire el papel protector 3M.
- ❑ Ajuste la iluminación a varios ángulos y posiciones para obtener el nivel y apariencia deseados de iluminación. Si los LED crean puntos de luz no deseados en paredes, o reflejos, reubique la tira de luz de cinta más lejos de superficies o intente un ángulo de montaje diferente.
- ❑ Una vez haya determinado la posición de su montaje final, limpie la superficie para asegurarse de que el papel protector autoadhesivo 3M se adhiera adecuadamente.



IMPORTANTE: Antes de retirar el papel protector 3M, es importante probar la tira LED en el espacio que intenta iluminar. Una vez haya retirado el papel protector 3M y la luz de cinta esté completamente instalada, no puede reubicar ni mover la luz de cinta LED a otro lugar. Es posible que la cinta no se pegue con seguridad.

2 Conexión al controlador RGB

- ❑ Conecte el controlador RGB a la cinta LED y a la fuente de alimentación. Mantenga la polaridad para una secuencia correcta del color.



El cable rojo/negro de 2 conductores se conecta a la salida de su fuente de alimentación. El rojo se conecta al rojo (+), el negro al negro (-).

Mantenga la polaridad para una secuencia correcta del color. Asegúrese de que el negro se conecte al negro, el verde al verde, el rojo al rojo, el azul al azul.

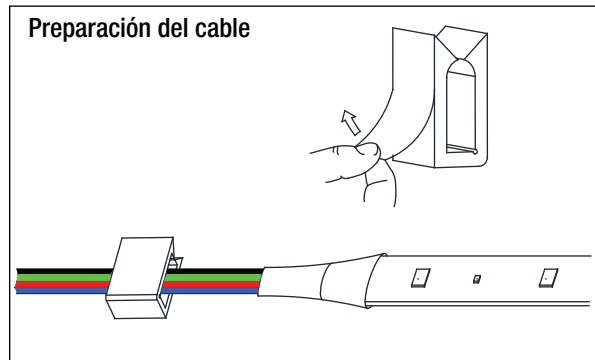
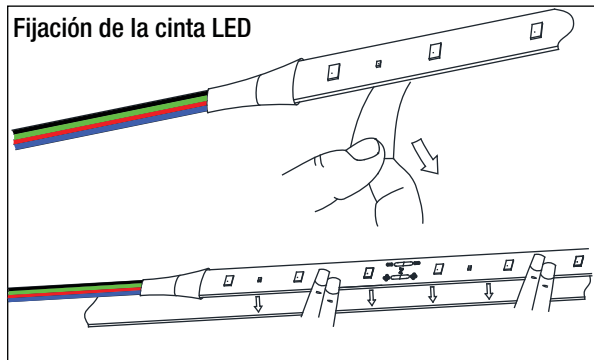


IMPORTANTE: Lea y siga los lineamientos de instalación proporcionados con su luz LED RGB y fuente de alimentación. No conecte el controlador directamente a la corriente doméstica de 120V AC, solo a 12V DC. Todo el cableado debe estar de acuerdo con los códigos eléctricos nacionales y locales, circuito Clase 2 de bajo voltaje. Si tiene dudas sobre cómo instalar y cablear este producto, contacte a un electricista calificado.

Instalación (continuación)

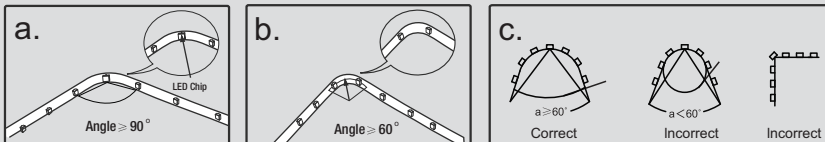
3 Instalación de la luz de cinta LED

- Trabajando de un extremo al otro, retire el papel protector 3M y presione en su lugar. Presione entre los LED para ayudar a asegurar el contacto con la superficie de montaje. Evite presionar sobre los LED individuales ya que podría dañar las conexiones de soldaduras de los LED.
- Soporte el cable de alimentación de 12V usando ganchos de soporte de cables de pelar y pegar.



Nota: Aunque la cinta LED se puede instalar en espacios curvos e irregulares, evite dobleces filosos o doblar en las juntas de soldadura ya que podría dañar la luz de cinta LED. Si un LED está inadvertidamente dañado y no enciende, los LED restantes continuarán funcionando. La cinta LED está hecha de tres LED conectados como una serie. Si experimenta una falla, puede cortar y retirar la serie de tres LED dañada y empalmar nueva cinta LED.

Nota :



- Use un ángulo mayor o igual que 90 grados cuando hay una pastilla LED en la esquina cuando coloque la cinta luminosa en una posición cóncava. (Ángulo $\geq 90^\circ$).
- Use un ángulo mayor o igual que 60 grados cuando no haya una pastilla LED en la esquina cuando coloque la cinta luminosa en una posición cóncava (Ángulo $\geq 60^\circ$).
- Use un ángulo mayor o igual que 50 grados cuando hay una pastilla LED en la esquina cuando coloque la cinta luminosa en una posición convexa (Ángulo $\geq 60^\circ$). En la posición convexa el ángulo no debe llegar a 90 grados. Vea el diagrama de arriba.



ATENCIÓN: Cuando termine la instalación, favor de chequear los extremos de los cables para ver si hay algún cable de cobre desnudo expuesto, si lo hay, favor de sellar los cables uno por uno utilizando cinta eléctrica, tubo que se encoge con el calor, conectores, bornes o tuercas de alambre, etc.

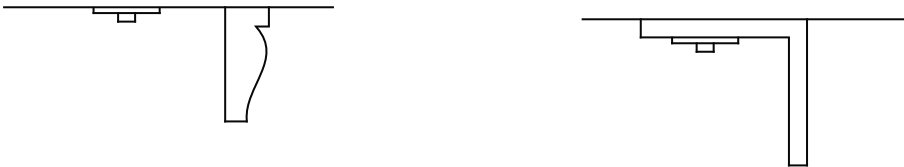
Instalación (continuación)

4 Instalación bajo un gabinete

- Para montaje de superficie, la luz de cinta LED bajo un conjunto de gabinetes en un tendido continuo, puede tener que perforar un agujero de 1/2 pulgadas a través del labio lateral de algún gabinete que pueda estar presente. Instale la luz de cinta LED a través del agujero y montaje de superficie como un tendido continuo.

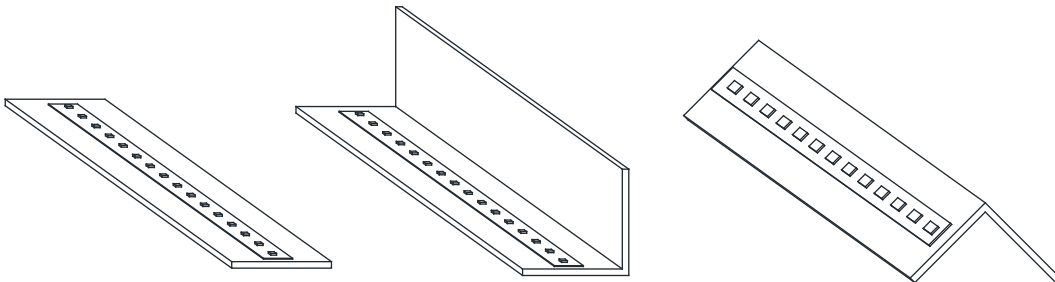


- Cuando monte bajo un gabinete o una repisa sin labio para ocultar la tira de luz de cinta LED, cree una barrera visual usando moldura de tira frontal montada en frente de la luz de cinta LED.

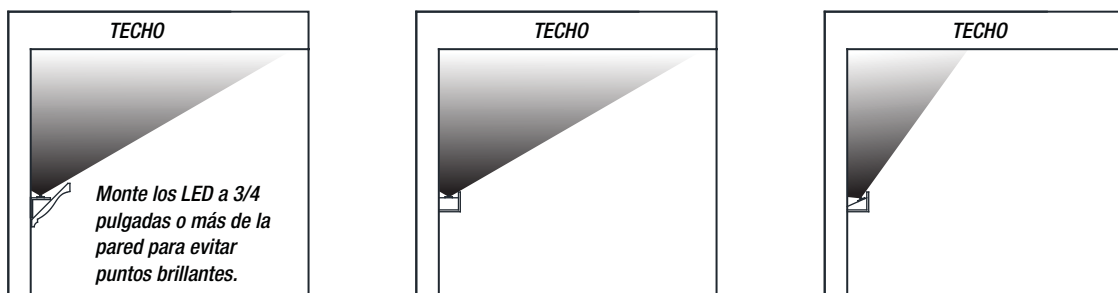


5 Creación de iluminación ascendente sobre gabinete

- La mayoría de superficies de gabinete no son uniformes. Para crear una hermosa iluminación ascendente indirecta sobre gabinetes, simplemente monte la cinta LED en cualquier tira rígida (por ejemplo, celosía delgada o moldura guardaesquina) y colóquela sobre la superficie de los gabinetes. Inclina la posición de la tira para lograr la iluminación deseada.

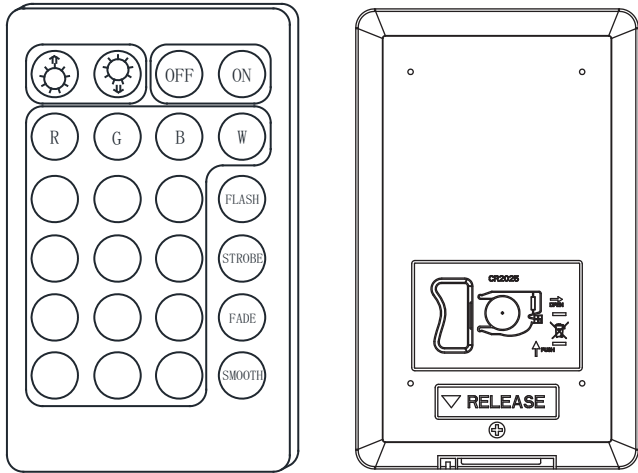


- Para un resplandor continuo y evitar puntos de luz brillante, mantenga la tira de luz de cinta LED al menos a 3/4 pulgadas de las paredes.



Funcionamiento

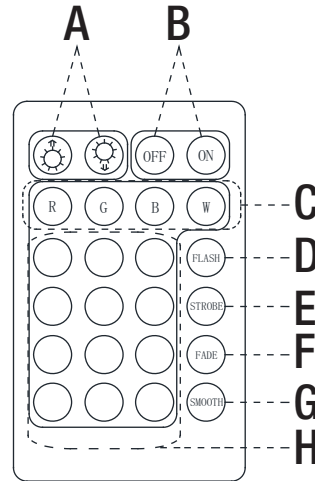
1 El diagrama de la apariencia del remoto



NOTA: El diagrama del remoto (C) anterior no está a escala.

2 Funciones del remoto

- Dirija el control remoto hacia el receptor infrarrojo para manipular los colores RGB en la tira.



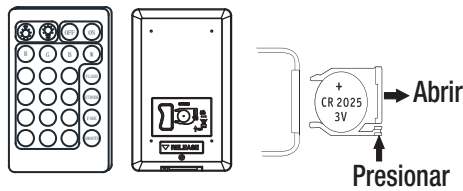
- A---Dirija el control remoto hacia el receptor infrarrojo para manipular los colores RGB en la tira.
- B---Interruptor de encendido/apagado.
- C---R,G,B,W :
Elija el color: rojo, verde, azul o blanco.
- D---Destello tecla 7 cambios repentinos de color.
- E---Tecla de estroboscopio: 3 cambios de atenuación del color.
- F---Tecla de atenuación: 7 cambios de atenuación del color.
- G---Tecla de suavizar: 3 cambios repentinos de color.
- H---Teclas de opción de color: 12 opciones de color.

NOTA: Distancia de eficiencia del sensor \leq 8 metros.

Mantenimiento

Instrucciones de seguridad para el remoto

- Dirija el control remoto hacia el receptor infrarrojo para manipular los colores de la tira.



NOTA: Para cambiar la batería, quite el tornillo pequeño en la parte posterior del remoto (C) y consulte el diagrama en la parte posterior del remoto.

- Compre siempre el tamaño y grado correctos de baterías adecuados para el uso previsto.
- Cambie todas las baterías de un juego al mismo tiempo.
- Limpie los contactos de las baterías y también los del dispositivo antes de instalar las baterías.
- Asegúrese de que las baterías estén instaladas correctamente con respecto a la polaridad (+ y -).
- Retire las baterías del equipo si no se va a usar por largo tiempo.
- Retire oportunamente las baterías usadas.

ADVERTENCIA: El remoto contiene una batería de botón CR2025 de 3V DC. Si se traga podría causar lesiones severas o la muerte en 2 horas. Busque atención médica de inmediato.

Cuidado y limpieza

- Para limpiar la luminaria, primero desconecte la energía apagando el disyuntor de circuito o retirando el fusible de la caja de fusibles. Use un paño limpio y seco o ligeramente humedecido para limpiar la superficie exterior del dispositivo.
- No use ningún limpiador con químicos, solventes o abrasivos ásperos. Use solamente un paño suave y seco para quitar el polvo o limpie con mucho cuidado.

Resolución de fallas

Problema	Causa posible	Solución
La tira de luz de cinta no enciende.	El LED está quemado.	Discontinúe el uso de la lámpara.
	La energía está apagada.	Asegúrese de que el suministro de energía esté conectado.
	El cable eléctrico no está conectado.	Asegúrese de que el cable de energía esté conectado en el tomacorriente.
	El conector tiene conexiones defectuosas.	Verifique que ha mantenido la polaridad correcta (+ a + y - a -). Revise todas las conexiones de la luz de cinta y conmute o atenúe las conexiones de la fuente de alimentación a la luz de cinta LED.
	La energía no es la correcta.	Asegúrese de que la fuente de alimentación sea de 12V DC.
	El disyuntor de circuito está apagado.	Asegúrese de que el disyuntor de circuito esté en la posición ON.
Solo parte de la luz de cinta LED está encendida.	El conector tiene conexiones defectuosas.	Revise las conexiones a la parte de la tira que no está encendida. Confirme que ha mantenido la polaridad correcta a la sección de la unidad.
	La serie LED está dañada.	Corte y retire el grupo de tres LED dañados y empalme tiras de cinta LED o cámbielo por una sección nueva de tres LED.
Las luces de cinta LED parpadean y luego se apagan.	Su fuente de alimentación no es adecuada para la longitud de la luz de cinta LED que está energizando.	Instale una fuente de alimentación de mayor vatiaje o reduzca los vatios usados acortando las longitudes de su iluminación de cinta LED.
Los LED más lejanos de la fuente de alimentación se atenúan visiblemente.	Esto es el resultado de caída de voltaje.	<ul style="list-style-type: none"> <input type="checkbox"/> Disminuya la longitud de los cables de alimentación de 12V o use cables de alimentación más gruesos entre la fuente de alimentación de 12V y la luz de cinta. <input type="checkbox"/> Use longitudes más cortas de la luz de cinta LED. Consulte las opciones de configuración en estos lineamientos. Considere una configuración diferente. <input type="checkbox"/> Use longitudes más cortas de la luz de cinta LED. Consulte las opciones de configuración en estos lineamientos. Considere una configuración diferente.

ESPECIFICACIONES

Voltaje de entrada.....12V DC
 LED Cuenta.....30 LED/m
 LED Modulo.....SMD 2835
 Tamaño del chip.....2835
 Ángulo de haz de luz.....120° de ancho
 Altura/ancho de la cinta.....2 x 10mm

Cortable.....Cada 4 pulgadas aprox. (100mm)
 Listados.....ETL, RoHS, FCC
 País de origen.....China

Declaración de la FCC

Este dispositivo cumple con la parte 15 de las reglas de la FCC. El funcionamiento está sujeto a las siguientes dos condiciones:

- (1) Este dispositivo no puede causar interferencia dañina, y
- (2) este dispositivo debe aceptar toda interferencia recibida, incluso la que puede causar un funcionamiento indeseado.



PRECAUCIÓN: any changes or modifications not expressly approved by the party responsible for cumplimiento podrían anular la autoridad del usuario para operar el equipo.

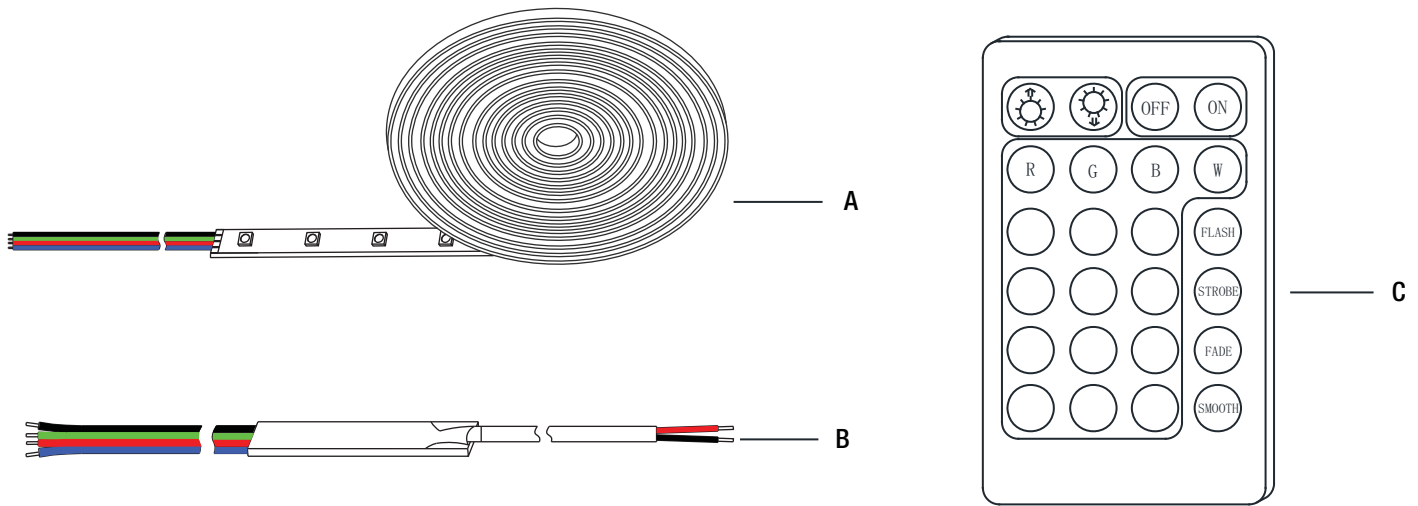
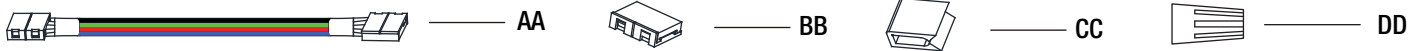


NOTA: Este equipo ha sido probado y se ha encontrado en cumplimiento con los límites correspondientes para un dispositivo digital de la Clase B, conforme a la Parte 15 de las Reglas de la FCC. Estos límites están diseñados para brindar una protección razonable contra la interferencia dañina en una instalación residencial. Este equipo genera, usa y puede irradiar energía de radiofrecuencia, si no se instala y se usa conforme a las instrucciones puede causar interferencia perjudicial a las comunicaciones de radio. Sin embargo, no existe garantía de que no ocurra interferencia en una instalación en particular. Si este equipo efectivamente causa interferencia dañina a la recepción de radio o televisión, lo cual puede determinarse apagando y encendiendo el equipo, se recomienda al usuario que trate de corregir la interferencia realizando uno o varios de los siguientes pasos:

- Cambiar de dirección o de lugar la antena receptora.
- Aumentar la separación entre el equipo y el receptor.
- Conectar el equipo en un tomacorriente en un circuito diferente de donde esté conectado el receptor.
- Consulte al concesionario o a un técnico de radio/TV con experiencia para que le ayude.

Piezas de servicio

TIPO DE MODELO: 17068



Piez	Descripción	Cantidad
AA	Cable conector (9 pulgadas)	3
BB	Conector a presión	1
CC	Gancho de alambre	2
DD	Conector de cable	4

Piez	Descripción	Cantidad
A	20 pies Cinta LED RGB	1
B	Controlador RGB	1
C	Remoto	1



¿Tiene preguntas, problemas, o faltan piezas? Antes de regresar a la tienda,
llame a Servicio al Cliente de Commercial Electric de lunes
a viernes de 8 a.m. a 7 p.m., sábado de 9 a.m. a 6 p.m., hora local del Este.

1-877-527-0313

HOMEDEPOT.COM

Conserve este manual para uso futuro.