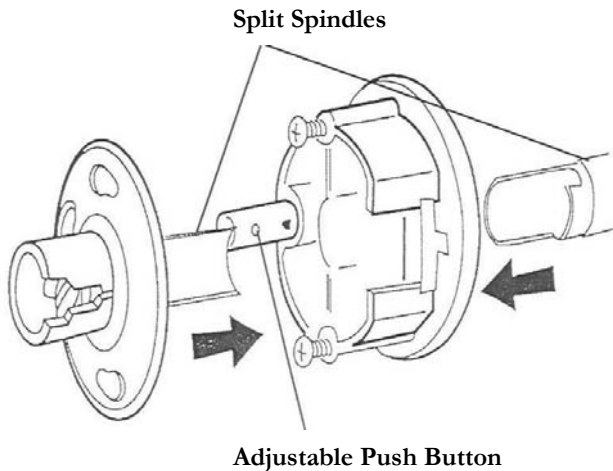


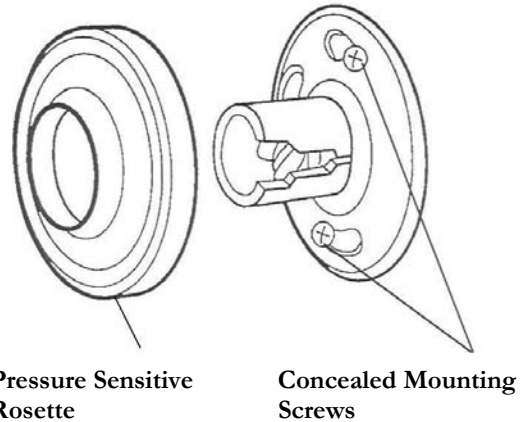
WESLOCK[®]

FEATURES AND BENEFITS



Split Spindles

Adjustable Push Button



Pressure Sensitive Rosette

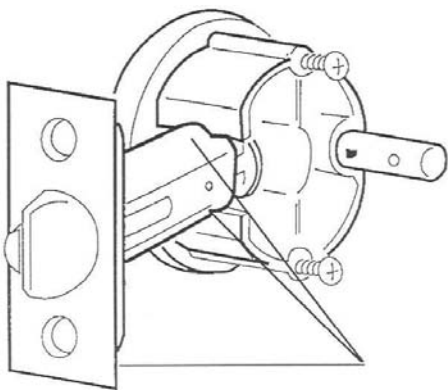
Concealed Mounting Screws

Split Spindles

- Bind Free
- Spindles are made of hardened steel
- Minor misalignment lock will still operate smoothly

Concealed Mounting Screws

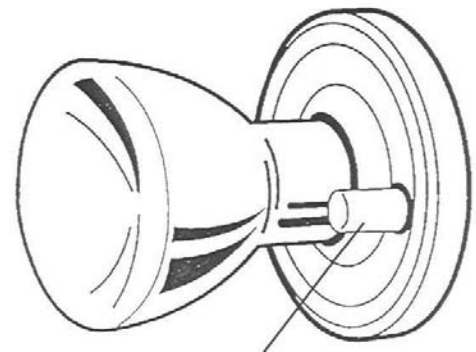
- Hidden by trim (rosette)
- No slip of screwdriver to scratch rosette
- Easy access to screws
- Built-in locks on screw head (will not loosen)



Solid Support to Door

Easy Action Latch

- Soft Spring for easy closing
- Stiff spring for snappy knob return
- Stout spring in deadlatch to prevent credit card entry
- Solid support to the door



Push Button

Push Button Inside Lock

- Panic-Proof
- Turn knob either way
- Small children can operate
- Off the knob push button keeps knob clean
- Featured on higher priced, heavy duty locks