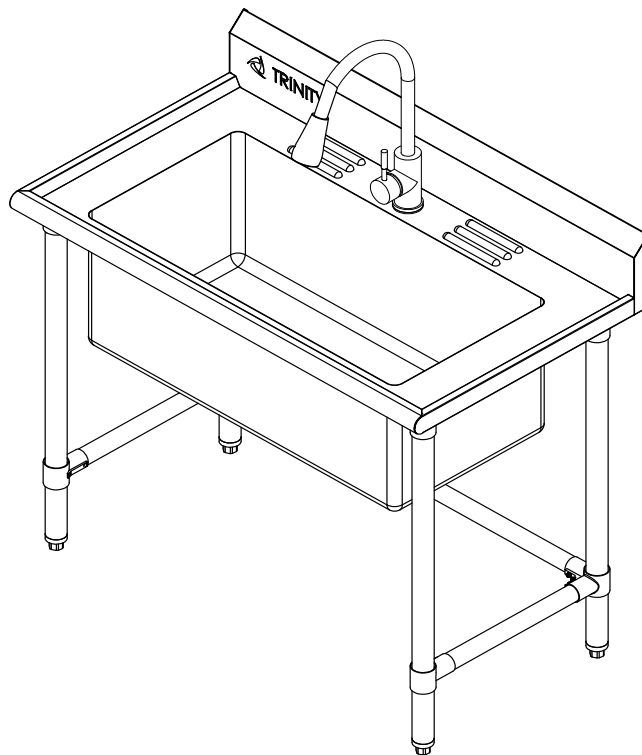




# OWNER'S MANUAL



## TRINITY 32" x 16" Stainless Steel Utility Sink w/Pull-out Faucet Model # THA-0310



**Important / Important / Importante**

FOR QUICK & EASY 3D ASSEMBLY INSTRUCTIONS  
POUR DES DIRECTIVES D'ASSEMBLAGE 3D RAPIDES ET FACILES  
PARA INSTRUCCIONES DE ENSAMBLAJE RAPIDAS Y SENCILLAS EN 3D

**BILT.**<sup>®</sup>  
Intelligent Instructions  
Directives intelligentes  
Instrucciones Inteligentes



DOWNLOAD THE FREE APP | TÉLÉCHARGER L'APPLICATION GRATUITE | DESCARGUE LA APLICACIÓN GRATUITA

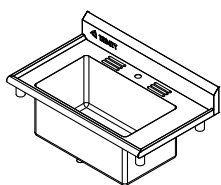
# PARTS LIST

Your TRINITY Stainless Steel Utility Sink w/Pull-out Faucet should include the following parts. Please inspect box contents to ensure you have received all components.

If you are missing any parts, need assistance with assembly or have questions, please contact TRINITY Customer Service: 800.985.5506 or [customerservice@trinityii.com](mailto:customerservice@trinityii.com). Parts can also be requested online at [www.trinityii.com](http://www.trinityii.com) (Help & More, Contact Us).

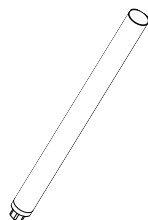
A Phillips head screwdriver is required for assembly, and a pipe wrench is recommended.

A



**SINK (1)**

B



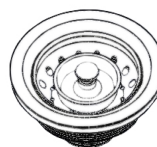
**LEG (4)  
w/ Feet Leveler**

C



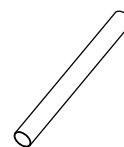
**FAUCET  
ASSEMBLY (1)  
w/ Hoses**

D



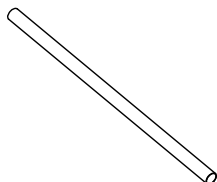
**DRAIN  
ASSEMBLY (1)  
P-trap not included**

E



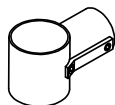
**SHORT CROSS  
BEAM (2)**

F



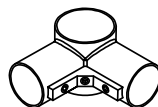
**LONG CROSS  
BEAM (1)**

G



**2-WAY  
CONNECTOR (2)**

H



**3-WAY  
CONNECTOR (2)**

I



**HEX SCREW  
(18) + (2) extra  
(8) are pre-installed on sink,  
(10) are pre-installed on connectors.**

J



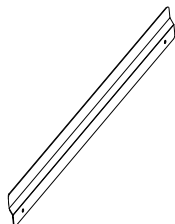
**SCREW CAP (8)**

K



**HEX KEY (1)**

L



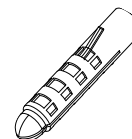
**BRACKET (1)**

M



**MOUNTING SCREW  
(2)**

N



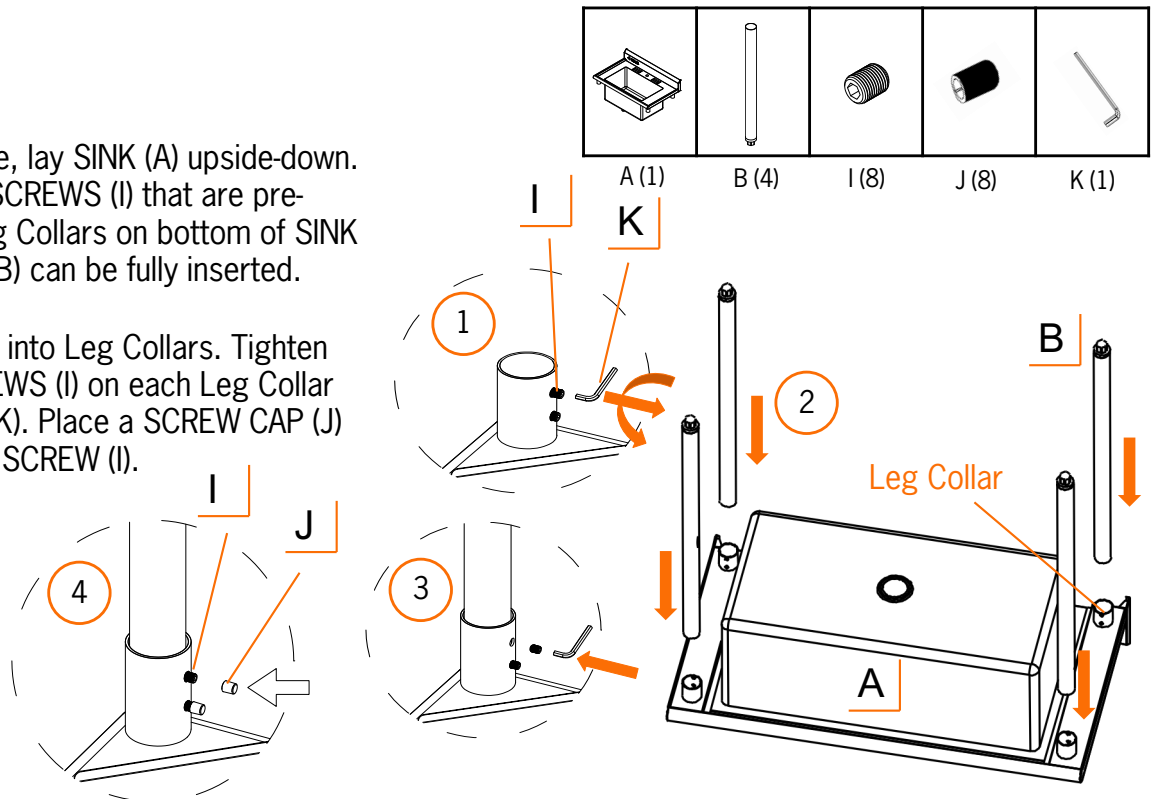
**ANCHOR  
(2)**

# ASSEMBLY INSTRUCTIONS

## STEP 1

With two people, lay SINK (A) upside-down. Unscrew HEX SCREWS (I) that are pre-installed on Leg Collars on bottom of SINK (A) until LEGS (B) can be fully inserted.

Insert LEGS (B) into Leg Collars. Tighten both HEX SCREWS (I) on each Leg Collar with HEX KEY (K). Place a SCREW CAP (J) over each HEX SCREW (I).



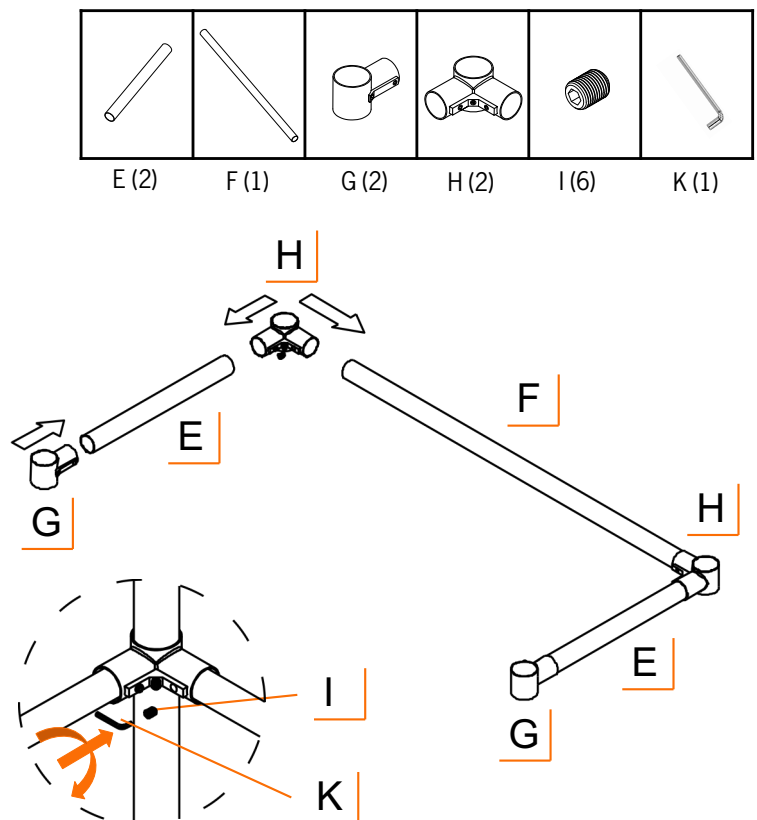
## STEP 2

Unscrew HEX SCREWS (I) that are pre-installed on Connectors (G/H) until Cross Beams (E/F) can be fully inserted.

On a flat surface connect Connectors (G/H) and Cross Beams (E/F) into a U-shape as shown in diagram.

Make sure all Cross Beams (E/F) are pushed all the way into the Connectors (G/H).

Use HEX KEY (K) to tighten HEX SCREW (I) against Cross Beams



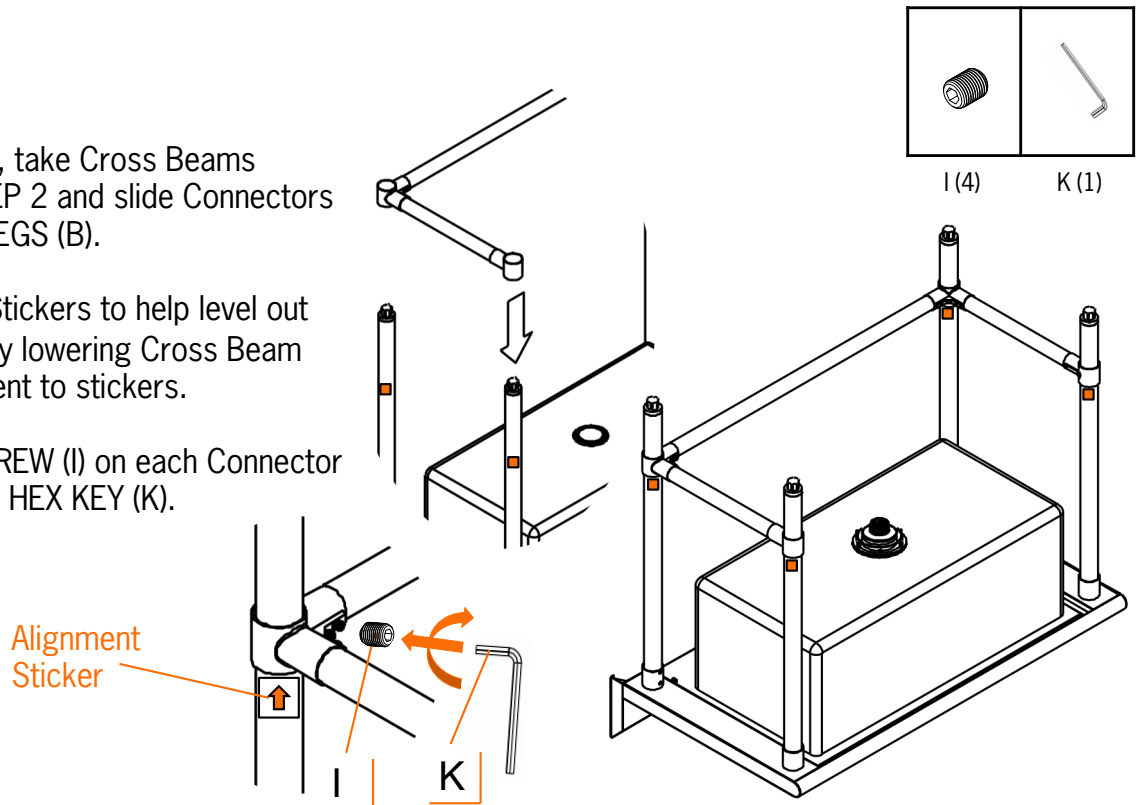
# ASSEMBLY INSTRUCTIONS

## STEP 3

With two people, take Cross Beams assembly in STEP 2 and slide Connectors (G+H) over all LEGS (B).

Use Alignment Stickers to help level out Cross Beams, by lowering Cross Beam assembly adjacent to stickers.

Tighten HEX SCREW (I) on each Connector to LEGS (B) with HEX KEY (K).



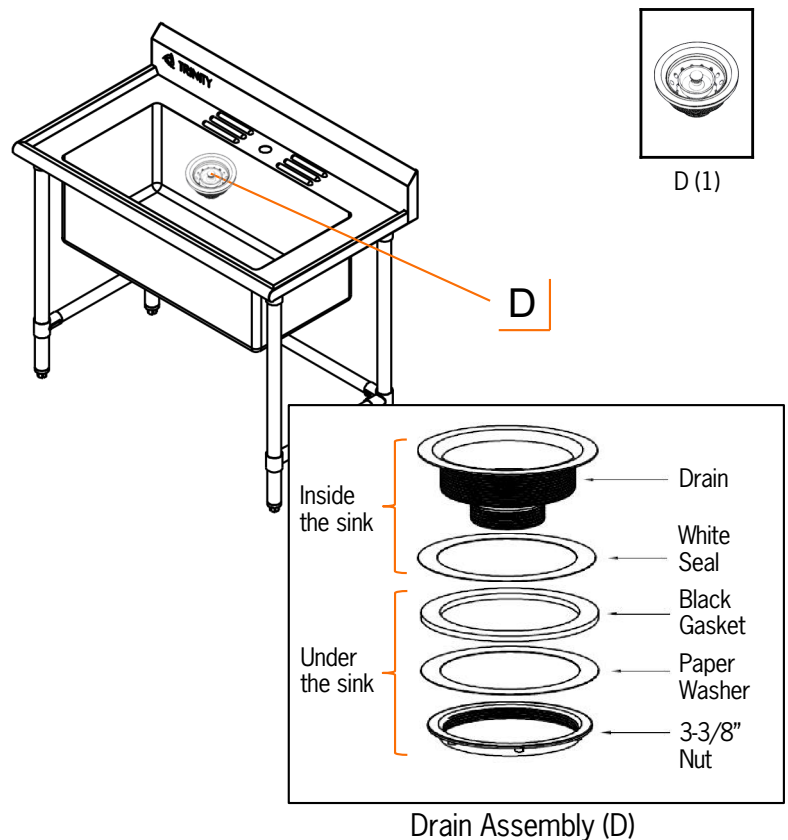
## STEP 4

With two people, carefully turn sink right-side up, standing it upright.

Unscrew large 3-3/8" Nut from bottom of DRAIN ASSEMBLY (D). From inside SINK (A), insert Drain through White Seal and opening at bottom.

From under SINK (A), first slide on Black Gasket and Paper Gasket then screw large 3-3/8" Nut back on tightly. If necessary, use a pipe wrench to tighten.

**Note:** P-trap NOT included.



# ASSEMBLY INSTRUCTIONS

## STEP 5

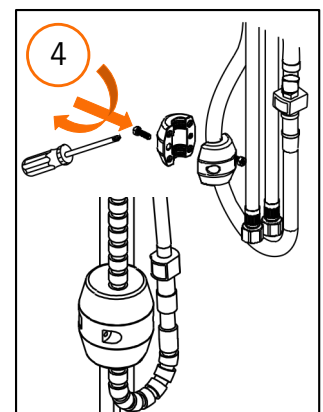
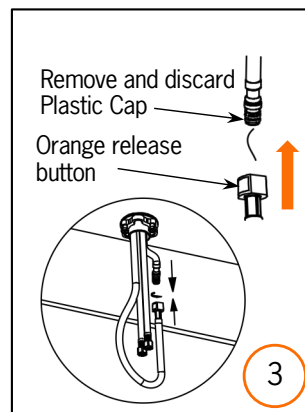
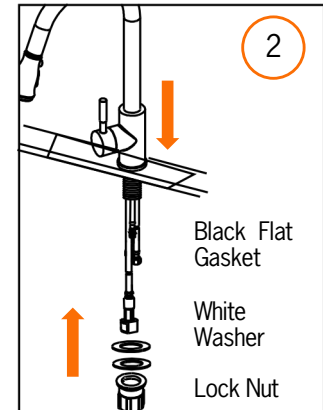
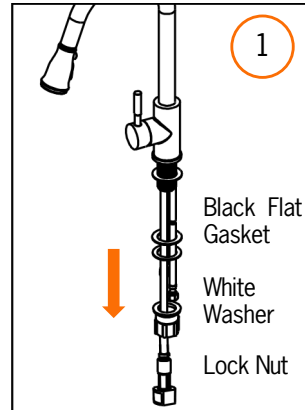
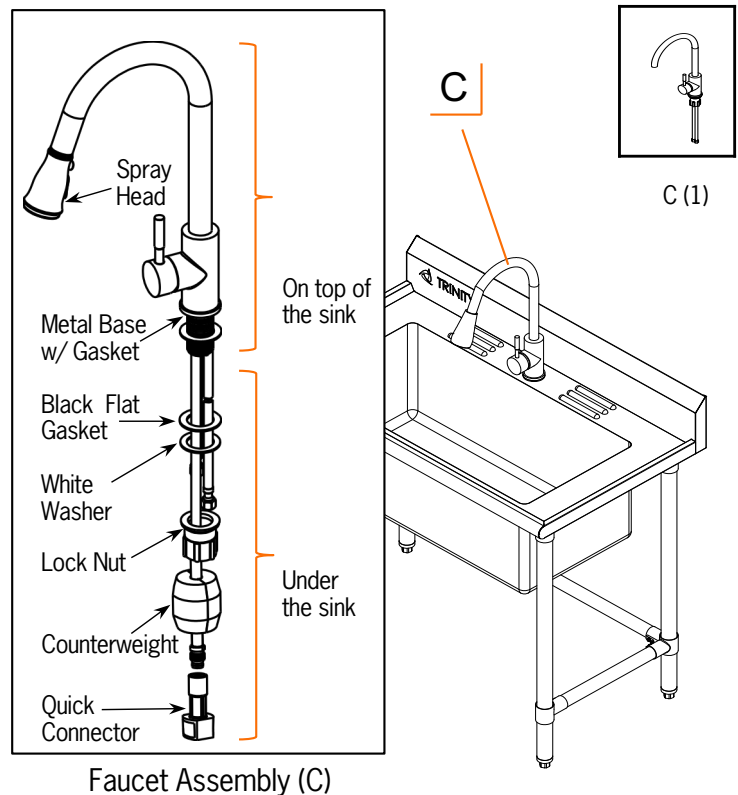
Unscrew Lock Nut from bottom of FAUCET ASSEMBLY (C) and remove Lock Nut, White Washer and Black Flat Gasket.

From top side, make sure Metal Base w/ Gasket is on top of SINK (A) and all 4 hoses are straight and untangled. Insert FAUCET ASSEMBLY (C) through hole, first with Quick Connector hose, then hot and cold water supply hoses with metal fittings, finally the short hose with plastic cap.

Once all hoses are carefully threaded through hole and FAUCET ASSEMBLY (C) is sitting flush on top of SINK (A), align faucet handle facing towards front of SINK (A). From under SINK (A), first slide on Black Flat Gasket, then White Washer, then screw on Lock Nut. Tighten Lock Nut as much as you can by hand. If necessary, use a pipe wrench to tighten.

Remove and discard the Plastic Cap from short hose and push Quick Connector to connect two ends of hoses. You should hear a soft click to indicate secure connection and orange release button should return to flush with housing. You may also give two ends of hose a soft tug to ensure they are connected securely.

Locate Counterweight in the box, use a Phillips screwdriver to separate two halves of Counterweight by unscrewing screws securing them. Make sure Spray Head is pushed up against the spout and pull-out hose is dangling unhindered. Re-secure Counterweight just above the turn of pull-out hose, on side opposite Quick Connector. Counterweight position can be moved up to decrease amount of Spray Head pull-out if desired.



# ASSEMBLY INSTRUCTIONS

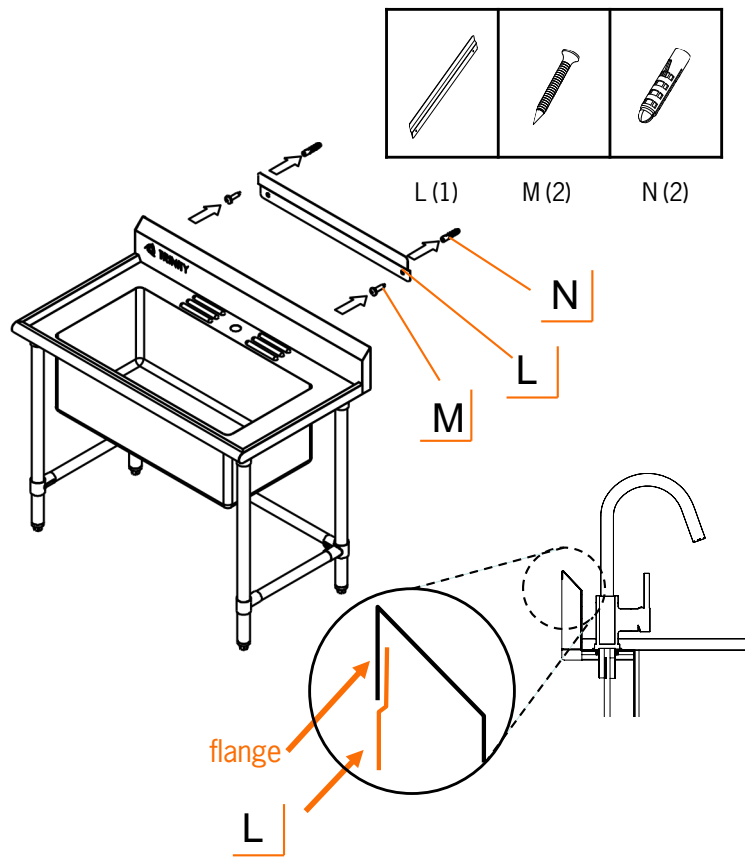
## STEP 6

Carefully move sink against wall at your desired location. If needed, use a pencil to mark off mounting height of BRACKET (L).

Position BRACKET (L) on wall, marking off fastening location on wall through holes on BRACKET (L). Drill holes in marked locations. Insert ANCHOR (N) completely into each drilled hole. Fasten MOUNTING SCREWS (M), through holes on BRACKET (L), into anchors tightly with a screwdriver.

Slightly lift sink and hook flange of sink over BRACKET (L). Adjust Feet Levelers to ensure sink is stable and level. Connect Hoses and Drain to plumbing system.

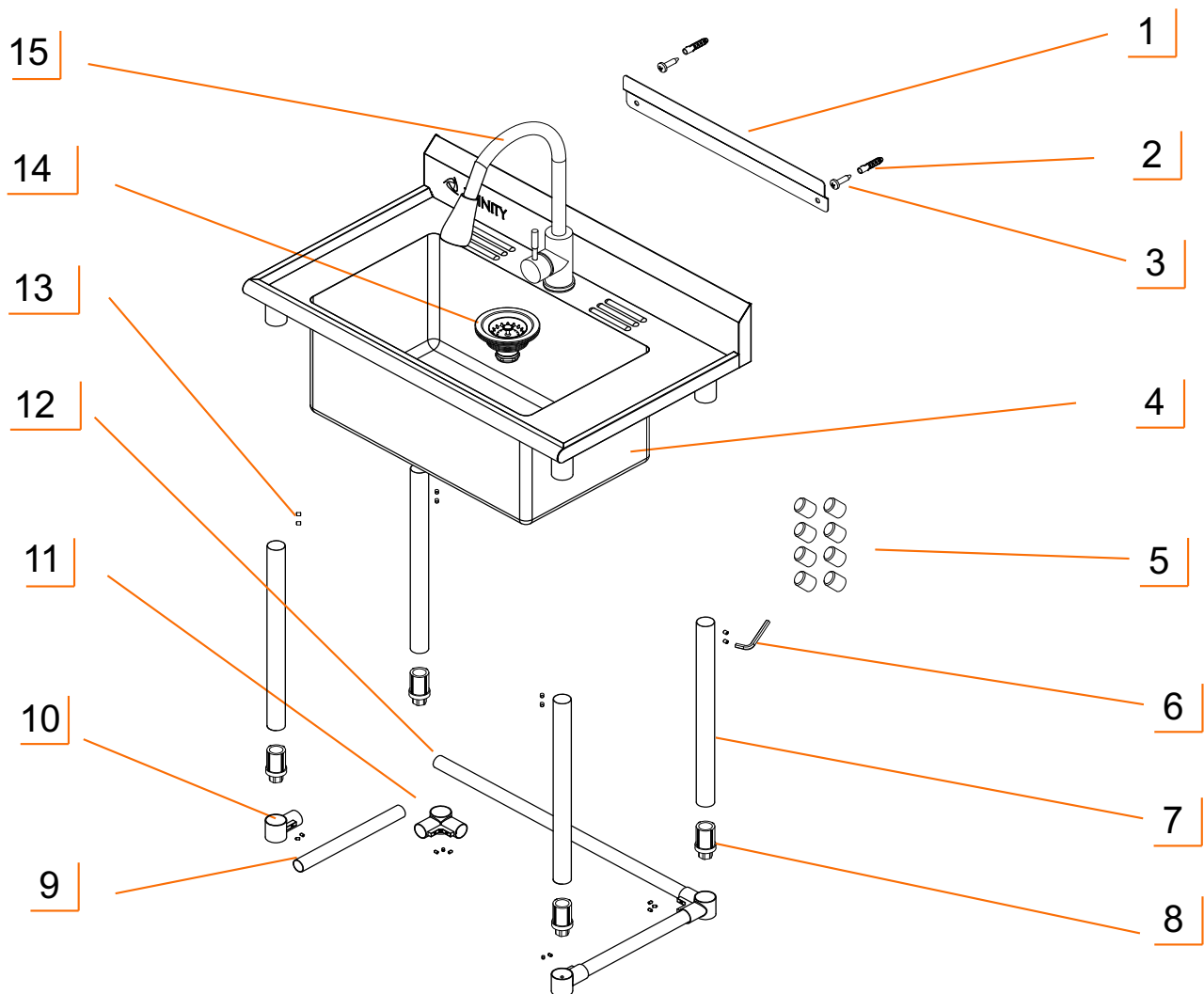
**Note:** Bracket is to prevent sink tipping, NOT for mounting sink to a wall. Do NOT mount sink to a wall without legs.



# SERVICE PARTS LIST

TRINITY Customer Service provides the following replacement parts:

Part Number	Description	Part Number	Description
1) XBS-19-007-1600	Bracket	9) XGL-13-013-1615	Short Cross Beam
2) XGR-01-032-0440	Anchor	10) XSV-01-039-0302	2-Way Connector
3) XSV-01-033-0440	Mounting Screw	11) XSV-01-040-0303	3-Way Connector
4) XBS-18-019-3216	Sink	12) XGL-13-013-3640	Long Cross Beam
5) XBK-23-005-0815	Screw Cap	13) XSV-01-034-0808	Hex Screw
6) XXX-97-001-0001	Hex Key	14) XGL-02-003-0002	Drain Assembly
7) XGL-04-046-3200	Leg	15) XBS-02-009-0007	Faucet Assembly
8) XSV-98-004-4287	Feet Leveler		



# WARNINGS

- 1. Read and understand all instructions.** Failure to follow all instructions may result in injury and/or damage.
- 2. The warnings, cautions, and instructions discussed in this manual cannot cover all possible conditions or situations that may occur.** The user must always be aware of their environment and ensure that they use the product in a safe and responsible manner.
- 3. Do NOT modify the product in any way.** Unauthorized modification may impair the function and/or safety of the product, and may affect the life of the product. Any modifications will void product warranty.
- 4. Check for damaged parts.** Before using this product, carefully check that all parts are in good condition, and that the product will operate properly and perform its intended function. Check for damaged parts and any other conditions that may affect the operation of this product. Replace damaged or worn parts, and never use this product with a damaged part.
- 5. Do NOT overload the product.**

Total weight capacity	300 lb
-----------------------	--------

- 6. Ensure backflow prevention compliance.** Equipment is to be installed with adequate backflow prevention to comply with applicable federal, state and local codes.
- 7. Do NOT let children climb on or in Utility Sink.**
- 8. Ensure to install the wall bracket.** Failure to do so may result in tipping.
- 9. Do NOT mount the sink to a wall without legs.** The wall bracket is to prevent tipping, NOT for mounting the sink to a wall.





---

## CARE AND MAINTENANCE

- Avoid harsh, abrasive cleaners, and other corrosive chemicals. Do not leave salt in sink or near saltwater environment.
- Rinse surface thoroughly with hot water after using soaps and detergents containing chlorides to prevent corrosion.
- Do not use scouring pad, carbon steel brushes, or steel wool for cleaning. Iron particles left behind can lead to rust.
- Avoid the use of oily rags or greasy cloths when wiping the surface. Wipe dry after use so that water does not leave water spots.
- Use a quality stainless steel cleaner and follow instructions that come with the cleaner. Wipe ALONG the grain (NOT against).
- This product is intended for indoor use. Outdoor use is not recommended.



# PRODUCT REGISTRATION

Thank you for purchasing a TRINITY Stainless Steel Utility Sink w/Pull-out Faucet. In order to register your product and receive streamlined customer service, please fill out the following Product Registration Form and (1) fax the form to 310.347.4134 (2) complete the Product Registration Form online at [www.trinityii.com](http://www.trinityii.com) or (3) scan and email the form to [customerservice@trinityii.com](mailto:customerservice@trinityii.com). Include a copy of your original receipt with your submission.

First Name: \_\_\_\_\_ Last Name: \_\_\_\_\_

Address: \_\_\_\_\_

City: \_\_\_\_\_ State: \_\_\_\_\_ Zip Code: \_\_\_\_\_

Email Address: \_\_\_\_\_ Phone: \_\_\_\_\_

Product Model #: THA-0310 Purchase Date: \_\_\_\_ / \_\_\_\_ / \_\_\_\_

Location of Purchase: \_\_\_\_\_

Please rate the importance of each feature (1=least important; 10=most important)

Quality \_\_\_\_ Price \_\_\_\_ Size/Capacity \_\_\_\_ Appearance \_\_\_\_ Other \_\_\_\_

How did you hear about our product?

- Magazine Ad     Catalog     Salesperson     Word of Mouth  
 Internet     Store Display     Other

- Marital Status:                       Single                       Married  
Household Income:                 Below \$50,000     \$50,000-\$150,000     \$150,000+  
Education:                             High School     College     Graduate School  
Primary Residence:                 Own                       Rent

Comments/Suggestions:



---

# 1 YEAR LIMITED WARRANTY

## TRINITY Stainless Steel Utility Sink w/Pull-out Faucet Model # THA-0310

Trinity International Industries (“Trinity”) warrants to the original consumer purchaser (“Purchaser”) of the TRINITY Stainless Steel Utility Sink w/Pull-out Faucet (“Product”) that each Product shall be free from defects in workmanship and materials for a period of 1 year from the date of original purchase. Trinity’s obligation under this warranty shall be limited to repair or replacement of, or adequate compensation for the Product which shall not be greater than the amount of the purchase price of the Product, at the option of Trinity, during the warranty period. All replaced parts and Products become the property of Trinity and must be returned to Trinity.

This warranty excludes normal wear and tear of the Product and its parts or components, and damage arising from any of the following: negligent use or misuse of the Product, use contrary to this User’s Manual, or alteration by any one other than Trinity. The warranty period of 1 year shall not be extended or renewed by the repair or replacement of, or compensation for, the Product. Any warranty implied by applicable law is limited in duration to one year from the date of purchase and is subject to the same conditions and limitations as is provided for our express warranty.

Except as set forth herein, and to the extent of applicable there are no warranties on this Product either express or implied, and Trinity disclaims all warranties including, but not limited to, any implied warranties of merchantability, infringement or fitness for a particular purpose. No warranty or guarantee given by any person, firm, or corporation with respect to this product shall be binding on Trinity.

If your Product is defective or otherwise requires service or parts, please call TRINITY Customer Service toll-free at (800) 985-5506, between 5:00 a.m. and 5:00 p.m., PST. Please tell us which model you purchased, the date of the purchase, and the problem with your Product. A copy of your original purchase receipt must accompany your service request.

### LIMITATION OF REMEDIES AND LIABILITY

Trinity (and its employees, officers, members, managers, affiliates and assigns) shall not be liable for any incidental, consequential, special, indirect, remote, special or punitive damages for breach of any warranty, express or implied, including, but not limited to, lost profits, lost savings, loss of anticipated benefits and attorneys’ fees, which arise out of the purchase, use or inability to use the Product, whether arising out of contract, negligence, strict tort, product liability, or any other legal theory on which a claim is based. As noted above, to the extent damages are allowed by our express warranty or by applicable law, those damages may not exceed the purchase price paid for the Product. Without limiting the foregoing Purchaser assumes all risk and liability for loss, damage or injury to Purchaser and Purchaser’s property and to others and their property arising out of the use, misuse, or inability to use this Product. This limited warranty shall not extend to anyone other than the original purchaser of this product, is nontransferable and states your exclusive remedy.

Some states do not allow the exclusion or limitation of incidental, consequential, special, or punitive damages, so the above limitation or exclusion may not apply to you. The above warranty gives you specific legal rights, and you may have other rights which vary from state to state.

---

## CONTACT US

**QUESTIONS? NEED PARTS?  
WE ARE HERE TO HELP!**

Please feel free to contact us. There are no questions too small, or any problems too big. We're committed to providing our customers with the highest level of service.

**TRINITY Customer Service**

**TEL: 800.985.5506**

**FAX: 310.347.4134**

**EMAIL: [customerservice@trinityii.com](mailto:customerservice@trinityii.com)**

**Monday through Friday  
5:00 AM – 5:00 PM (PST)**

**[www.trinityii.com](http://www.trinityii.com)**