



OPERATOR'S MANUAL

MANUEL D'UTILISATION
MANUAL DEL OPERADOR

18 V EZCLEAN 600 PSI POWER CLEANER

NETTOYEUR ÉLECTRIQUE PORTATIF
EASY CLEAN 600 PSI DE 18 V
LIMPIADOR ELÉCTRICO
EASY CLEAN 600 PSI DE 18 V

RY121850

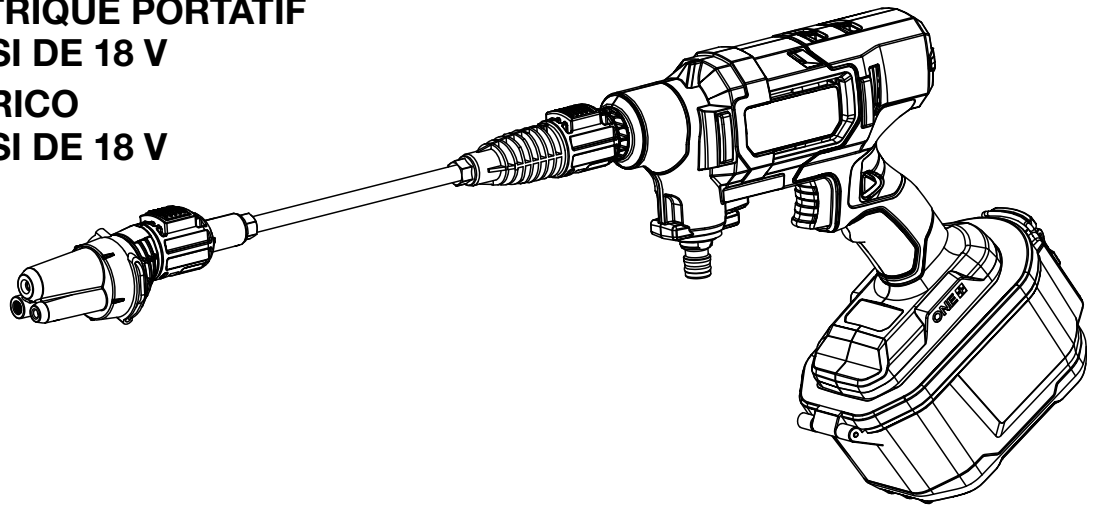


TABLE OF CONTENTS

- Important Safety Instructions2
- Specific Safety Rules 3-4
- Specific Rules for Battery Operation...5
- Symbols.....6
- Features.....7
- Assembly 7-8
- Operation..... 9-10
- Maintenance..... 11
- Parts Ordering and Service . Back Page

TABLE DES MATIÈRES

- Instructions importantes concernant la sécurité 2-3
- Règles de sécurité particulières 3-4
- Règles particulières concernant l'utilisation de la pile.....5
- Symboles..... 6-7
- Caractéristiques7
- Assemblage..... 8-9
- Utilisation..... 9-11
- Entretien 11-12
- Commande de pièces et réparation..... Page arrière

ÍNDICE DE CONTENIDO

- Instrucciones de seguridad importantes..... 2-3
- Reglas de seguridad específicas 3-4
- Reglas específicas para el funcionamiento a batería5
- Símbolos 6-7
- Características7
- Armado..... 8-9
- Funcionamiento..... 9-11
- Mantenimiento..... 12
- Pedidos de piezas y servicio..... Pág. posterior

⚠ WARNING: To reduce the risk of injury, the user must read and understand the operator's manual before using this product.

⚠ AVERTISSEMENT : Pour réduire les risques de blessures, l'utilisateur doit lire et veiller à bien comprendre le manuel d'utilisation avant d'employer ce produit.

⚠ ADVERTENCIA: Para reducir el riesgo de lesiones, el usuario debe leer y comprender el manual del operador antes de usar este producto.

SAVE THIS MANUAL FOR FUTURE REFERENCE

CONSERVER CE MANUEL POUR FUTURE RÉFÉRENCE

GUARDE ESTE MANUAL PARA FUTURAS CONSULTAS

See this fold-out section for all of the figures referenced in the operator's manual.

Consulter l'encart à volets afin d'examiner toutes les figures mentionnées dans le manuel d'utilisation.

Consulte esta sección desplegable para ver todas las figuras a las que se hace referencia en el manual del operador.

FIG. 1

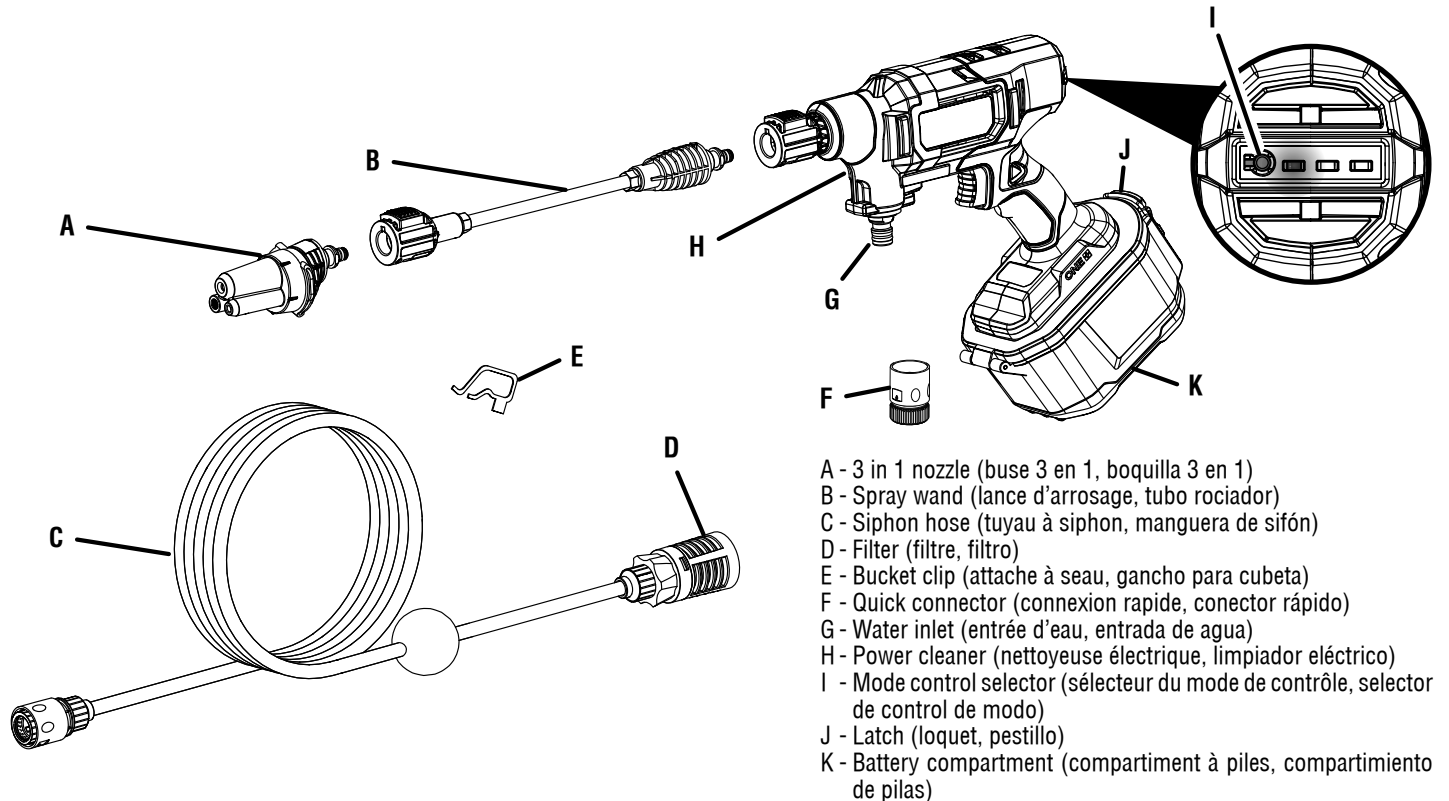
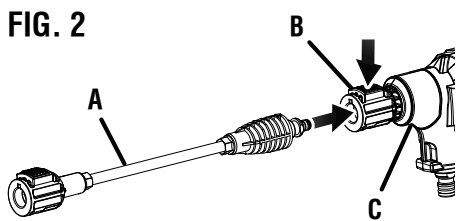
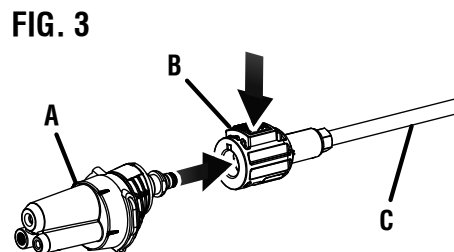


FIG. 2



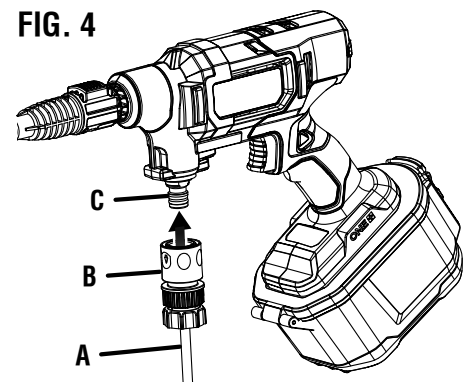
A - Spray wand (lance d'arrosage, tubo rociador)
 B - Button (bouton, botón)
 C - Power cleaner (nettoyeuse électrique, limpiador eléctrico)

FIG. 3



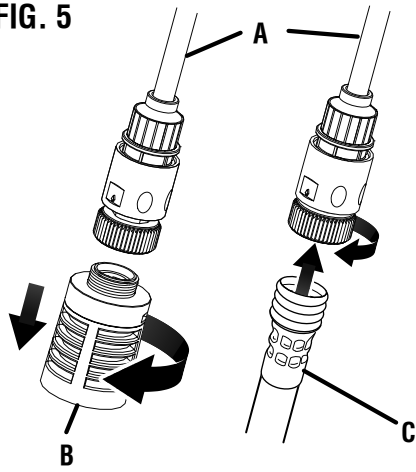
A - 3 in 1 nozzle (buse 3 en 1, boquilla 3 en 1)
 B - Button (bouton, botón)
 C - Spray wand (lance d'arrosage, tubo rociador)

FIG. 4

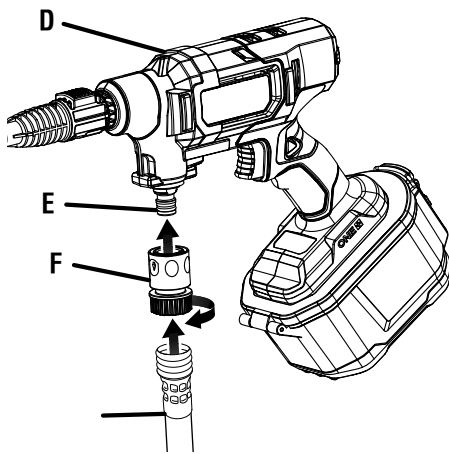


A - Siphon hose (tuyau à siphon, manguera de sifón)
 B - Quick connect collar (quick connect collar, quick connect collar)
 C - Water inlet (entrée d'eau, entrada de agua)

FIG. 5

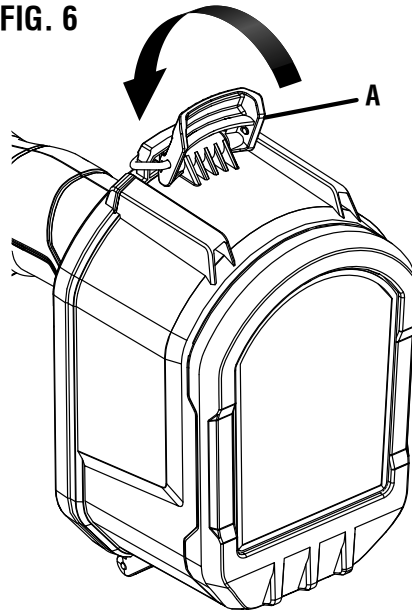


OR



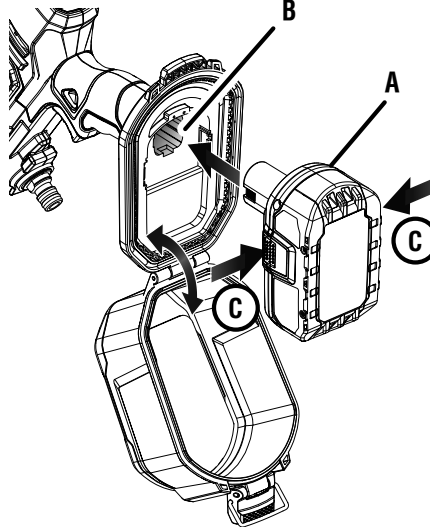
- A - Siphon hose (tuyau à siphon, manguera de sifón)
- B - Filter (filtre, filtro)
- C - Garden hose (boyau d'arrosage, manguera de jardín)
- D - Power cleaner (nettoyeuse électrique, limpiador eléctrico)
- E - Water inlet (entrée d'eau, entrada de agua)
- F - Quick connector (connexion rapide, conector rápido)

FIG. 6



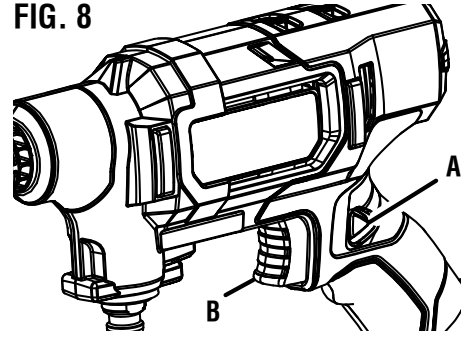
- A - Latch (loquet, pestillo)

FIG. 7



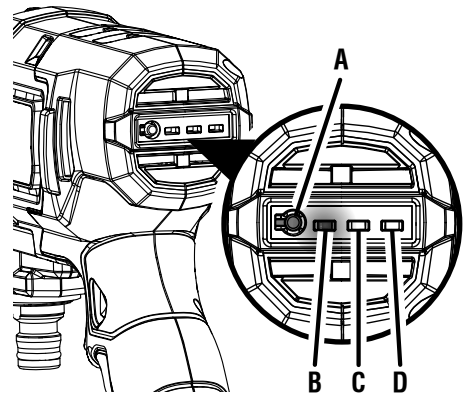
- A - Battery pack (bloc-piles, paquete de baterías)
- B - Battery port (logement de batteries, receptáculo para pilas)
- C - Depress latch to release battery pack (appuyer sur les loquets pour libérer le bloc-pile, para soltar el paquete de baterías oprima los pestillos)

FIG. 8



- A - Lock-out button (bouton de verrouillage, botón del seguro)
- B - Switch trigger (gâchette, gatillo del interruptor)

FIG. 9



- A - Mode control selector (sélecteur du mode de contrôle, selector de control de modo)
- B - Low flow (débit bas, flujo bajo)
- C - Medium flow (débit moyen, flujo medio)
- D - High flow (débit élevé, flujo alto)

FIG. 10

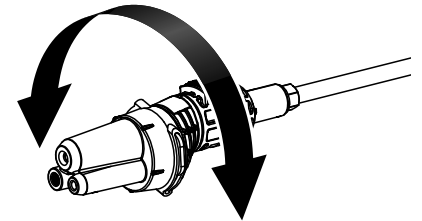
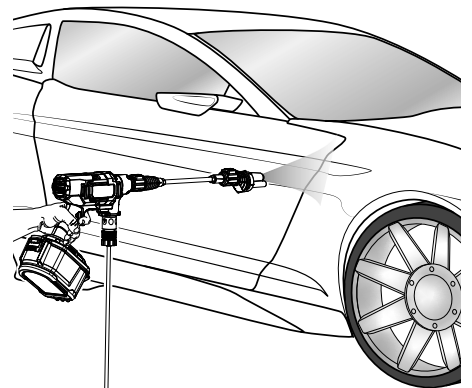


FIG. 11



IMPORTANT SAFETY INSTRUCTIONS

WARNING:

Read and understand all instructions. Failure to follow all instructions listed below may result in electric shock, fire and/or serious personal injury.

READ ALL INSTRUCTIONS

- **Know your tool.** Read the operator's manual carefully. Learn the machine's applications and limitations as well as the specific potential hazards related to this tool.
- **Keep guards in place** and in working order. Never operate the tool with any guard or cover removed. Make sure all guards are operating properly before each use.
- **To reduce the risk of injury,** keep children and visitors away. All visitors should wear safety glasses and be kept a safe distance from work area.
- **Keep the area of operation clear of all persons,** particularly small children, and pets.
- **Use right tool.** Don't force tool or attachment to do a job it was not designed for. Don't use it for a purpose not intended. Use of the tool for operations different from those intended could result in a hazardous situation.
- **Dress properly.** Wear long pants and long sleeves. Do not wear loose clothing, neckties, or jewelry. They can get caught and draw you into moving parts. Rubber gloves and nonskid footwear are recommended when working outdoors. Also wear protective hair covering to contain long hair.
- **Do not operate the equipment while barefoot or when wearing sandals or similar lightweight footwear.** Wear protective footwear that will protect your feet and improve your footing on slippery surfaces.
- **Exercise caution to avoid slipping or falling.**
- **Always wear eye protection with side shields or goggles marked to comply with ANSI Z87.1.** Failure to do so could result in fluids entering your eyes resulting in possible serious injury.
- **Don't overreach or stand on a ladder, rooftop, or other unstable support.** Keep proper footing and balance at all times.
- **Use only recommended accessories.** The use of improper accessories may cause risk of injury.
- **Follow the maintenance instructions specified in this manual.**
- **Check damaged parts.** Before further use of the tool, a guard or other part that is damaged should be carefully checked to determine that it will operate properly and perform its intended function. Check for alignment of moving parts, binding of moving parts, breakage of parts, mounting, and any other conditions that may affect its operation. A guard or other part that is damaged must be properly repaired or replaced by a qualified service center to avoid risk of personal injury.
- **Never leave tool running unattended. Turn power off and remove battery pack.** Don't leave tool until it comes to a complete stop.
- **Follow manufacturer's recommendations for safe loading, unloading, transport, and storage of machine.**
- **Be thoroughly familiar with controls.** Know how to stop the product and bleed pressure quickly.
- **Keep tool dry, clean, and free from oil and grease.** Always use a clean cloth when cleaning. Never use brake fluids, gasoline, petroleum-based products, or any solvents to clean tool.
- **Stay alert, watch what you are doing, and use common sense when operating a power tool. Do not use a power tool while you are tired or under the influence of drugs, alcohol or medication.** A moment of inattention while operating power tools may result in serious personal injury.
- **Check the work area before each use.** Remove all objects such as rocks, broken glass, nails, wire, or string which can be thrown or become entangled in the machine.
- **Do not use tool if switch does not turn it off.** Have switch replaced by a qualified service center.
- **Before cleaning, repairing, or inspecting,** shut off the motor and make certain all moving parts have stopped. Remove the battery pack to prevent accidental starting.
- **Avoid dangerous environment.** Keep work area well lit. Cluttered or dark areas invite accidents.
- **Never use in an explosive atmosphere.** Normal sparking of the motor could ignite fumes.
- **Do not operate while smoking or near an open flame.**
- **Do not operate around dry brush,** twigs, cloth rags, or other flammable materials.
- **WARNING:** Risk of injection or injury – Do not direct discharge stream at persons.
- **Do not allow bystanders or children in the area while operating this product.** Exposure to some chemicals can be hazardous.
- **Use personal protective equipment. Always wear eye protection with side shields or goggles and a dust mask.** Protect eyes, skin and lungs against drifting spray and during mixing, filling, and cleaning.
- **Store the product out of the reach of children and do not allow persons unfamiliar with the product or these instructions to operate the product.**
- **Use this product in accordance with these instructions and in the manner intended, taking into account the working conditions and the work to be performed.** Use of the product for operations different from those intended could result in a hazardous situation.

SPECIFIC SAFETY RULES

DANGER:

Risk of fire or explosion. Do not spray flammable liquids such as gasoline. Look for this symbol reference on the container.



WARNING:

Chemicals and chemical fumes can be hazardous and cause serious injury, permanent damage or death if ingested, inhaled or splashed in eyes or on skin.

WARNING:

Some spray created from products used with the sprayer contains chemicals known to the State of California to cause cancer, birth defects or other reproductive harm. Follow directions on containers of all such products. To reduce your exposure to these chemicals, wear approved safety equipment such as face masks that are specially designed to filter out sprays, gloves, and other appropriate protective equipment.

WARNING:

Do not allow conductive or corrosive fluids to get inside the battery pack. If conductive or corrosive fluids are spilled on the battery, refer to the instructions in your battery operators manual.

CAUTION:

Keep all body parts out of the spray pattern.

- **Never point the power cleaner in the direction of people, pets, or any electrical device.**
- **Before starting any cleaning operation,** close doors and windows. Clear the area to be cleaned of debris, toys, outdoor furniture, or other objects that could create a hazard.
- **Never attempt to use the power cleaner** if ice has formed in any part of the equipment. Always store indoors to prevent from freezing.
- **Do not use acids, alkalines, solvents, flammable material, or industrial grade solutions** in this product. These products can cause physical injuries to the operator and irreversible damage to the machine.
- **WARNING: High pressure jets can be dangerous if subject to misuse.** The jet must not be directed at persons, animals, electrical devices, or the machine itself.
- **Hold the power cleaner securely with both hands.** Expect the trigger handle to move when the trigger is pulled

due to reaction forces. Failure to do so could cause loss of control and injury to yourself and others.

- **Never attempt to make any adjustments while the motor is running** (except where specifically recommended by the manufacturer).
- **Protective covers must always cover rotating parts when the motor is running.**
- **Check bolts and nuts** for looseness before each use. A loose bolt or nut may cause serious motor problems.
- **When servicing use only recommended or equivalent replacement parts.** Use of any other parts may create a hazard or cause product damage.
- **ONLY use cold or warm water.** Never use water more than 110°F.
- **Never spray close to the surface** to be cleaned as you can damage the surface.
- **Never use water or any liquids to clean or rinse off your product and do not expose the product to rain. Store indoors in a dry area.** Corrosive liquids, water, and chemicals can enter the product's electronic components and/or battery compartment and damage electronic components and/or the battery pack, which can result in a short circuit, increased risk of fire, and serious personal injury. Remove any buildup of dirt and debris by wiping the product clean with a dry cloth occasionally.
- **Before using any sanitizer or other spray materials in this sprayer, read the label on its original container thoroughly and follow its directions.** Some spray materials are dangerous and should not be used in this sprayer, as they can damage the sprayer and cause serious bodily injury or property damage.
- **Do not spray hot or boiling liquids.** These can weaken or damage the tool.
- **Spray area must be well ventilated.**
- **Avoid spraying on windy days.** Spray can be accidentally blown onto plants or objects that should not be sprayed.
- **Store the sprayer in a secure, well-ventilated indoor space with all accessory containers empty.**
- **Do not use alcohol based chemicals.**
- **Do not use powders or abrasive chemicals.**
- **Do not use commercial grade chemicals or chemicals for commercial or industrial purposes.** Use only consumer grade water-based cleaning and sanitizing chemicals.
- **Do not combine chemicals.**
- If this product is used for herbicide/insecticide applications do not re-purpose it for use with disinfectants. Obtain a second nozzle set and tool for dedicated use with disinfectants only. Tools used for herbicide/insecticide applications are regulated under EPA Federal Insecticide, Fungicide, and Rodenticide Act regulations and are considered contaminated.

SPECIFIC SAFETY RULES

- **Know the contents of the chemical being sprayed. Read all Safety Data Sheets (SDS) and container labels provided with the chemical.** Follow the chemical manufacturer's safety instructions. It is a violation of federal law to use an EPA-approved disinfectant in a manner inconsistent with its labeling.
- **Do not leave residue or spray material in the tool, its accessories, or containers after using the sprayer.** Clean after each use.
- **Maintain this product. Thoroughly inspect both the inside and outside of the sprayer and examine the components before each use. Check for cracked and deteriorated tanks, leaks, clogged nozzles, and missing or damaged parts. If damaged, have the product repaired before use.** Many accidents are caused by poorly maintained products.
- **Disconnect the battery from the unit before draining, cleaning, or storing the sprayer.** Such preventive safety measures reduce the risk of accidental starting.
- **Always wear eye protection with side shields or goggles marked to comply with ANSI Z87.1.** Failure to do so could result in fluids entering your eyes resulting in possible serious injury.
- **Protect your lungs. Wear a face or dust mask when using the sprayer.** Following this rule will reduce the risk of serious personal injury.
- **Keep handles and grasping surfaces dry, clean and free from oil and grease.** Slippery handles and grasping surfaces do not allow for safe handling and control of the tool in unexpected situations.
- **Battery tools do not have to be plugged into an electrical outlet; therefore, they are always in operating condition. Be aware of possible hazards when not using your battery tool or when changing accessories. Remove battery pack when tool is not in use.** Following this rule will reduce the risk of electric shock, fire, or serious personal injury.
- **For outdoor use only.**




SAVE THESE INSTRUCTIONS

SPECIFIC RULES FOR BATTERY OPERATION












- **Do not use battery-operated appliance in rain.**
- **Remove or disconnect battery before servicing, cleaning or removing material from the tool.**
- **Use this product only with batteries and chargers listed in tool/appliance/battery pack/charger correlation supplement 987000-432.**
- **Store idle appliances** – When not in use, tool should be stored indoors in a dry, locked place out of the reach of children.
- **Prevent unintentional starting.** Ensure the switch is in the off-position before connecting to battery pack, picking up, or carrying the appliance. Carrying the appliance with your finger on the switch or energizing appliance that have the switch on invites accidents.
- **Disconnect the battery pack from the appliance before making any adjustments, changing accessories, or storing appliance.** Such preventive safety measures reduce the risk of starting the appliance accidentally.
- **Under abusive conditions, liquid may be ejected from the battery; avoid contact.** If contact accidentally occurs, flush with water. If liquid contacts eyes, additionally seek medical help. Liquid ejected from the battery may cause irritation or burns.
- **Do not modify or attempt to repair the appliance or the battery pack except as indicated in the instructions for use and care.**
- **When battery pack is not in use, keep it away from other metal objects, like paper clips, coins, keys, nails, screws or other small metal objects, that can make a connection from one terminal to another.** Shorting the battery terminals together may cause burns or a fire.
- **Do not use a battery pack or appliance that is damaged or modified.** Damaged or modified batteries may exhibit unpredictable behavior resulting in fire, explosion or risk of injury.
- **Do not expose a battery pack or appliance to fire or excessive temperature.** Exposure to fire or temperature above 265°F may cause explosion.
- **Follow all charging instructions and do not charge the battery pack or appliance outside of the temperature range specified in the instructions.** Charging improperly or at temperatures outside of the specified range may damage the battery and increase the risk of fire.
- **Have servicing performed by a qualified repair person using only identical replacement parts.** This will ensure that the safety of the product is maintained.
- **Do not dispose of the batteries in a fire. The cell may explode.** Check with local codes for possible special disposal instructions.
- **Do not open or mutilate the batteries.** Released electrolyte is corrosive and may cause damage to the eyes or skin. It may be toxic if swallowed.
- **Do not place battery tools or their batteries near fire or heat.** This will reduce the risk of explosion and possibly injury.
- **Batteries can explode in the presence of a source of ignition, such as a pilot light.** To reduce the risk of serious personal injury, never use any cordless product in the presence of open flame. An exploded battery can propel debris and chemicals. If exposed, flush with water immediately.
- **Do not crush, drop or damage battery pack. Do not use a battery pack or charger that has been dropped or received a sharp blow.** A damaged battery is subject to explosion. Properly dispose of a dropped or damaged battery immediately.
- **Exercise care in handling batteries in order not to short the battery with conducting materials such as rings, bracelets, and keys.** The battery or conductor may overheat and cause burns.
- **Under extreme usage or temperature conditions, battery leakage may occur.** If liquid comes in contact with your skin, wash immediately with soap and water. If liquid gets into your eyes, flush them with clean water for at least 10 minutes, then seek immediate medical attention. Following this rule will reduce the risk of serious personal injury.
- **Do not charge battery tool in a damp or wet location.** Following this rule will reduce the risk of electric shock.
- **Never service damaged battery packs.** Service of battery packs should only be performed by the manufacturer or authorized service providers.
- **Save these instructions.** Refer to them frequently and use them to instruct others who may use this power tool. If you loan someone this power tool, loan them these instructions also.

SYMBOLS

The following signal words and meanings are intended to explain the levels of risk associated with this product.

SYMBOL	SIGNAL	MEANING
	DANGER:	Indicates a hazardous situation, which, if not avoided, will result in death or serious injury.
	WARNING:	Indicates a hazardous situation, which, if not avoided, could result in death or serious injury.
	CAUTION:	Indicates a hazardous situation, that, if not avoided, may result in minor or moderate injury.
	NOTICE:	(Without Safety Alert Symbol) Indicates information considered important, but not related to a potential injury (e.g. messages relating to property damage).

Some of the following symbols may be used on this product. Please study them and learn their meaning. Proper interpretation of these symbols will allow you to operate the product better and safer.

SYMBOL	NAME	DESIGNATION/EXPLANATION
	Safety Alert	Indicates a potential personal injury hazard.
	Read Operator's Manual	To reduce the risk of injury, user must read and understand operator's manual before using this product.
	Eye & Breathing Protection	Always wear eye protection with side shields marked to comply with ANSI Z87.1 along with breathing protection.
	Keep Bystanders Away	Keep all bystanders at least 50 ft. away.
	Slippery Surface	Exercise caution to avoid slipping or falling.
	Wet Conditions Alert	Risk of fire and burns. Do not expose battery, battery compartment, or electronic components to rain, water, or liquids. Close cover during use.
	Risk of Injection	To reduce the risk of injection or injury, never direct a water stream towards people or pets or place any body part in the stream. Leaking hoses and fittings are also capable of causing injection injury. Do not hold hoses or fittings.
	Risk of Explosion	Do not spray flammable liquids. Flammable liquids and their vapors are explosive and can cause severe burns or death.
	Kickback	To reduce the risk of injury from kickback, hold the spray wand securely with both hands when the machine is on.
	Electric Shock	Do not use near electric power lines or receptacle outlets.
	Chemical Burns	To reduce the risk of injury or damage, DO NOT USE ACIDS, ALKALINES, BLEACHES, SOLVENTS, FLAMMABLE MATERIAL, OR INDUSTRIAL GRADE SOLUTIONS in this product.
V	Volts	Voltage
n_0	No Load Speed	Rotational speed, at no load
.../min	Per Minute	Revolutions, strokes, surface speed, orbits etc., per minute

FEATURES

PRODUCT SPECIFICATIONS

Motor	18 V DC
Maximum Pounds Per Square Inch*	600 PSI
Maximum Gallons Per Minute	0.7 GPM

KNOW YOUR EZ CLEAN POWER CLEANER

See Figure 1.

The safe use of this product requires an understanding of the information on the product and in this operator's manual as well as a knowledge of the project you are attempting. Before use of this product, familiarize yourself with all operating features and safety rules.

MODE CONTROL SELECTOR

Allows adjustments of the pressure and water flow to fit the requirements of your cleaning job. Change the water flow from 0.2 to 0.7 GPM with the push of a button.

SIPHON HOSE

The siphon hose with filter gives the user complete portability to pull water from any water source like a pool or a 5 gal. bucket of water. It can also be attached to a garden hose for a continuous water supply.

POWER SAVING SYSTEM

The power cleaner is equipped with a power-saving feature that allows the motor to stop whenever the trigger is released.

TRIGGER HANDLE

The trigger handle has a gripping surface that provides added control of the spray wand and helps reduce fatigue.

TRIGGER WITH LOCK-OUT

Pulling the trigger releases a stream of water for high pressure cleaning. The lock-out provides protection against unauthorized use.

ASSEMBLY

UNPACKING

This product requires assembly.

- Carefully remove the product and any accessories from the box. Make sure that all items listed in the **Packing List** are included.

WARNING:

Do not use this product if any parts in the **Packing List** are already assembled to your product when you unpack it. Parts on this list are not assembled to the product by the manufacturer and require customer installation. Use of a product that may have been improperly assembled could result in serious personal injury.

- Inspect the product carefully to make sure no breakage or damage occurred during shipping.
- Do not discard the packing material until you have carefully inspected and satisfactorily operated the product.

- If any parts are damaged or missing, please call 1-800-525-2579 for assistance.

PACKING LIST

18 Volt Power Cleaner
20 ft. Quick Connect Siphon Hose w/Filter
Spray Wand
3-in-1 Nozzle (15°, Turbo, Rinse)
Quick Connector
Mesh Bag
Operator's Manual

WARNING:

If any parts are damaged or missing do not operate this product until the parts are replaced. Use of this product with damaged or missing parts could result in serious personal injury.

ASSEMBLY

WARNING:

Do not attempt to modify this product or create accessories not recommended for use with this product. Any such alteration or modification is misuse and could result in a hazardous condition leading to possible serious personal injury.

WARNING:

To prevent accidental starting that could cause serious personal injury, always remove the battery pack from the product when assembling parts

CONNECTING THE SPRAY WAND TO THE POWER CLEANER

See Figure 2.

- Align the arrows and insert the end of the spray wand into the power cleaner and push it until it clicks into place.
- Pull on the spray wand to be certain it is properly secured.
- To remove, press the button on the power cleaner and pull to remove the spray wand.

CONNECTING THE 3-IN-1 NOZZLE TO THE SPRAY WAND

See Figure 3.

- Align the arrows and insert the end of the 3-in-1 nozzle into the spray wand and push it until it clicks into place.
- Pull on the 3-in-1 nozzle to be certain it is properly secured.
- To remove, press the button on the wand and pull to remove the 3-in-1 nozzle.

CONNECTING THE SIPHON HOSE TO THE POWER CLEANER

See Figure 4.

The siphon hose can be submerged directly into any fresh water source like a lake, pool, or a 5 gal. bucket for maximum portability

- Completely uncoil and straighten the siphon hose to prevent kinks.
- Align the quick connect collar on the siphon hose to the water inlet on the power cleaner.
- Push the collar onto the water inlet until it clicks securely into place.
- Pull on the hose to be certain it is properly secured.

CONNECTING A GARDEN HOSE TO THE POWER CLEANER

See Figure 5.

The power cleaner can be attached to a garden hose by using one of the following methods.

NOTICE:

Always observe all local regulations when connecting hoses to the water main. Some areas have restrictions against connecting directly to public drinking water supply to prevent the feedback of chemicals into the drinking water supply. Direct connection through a receiver tank or backflow preventer is usually permitted.

NEVER use hot water. Before connecting a garden hose to the power cleaner:

- Run water through the hose for 30 seconds to clean any debris from the hose.

To connect a garden hose to the siphon hose:

- Completely uncoil the garden hose or remove completely from reel to prevent kinks.

NOTE: There must be a minimum of 10 feet of unrestricted hose between the power cleaner intake and the hose faucet or shut off valve (such as a “Y” shut off connector).

- Unscrew and remove the filter from the end of the siphon hose. Store filter for later use.
- With the hose faucet turned completely off, attach the end of the garden hose to the siphon hose water intake. Tighten by hand.

To connect a garden hose to the power cleaner:

- Completely uncoil the garden hose or remove completely from reel to prevent kinks.

NOTE: There must be a minimum of 10 feet of unrestricted hose between the power cleaner intake and the hose faucet or shut off valve (such as a “Y” shut off connector).

- Thread the quick connector onto the end of the garden hose.
- Attach the quick connector to the water inlet on the power cleaner.

NOTICE:

Do not run the power cleaner without water supply connected and turned on, as this may damage the high pressure seals and decrease pump life. Completely unwind the hose from its reel or coil and make sure the hose is not being restricted by tires, rocks, or any other objects that may lessen or prevent water flow to the power cleaner.

OPERATION

WARNING:

Do not allow familiarity with this product to make you careless. Remember that a careless fraction of a second is sufficient to inflict serious injury.

WARNING:

Always wear eye protection with side shields or goggles marked to comply with ANSI Z87.1. Failure to do so could result in fluids entering your eyes resulting in possible serious injury.

WARNING:

Do not use any attachments or accessories not recommended by the manufacturer of this product. The use of attachments or accessories not recommended can result in serious personal injury.

WARNING:

Never direct a water stream toward people or pets, or any electrical device. Failure to follow these instructions could result in serious injury, electric shock, or death.

WARNING:

Use safety equipment. Protect your eyes, skin, and lungs while mixing, filling, spraying, and cleaning. Failure to do so may result in serious personal injury and damage to property.

WARNING:

Always follow the chemical manufacturer's instructions printed on their product labeling for use, cleaning, and storage. Clean thoroughly after each use, following the instructions in the *Maintenance* section of this manual. Chemicals should be stored out of the reach of children. Failure to do so may result in serious personal injury. Do not combine chemicals.

WARNING:

If this product is used for herbicide/insecticide applications do not re-purpose it for use with disinfectants. Obtain a second nozzle set and tool for dedicated use with disinfectants only. Tools used for herbicide/insecticide applications are regulated under EPA Federal Insecticide, Fungicide, and Rodenticide Act regulations and are considered contaminated.

WARNING:

Do not allow conductive or corrosive fluids to get inside the battery pack. If conductive or corrosive fluids are spilled on the battery, refer to the instructions in your battery operators manual.

NOTICE:

Before each use, inspect the entire product for damaged, missing, or loose parts such as screws, nuts, bolts, caps, etc. Tighten securely all fasteners and caps and do not operate this product until all missing or damaged parts are replaced. Please contact customer service or an authorized service center for assistance.

APPLICATIONS

You may use this product for the purpose of cleaning objects like the examples listed below:

- Patio furniture, windows, automobiles, boats, or RVs

INSTALLING/REMOVING BATTERY PACK

See Figures 6 - 7.

WARNING:

Always remove battery pack from your tool when you are assembling parts, making adjustments, cleaning, or when not in use. Removing battery pack will prevent accidental starting that could cause serious personal injury.

To install:

- Open the battery cover by releasing the latch and opening the cover.
- Insert the battery pack into the product as shown.
- Make sure the latches on each side of the battery pack snap into place and the battery pack is secured in the product before beginning operation.
- Close the battery cover and fasten the latch to secure the cover.

WARNING:

Do not use the power cleaner unless the battery cover is fully closed and latched. NEVER allow water or chemicals to enter the battery compartment.

To remove:

- Unlock and open the battery cover.
- Depress the latches to remove the battery pack.
- Close and secure the battery cover.

OPERATION

⚠ WARNING:

Battery tools are always in operating condition. Therefore, switch should always be locked with hands free of the lock-out button when not in use. Remove battery pack when transporting or carrying the tool to avoid accidental starting, which may result in serious injury.

For complete charging instructions, see the operator's manuals for your battery pack and charger.

STARTING AND STOPPING THE POWER CLEANER

See Figure 8.

⚠ DANGER:

Improper application of cleaning solution can result in SEVERE INJURY or DEATH. Follow CDC and EPA guidelines for cleaning.

⚠ WARNING:

Risk of fire or explosion. Spray area must be well-ventilated and away from sparks or flames.

⚠ WARNING:

Hold the power cleaner securely with both hands. Expect the power cleaner to move when the trigger is pulled due to reaction forces. Failure to do so could cause loss of control and injury to yourself and others.

NOTE: Never place or immerse the unit in standing water.

To start:

- Connect the garden hose or submerge filtered end of siphon hose into water source.
- Install the battery pack.
- Place the lock-out button in the unlocked position.
- Squeeze and hold the trigger to operate.

Start with the nozzle 1–2 ft. away from the cleaning surface and carefully approach the surface just until the desired level of cleaning is achieved. If the spray is too close it can damage the cleaning surface.

To stop:

- Release the trigger to stop the flow of water through the nozzle.
- Place the lock-out button in the locked position.
- Remove the battery pack.

MODE CONTROL SELECTOR

See Figure 9.

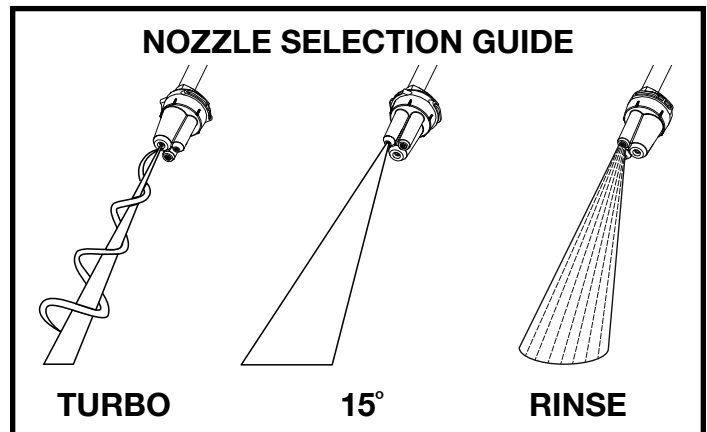
Allows adjustments of the pressure and water flow to fit the requirements of your cleaning job. Adjust the water flow from 0.2 to 0.7 GPM with a press of a button.

- Press the button to change the setting.
- The LED will toggle from low, to medium, to high, back to low with each press of the button.

SELECTING THE RIGHT NOZZLE FOR THE JOB

See Figure 10.

Each of the nozzles has a different spray pattern. Before starting any cleaning job, determine the best nozzle for the job. Refer to the **Nozzle Selection Guide** for more information. Rotate the nozzle until the desired position is selected.



RINSING WITH THE POWER CLEANER

See Figure 11.

- Turn off the power cleaner and shut off the water supply.
- Engage the lock out on the trigger by moving the lock-out button to the locked position.
- Rotate the 3-in-1 nozzle to the desired position of the three nozzles.
- Select the right nozzle for the job. See the chart shown earlier in the manual to select the appropriate nozzle.
- Start at the top of the area to be rinsed and work down, overlapping the strokes.

MAINTENANCE

WARNING:

To avoid serious personal injury, always remove the battery pack from the product before inspecting, cleaning or performing any maintenance.

WARNING:

Always wear eye protection with side shields or goggles marked to comply with ANSI Z87.1. Failure to do so could result in fluids entering your eyes resulting in possible serious injury.

WARNING:

When servicing, use only identical replacement parts. Use of any other parts could create a hazard or cause product damage.

WARNING:

Never use water or any liquids to clean or rinse off your product and do not expose the product to rain. Store indoors in a dry area. Corrosive liquids, water, and chemicals can enter the product's electronic components and/or battery compartment and damage electronic components and/or the battery pack, which can result in a short circuit, increased risk of fire, and serious personal injury. Remove any buildup of dirt and debris by wiping the product clean with a dry cloth occasionally.

WARNING:

Always store and dispose of chemicals properly. Disposal of contaminated rinse water should be performed according to local ordinances and bylaws.

NOTICE:

Periodically inspect the entire product for damaged, missing, or loose parts such as screws, nuts, bolts, caps, etc. Tighten securely all fasteners and caps and do not operate this product until all missing or damaged parts are replaced. Please contact customer service or an authorized service center for assistance.

GENERAL MAINTENANCE

Avoid using solvents when cleaning plastic parts. Most plastics are susceptible to damage from various types of commercial solvents and may be damaged by their use. Use clean cloths to remove dirt, dust, oil, grease, etc.

WARNING:

Do not at any time let brake fluids, gasoline, petroleum-based products, penetrating oils, etc., come in contact with plastic parts. Chemicals can damage, weaken or destroy plastic which could result in serious personal injury.

PUMP LUBRICATION

The pump on this unit is lubricated with a sufficient amount of high grade lubricant for the life of the unit under normal operating conditions. Therefore, no further lubrication is required.

STORING THE POWER CLEANER

Store in a dry, covered area where the weather can't damage it. It is important to store this product in a frost-free area. Always empty water from all hoses, and the pump, before storing.

- Remove the battery and store in a secure location out of the reach of children.
- Disconnect all hoses. Before removing the battery, press the switch to allow all water to drain from the power cleaner.
- Neatly coil the siphon hose and store with power cleaner.
- Press the button on the power cleaner and pull to remove the spray wand. Store the unassembled spray wand and nozzle with the cleaner.
- Store the unit and accessories in an area that does not reach freezing temperatures. Do not store near furnace or other sources of heat that could dry out the pump seals.

INSTRUCTIONS IMPORTANTES CONCERNANT LA SÉCURITÉ



AVERTISSEMENT :

Lire tous les avertissements et toutes les instructions.

Ne pas suivre l'ensemble des avertissements et des instructions peut entraîner une électrocution, un incendie ou des blessures graves.

LIRE TOUTES LES INSTRUCTIONS

- **Apprendre à connaître l'outil.** Lire attentivement le manuel d'utilisation. Apprendre les applications et les limites de l'outil, ainsi que les risques spécifiques relatifs à son utilisation.
- **Maintenir tous les dispositifs de protection en place** et en bon état de fonctionnement. Ne jamais utiliser l'outil avec des couvercles ou dispositifs de protection retirés. S'assurer que tous les dispositifs de protection fonctionnent correctement avant chaque utilisation.
- **Pour réduire les risques de blessures**, garder les enfants et visiteurs à l'écart. Tous les visiteurs doivent porter des lunettes de sécurité et se tenir à bonne distance de la zone de travail.
- **Ne laisser personne approcher la zone de travail**, particulièrement les petits enfants et les animaux domestiques.
- **Utiliser l'outil approprié.** Ne pas utiliser l'outil ou un accessoire pour effectuer un travail pour lequel il n'est pas conçu. Ne pas utiliser l'outil pour une application non prévue. L'usage d'un outil motorisé pour des applications pour lesquelles il n'est pas conçu peut être dangereux.
- **Porter une tenue appropriée.** Porter des pantalons longs et manches longues. Ne pas porter de vêtements amples, cravate ou bijoux. Ces articles pourraient être happés et tirer la main ou une partie du corps dans les pièces en mouvement. Des gants en caoutchouc et des chaussures antidérapantes sont recommandées pour le travail à l'extérieur. Les cheveux longs doivent être ramassés sous un couvre-chef.
- **Ne pas faire fonctionner l'équipement pied-nu ou en portant des sandales ou des chaussures légères similaires.** Porter des chaussures de sécurité protégeant les pieds et améliorant l'équilibre sur des surfaces glissantes.
- **Faire preuve de prudence pour éviter de glisser ou tomber.**
- **Toujours porter des lunettes de protection dotées d'écrans latéraux ou des lunettes à coques conformes à la norme Z87.1 de l'ANSI.** Le non respect de cette règle peut faire en sorte que des liquides soient projetés dans vos yeux, ce qui peut entraîner des blessures graves.
- **Ne pas travailler hors de portée ou se tenir sur une échelle, un échafaudage, un toit ou un surface instable.** Toujours se tenir bien campé et en équilibre.
- **N'utiliser que les accessoires recommandés.** L'emploi de tout accessoire inadapté peut présenter un risque de blessure.
- **Suivre les instructions d'entretien spécifiées dans ce manuel.**
- **Vérifier l'état des pièces.** Avant d'utiliser l'outil de nouveau examiner soigneusement les pièces et dispositifs de protection qui semblent endommagés afin de déterminer s'ils fonctionnent correctement et s'ils remplissent les fonctions prévues. Vérifier l'alignement des pièces mobiles, s'assurer qu'aucune pièce n'est bloquée ou cassée, vérifier la fixation de chaque pièce et s'assurer qu'aucun autre problème ne risque d'affecter le bon fonctionnement de l'outil. Pour éviter les risques de blessures, toute protection ou pièce endommagée doit être correctement réparée ou remplacée dans un centre de réparations qualifié.
- **Ne jamais laisser un outil en fonctionnement sans surveillance. Arrêter outil et retirer le bloc-piles.** Ne pas s'éloigner de l'outil avant qu'il soit parvenu à un arrêt complet.
- **Suivre les recommandations du fabricant pour assurer la sécurité de chargement, déchargement, transport et remisage de la machine.**
- **Se familiariser complètement avec les commandes.** Veiller à savoir arrêter la machine et relâcher la pression rapidement.
- **Garder l'outil sec, propre et exempt d'huile ou de graisse.** Toujours utiliser un chiffon propre pour le nettoyage. Ne jamais utiliser de liquide de freins, d'essence ou de produits à base de pétrole pour nettoyer l'outil.
- **Rester attentif, prêter attention au travail et faire preuve de bon sens lors de l'utilisation de tout outil électrique. Ne pas utiliser cet outil en état de fatigue ou sous l'influence de l'alcool, de drogues ou de médicaments.** Un moment d'inattention pendant l'utilisation d'un outil électrique peut entraîner des blessures graves.
- **Ne pas utiliser cet outil sous l'influence de l'alcool, de drogues ou de médicaments.**
- **Examiner la zone de travail avant chaque utilisation.** La débarrasser de tous les objets tels que cailloux, verre brisé, clous, fils métalliques, cordes, etc. risquant d'être projetés ou de se prendre dans la machine.
- **Ne pas utiliser l'outil si le commutateur ne permet pas de l'arrêter.** Faire remplacer le commutateur dans un centre de réparations qualifié.
- **Avant de nettoyer, réparer ou inspecter**, couper le moteur et vérifier que toutes les pièces en mouvement sont arrêtées. Retirer le bloc-piles afin d'empêcher un démarrage accidentel.
- **Éviter les environnements dangereux.** Garder le lieu de travail bien éclairé. Les endroits encombrés ou sombres sont propices aux accidents.

INSTRUCTIONS IMPORTANTES CONCERNANT LA SÉCURITÉ

- **Ne jamais utiliser dans une atmosphère explosive.** Les étincelles normalement produites par le moteur pourraient enflammer les vapeurs.
- **Ne jamais utiliser en fumant ou à côté d'une flamme vive.**
- **Ne pas utiliser à proximité de** buissons secs, brindilles, chiffons ou autres matériaux inflammables.
- **AVERTISSEMENT : Risque d'injection ou de blessures** – ne pas diriger le jet directement vers quelqu'un.
- **Éloigner les spectateurs et les enfants de la zone pendant l'utilisation de ce produit.** L'exposition à quelques produits chimiques représente un risque.
- **Porter l'équipement de protection individuel requis.** Toujours porter une protection oculaire munie d'écrans latéraux ou des lunettes et un masque antipoussière. Protégez les yeux, la peau et les poumons contre les vapeurs en derive et pendant le mélange, le remplissage et le nettoyage du produit.
- **Entreposez le produit loin de la portée des enfants et ne permettez pas à des personnes qui ne se sont pas familiarisés avec le produits ou ces instructions d'utiliser le produit.**
- **Utilisez ce produit conformément à ces instructions et tel que prévu en prenant compte des conditions de travail et de la tâche à effectuer.** L'utilisation du produit à des fins différents de ceux qui ont été prévus pourrait mener à une situation dangereuse.

RÈGLES DE SÉCURITÉ PARTICULIÈRES

DANGER :

Risque d'incendie ou d'explosion. Ne pulvériser pas de liquides inflammables tels que l'essence. Cherchez ce symbole de référence sur le contenant.



AVERTISSEMENT :

Les produits chimiques ou les vapeurs chimiques peuvent être dangereux et provoquer des blessures graves, des dommages permanents ou la mort, s'ils sont ingérés, inhalés ou éclaboussés dans les yeux ou sur la peau.

AVERTISSEMENT :

Certains vapeurs des produits utilisés avec ce pulvérisateur contiennent des produits chimiques connus par l'Etat de Californie pour provoquer le cancer, des défauts de naissance ou autres dommages de reproduction. Suivez les instructions sur les contenants de tous ces produits. Pour réduire l'exposition à ces produits chimiques, portez des vêtements de sécurité approuvés tels que les masques faciaux spécialement conçus pour filtrer les vapeurs, les gants et d'autre équipement de protection.

AVERTISSEMENT :

Ne pas laisser des liquides hautement conducteurs ou corrosifs s'infiltrer dans le bloc-piles. Si vous renversez des liquides conducteurs ou corrosifs sur la pile, se référer aux instructions dans le manuel d'utilisation de la pile.

ATTENTION :

Tenir toutes les parties du corps à l'écart de la configuration de pulvérisation.

- **Ne jamais orienter le nettoyeur électrique sur les personnes, les animaux ou les appareils électriques.**
- **Avant de commencer toute opération de nettoyage,** fermer les portes et fenêtres. Débarrasser la zone à nettoyer de débris, jouets, meuble de jardin ou autres objets pouvant créer un danger.
- **Ne jamais essayer d'utiliser la nettoyeuse électrique** si de la glace s'est formée dans une partie de l'équipement. Toujours ranger à l'intérieur pour éviter le gel.
- **Ne pas utiliser de produits acides ou alcalins, de solvants, de matières inflammables ou de solutions de qualité industrielle** dans ce produit. Ces produits peuvent causer des blessures de l'opérateur et des dommages irréversibles de l'équipement.
- **AVERTISSEMENT : Les jets à haute pression peuvent être dangereux s'ils sont utilisés incorrectement.** Le jet ne doit pas être dirigé vers des personnes, animaux, dispositifs électriques ou l'équipement lui-même.
- **Tenir la poignée à gâchette fermement des deux mains.** L'utilisateur doit s'attendre à ce qu'en raison de la force de réaction, la poignée bouge lorsqu'il appuie sur la gâchette. Ne pas tenir compte de ce fait peut entraîner une perte de contrôle et entraîner des blessures pour lui et son entourage.
- **Ne jamais essayer de faire des réglages pendant que le moteur tourne** (sauf en cas de recommandations spécifiques du fabricant).

RÈGLES DE SÉCURITÉ PARTICULIÈRES

- **Les dispositifs de protection doivent toujours couvrir des pièces en rotation quand le moteur tourne.**
- **Vérifier le serrage de la boulonnerie** avant chaque utilisation. Un boulon ou écrou desserré peut causer de sérieux problèmes de moteur.
- **Utiliser exclusivement des pièces recommandées ou équivalentes à celles d'origine pour les réparations.** L'usage de toute autre pièce pourrait créer une situation dangereuse ou endommager l'outil.
- **Utiliser UNIQUEMENT de l'eau froide ou tiède.** Ne jamais utiliser d'eau à plus de 43,3 °C (110 °F).
- **Ne jamais la pulvérisation proche à la surface** être nettoyée comme vous pouvez endommager la surface.
- **Ne jamais utiliser de l'eau ou une autre liquide pour nettoyer ou rincer la produit et n'exposez pas à la pluie. La remiser à l'intérieur dans un endroit sec.** Les liquides corrosifs, l'eau et les produits chimiques peuvent s'infiltrer dans le composants électroniques et/ou le compartiment de la pile et endommager les composants électroniques et/ou le bloc-pile, ce qui peut entraîner un court-circuit, augmenter le risque d'incendie ou des blessures corporelles graves. Enlever toute accumulation de la saleté et les débris sur la produit de temps en temps avec un linge sec.
- **Avant d'utiliser des désinfectant ou d'autres bouillies dans ce pulvérisateur, lisez attentivement l'étiquette du contenant original et suivez les instructions.** Certains mélanges de pulvérisation sont dangereux et ne devraient pas être utilisés avec ce pulvérisateur parce qu'ils peuvent endommager l'outil et causer des sérieuses blessures et des dommages matériels.
- **Ne pas pulvériser de liquides chauds ou bouillants.** Cela peut fragiliser ou endommager l'outil.
- **La zone de pulvérisation doit être bien ventilée.**
- **Évitez de pulvériser pendant des journées de vent.** Le mélange peut être accidentellement soufflé sur les plantes et les objets qui ne doivent pas être pulvérisés.
- **Ranger le pulvérisateur à l'intérieur, dans un endroit bien aéré et sécurisé, en s'assurant que tous les contenants à accessoires sont vides.**
- **Ne pas utiliser de produits chimiques à base d'alcool.**
- **Ne pas utiliser de poudres ou de produits chimiques abrasifs.**
- **Ne pas utiliser de produits chimiques de qualité commerciale ou de produits chimiques à des fins commerciales ou industrielles.** Utiliser des produits chimiques nettoyants et désinfectants à base d'eau qui destinés au grand public.
- **Ne pas mélanger les produits chimiques.**
- **Si ce produit est utilisé pour des applications d'herbicides ou d'insecticides, ne pas le réutiliser avec des désinfectants.** Se procurer une deuxième trousse de buses et d'outils pour une utilisation spécifique avec les désinfectants seulement. Les outils utilisés pour les applications d'herbicides ou d'insecticides sont réglementés par les règlements de la Federal Insecticide, Fungicide, and Rodenticide Act de l'EPA et sont considérés comme étant contaminés.
- **S'informer du contenu des produits chimiques pulvérisés.** Lire toutes les fiches de données de sécurité (FDS) et les étiquettes du contenant accompagnant le produit chimique.
- **Ne pas laisser de résidus ou de matériau de pulvérisation dans l'outil, ses accessoires ou ses contenants après avoir utilisé le pulvérisateur.** Nettoyez après chaque usage.
- **Entretenez ce produit. Inspectez attentivement l'intérieur et l'extérieur ainsi que les composants avant chaque usage. Vérifiez l'outil pour déceler les tuyaux fendus ou endommagés, les fuites, les gicleurs bouchés et les pièces manquantes ou endommagées. En cas de dommages, faites réparer le produit avant l'utilisation.** Plusieurs accidents sont causés par des produits mal entretenus.
- **Déconnectez la batterie de l'unité avant de vider, nettoyer ou entreposer le pulvérisateur.** e telles mesures de prévention réduisent le risque d'une mise en marche accidentelle.
- **Toujours porter des lunettes de protection dotées d'écrans latéraux ou des lunettes à coques conformes à la norme Z87.1 de l'ANSI.** Le non respect de cette règle peut faire en sorte que des liquides soient projetés dans vos yeux, ce qui peut entraîner des blessures graves.
- **Protection respiratoire.** Portez une masque faciale ou anti-poussières quand vous utilisez le pulvérisateur. Suivre cette règle permettra de réduire le risque de blessures graves.
- **Gardez les poignées et les surfaces de prise sèches, propres et exemptes d'huile et de graisse.** Des poignées et des surfaces de prise glissantes empêchent la manipulation et le contrôle sécuritaires de l'outil dans des circonstances imprévues.
- **Les outils fonctionnant sur batteries n'ayant pas besoin d'être branchés sur une prise secteur, ils sont toujours en état de fonctionnement. Tenir compte des dangers possibles lorsque l'outil n'est pas en usage et lors du remplacement des batteries. Retirer le bloc-piles dès la fin de l'utilisation de l'outil.** Le respect de cette règle réduira les risques d'incendie, de choc électrique et de blessures graves.
- **Pour l'utilisation à l'extérieur seulement.**




CONSERVER CES INSTRUCTIONS

RÈGLES PARTICULIÈRES CONCERNANT L'UTILISATION DE LA PILE











- **Ne pas utiliser un appareil alimenté par pile sous la pluie.**
- **Retirer ou débrancher la pile avant l'entretien ou le nettoyage de l'appareil ou avant d'en retirer des matériaux.**
- **Utiliser ce produit seulement avec les piles et les chargeurs indiqués dans le supplément de raccordement pour chargeur/outils/piles/appareil n° 987000-432.**
- **Ranger les appareils qui ne sont pas utilisés** – lorsque le appareil n'est pas utilisé, le ranger à l'intérieur dans un endroit sec et verrouillé hors de la portée des enfants.
- **Empêcher les démarrages accidentels.** S'assurer que la gâchette est en position d'arrêt avant de brancher l'outil à une source de courant, d'insérer la batterie, de le ramasser ou de le transporter. Le fait de transporter un outil électrique en gardant le doigt sur la gâchette ou de mettre sous tension un outil électrique lorsque la gâchette est en position de marche favorise les accidents.
- **Déconnecter le bloc de batteries avant d'effectuer des réglages, de changer d'accessoire ou de remiser l'outil.** Dichas medidas preventivas de seguridad reducen el riesgo de que el artefacto se encienda accidentalmente.
- **En cas d'usage abusif, du liquide peut s'échapper des.** Si le liquide pénètre dans vos yeux, il faut aussi consulter un médecin. Le liquide s'échappant des batteries peut causer des irritations ou des brûlures. Le liquide s'échappant des batteries peut causer des irritations ou des brûlures.
- **Ne modifiez pas ou n'essayez jamais de réparer l'appareil ou le bloc de batterie, sauf comme indiqué dans les instructions d'utilisation et d'entretien.**
- **Lorsque le bloc-piles n'est pas en usage, le garder à l'écart d'articles tels qu'attaches trombones, pièces de monnaie, clous, vis et autres petits objets métalliques risquant d'établir le contact entre les deux bornes.** La mise en court-circuit des bornes de piles peut causer des étincelles, des brûlures ou un incendie.
- **Ne pas utiliser un bloc-piles ou un appareil endommagé ou modifié.** Le bris ou la modification du bloc-piles peut causer un comportement imprévisible et causer un incendie, une explosion ou des blessures.
- **Ne pas exposer le bloc-piles ou l'appareil près d'un incendie ou à une température extrême.** Une exposition à un incendie ou à une température supérieure à 130 °C (265 °F) peut provoquer une explosion.
- **Suivre toutes les instructions afférentes à la recharge et ne pas recharger le bloc-piles ou l'appareil hors des températures spécifiées dans les instructions.** Une recharge incorrecte ou hors des températures spécifiées peut endommager la pile et augmenter les risques de feu.
- **Demander à un réparateur qualifié d'effectuer la réparation en utilisant des pièces de rechange identiques.** Ceci assurera la bonne sécurité du produit réparé.
- **Ne pas jeter les piles au feu. La cellule peut exploser.** Vérifier les codes locaux pour connaître toute instruction spéciale relative à l'élimination des piles.
- **Ne pas ouvrir ni endommager les piles.** L'électrolyte est un produit corrosif pouvant causer des lésions cutanées ou oculaires. Il peut être toxique en cas d'ingestion.
- **Ne pas placer les outils électriques sans fil ou leurs piles à proximité de flammes ou d'une source de chaleur.** Ceci réduira les risques d'explosion et de blessures.
- **Les piles peuvent exploser en présence d'une source d'allumage, telle qu'une veilleuse.** Pour réduire les risques de blessures graves, ne jamais utiliser un appareil sans fil, quel qu'il soit, en présence d'une flamme vive. En explosant, une pile peut projeter des débris et des produits chimiques. En cas d'exposition, rincer immédiatement les parties atteintes avec de l'eau.
- **Ne pas écraser, faire tomber ou endommager le bloc piles. Ne jamais utiliser un bloc piles ou un chargeur qui est tombé, a été écrasé, a reçu un choc violent ou a été endommagé de quelque façon que ce soit.** Une pile endommagée risque d'exploser. Éliminer immédiatement toute pile endommagée, selon une méthode appropriée.
- **Manipuler les piles avec soin pour éviter des courts circuits avec des objets conducteurs comme des anneaux, des bracelets et des clés.** La pile ou l'objet conducteur peuvent surchauffer et causer des brûlures.
- **Si l'appareil est utilisé de façon intensive ou sous des températures extrêmes, des fuites de pile peuvent se produire.** En cas de contact du liquide avec la peau, rincez immédiatement la partie atteinte avec de l'eau savonneuse. En cas d'éclaboussure dans les yeux, rincez-les à l'eau fraîche pendant au moins 10 minutes, puis contactez immédiatement un médecin. Le respect de cette consigne réduira les risques de blessures graves.
- **Ne pas recharger un outil fonctionnant sur batteries dans un endroit humide ou mouillé.** Le respect de cette règle réduira les risques de choc électrique.
- **Ne réparez jamais de blocs-piles endommagés.** Seuls le fabricant et les fournisseurs de service autorisés doivent effectuer la réparation ou l'entretien des blocs-piles.
- **Conserver ces instructions.** Les consulter fréquemment et les utiliser pour instruire les autres utilisateurs éventuels. Si cet produit est prêté, il doit être accompagné de ces instructions.

SYMBOLES

Les termes de mise en garde suivants et leur signification ont pour but d'expliquer le degré de risques associé à l'utilisation de ce produit.



SYMBOLE	SIGNAL	SIGNIFICATION
	DANGER :	Indique une situation dangereuse qui, si elle n'est pas évitée, aura pour conséquences des blessures graves, voire mortelles.
	AVERTISSEMENT :	Indique une situation dangereuse qui, si elle n'est pas évitée, aura pour conséquences des blessures graves ou mortelles.
	ATTENTION :	Indique une situation dangereuse qui, si elle n'est pas évitée, pourrait entraîner des blessures légères ou de gravité modérée.
	AVIS :	(Sans symbole d'alerte de sécurité) Indique les informations jugées importantes sans toutefois représenter un risque de blessure (ex. : messages concernant les dommages matériels).

Certains des symboles ci-dessous peuvent être présents sur le produit. Veiller à les étudier et à apprendre leur signification. Une interprétation correcte de ces symboles permettra d'utiliser le produit plus efficacement et de réduire les risques.

SYMBOLE	NOM	DÉSIGNATION / EXPLICATION
	Symbole d'alerte de sécurité	Indique un risque de blessure potentiel.
	Lire manuel d'utilisation	Pour réduire les risques de blessures, l'utilisateur doit lire et veiller à bien comprendre le manuel d'utilisation avant d'utiliser ce produit.
	Protection oculaire et respiration	Toujours porter une protection oculaire certifiée conforme à la norme ANSI Z87.1 ainsi qu'une protection respiration.
	Ne laisser personne s'approcher	Garder les badauds à une distance de 15 m (50 pi) minimum.
	Surface glissante	Faire preuve de prudence pour éviter de glisser ou tomber.
	Avertissement concernant l'humidité	Risque de feu et de brûlures. Ne pas exposer la pile, le compartiment de la pile, ou les composants électroniques à la pluie, l'eau ou d'autres liquides. Ne pas charger la pile ou exposer la produit à la pluie ou des endroits humides. Fermer le couvercle pendant l'utilisation.
	Risque d'injection	Pour réduire les risques d'injection ou de blessures, ne jamais diriger le jet directement vers des enfants ou animaux domestiques et ne placer aucune partie du corps sur la trajectoire du jet. Les fuites aux flexibles et raccords peuvent également entraîner des blessures. Ne pas tenir des flexibles ou raccords.
	Risque d'explosion	Ne pas vaporiser de liquides inflammables. Liquides inflammables et leurs vapeurs sont explosifs et peuvent entraîner des brûlures graves ou mortelles.
	Rebond	Pour réduire le risque de blessure suite à un rebond, tenir la lance fermement à deux mains lorsque la machine est en fonctionnement.
	Choc électrique	Ne pas utiliser à proximité de lignes électriques ou de prises de courant.

SYMBOLES

Certains des symboles ci-dessous peuvent être présents sur l'outil. Veiller à les étudier et à apprendre leur signification. Une interprétation correcte de ces symboles permettra d'utiliser l'outil plus efficacement et de réduire les risques.

SYMBOLE	NOM	DÉSIGNATION / EXPLICATION
	Brûlures chimiques	Pour réduire les risques de blessures ou de dommages matériels, NE PAS UTILISER DE PRODUITS ACIDES, ALCALINS OU JAVÉLISÉS, NI DE SUBSTANCES INFLAMMABLES OU DE SOLUTIONS DE QUALITÉ INDUSTRIELLE dans ce produit.
	Symbole de recyclage	Ce produit utilise les piles de lithium-ion (Li-ion). Les réglementations locales ou gouvernementales peuvent interdire de jeter les piles dans les ordures ménagères. Consulter les autorités locales compétentes pour les options de recyclage et/ou l'élimination.
V	Volts	Tension
n_0	Vitesse à vid	Vitesse de rotation à vide
.../min	Par minute	Tours, coups, vitesse périphérique, orbites, etc., par minute

CARACTÉRISTIQUES

FICHE TECHNIQUE

Moteur 18 V c.c.
 Pression maximum en livres par pouce carré* 600 PSI
 Débit maximum par minute 2,7 LPM (0,7 GPM)

CONNAISSEZ VOTRE NETTOYEUSE ÉLECTRIQUE EASY CLEAN

Voir la figure 1.

L'utilisation sûre de ce produit exige une compréhension des renseignements figurant sur l'outil et contenus dans le manuel d'utilisation, ainsi qu'une bonne connaissance du projet entrepris. Avant d'utiliser ce produit, se familiariser avec toutes ses caractéristiques et règles de sécurité.

SÉLECTEUR DU MODE DE CONTRÔLE

Permet d'ajuster la pression et le débit d'eau en fonction des exigences de votre travail de nettoyage. Changer le débit de l'eau de 0,8 à 2,7 LPM (0,2 à 0,7 GPM) en appuyant simplement sur un bouton.

TUYAU-SIPHON

Le tuyau-siphon avec filtre offre une portabilité complète à l'utilisateur lui permettant de tirer l'eau depuis n'importe quelle source comme une piscine ou un seau d'eau de 23 L (5 gal). Il peut également se fixer à un boyau d'arrosage pour un approvisionnement en eau continu.

SYSTÈME D'ÉCONOMIE D'ÉNERGIE

La nettoyeuse de puissance easy clean est dotée d'une caractéristique d'économie d'énergie, qui arrête le moteur dès que la gâchette sur la poignée de gâchette est relâchée. La DEL située sur le commutateur de marche/arrêt clignotera pour indiquer l'activation du système d'arrêt total.

POIGNÉE DE GÂCHETTE

La poignée de gâchette est dotée d'une surface de prise permettant de mieux la contrôler et de réduire la fatigue.

GÂCHETTE AVEC VERROUILLAGE

Appuyer sur la gâchette pour produire un jet d'eau à haute pression pour le nettoyage. Le verrouillage constitue une protection contre toute utilisation non autorisée.

ASSEMBLAGE

DÉBALLAGE

Ce produit doit être assemblé.

- Avec précaution, sortir le produit et les accessoires de la boîte. S'assurer que toutes les pièces figurant sur la **Liste d'expédition** sont incluses.

AVERTISSEMENT :

Ne pas utiliser le produit si, en le déballant, vous constatez que des éléments figurant dans la **Liste de contrôle d'expédition** sont déjà assemblés. Certaines pièces figurant sur cette liste n'ont pas été assemblées par le fabricant et exigent une installation. Le fait d'utiliser un produit qui a été assemblé de façon inadéquate peut entraîner des blessures.

- Examiner soigneusement le produit pour s'assurer que rien n'a été brisé ou endommagé en cours de transport.
- Ne pas jeter les matériaux d'emballage avant d'avoir soigneusement examiné le produit et avoir vérifié qu'il fonctionne correctement.
- Si des pièces sont manquantes ou endommagées, appeler le 1-800-525-2579.

LISTE DE CONTRÔLE D'EXPÉDITION

Nettoyeuse électrique de 18 V

Tuyau-siphon avec filtre à raccordement rapide de 6 m (20 pi)

Lance de pulvérisation

Buse 3 en 1 (15°, Turbo, Rincer)

Conector rápido

Sac-filet

Manuel d'utilisation

AVERTISSEMENT :

Si des pièces manquent ou sont endommagées, ne pas utiliser cet produit avant qu'elles aient été installées. Usar este producto con partes dañadas o faltantes puede causar lesiones serias al operador.

AVERTISSEMENT :

Ne pas essayer de modifier ce produit ou de créer des accessoires non recommandés pour ce produit. De telles altérations ou modifications sont considérées comme un usage abusif et peuvent créer des conditions dangereuses, risquant d'entraîner des blessures graves.

AVERTISSEMENT :

Ne insérer le bloc-piles avant de compléter l'assemblage. Le non respect de cet avertissement pourrait résulter en un démarrage accidentel et des blessures corporelles graves.

CONNEXION DU LANCE DE PULVÉRISATION SUR LA NETTOYEUSE DE PUISSANCE

Voir la figure 2.

- Aligner les flèches et insérer l'extrémité de la lance d'arrosage dans la nettoyeuse de puissance et la pousser jusqu'à ce qu'elle s'enclenche en place.
- Tirer sur la lance d'arrosage pour s'assurer qu'elle est bien fixée.
- Pour la retirer, appuyer sur le bouton de la nettoyeuse de puissance et tirer pour enlever la lance.

RACCORDEMENT DE LA BUSE 3-EN-1 À LA LANCE D'ARROSAGE

Voir la figure 3.

- Aligner les flèches et insérer l'extrémité de la buse 3-en-1 dans la lance d'arrosage et la pousser jusqu'à ce qu'elle s'enclenche en place.
- Tirer sur la buse 3-en-1 pour s'assurer qu'elle est bien fixée.
- Pour la retirer, appuyer sur le bouton de la lance et tirer pour enlever la buse 3-en-1.

RACCORDEMENT DU TUYAU-SIPHON AU LA NETTOYEUSE DE PUISSANCE

Voir la figure 4.

- Dérouler complètement et redresser le tuyau-siphon pour éviter les pincements.
- Inspecter le tamis dans l'arrivée d'eau.
- Si le tamis est endommagé, ne pas utiliser l'équipement avant d'avoir remplacé le tamis.
- Si le tamis est sale, le nettoyer avant de connecter le tuyau-siphon à l'équipement.
- Aligner le collier de raccordement rapide du tuyau-siphon avec l'arrivée d'eau sur le nettoyant pour véhicule.
- Pousser le collier sur la sortie jusqu'à ce qu'il s'enclenche fermement en place.
- Tirer sur le tuyau pour s'assurer qu'il est solidement assujéti.

BRANCHER LE TUYAU-SIPHON AU LA NETTOYEUSE DE PUISSANCE

Voir la figure 5.

Le tuyau-siphon peut être submergé directement dans une source d'eau fraîche comme un lac, une piscine ou un seau de 23 L (5 gal) pour offrir un maximum de portabilité ou alors être fixé à un boyau d'arrosage, comme décrit ci-dessous.

ASSEMBLAGE

AVIS :

Toujours respecter tous les règlements locaux au moment de brancher les tuyaux flexibles à l'alimentation principale en eau. Dans certaines régions, l'unité ne doit pas être reliée directement à l'alimentation publique en eau potable pour éviter que des produits chimiques affectent le système. Un raccordement direct est généralement permis si une bêche de récupération ou un dispositif anti-refoulement est utilisé.

NE JAMAIS utiliser l'eau chaude. Avant de connecter le tuyau d'arrosage au la nettoyeuse de puissance :

- Faire circuler l'eau dans le flexible pendant 30 secondes pour le débarrasser des débris.

Pour connecter le tuyau d'arrosage à le tuyau-siphon :

- Dérouler complètement le boyau d'arrosage ou le retirer complètement du dévidoir pour éviter les pincements.

NOTE : Il doit y avoir un minimum de 3 m (10 pi) de tuyau entre l'admission du la nettoyeuse de puissance et le

robinet de tuyau ou le robinet de sectionnement (comme un connecteur de sectionnement en « Y »).

- Dévisser et retirer le filtre de l'extrémité du tuyau-siphon. Entreposer le filtre pour une utilisation ultérieure.
- Le robinet de tuyau étant complètement fermé, fixer l'extrémité du tuyau d'arrosage sur l'arrivée d'eau. Serrer à la main.

AVIS :

Ne pas faire fonctionner de la nettoyeuse de puissance sans que l'arrivée d'eau soit connectée et activée. Ne pas respecter cette directive peut faire en sorte d'endommager les joints d'étanchéité haute pression et de réduire la durée de vie utile de la pompe. Dérouler complètement le tuyau et s'assurer qu'il ne se coince pas dans les pneus, dans des roches ou tout autre objet susceptible de couper ou de réduire l'alimentation en eau de la nettoyeuse de puissance.

UTILISATION

AVERTISSEMENT :

Ne pas laisser la familiarité avec ce produit faire oublier la prudence. Ne pas oublier qu'une fraction de seconde d'inattention peut entraîner des blessures graves.

AVERTISSEMENT :

Toujours porter une protection oculaire ou porter des lunettes avec écrans latéraux certifiée conforme à la norme ANSI Z87.1. Le non respect de cette règle peut faire en sorte que des liquides soient projetés dans vos yeux, ce qui peut entraîner des blessures graves.

AVERTISSEMENT :

Ne pas utiliser d'outils ou accessoires non recommandés par le fabricant pour ce produit. L'utilisation de pièces et accessoires non recommandés peut entraîner des blessures graves.

AVERTISSEMENT :

Ne jamais diriger le jet d'eau vers des personnes, animaux domestiques ou dispositifs électriques. Le non-respect de cet avertissement pourrait entraîner des blessures graves, de décharge électrique ou la mort.

AVERTISSEMENT :

Utilisez l'équipement de protection. Protégez les yeux, la peau et les poumons pendant le mixage, le remplissage et le nettoyage. Si cette précaution n'est pas prise, des blessures ou des dommages pourraient en résulter.

AVERTISSEMENT :

Suivez toujours les instructions des fabricants des produits chimiques relatives à l'utilisation, le nettoyage et l'entreposage imprimées sur l'étiquette de leur produit. Nettoyez bien après chaque utilisation, conformément aux instruction dans la section *Entretien* de ce manuel. Les produits chimiques doivent être entreposés loin de la portée des enfants. Le non-respect de cet avertissement peut résulter en des blessures graves. Ne combinez pas de produits chimiques.

UTILISATION

AVERTISSEMENT :

Si ce produit est utilisé pour des applications d'herbicide/insecticide, ne pas le réutiliser avec des désinfectants. Se procurer un deuxième ensemble de buses et un outil pour une utilisation dédiée aux désinfectants uniquement. Les outils utilisés pour les applications d'herbicide/insecticide sont réglementés par la loi fédérale sur les insecticides, les fongicides et les rodenticides de l'agence américaine de protection environnementale et sont considérés comme contaminés.

AVERTISSEMENT :

Ne pas laisser des liquides hautement conducteurs ou corrosifs s'infiltrer dans le bloc-piles. Si vous renversez des liquides conducteurs ou corrosifs sur la pile, se référer aux instructions dans le manuel d'utilisation de la pile.

AVIS :

Avant chaque utilisation, inspecter au complet le produit afin de s'assurer qu'aucune pièce (vis, écrous, boulons, chapeaux, etc.) n'est endommagée, manquante ou desserrée. Serrer solidement toutes les pièces de fixation et les chapeaux et ne pas utiliser le produit tant que toutes les pièces manquantes ou endommagées n'ont pas été remplacées. Pour obtenir de l'aide, veuillez communiquer avec le service à la clientèle ou un centre de réparations autorisé.

APPLICATIONS

Utiliser ce produit pour nettoyer les objets comme dans les exemples suivants :

- Meubles de jardin, fenêtres, automobiles, bateaux ou véhicules de plaisance.

RETRAIT / INSTALLATION DU BLOC-PILES

Voir les figures 6 et 7.

AVERTISSEMENT :

Toujours retirer la pile de l'outil au moment d'assembler des pièces, d'effectuer des réglages et de procéder au nettoyage, ou lorsque l'outil n'est pas utilisé. Le fait de retirer la pile permet d'empêcher un démarrage accidentel pouvant entraîner des blessures graves.

Installation :

- Ouvrir le couvercle des piles en désengager le loquet et en ouvrant le couvercle.
- Insérer la pile dans l'outil comme illustré.

- S'assurer que les loquets de chaque côté de la pile s'enclenchent en place et que la pile est bien fixée à l'outil avant de mettre l'outil en marche.
- Fermer le couvercle des piles et tourner le bouton de verrouillage pour fixer le couvercle.

AVERTISSEMENT :

N'utiliser la nettoyeuse électrique que si le couvercle de la pile est complètement fermé et verrouillé. **NE JAMAIS** laisser de l'eau pénétrer dans le compartiment des piles.

Retrait :

- Déverrouiller le couvercle des piles et l'ouvrir
- Relâcher les loquets pour retirer le bloc-piles.
- Fermer le couvercle des piles et le fixer.

AVERTISSEMENT :

Les outils à piles sont toujours en état de fonctionnement. Il est donc nécessaire de toujours verrouiller la gâchette et de garder ensuite les mains à l'écart du bouton de verrouillage lorsque l'outil n'est pas utilisé. Retirer la pile au moment de transporter l'outil afin d'éviter un démarrage accidentel qui pourrait entraîner des blessures graves.

Pour prendre connaissance des consignes de chargement, consulter le manuel d'utilisation des piles et des chargeurs.

MISE EN MARCHÉ ET ARRÊT DU LA NETTOYEUSE DE PUISSANCE

Voir la figure 8.

AVERTISSEMENT :

Tenir fermement la nettoyeuse de puissance avec les deux mains. La force de réaction peut faire bouger la nettoyeuse de puissance lorsque la gâchette est enfoncée. Ne pas maintenir fermement la poignée peut provoquer une perte de contrôle et occasionner des blessures à l'opérateur et aux autres personnes.

NOTE : Ne jamais placer ni plonger l'appareil dans l'eau.

Pour démarrer :

- Raccorder le boyau d'arrosage ou submerger l'extrémité du tuyau-siphon avec filtre dans une source d'eau.
- Installer le bloc-piles.
- Orienter le bouton de verrouillage à la position de déverrouillage.
- Appuyer sur la gâchette et la maintenir pour mettre le tout en marche.

Commencer en plaçant la buse à une distance de 30 à 60 cm (1 à 2 pi) de la surface à nettoyer, et se rapprocher lentement de la surface jusqu'à ce que l'intensité de nettoyage soit

UTILISATION

atteinte. Si la buse est trop proche, le jet peut endommager la surface.

Pour arrancer :

- Relâcher la gâchette pour arrêter le débit d'eau dans la buse.
- Orienter le bouton de verrouillage à la position de verrouillage.
- Retirer le bloc-piles.

SÉLECTEUR DU MODE DE CONTRÔLE

Voir la figure 9.

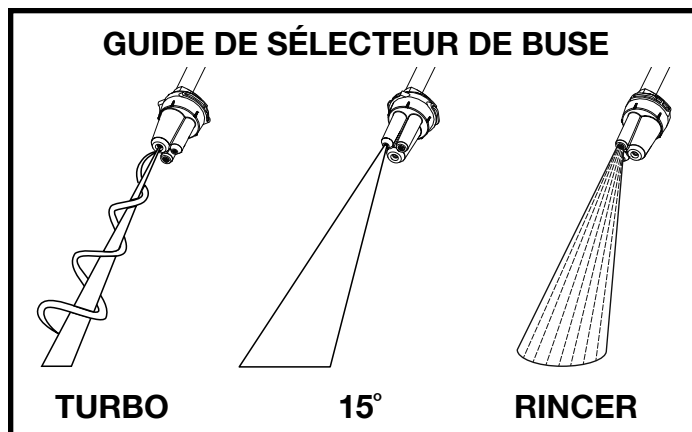
Permet d'ajuster la pression et le débit d'eau en fonction des exigences de votre travail de nettoyage. Changer le débit de l'eau de 0,8 à 2,7 LPM (0,2 à 0,7 GPM) en appuyant simplement sur un bouton.

- Appuyer sur le bouton pour changer les réglages.
- Le voyant à DEL basculera entre bas, moyen et élevé avec chaque pression du bouton.

SÉLECTIONNER LA BUSE À RACCORD RAPIDE APPROPRIÉE POUR LA TÂCHE

Voir la figure 10.

Chacune de buses offre une configuration de jet différente. Avant de commencer tout nettoyage, sélectionner la buse convenant le mieux pour l'application. Consulter le **Guide de sélecteur de buse** pour en savoir. Tourner la buse jusqu'à la position désirée.



RINÇAGE AVEC LA NETTOYEUSE DE PUISSANCE

Voir la figure 11.

- Éteindre la nettoyeuse de puissance et couper l'alimentation en eau. **Appuyer sur la gâchette pour relâcher la pression d'eau.**
- Engager le mécanisme de verrouillage situé sur la gâchette en tournant le bouton de verrouillage en position de verrouillage.
- Faire pivoter la buse 3-en-1 à la position désirée des trois buses.
- Sélectionner la buse appropriée pour le travail. Consulter le tableau plus haut dans ce manuel pour choisir la buse appropriée.
- Commencer la pulvérisation d'eau au haut de la surface à rincer et poursuivre l'opération vers le bas, en chevauchant les passages.

ENTRETIEN

AVERTISSEMENT :

Pour empêcher un démarrage accidentel pouvant entraîner des blessures graves, toujours retirer le bloc-piles de l'outil avant tout nettoyage ou entretien.

AVERTISSEMENT :

Toujours porter une protection oculaire avec écrans latéraux certifiée conforme à la norme ANSI Z87.1. Si cette précaution n'est pas prise, des objets peuvent être projetés dans les yeux et causer des lésions graves.

AVERTISSEMENT :

Utiliser exclusivement des pièces d'origine pour les réparations. L'usage de toute autre pièce pourrait créer une situation dangereuse ou endommager l'outil.

ENTRETIEN

AVERTISSEMENT :

Ne jamais utiliser de l'eau ou une autre liquide pour nettoyer ou rincer la produit et n'exposez pas à la pluie. La remiser à l'intérieur dans un endroit sec. Les liquides corrosifs, l'eau et les produits chimiques peuvent s'infiltrer dans le composants électroniques et/ou le compartiment de la pile et endommager les composants électroniques et/ou le bloc-pile, ce qui peut entraîner un court-circuit, augmenter le risque d'incendie ou des blessures corporelles graves. Enlever toute accumulation de la saleté et les débris sur la produit de temps en temps avec un linge sec.

AVIS :

Inspecter périodiquement au complet le produit afin de s'assurer qu'aucune pièce (vis, écrous, boulons, chapeaux, etc.) n'est endommagée, manquante ou desserrée. Serrer solidement toutes les pièces de fixation et les chapeaux et ne pas utiliser le produit tant que toutes les pièces manquantes ou endommagées n'ont pas été remplacées. Pour obtenir de l'aide, veuillez communiquer avec le Service à la clientèle ou un centre de réparations qualifié.

ENTRETIEN GÉNÉRAL

Éviter d'utiliser des solvants pour le nettoyage des pièces en plastique. La plupart des matières plastiques peuvent être endommagées par divers types de solvants du commerce. Utiliser un chiffon propre pour éliminer la saleté, la poussière, l'huile, la graisse, etc.

AVERTISSEMENT :

Ne jamais laisser de liquides tels que le fluide de freins, l'essence, les produits à base de pétrole, les huiles pénétrantes, etc., entrer en contact avec les pièces en plastique. Les produits chimiques peuvent endommager, affaiblir ou détruire le plastique, ce qui pourrait entraîner des blessures graves.

LUBRIFICATION POUR LA POMPE

La pompe est enduits d'une quantité suffisante de lubrifiant de haute qualité pour la durée de vie de l'outil, dans des conditions d'utilisation normales. Aucune autre lubrification n'est donc nécessaire.

REMISAGE DU LA NETTOYEUSE DE PUISSANCE

Remiser la machine dans un endroit sec à l'abri des intempéries.

Il est important de remiser ce produit à l'abri du gel. Toujours vider l'eau de tous les flexibles, et de la pompe, avant de remiser l'équipement.

- Retirer le bloc-piles et emmagasiner dans un emplacement assuré de la portée d'enfants.
- Débrancher tous les tuyaux. Avant de retirer la pile, appuyer sur l'interrupteur pour permettre le drainage de tout l'eau du nettoyant.
- Enroulez soigneusement le tuyau-siphon et rangez-le à l'aide du crochet et de la sangle à boucle.
- Appuyer sur le bouton de la nettoyeuse de puissance et tirer pour enlever la lance. Rangez la lance de pulvérisation et la buse dans leur espace de rangement respectif.
- Remiser l'unité et les accessoires dans un secteur qui n'atteint pas les températures inférieures à 0 °C. Ne pas ranger près de la fournaise ou près des autres sources de chaleur qui pourrait sécher les joint d'étanchéité de pompe.

INSTRUCCIONES DE SEGURIDAD IMPORTANTES

ADVERTENCIA:

Lea todas las advertencias de seguridad y todas las instrucciones. El incumplimiento de las advertencias e instrucciones puede ocasionar descarga eléctrica, fuego o lesiones graves.

- **Familiarícese con la herramienta.** Lea cuidadosamente el manual del operador. Aprenda los usos y limitaciones de la máquina, así como los posibles peligros específicos de esta herramienta.
- **Mantenga las protecciones en su lugar** y en buenas condiciones de trabajo. Nunca utilice la herramienta con ninguna de las protecciones o cubiertas quitadas. Asegúrese de que todas las protecciones estén funcionando de forma correcta antes de utilizar la unidad.
- **Para reducir el riesgo de lesiones,** mantenga a alejados a niños y demás circunstantes. Todos los presentes deben llevar puestos anteojos de seguridad y permanecer a una distancia segura del área de trabajo.
- **Mantenga alejadas del área de trabajo a todas las personas,** particularmente a los niños de corta edad, y también a las mascotas.
- **Use la herramienta adecuada a la tarea.** No fuerce la herramienta ni ningún accesorio a efectuar tareas para las que no están hechos. No la use para propósitos no indicados en las instrucciones. Si se utiliza la herramienta eléctrica para operaciones diferentes de las indicadas podría originar una situación peligrosa.
- **Vístase adecuadamente.** Use pantalones largos y mangas largas. No vista ropas, corbatas o joyas holgadas. Pueden resultar atrapadas y tirar de usted hacia piezas en movimiento. Se recomiendan guantes y calzado antiderrapantes al trabajar al aire libre. Si tiene el pelo largo cúbrase de alguna manera para contenerlo.
- **No accione el equipo cuando esté descalzo o al llevar puestas sandalias o calzado liviano similar.** Use calzado de seguridad que le proteja sus pies y mejore su postura en superficies resbaladizas.
- **Tenga suma precaución para evitar resbalarse o caer.**
- **Use siempre protección ocular con protección lateral o gafas que cumplan con la norma ANSI Z87.1.** La inobservancia de esta advertencia podría ocasionar la entrada de fluidos en sus ojos y provocar lesiones graves.
- **No se estire ni se pare sobre escalones, escaleras, azoteas o soportes inestables.** Mantenga una postura firme y buen equilibrio en todo momento.
- **Utilice sólo accesorios recomendados.** El empleo de accesorios inadecuados puede presentar riesgos de lesiones.
- **Siga las instrucciones de la mantenimiento especificadas en este manual.**
- **Inspeccione las piezas dañadas.** Antes de seguir utilizando la herramienta, es necesario inspeccionar cuidadosamente toda protección o pieza dañada para determinar si funcionará correctamente y desempeñará la función a la que está destinada. Verifique la alineación de las partes móviles, que no haya atoramiento de las mismas, que no haya piezas rotas, el montaje de las piezas y cualquier otra condición que pudiera afectar su funcionamiento. Toda protección o pieza que esté dañada debe repararse apropiadamente o reemplazarse en un centro de servicio calificado.
- **Nunca deje desatendida ninguna herramienta en funcionamiento. Apague la herramienta y retire el paquete de baterías.** No se aleje de la herramienta hasta no verla completamente detenida.
- **Siga las recomendaciones del fabricante para lograr la carga, descarga, transporte y almacenamiento seguros de la máquina.**
- **Familiarícese completamente con los controles.** Aprenda a detener la máquina y a liberar rápidamente la presión.
- **Mantenga la herramienta seca, limpia y libre de aceite y grasa.** Siempre utilice un paño limpio para la limpieza de la unidad. Nunca utilice fluidos para frenos, gasolina, productos a base de petróleo ni solventes para limpiar la herramienta.
- **Permanezca alerta, preste atención a lo que esté haciendo, y aplique el sentido común al utilizar herramientas eléctricas. No use una herramienta eléctrica cuando está cansado o bajo la influencia de drogas, alcohol o medicinas.** Un momento de inatención al utilizar una herramienta eléctrica puede causar lesiones corporales serias.
- **No utilice la unidad si se encuentra bajo los efectos de drogas, alcohol o medicamentos.**
- **Revise el área de trabajo cada vez antes de utilizar esta herramienta.** Retire todos los objetos como piedras, vidrio roto, clavos, alambre o cuerda que puedan salir disparados o enredarse en la máquina.
- **No utilice la herramienta si el interruptor no apaga.** Lleve todo interruptor a un centro de servicio calificado para que lo reparen.
- **Antes de limpiar, reparar o inspeccionar la máquina,** apague el motor y cerciórese de que se hayan detenido todas las partes en movimiento. Retire el paquete de baterías para evitar el arranque accidental de la unidad.
- **Evite tener un entorno de trabajo peligroso.** Mantenga bien iluminada el área de trabajo. Un área de trabajo mal despejada o mal iluminada propicia accidentes.
- **Nunca utilice la unidad en una atmósfera explosiva.** El chispeo normal del motor podría encender los gases presentes.
- **No utilice la unidad mientras fuma ni cerca de llamas abiertas.**
- **No utilice la unidad cerca de vegetación o ramas secas,** paños de textiles ni otros materiales inflamables.

INSTRUCCIONES DE SEGURIDAD IMPORTANTES

- **ADVERTENCIA: Riesgo de inyección o de lesión** – No dirija el chorro hacia las personas.
- **No permita que haya personas presentes o niños en la zona mientras utiliza este producto.** La exposición a algunos químicos puede ser peligrosa.
- **Utilice equipo de protección personal. Use siempre protección para los ojos con protectores laterales, o gafas y una máscara antipolvo.** Protéjase los ojos, la piel y los pulmones contra el rociado accidental y durante la mezcla, el llenado y la limpieza.
- **Guarde el producto desocupadas fuera del alcance de los niños y no permita que las utilicen personas no familiarizadas con las mismas o con estas instrucciones.**
- **Use el dispositivo de conformidad con estas instrucciones y de la forma apropiada para el dispositivo, tomando en cuenta las condiciones ambientales y la tarea por realizar.** El uso del producto para operaciones diferentes de aquellas para las que se diseñó podría ocasionar una situación peligrosa.

REGLAS DE SEGURIDAD ESPECÍFICAS

PELIGRO:

Riesgo de incendio o explosión. No pulverice líquidos inflamables como gasolina. Busque este símbolo en el recipiente.



ADVERTENCIA:

Los productos químicos o vapores de los químicos pueden ser peligrosos y causar lesiones graves, daños permanentes o la muerte si se ingieren, inhalan o si salpican en los ojos o la piel.

ADVERTENCIA:

Algunos vapores creados por los productos utilizados con el rociador contienen sustancias químicas reconocidas por el estado de California como causantes de cáncer, defectos congénitos y otras afecciones del aparato reproductor. Siga las instrucciones de los contenedores de todos esos productos. Para reducir la exposición personal a este tipo de productos químicos, trabaje con equipo de seguridad aprobado, como mascarillas especialmente diseñadas para filtrar los vapores, guantes y otros equipos de protección adecuados.

ADVERTENCIA:

No permita que fluidos conductores o corrosivos ingresen al paquete de baterías. Si se derraman fluidos conductores o corrosivos en la batería, consulte las instrucciones del manual del operador.

PRECAUCIÓN:

Mantenga todas las partes del cuerpo fuera del patrón de rociado.

- **Nunca apunte el limpiador eléctrico en dirección a personas, mascotas o cualquier dispositivo eléctrico.**
- **Antes de iniciar cualquier operación de limpieza,** cierre puertas y ventanas. Despeje el área a limpiar y elimine cualesquier desechos, juguetes, muebles de patio u otros objetos que pudiesen crear un peligro.
- **Nunca intente usar el limpiador eléctrico** si se formó hielo en alguna parte del equipo. Guarde siempre la herramienta en el interior para evitar el congelamiento.
- **No use soluciones ácidas, alcalinas, solventes, materiales inflamables o de grado industrial** en este producto. Estos productos pueden causar lesiones físicas al operador y daños irreparables a la máquina.
- **ADVERTENCIA: Los chorros de alta presión pueden ser peligrosos si se utilizan indebidamente.** Nunca dirija el chorro a personas, animales, dispositivos eléctricos ni a la máquina misma.
- **Sujete el mango con gatillo firmemente con ambas manos.** Se espera que el mango del gatillo se mueva cuando se tire del gatillo como consecuencia de las fuerzas de reacción. La inobservancia de esta advertencia podría causar pérdida de control y lesiones a usted y a otras personas.
- **Nunca intente efectuar ajuste alguno mientras el motor está en marcha** (excepto cuando así lo recomiende específicamente el fabricante).
- **Cuando el motor esté en marcha, es imperativo que las cubiertas de protección cubran las partes en movimiento.**
- **Antes de cada uso, inspeccione los pernos y las tuercas** para verificar que están apretados. Una tuerca o perno sueltos pueden causar problemas graves en el motor.
- **Al dar servicio a la unidad, sólo utilice piezas de repuesto recomendados o equivalentes.** El empleo de piezas diferentes puede causar un peligro o dañar el producto.

REGLAS DE SEGURIDAD ESPECÍFICAS

- **Use SOLO agua fría o tibia.** No use nunca agua a más de 43 °C (110 °F).
- **Nunca rocío cierra a la superficie** para ser limpiado como usted puede dañar la superficie.
- **Nunca use agua ni otros líquidos para limpiar o enjuagar la product y no exponga la unidad a la lluvia. Almacene la unidad en el interior en un lugar seco.** Los líquidos corrosivos, el agua, y los productos químicos pueden ingresar los componentes eléctricos del producto y/o al compartimiento de la batería y dañar los componentes eléctricos o el paquete de la batería, lo que podría resultar en un corto circuito, mayor riesgo de incendio y lesiones personales graves. Retire la acumulación de suciedad y los residuos limpiando el producto con un trapo seco de manera ocasional.
- **Antes de usar cualquier desinfectante u otro material para pulverizar en este rociador, lea cuidadosamente la etiqueta del contenedor original y siga las instrucciones.** Algunos materiales para pulverizar son peligrosos y no deben utilizarse en este rociador, ya que pueden dañar el rociador y causar lesiones corporales graves y daños a los bienes.
- **No rocíe líquidos calientes o hirviendo.** Estos pueden debilitar o dañar la herramienta.
- **El área de rociado debe estar bien ventilada.**
- **Evite rociar en días ventosos.** Puede caer rocío accidentalmente sobre plantas u objetos que no se deben rociar.
- **Almacene el rociador en un lugar interno seguro y bien ventilado con todos los contenedores de accesorios vacíos.**
- **No use productos químicos a base de alcohol.**
- **No use polvos ni productos químicos abrasivos.**
- **No utilice productos químicos de tipo comercial o aquellos para fines comerciales o industriales.** Utilice únicamente productos químicos de limpieza y desinfección a base de agua para el consumo.
- **No combine productos químicos.**
- **Si usa este producto para aplicaciones de herbicidas o insecticidas, no lo reutilice para usarlo con desinfectantes.** Obtenga un segundo juego de boquillas y una herramienta para usar exclusiva y específicamente con desinfectantes. Las herramientas utilizadas para las aplicaciones de herbicidas o insecticidas están reguladas por las disposiciones de la Ley Federal de Insecticidas, Fungicidas y Rodenticidas de la EPA y se consideran contaminadas.
- **Conozca el contenido de las sustancias químicas que rocía.** Lea todas las hojas de datos de seguridad (SDS) y las etiquetas de los recipientes provistas con el producto químico. Siga las instrucciones de seguridad del fabricante del producto químico. El uso de un desinfectante aprobado por la EPA de una manera inconsistente con las indicaciones de la etiqueta constituye una violación de la ley federal.
- **No deje residuos ni material de rociado en la herramienta, sus accesorios o contenedores después de usar el rociador.** Limpie la unidad después de cada uso.
- **Entretenez ce produit. Inspeccione minuciosamente tanto el interior como el exterior del rociador y examine los componentes antes de cada uso. Compruebe si hay tanques rotos y deteriorados, fugas, boquillas obstruidas, y piezas faltantes o dañadas. Si el producto está dañado, llévelo a reparar antes de usarlo.** Numerosos accidentes son causados por herramientas mal cuidadas.
- **Desconecte la batería de la unidad antes de drenar, limpiar o almacenar el rociador.** Con tales medidas preventivas de seguridad se reduce el riesgo de poner en marcha accidentalmente los módulos.
- **Use siempre protección ocular con protección lateral o gafas que cumplan con la norma ANSI Z87.1.** La inobservancia de esta advertencia podría ocasionar la entrada de fluidos en sus ojos y provocar lesiones graves.
- **Protéjase los pulmones. Use una máscara facial o antipolvo cuando use el rociador.** Seguir esta regla reduce el riesgo de lesiones graves.
- **Mantenga los mangos y superficies de agarre limpias y libres de aceite y grasa.** Los mangos y superficies de agarre resbalosas no permiten la manipulación y control seguro de la herramienta en situaciones inesperadas.
- **No se necesita conectar a una toma de corriente las herramientas de pilas; por lo tanto, siempre están en condiciones de funcionamiento. Esté consciente de los posibles peligros cuando no esté usando la herramienta de pilas o cuando esté cambiando los accesorios de la misma. Retire el paquete de baterías cuando no esté usando la unidad.** El cumplimiento de esta norma reducirá el riesgo de descargas eléctricas, incendios o lesiones personales graves.
- **Para usarse sólo en el exterior.**




GUARDE ESTAS INSTRUCCIONES

REGLAS ESPECÍFICAS PARA EL FUNCIONAMIENTO A BATERÍA









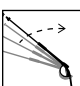

- **No use aparatos accionados por baterías en la lluvia.**
- **Quite o desconecte la batería antes de proporcionarle servicio, realizarle una limpieza o quitar material del aparato.**
- **Usar este producto únicamente con la baterías y el cargador indicados en el folleto de la herramienta/aparato/paquete de baterías/cargador complementario 987000-432.**
- **Guarde los aparatos que no se están usando** – Cuando no está en uso, la podadora debe guardarse en el interior, en un lugar seco y cerrado con llave, lejos del alcance de los niños.
- **Evite el encendido accidental.** Asegúrese de que el interruptor esté en la posición de apagado antes de conectarlo a la toma de alimentación o a la batería, al levantar o mover la herramienta. Llevar las herramientas con el dedo en el interruptor o conectar herramientas con el interruptor puesto es causa común de accidentes.
- **Desconecte el paquete de pilas de la herramienta antes de efectuar ajustes, de cambiar accesorios o de guardar la herramienta.** Con tales medidas preventivas de seguridad se reduce el riesgo de poner en marcha el dispositivo accidentalmente.
- **Si se maltratan las pilas, puede derramarse líquido de las mismas; evite todo contacto con éste.** En caso de contacto, lávese con agua. Si el líquido llega a tocar los ojos, además busque atención médica. El líquido que sale despedido de la batería puede causar irritaciones o quemaduras.
- **No modifique ni intente reparar el dispositivo o el paquete de baterías, excepto según se indica en las instrucciones de uso y mantenimiento.**
- **Cuando no esté usando el paquete de baterías, manténgalo alejado de todo objeto metálico como clips, monedas, llaves, clavos, tornillos u otros objetos metálicos pequeños que puedan establecer conexión entre ambas terminales.** Realizar un cortocircuito en los terminales de la batería puede provocar quemaduras o un incendio.
- **No utilice un paquete de baterías o un artefacto que esté dañado o modificado.** Las baterías dañadas o modificadas pueden tener un funcionamiento impredecible que provoque incendios, explosiones o riesgo de lesiones.
- **No exponga el paquete de baterías o el artefacto al fuego o a temperaturas excesivas.** La exposición al fuego o a temperatura sobre los 130 °C (265 °F) puede provocar explosiones.
- **Siga todas las instrucciones de carga y no cargue el paquete de baterías ni el aparato fuera del rango de temperaturas especificado en las instrucciones.** Si realiza la carga en forma incorrecta o fuera de las temperaturas del rango especificado puede dañar la batería y aumentar el riesgo de incendios.
- **Verifique que un técnico de reparación calificado haga el mantenimiento usando solo repuestos idénticos.** De esta manera se mantiene la seguridad del producto.
- **No deseche las baterías en el fuego. Las baterías pueden estallar.** Verifique los códigos de la localidad para conocer posibles instrucciones especiales para desecharlas.
- **No abra ni desarme las baterías.** El electrolito emitido es corrosivo y puede causar daños en los ojos y en la piel. Puede ser tóxico si se ingiere.
- **No coloque herramientas de baterías ni las baterías mismas cerca del fuego o del calor.** De esta manera se reduce el riesgo de explosiones y de lesiones.
- **Las baterías pueden explotar en presencia de una fuente de ignición, como una luz guía.** Para reducir el riesgo de lesiones corporales serias, nunca use un producto inalámbrico en presencia de llamas vivas. La explosión de una batería puede lanzar fragmentos y compuestos químicos. En caso de exposición, enjuáguese con agua de inmediato.
- **No aplaste, deje caer o dañe la batería. Nunca utilice una batería o cargador que se ha caído, aplastado, recibido un golpe contundente o ha sido dañado(a) de alguna manera.** Las baterías dañadas pueden sufrir explosiones. Deseche de inmediato toda batería que haya sufrido una caída o cualquier daño.
- **Tenga cuidado cuando maneje baterías a fin de no realizar un cortocircuito en la batería con materiales conductores como anillos, brazaletes y llaves.** La batería o el conductor pueden recalentarse y provocar quemaduras.
- **En condiciones extremas de uso o temperatura las baterías pueden emanar líquido.** Si el líquido llega a tocarle la piel, lávese de inmediato con agua y jabón. Si le entra líquido en los ojos, láveselos con agua limpia por lo menos 10 minutos, y después busque de inmediato atención médica. Con el cumplimiento de esta regla se reduce el riesgo de lesiones corporales serias.
- **No cargue herramientas de pilas en lugares mojados o húmedos.** Con el cumplimiento de esta regla se reduce el riesgo de una descarga eléctrica.
- **Nunca repare paquetes de baterías dañados.** La reparación de paquetes de baterías solo puede ser realizada por el fabricante o proveedores de servicio autorizados.
- **Guarde estas instrucciones.** Consúltelas con frecuencia y empléelas para instruir a otras personas que puedan utilizar este producto. Si presta a alguien este producto, facilítele también las instrucciones.

SÍMBOLOS

Las siguientes palabras de señalización y sus significados tienen el objeto de explicar los niveles de riesgo relacionados con este producto.



SÍMBOLO	SEÑAL	SIGNIFICADO
	PELIGRO:	Indica una situación peligrosa, la cual, si no se evita, causará lesiones graves o mortales.
	ADVERTENCIA:	Indica una situación peligrosa, la cual, si no se evita, podría causar lesiones graves o mortales.
	PRECAUCIÓN:	Indica una situación peligrosa, la cual, si no se evita, podría causar lesiones menores o leves.
	AVISO:	(Sin el símbolo de alerta de seguridad) Indica la información que se considera importante, pero no relacionada con lesiones potenciales (por ej. en relación a daños a la propiedad).

Es posible que se empleen en esta herramienta algunos de los siguientes símbolos. Le suplicamos estudiarlos y aprender su significado. Una correcta interpretación de estos símbolos le permitirá utilizar mejor y de manera más segura la herramienta.

SÍMBOLO	NOMBRE	DENOMINACIÓN/EXPLICACIÓN
	Alerta de seguridad	Indica un peligro posible de lesiones personales
	Lea manual del operador	Para reducir el riesgo de lesiones, el usuario debe leer y comprender el manual del operador antes de usar este producto.
	Protección para los ojos y respirar	Siempre utilice protección ocular con protección lateral con la marca de cumplimiento de la norma ANSI Z87.1, junto con protección y protección respirar.
	Mantenga alejadas a las personas presentes	Mantenga a los circunstantes a una distancia mínima de 15 m (50 pies).
	Superficie resbalosa	Tenga suma precaución para evitar resbalarse o caer.
	Alerta de condiciones húmedas	Riesgo de incendio y quemaduras. No exponga la batería, el compartimento de la batería o componentes electrónicos a la lluvia, el agua o líquidos. Cierre la tapa durante el uso. No use la herramienta en pisos húmedos.
	Riesgo de inyecciones	Riesgo de incendio y quemaduras. No exponga la batería, el compartimento de la batería o componentes electrónicos a la lluvia, el agua o líquidos. No exponga la herramienta a la lluvia o a lugares húmedos, ni cargue la batería en esas condiciones. Cierre la tapa durante el uso.
	Riesgo de explosión	No pulverice líquidos inflamables. Líquidos inflamables y sus vapores del mismo son explosivos y pueden causar quemaduras graves e incluso la muerte.
	Contragolpe	Para reducir el riesgo de lesiones por un contragolpe, sujete firmemente el tubo rociador con ambas manos cuando esté encendida la máquina.
	Descarga eléctrica	No use la cortadora cerca de líneas de alimentación o tomas eléctricas.

SÍMBOLOS

Es posible que se empleen en esta herramienta algunos de los siguientes símbolos. Le suplicamos estudiarlos y aprender su significado. Una correcta interpretación de estos símbolos le permitirá utilizar mejor y de manera más segura la herramienta.

SÍMBOLO	NOMBRE	DENOMINACIÓN/EXPLICACIÓN
	Quemaduras químicas	Para reducir el riesgo de lesiones o daños físicos, NO USE SOLUCIONES ÁCIDAS, ALCALINAS, BLANQUEADORES, SOLVENTES, MATERIALES INFLAMABLES O DE GRADO INDUSTRIAL en este producto.
	Símbolo de reciclado	Este producto utiliza baterías de iones de litio (Li-ion). Es posible que algunas leyes municipales, estatales o federales prohíban desechar las baterías en la basura normal. Consulte a las autoridades reguladoras de desechos para obtener información en relación con las alternativas de reciclado y desecho disponibles.
V	Voltios	Voltaje
n_0	Velocidad en vacío	Velocidad de rotación, en vacío
.../min	Por minuto	Revoluciones, carreras, velocidad superficial, órbitas, etc., por minuto

CARACTERÍSTICAS

ESPECIFICACIONES DEL PRODUCTO

Motor..... 18 V CA
 Presión máxima*.....600 PSI
 Flujo máximo.....2,7 LPM (0,7 GPM)

CONOZCA SU LIMPIADOR ELÉCTRICO EASY CLEAN

Vea la figura 1.

Para usar este producto con la debida seguridad se debe comprender la información indicada en la herramienta misma y en este manual, y se debe comprender también el trabajo que intenta realizar. Antes de usar este producto, familiarícese con todas las características de funcionamiento y normas de seguridad del mismo.

SELECTOR DE CONTROL DE MODO

Permite ajustar la presión y el flujo de agua en función de los requisitos del trabajo de limpieza. Cambie el flujo de agua de 0,0008 a 0,003 m³/min con solo presionar un botón.

MANGUERA DE SIFÓN

La manguera de sifón con filtro proporciona al usuario portabilidad total para extraer agua de cualquier fuente de agua, como una piscina o una cubeta de agua de 18,9 l (5 gal). También se puede conectar a una manguera de jardín para un suministro continuo de agua.

SISTEMA DE AHORRO DE ENERGÍA

La limpiador eléctrico está equipada con una función de ahorro de energía que hace que el motor se detenga cada vez que se suelta el mango del gatillo. El LED en el interruptor de encendido/apagado parpadeará para indicar que el sistema de detención total está activado.

MANGO DEL GATILLO

El mango del gatillo dispone de una superficie de sujeción ranurada la cual proporciona control adicional de dicho tubo y reduce la fatiga del operador.

GATILLO CON SEGURO

Al tirar del gatillo sale un chorro de agua para limpiar con alta presión. El seguro ofrece protección contra todo uso no autorizado.

ARMADO

DESEMPAQUETADO

Este producto requiere armarse.

- Extraiga cuidadosamente de la caja la herramienta y los accesorios. Asegúrese de que estén presentes todos los artículos enumerados en la **Lista de empaquetado**.

ADVERTENCIA:

No utilice este producto si alguna pieza incluida en la **Lista de empaquetado** ya está ensamblada al producto cuando lo desempaqueta. El fabricante no ensambla las piezas de esta lista en el producto. Éstas deben ser instaladas por el usuario. El uso de un producto que puede haber sido ensamblado de forma inadecuada podría causar lesiones personales graves.

- Inspeccione cuidadosamente el producto para asegurarse de que no haya sufrido ninguna rotura o daño durante el transporte.
- No deseche el material de empaquetado hasta que haya inspeccionado cuidadosamente el producto y la haya utilizado satisfactoriamente.
- Si hay piezas dañadas o faltantes, le suplicamos llamar al 1-800-525-2579 donde le brindaremos asistencia.

LISTA DE EMPAQUETADO

Limpiador eléctrico de 18 voltios

Manguera de sifón de conexión rápida de 6,1 m (20 pies) con filtro

Tubo rociador

Boquilla 3 en 1 (15°, turbo, enjuague)

Conexión rápida

Bolsa de malla

Manual del operador

ADVERTENCIA:

Si falta o está dañada alguna pieza, no utilice este producto hasta tenerlas todas completas. Le fait d'utiliser ce produit même s'il contient des pièces endommagées ou s'il lui manque des pièces peut entraîner des blessures graves.

ADVERTENCIA:

No intente modificar este producto ni hacer accesorios no recomendados para la misma. Cualquier alteración o modificación constituye maltrato, el cual puede causar una condición peligrosa, y como consecuencia posibles lesiones corporales serias.

ADVERTENCIA:

Para evitar un arranque accidental que podría causar lesiones corporales graves, siempre desconecte el paquete de baterías del producto al ensamblar las piezas.

CONEXIÓN DEL TUBO ROCIADOR AL LIMPIADOR ELÉCTRICO

Vea la figura 2.

- Alinear las flechas y inserte el extremo del tubo rociador en el limpiador eléctrico y empújelo hasta que encaje en su lugar.
- Tire de la tubo rociador para verificar que esté bien asegurada.
- Para retirar la tubo rociador, presione el botón en el limpiador eléctrico y tire para quitar la tubo.

CONEXIÓN DE LA BOQUILLA 3 EN 1 AL TUBO ROCIADOR

Vea la figura 3.

- Alinear las flechas y inserte el extremo del tubo rociador en el limpiador de vehículos y gírelo en sentido horario para asegurarlo.
- Tire de la boquilla 3 en 1 para verificar que esté bien asegurada.
- Para retirar la boquilla 3 en 1, presione el botón en el tubo y tire para quitar la boquilla.

CONEXIÓN DE LA MANGUERA DE SIFÓN AL LIMPIADOR ELÉCTRICO

Vea la figura 4.

- Desenrolle y enderece completamente la manguera de alta presión para evitar la formación de acodaduras.
- Inspeccione el cedazo de la entrada de agua.
- Si está dañado el cedazo, no utilice la máquina sino hasta haber reemplazado aquél.
- Si está sucio el cedazo, límpielo antes de conectar la manguera de sifón a la máquina.
- Alinee el collar de conexión rápida de la manguera de sifón a la entrada de agua del limpiador del vehículo.
- Empuje el collar sobre la salida hasta que encaje en su lugar.
- Tire de la manguera para asegurarse de que esté debidamente asegurada.

CONEXIÓN DE LA MANGUERA DE SIFÓN A UNA MANGUERA DE JARDÍN

Vea la figura 5.

La manguera de sifón se puede sumergir directamente en cualquier fuente de agua dulce, como un lago, una piscina o una cubeta de 18,9l (5 gal), para obtener máxima portabilidad o conectarse a una manguera de jardín como se describe a continuación.

ARMADO

AVISO:

Siempre observe las normas locales cuando conecte las mangueras a la tubería principal de agua. En algunas áreas existen restricciones para la conexión directa al suministro público de agua potable a fin de evitar la retroalimentación de químicos al suministro de agua potable. La conexión directa a través de un tanque receptor o de una válvula contra reflujo suele estar permitida.

NUNCA use agua caliente. Antes de conectar una manguera de jardín a la limpiador eléctrico:

- Deje correr agua por la manguera durante 30 segundos para limpiar toda la basura que pueda haber en el interior de la misma.

Para conectar una manguera de jardín a la manguera de sifón:

- Desenrolle completamente la manguera de jardín o quítela completamente del carrito para evitar la formación de acodaduras.

NOTA: Debe haber un mínimo de 3 metros (10 pies) de manguera sin ninguna restricción en el flujo de la misma, entre la entrada de la lavadora de presión y el grifo o válvula de cierre (como un conector de cierre en “Y”).

- Desenrosque y retire el filtro del extremo de la manguera de sifón. Guarde el filtro para usarlo más adelante.
- Teniendo el grifo de la manguera completamente cerrado, conecte el extremo de la manguera de jardín a la entrada de agua. Efectúe el apriete con la mano.

AVISO:

No accione la bomba de la limpiador eléctrico sin que el suministro de agua esté conectado y abierto; de lo contrario, se pueden dañar los sellos de alta presión y se puede acortar la vida útil de la bomba. Desenrolle la manguera de su riel o bobina por completo y asegúrese de que ninguna rueda, piedra o cualquier otro objeto no pise la manguera, ya que puede disminuir o impedir el paso del agua a la limpiador eléctrico.

FUNCIONAMIENTO

ADVERTENCIA:

No permita que su familiarización con este producto lo vuelva descuidado. Tenga presente que un descuido de un instante es suficiente para causar una lesión grave.

ADVERTENCIA:

Siempre póngase protección ocular con protección lateral o gafas protectoras con la marca de cumplimiento de la norma ANSI Z87.1. La inobservancia de esta advertencia puede causar el lanzamiento de objetos a los ojos, y por consecuencia posibles lesiones serias.

ADVERTENCIA:

No utilice ningún aditamento o accesorio no recomendado por el fabricante de este producto. El empleo de aditamentos o accesorios no recomendados podría causar lesiones serias.

ADVERTENCIA:

Póngase equipo de seguridad. Protéjase los ojos, la piel y los pulmones durante las operaciones de mezclado, llenado, rociado y limpieza. La inobservancia de esta advertencia puede causar lesiones corporales graves y daños a los bienes.

ADVERTENCIA:

Siempre siga las instrucciones del fabricante del producto químico impresas en la etiqueta del producto para su uso, limpieza y almacenamiento. Limpie bien la unidad después de cada uso, siguiendo las instrucciones de la sección *Mantenimiento* de este manual. Los productos químicos deben ser almacenados fuera del alcance de los niños. La inobservancia de esta advertencia puede causar lesiones corporales graves. No combine productos químicos.

FUNCIONAMIENTO

ADVERTENCIA:

Si usa este producto para aplicaciones de herbicidas/insecticidas, no lo readapte para usarlo con desinfectantes. Obtenga un segundo juego de boquillas y una herramienta para usar exclusivamente con desinfectantes. Las herramientas utilizadas para las aplicaciones de herbicidas/insecticidas están reguladas por las normas de la Ley Federal de Insecticidas, Fungicidas y Rodenticidas de la EPA y se consideran contaminadas.

ADVERTENCIA:

No permita que fluidos conductores o corrosivos ingresen al paquete de baterías. Si se derraman fluidos conductores o corrosivos en la batería, consulte las instrucciones del manual del operador.

AVISO:

Antes de cada uso, inspeccione todo el producto para detectar partes dañadas, faltantes o sueltas, como tornillos, tuercas, pernos, tapas, etc. Apriete firmemente todos los sujetadores y las tapas y no accione este producto hasta que todas las partes faltantes o dañadas sean reemplazadas. Póngase en contacto con el servicio al cliente o con un centro de servicio autorizado para obtener ayuda.

USOS

Puede usar este producto para limpiar objetos como los siguientes:

- Muebles de patio, ventanas, automóviles, botes o vehículos recreativos

PARA DESMONTAR Y MONTAR EL PAQUETE DE BATERÍAS

Vea las figuras 6 y 7.

ADVERTENCIA:

Retire siempre el paquete de baterías de la herramienta antes de instalar las piezas, realizar ajustes, limpiarla o cuando no la utilice. Retirar el paquete de baterías evitará que la unidad se accione accidentalmente y provoque lesiones graves.

Para conectar:

- Abra la tapa de la batería, suelte la pestillo y abra de la tapa.
- Coloque el paquete de baterías en el producto como se muestra.

- Asegúrese de que los pestillos situados a ambos lados del paquete de baterías entren completamente en su lugar con un chasquido y de que el paquete quede bien asegurado en la herramienta antes de comenzar a utilizarla.
- Cierre la tapa de la batería y gire la perilla de bloqueo para asegurar la tapa.

ADVERTENCIA:

No use el limpiador eléctrico sin la tapa de la batería totalmente cerrada con el pestillo. No permita NUNCA que ingrese agua en el compartimiento de la batería.

Para el desmontaje:

- Desbloquee y abra la tapa de la batería.
- Oprima los pestillos para extraer el paquete de baterías.
- Cierre y asegure la tapa de la batería.

ADVERTENCIA:

Las herramientas que funcionan a pilas siempre están en condiciones de funcionamiento. Por lo tanto, el interruptor de bloqueo debe estar asegurado y las manos deben estar alejados del botón de bloqueo cuando la unidad no esté en uso. Retire el paquete de pilas al transportar o trasladar la podadora de setos a fin de evitar arranques accidentales que pueden causar lesiones serias.

Para obtener instrucciones específicas de carga, lea el manual del operador que se incluye con el cargador y la batería.

CÓMO ENCENDER Y DETENER EL LIMPIADOR ELÉCTRICO

Vea la figura 8.

PELIGRO:

La aplicación inapropiada de la solución de limpieza puede provocar LESIONES GRAVES o la MUERTE. Siga las pautas de CDC y EPA para la limpieza.

ADVERTENCIA:

Riesgo de incendio o explosión. El área de rociado debe estar bien ventilada y lejos de chispas o llamas.

ADVERTENCIA:

Sujete el mango firmemente con ambas manos. Se espera que el limpiador eléctrico se mueva cuando se tire del gatillo como consecuencia de las fuerzas de reacción. La inobservancia de esta advertencia podría causar pérdida de control y lesiones a usted y a otras personas.

FUNCIONAMIENTO

NOTA: Nunca coloque o sumerja la unidad en agua estancada.

Para encendido:

- Conecte la manguera de jardín o sumerja el extremo con filtro de la manguera de sifón en la fuente de agua.
- Instale el paquete de baterías.
- Coloque el botón de bloqueo en la posición desbloqueada.
- Mantenga presionado el gatillo para operar la herramienta.

Comience con la boquilla a una distancia de entre 30 y 60 cm (1 y 2 pies) de la superficie a limpiar y acérquese a la superficie justo lo suficiente para alcanzar el nivel de limpieza deseado. Si está demasiado cerca el chorro, puede dañar la superficie que está limpiándose.

Para apagado:

- Suelte el gatillo para detener el flujo de agua que pasa por la boquilla.
- Coloque el botón de bloqueo en la posición bloqueada.
- Quite el paquete de baterías.

SELECTOR DE CONTROL DE MODO

Vea la figura 9.

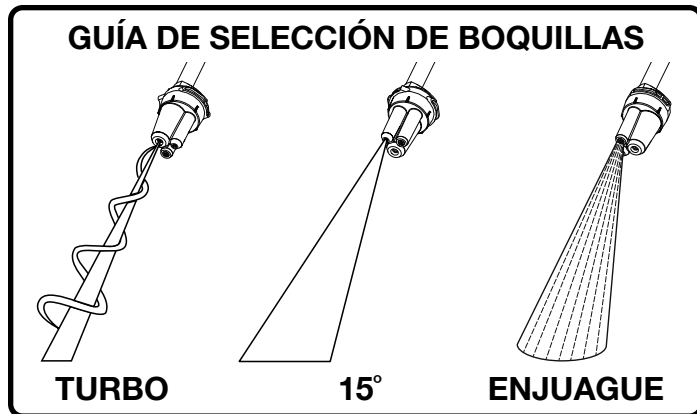
Permite ajustar la presión y el flujo de agua en función de los requisitos del trabajo de limpieza. Cambie el flujo de agua de 0,0008 a 0,003 m³/min con solo presionar un botón.

- Presione el botón para cambiar la configuración.
- El LED cambiará de bajo a medio, alto y nuevo a bajo con cada pulsación del botón.

SELECCIÓN DE LA BOQUILLA CORRECTA DE CONEXIÓN RÁPIDA PARA CADA TRABAJO

Vea la figura 10.

Cada una de las boquillas tiene un patrón de rociado diferente. Antes de empezar cualquier trabajo de limpieza, determine cuál es la mejor boquilla para el trabajo. Vea la **Guía de selección de boquillas** sobre qué boquilla utilizar. Gire la boquilla hasta seleccionar la posición deseada.



CÓMO ENJUAGAR CON EL LIMPIADOR ELÉCTRICO

Vea la figura 11.

- Apague la limpiador eléctrico y cierre el suministro de agua.
- Active el bloqueo en el gatillo moviendo el botón de bloqueo a la posición bloqueada.
- Gire la boquilla 3 en 1 a la posición deseada de las tres boquillas.
- Seleccione el ajuste de boquilla adecuado para el trabajo. Para seleccionar la boquilla adecuada, consulte la tabla más arriba en este manual.
- Comience por la parte superior por enjuagar y avance hacia abajo, traslapando cada pasada.

MANTENIMIENTO

ADVERTENCIA:

Para evitar lesiones corporales serias, siempre retire el paquete de baterías de la herramienta al limpiarla o darle mantenimiento.

ADVERTENCIA:

Siempre póngase protección ocular con protección lateral o gafas protectoras con la marca de cumplimiento de la norma ANSI Z87.1. La inobservancia de esta advertencia puede causar el lanzamiento de objetos a los ojos, y por consecuencia posibles lesiones serias.

ADVERTENCIA:

Al dar servicio a la unidad, sólo utilice piezas de repuesto idénticas. El empleo de piezas diferentes podría causar un peligro o dañar el producto.

ADVERTENCIA:

Nunca use agua ni otros líquidos para limpiar o enjuagar la product y no exponga la unidad a la lluvia. Almacene la unidad en el interior en un lugar seco. Los líquidos corrosivos, el agua, y los productos químicos pueden ingresar los componentes eléctricos del producto y/o al compartimiento de la batería y dañar los componentes eléctricos o el paquete de la batería, lo que podría resultar en un corto circuito, mayor riesgo de incendio y lesiones personales graves. Retire la acumulación de suciedad y los residuos limpiando el producto con un trapo seco de manera ocasional.

ADVERTENCIA:

Siempre almacene y deseche los productos químicos de la manera adecuada. El desecho del agua de enjuague contaminada se debe realizar en cumplimiento con las ordenanzas y disposiciones locales.

AVISO:

Inspeccione periódicamente todo el producto para detectar partes dañadas, faltantes o sueltas, como tornillos, tuercas, pernos, tapas, etc. Apriete firmemente todos los sujetadores y las tapas y no accione este producto hasta que todas las partes faltantes o dañadas sean reemplazadas. Póngase en contacto con el servicio al cliente o con un centro de servicio autorizado para obtener ayuda.

MANTENIMIENTO GENERAL

Evite el empleo de solventes al limpiar piezas de plástico. La mayoría de los plásticos son susceptibles a diferentes tipos de solventes comerciales y pueden resultar dañados. Utilice paños limpios para eliminar la suciedad, el polvo, el aceite, la grasa, etc.

ADVERTENCIA:

No permita en ningún momento que fluidos para frenos, gasolina, productos a base de petróleo, aceites penetrantes, etc., lleguen a tocar las piezas de plástico. Las sustancias químicas pueden dañar, debilitar o destruir el plástico, lo cual a su vez podría producir lesiones corporales serias.

LUBRICACIÓN PARA LA BOMBA

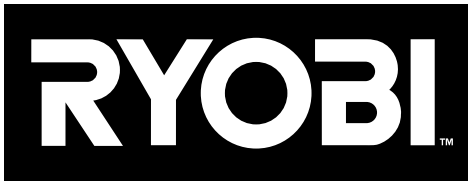
La bomba de esta herramienta están lubricado con suficiente cantidad de aceite de alta calidad para toda la vida útil de la unidad en condiciones normales de funcionamiento. Por lo tanto, no se necesita lubricación adicional.

GUARDADO DE LA LIMPIADOR ELÉCTRICO

Guarde la unidad en un lugar seco y cubierto, en el cual no pueda resultar dañada a la intemperie.

Es importante guardar este producto en un área protegida contra la congelación. Siempre vacíe todas las mangueras, y la bomba antes de guardar la unidad.

- Retire el paquete de baterías y almacena en una ubicación segura fuera del alcance de niños.
- Desconecte todas las mangueras. Antes de retirar la batería, presione el interruptor para drenar toda el agua del limpiador.
- Enrolle la manguera de sifón en forma prolija y almacénela con la correa de gancho y lazada.
- Incline la unidad como se muestra para permitir que cualquier remanente de agua en la bomba desagote por la entrada de agua.
- Presione el botón en el limpiador eléctrico y tire para quitar la tubo. Almacene la varilla rociadora y el mango de gatillo desarmados en su área de almacenamiento.
- Guarde la unidad y los accesorios en un área que esté protegida contra las temperaturas bajo cero. No la guarde cerca de hornos u otras fuentes de calor que pueda secar los sellos de la bomba.



OPERATOR'S MANUAL

MANUEL D'UTILISATION
MANUAL DEL OPERADOR

18 V EZCLEAN 600 PSI POWER CLEANER

NETTOYEUR ÉLECTRIQUE PORTATIF EASY CLEAN 600 PSI DE 18 V

LIMPIADOR ELÉCTRICO EASY CLEAN 600 PSI DE 18 V

RY121850

- **PARTS AND SERVICE:** Prior to requesting service or purchasing replacement parts, please obtain your item, manufacturing, and serial numbers from the product data plate.

ITEM NO.* _____ MANUFACTURING NO. _____

SERIAL NO. _____

* Model/item number on product may have additional letters at the end. These letters designate manufacturing information and should be provided when calling for service.

HOW TO OBTAIN REPLACEMENT PARTS: Replacement parts can be purchased online at www.ryobitools.com or by calling 1-800-525-2579. Replacement parts can also be obtained at one of our service centers.

HOW TO LOCATE A SERVICE CENTER: Service centers can be located online at www.ryobitools.com or by calling 1-800-525-2579.

HOW TO OBTAIN CUSTOMER OR TECHNICAL SUPPORT: To obtain customer or technical support please contact us at 1-800-525-2579.

RYOBI is a trademark of Ryobi Limited and is used pursuant to a license granted by Ryobi Limited.

- **PIÈCES ET SERVICE :** Avant de faire la demande de service ou l'achat de pièces de remplacement, veuillez obtenir le numéro d'article, le numéro de fabrication et le numéro de série à partir de la plaque de données du produit.

NUMÉRO D'ARTICLE* _____ NUMÉRO DE FABRICATION _____

NUMÉRO DE SÉRIE _____

* Le numéro de modèle/article sur le produit peut contenir des lettres supplémentaires à la fin. Ces lettres désignent les informations du fabricant et doivent être fournies lors d'un appel de demande de service.

COMMENT OBTENIR LES PIÈCES DE REMPLACEMENT : Les pièces de remplacement peuvent être achetées en ligne sur le site www.ryobitools.com ou par téléphone au 1-800-525-2579. Les pièces de remplacement peuvent être obtenues à un de nos centres de service.

COMMENT TROUVER UN CENTRE DE SERVICE : Les centres de service peuvent être localisés en ligne au www.ryobitools.com ou en téléphonant au 1-800-525-2579.

COMMENT OBTENIR DE L'AIDE EN CONTACTANT LE SERVICE À LA CLIENTÈLE : Pour contacter le service à la clientèle pour une question technique ou pour tout autre renseignement, veuillez nous téléphoner au 1-800-525-2579.

RYOBI est une marque de Ryobi Limited et est utilisée en vertu d'une licence accordée par Ryobi Limited.

- **PIEZAS DE REPUESTO Y SERVICIO:** Antes de solicitar servicio técnico o comprar piezas de repuesto, obtenga su número de artículo, el número de fabricación y el número de serie de la placa de datos del producto.

NÚMERO DE ARTÍCULO* _____ NÚMERO DE FABRICACIÓN _____

NÚMERO DE SERIE _____

* El número de modelo/artículo que figura en el producto podría tener letras adicionales al final. Estas designan información de fabricación y deben suministrarse cuando llame para obtener asistencia o servicio.

CÓMO OBTENER PIEZAS DE REPUESTO: Las piezas de repuesto se pueden comprar en nuestro sitio en la red mundial, en la dirección www.ryobitools.com o llamando al 1-800-525-2579. Las piezas de repuesto también se pueden obtener en uno de nuestros centros de servicio.

CÓMO LOCALIZAR UN CENTRO DE SERVICIO: Puede encontrar los centros de servicio visitando nuestro sitio en la red mundial, en la dirección www.ryobitools.com or by calling 1-800-525-2579.

CÓMO OBTENER SERVICIO O ASISTENCIA TÉCNICA AL CONSUMIDOR: Para obtener servicio o asistencia técnica al consumidor, sírvase comunicarse con nosotros llamando al 1-800-525-2579.

RYOBI es una marca de Ryobi Limited y se utiliza conforme a una licencia otorgada por Ryobi Limited.

TECHTRONIC INDUSTRIES POWER EQUIPMENT

998000342
2-24-21 (REV:01)

P.O. Box 1288, Anderson, SC 29622 USA
1-800-525-2579 • www.ryobitools.com