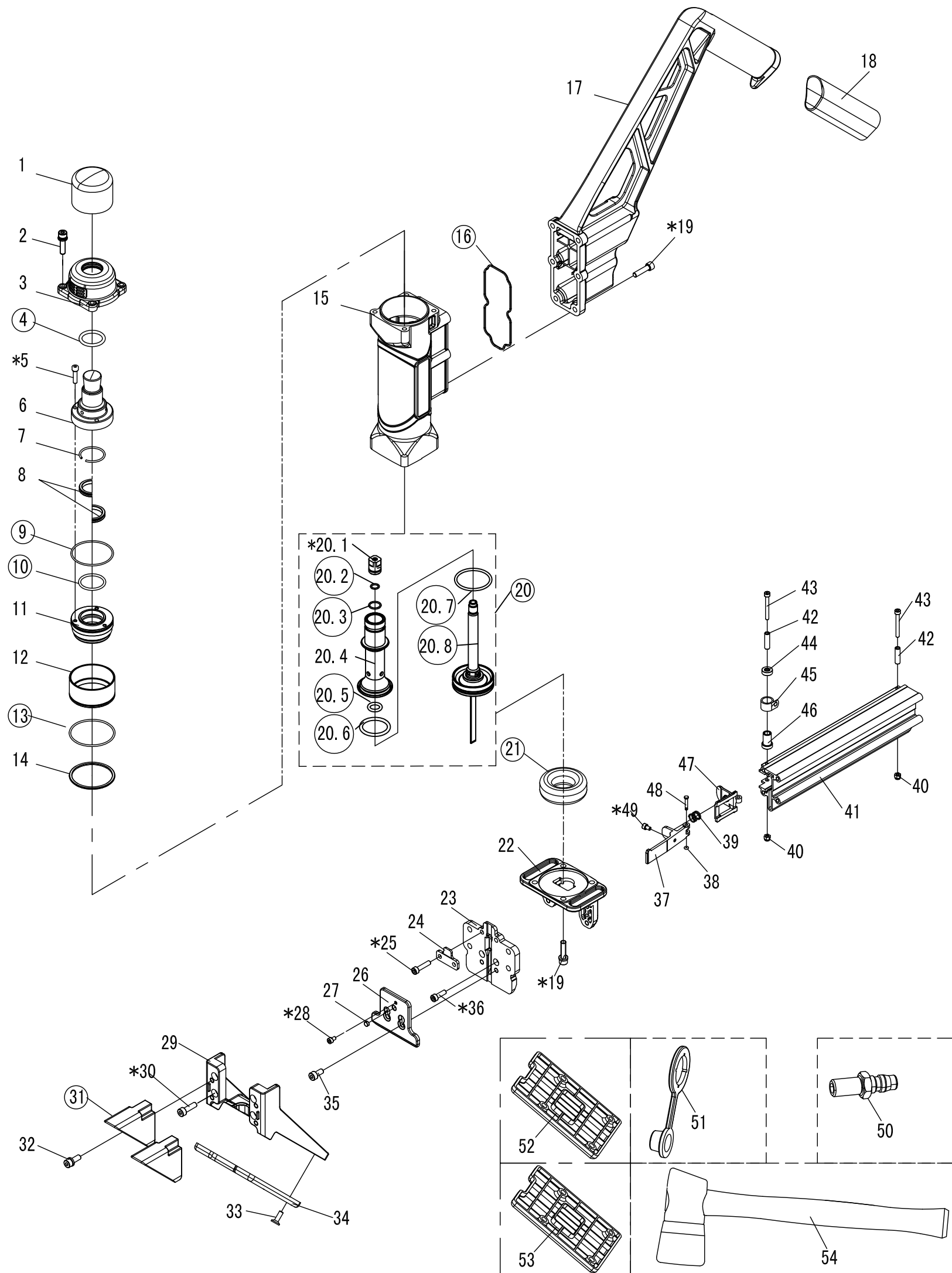


FREEMAN PF1618GLCN-REPAIR KITS



KIT MODEL	KIT DESCRIPTION	PART NUMBERS
	REBUILD O-RING KIT	4、9、10、13、16
	DRIVE BLADE AND BUMPER KIT	20,21
	REPLACEMENT 3/8" or 1/2" BASE PLATE	53
	REPLACEMENT 5/8" or 9/16" BASE PLATE	34
	REPLACEMENT 3/4" BASE PLATE	52
	REPLACEMENT NO-MAR FOOT	31