

If this equipment does cause harmful interference to radio or television reception, which can be determined by turning the equipment off and on, the user is encouraged to try to correct the interference by one or more of the following measures:

- Reorient or relocate the receiving antenna.
- Increase the separation between the equipment and receiver.
- Connect the equipment into an outlet on a circuit different from that to which the receiver is connected.
- Consult the dealer or an experienced radio/TV technician for help.

CAUTION:

Any changes or modifications not expressly approved by the grantee of this device could void the user's authority to operate the equipment. This device complies with Part 15 of the FCC Rules. Operation is subject to the following two conditions: (1) This device may not cause harmful interference, and (2) this device must accept any interference received, including interference that may cause undesired operation.

This device contains licence-exempt transmitter(s)/receiver(s) that comply with Innovation, Science and Economic Development Canada's licence-exempt RSS(s). Operation is subject to the following two conditions:

1. This device may not cause interference.
2. This device must accept any interference, including interference that may cause undesired operation of the device.

5 YEAR LIMITED WARRANTY

"Thank you" for purchasing our product. It is our policy to furnish you with high quality products at a fair price. With proper installation your fan should provide you with years of money saving comfort.

This fan is guaranteed to be free from defects in workmanship and Material for a period of five (5) years from date of purchase. Within the first (1) year from date of purchase any defective product should be returned to your **RETAIL OUTLET** along with proof of purchase. For the balance of the warranty, four (4) years, the **MOTOR WINDINGS ONLY** shall be free of defects. We will correct such defects or replace the motor assembly at our option if the product is returned, **FREIGHT PREPAID**, to us. The returned fan must be accompanied by your proof of purchase and a cheque for \$20.00 for handling and labour charges. All costs of removing and re-installing the product are **YOUR RESPONSIBILITY** damage to any part as such by accident, misuse, improper installation or by affixing any accessories **IS NOT** covered by this warranty. As a result of varying climatic conditions in our area this warranty does not cover any changes in finishes, including rusting, pitting, corroding, tarnishing or peeling.

WARRANTY VOID: In cases of alteration, abuse, installation not in accordance with instructions or REMOVAL of the CSA Sticker.

11/16



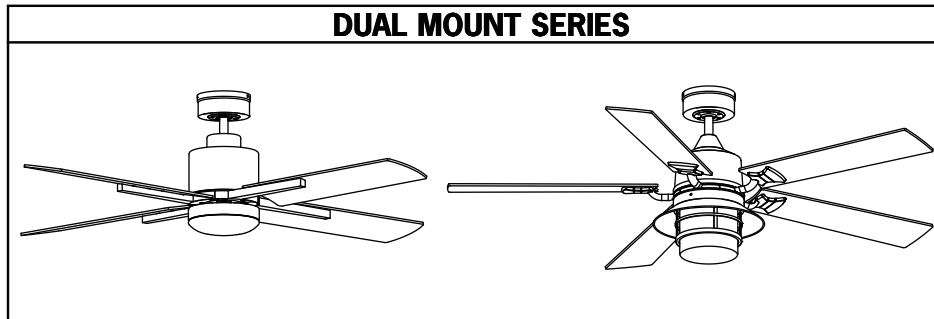
Questions or Concerns Contact At The Following Numbers Before Returning Product To The Store:

1-800-265-1833 (English) / 1-800-567-2513 (French)

Monday through Friday 8:00 AM to 5:00 PM E.S.T.

INSTALLATION INSTRUCTIONS

DUAL MOUNT SERIES



"INSTRUCTIONS PERTAINING TO RISK OF FIRE OR INJURY TO PERSONS"
"READ ALL INSTRUCTIONS"



"IMPORTANT SAFETY INSTRUCTIONS"
"SAVE THESE INSTRUCTIONS"

INSTALLATION AND WIRING TO BE IN ACCORDANCE WITH CEC, NEC, LOCAL ELECTRICAL CODES and ANSI/NFPA 70.
Consult a qualified electrician if you are not familiar with wiring.

TOOLS AND MATERIALS REQUIRED

- Philips Screw Driver
- Step Ladder
- Blade Screw Driver
- Wire Cutters
- Wiring supplies as required by electrical code.

NOTE: FOR OPTIMUM QUIETNESS, FULLY ASSEMBLE FAN AND RUN 24 HOURS

2157 Parkedale Ave.,
Brockville, Ontario
K6V 5V6
PH: (613) 342-5424
FX: (613) 342-8437

2555 Rue Bernard
Lefebvre Laval, Quebec
H7C 0A5
PH: (450) 665-2535
FX: (450) 665-0910

SAFETY PRECAUTIONS

1. Turn off power at main electrical service box before starting installation.
2. Electrical connections must comply with local code ordinances, national electrical codes, CEC, NEC and ANSI/NFPA 70.
3. Make sure the installation site you choose allows the fan blades to rotate freely without any obstructions.
4. When mounting the fan on a ceiling outlet box, Use an approved (CSA for Canada and UL for U.S.) ceiling fan box marked "**FOR FAN SUPPORT**". Ensure the outlet box is securely installed in place such that it is able to support at least the fan weight.
5. **WARNING:** To reduce the risk of fire, electric shock, or personal injury, mount fan only to an outlet box marked acceptable for fan support and use mounting screws provided with the outlet box. Most outlet boxes commonly used for the support of lighting fixtures are not acceptable for fan support and may need to be replaced. Consult a qualified electrician if in doubt.
6. Total Fan Weight For Reference: 52" approximate 9.5 kgs(20.95lbs).

WARNING

- To reduce the risk of fire or electrical shock, ONLY use model CQ006 remote control for optional remote control adaptability.
- **WARNING: TO REDUCE THE RISK OF FIRE, ELECTRIC SHOCK, OR PERSONAL INJURY, MOUNT TO OUTLET BOX MARKED ACCEPTABLE FOR FAN SUPPORT AND USE MOUNTING SCREWS PROVIDED WITH THE OUTLET BOX.**
- Mount with the lowest moving parts at least 2.10 Meters (7 Feet) above floor or grade level.
- **DO NOT** operate reversing switch while fan blades are in motion. Fan be turned off and rotating blades stopped, reverse chain pulled, the speed must chain pulled again to start in the opposite direction.
- **WARNING: TO REDUCE THE RISK OF INJURY TO PERSONS, ENSURE THE FAN LOWER COVER IS SECURELY ATTACHED ON THE FAN UPPER COVER BEFORE USE.**

INSTRUCTIONS

The slide switch is for forward/reverse rotation.

In cold weather: Set to reverse rotation (clockwise). Airflow will be directed upward, circulating warm air.

In warm weather: Set to forward rotation (counter-clockwise). Airflow will be directed downward, circulating cold air.

REMOTE CONTROL

Install 9 V battery (not included). Operation buttons on the remote:

- | | |
|--|--|
| 1 - Fan high speed | 2 - Fan medium speed |
| 3 - Fan low speed | 0 - Fan off |
|  - Light on/off |  - Light dimmer |

*Hold down to increase or decrease the light.

The light has a memory function so the light will stay at the same brightness as the last time it was turned off.

2. Fan sounds noisy
 - Check to make sure that all screws in motor housing are snug.
 - Check to make sure that blade bracket screws are tight.
 - Check to make sure that wire nuts in switch housing are not rattling against wall of switch housing.
 - If fan has a light kit make sure switch housing screws and set screws are tight.
 - Some fan motors are sensitive to signals from solid state variable controls. If solid state controller is used, change to an alternative control. (See a representative for a list of available controls.)
 - Allow a 24 hour break in period to eliminate most noises.
3. Fan wobbles or shakes excessively.
 - Check that all blades are screwed firmly into blade brackets.
 - Check that blade brackets are secured firmly to motor.
 - Check distance from tip of blades to ceiling.
 - Check distance between blade tip to blade tip. All measurements should be equal. Loosen blade screws and position blade until even then re-tighten.
 - Check that the downrod hemisphere notch is engaged in canopy.
 - Check to make sure that jam screws in downrod are tightened.
 - Make sure canopy and mounting bracket are tightened securely to wooden joist.
 - Make sure warpage has not occurred in fan blades. If so, contact the customer service department for replacement parts.

Supplier's Declaration of Conformity 47 CFR § 2.1077 Compliance Information

Unique Identifier: CANARMNA

Responsible Party

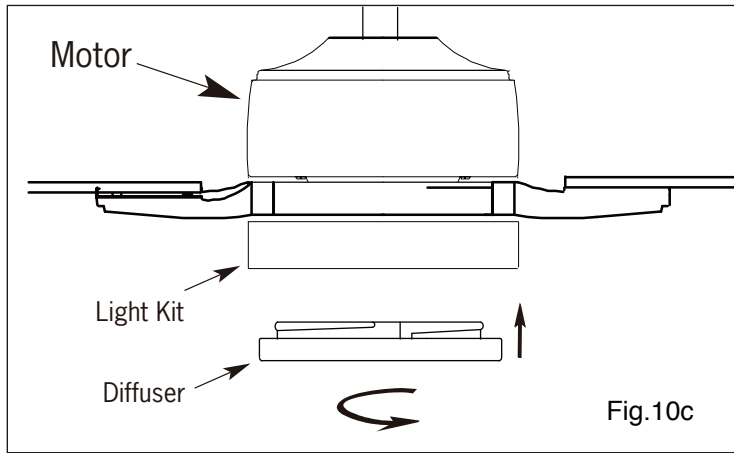
CanarmInc.

808 Commerce Park Drive, Ogdensburg, New York, USA 13669

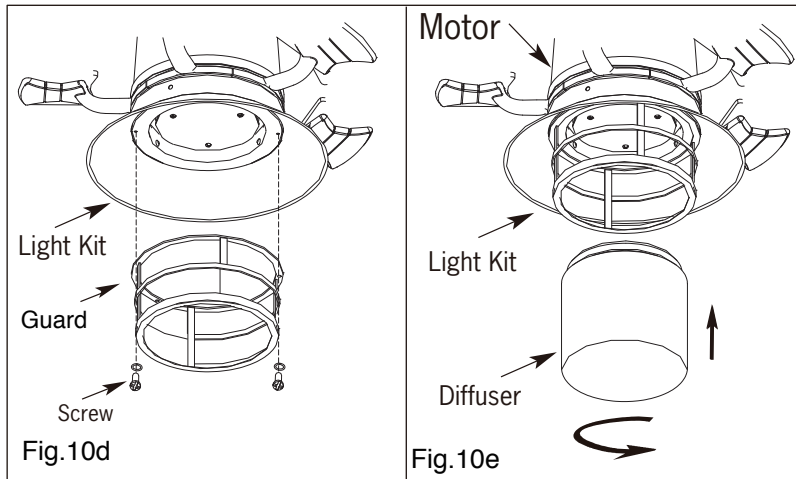
1-800-267-4427

This equipment has been tested and found to comply with the limits for a Class B digital device, pursuant to Part 15 of the FCC Rules. These limits are designed to provide reasonable protection against harmful interference in a residential installation. This equipment generates, uses and can radiate radio frequency energy and, if not installed and used in accordance with the instructions, may cause harmful interference to radio communications. However, there is no guarantee that interference will not occur in a particular installation.

8. LIGHT KITS



Install the guard to the light kit by the tightening 2 screws and washers. Screw the diffuser to the light kit.



WARNING: Ensure that all connections, set screws and screws are securely tightened before the next step.

To clean the fixture, turn off the power, wait for it to cool, and wipe the fixture with a clean, soft cloth.

TROUBLESHOOTING

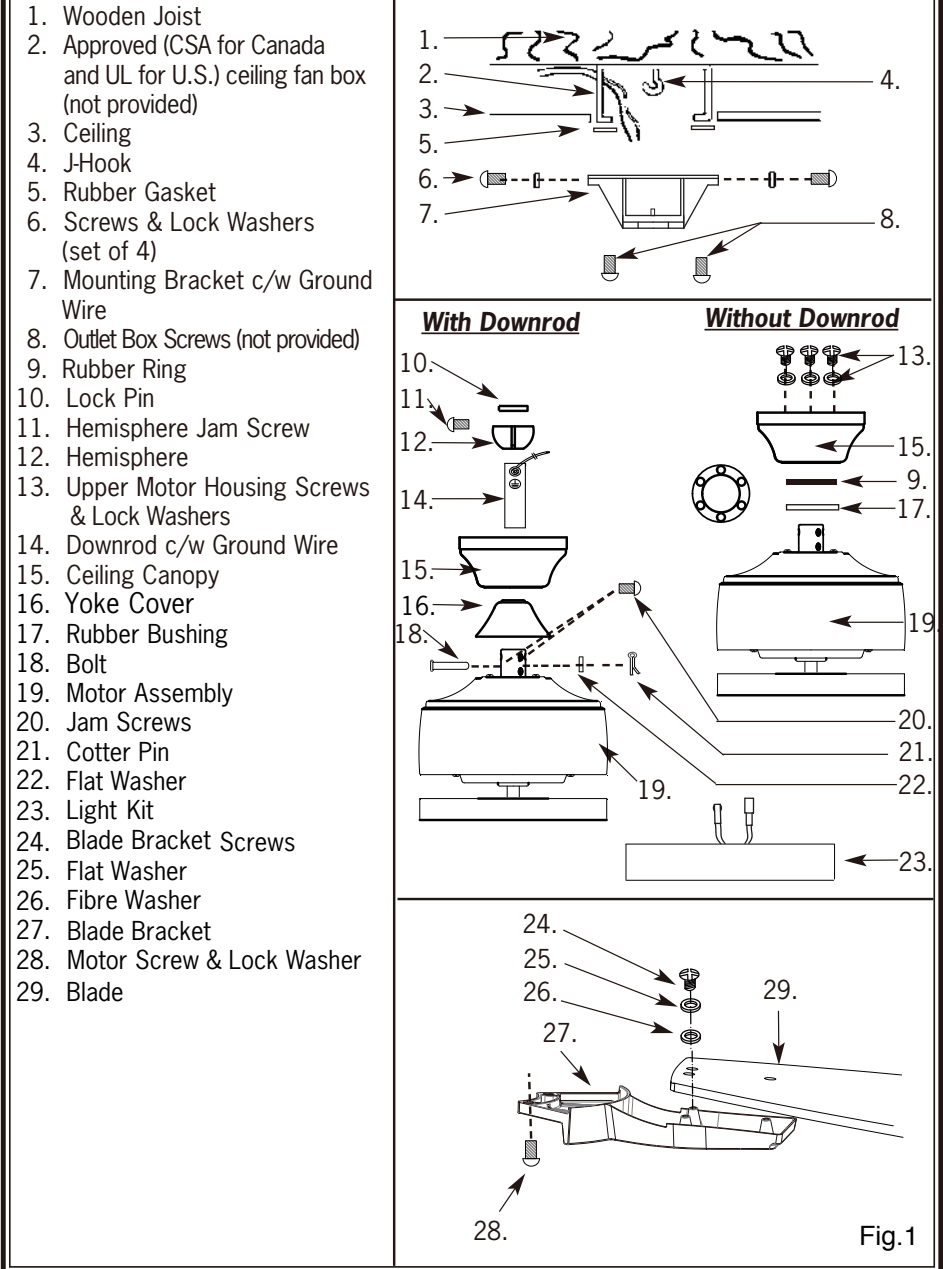
TROUBLE

SUGGESTIONS

1. Fan will not start
 - Check fuses and circuit breakers.
 - Check wiring connections to fan.
 - Check wiring connections in switch housing.

CAUTION: Turn power off for last two items.

ASSEMBLY DRAWING



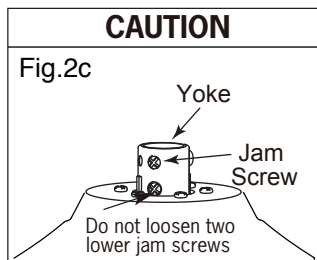
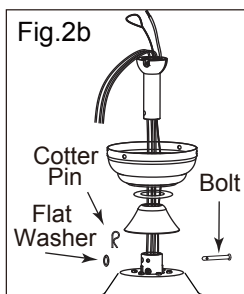
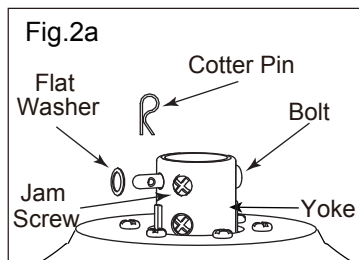
INSTALLATION

NOTE: All set screws must be checked and retightened where necessary, before and after installation.

1. MOUNTING OPTION

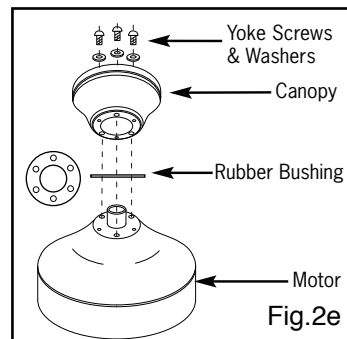
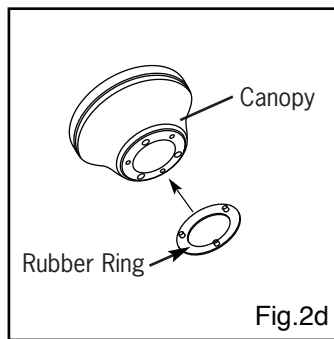
A DOWNROD MOUNT

- Using a Philips screwdriver loosen the two upper jam screws on the yoke.
- Position downrod inside canopy.
- Route wires exiting yoke on motor through ceiling canopy and downrod.
- Position downrod/canopy into yoke and align holes in yoke and downrod.
- Insert bolt through hole in yoke and downrod. **Be careful not to damage or cut the fan wires.**
- Tighten flat washer, lock washer, and nut and bolt (**not included on some models**). Secure with cotter pin through hole in the end of the bolt.
- Secure downrod in position by tightening upper jam screws.



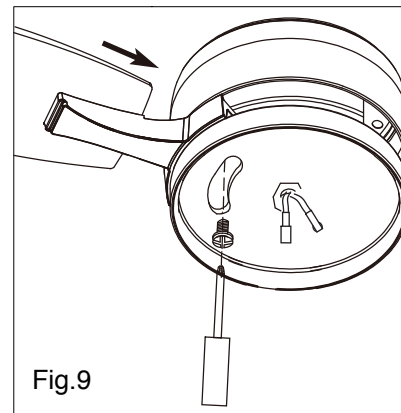
B FLUSH MOUNT

- Optional for some models - Remove rubber ring from canopy (see Fig. 2d)
- Remove the yoke screws and lockwashers which correspond to the holes in the canopy.
- Position canopy over the holes on motor and secure with the same screws and lockwashers removed in the previous step. Ensure to place the rubber bushing between the canopy and motor.



7. MOUNTING BLADES TO MOTOR

- Insert the blade arm into the fan as shown.
- Tighten the blade arm to motor with the screw and lock washer as shown.
- Slightly turn the blade after installation and repeat the same step for the other blades.



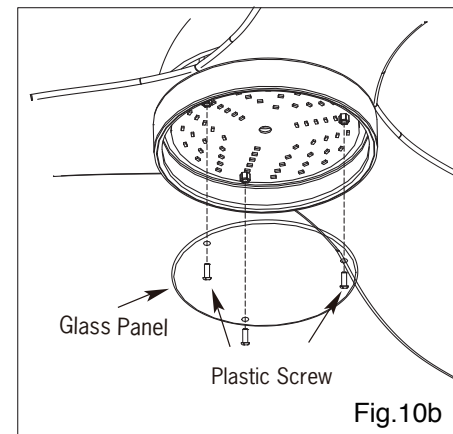
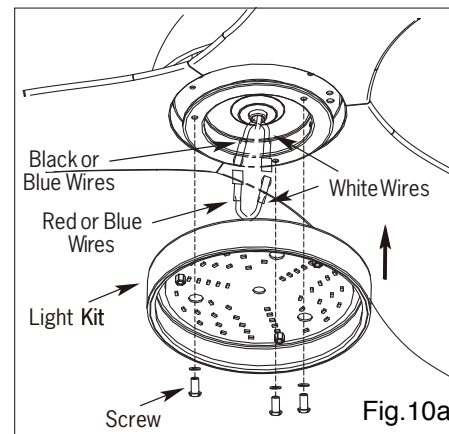
8. LIGHT KITS

DETACHABLE LIGHT KITS (Refer to one of the following light kits for your model)

- Remove light kit screws and washers.
- Connect polarized connectors of light kit to corresponding connectors found in switch housing.

WARNING: BE SURE TO TURN OFF POWER BEFORE INSTALLING

- Connect - polarized connectors of light kit to corresponding connectors found in switch housing.
- Install the light kit to the fan motor assembly by tightening 3 screws and washers.
- Remove the 3 plastic screw from light kit.
- Install the glass panel on the light kit by tightening the 3 plastic screws.
- Screw the diffuser to the Light kit.



4.

MOUNTING FAN ASSEMBLY

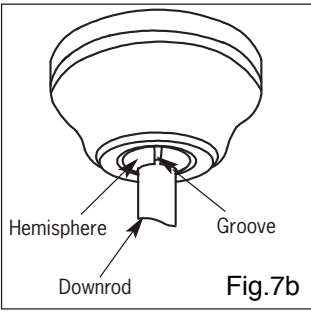
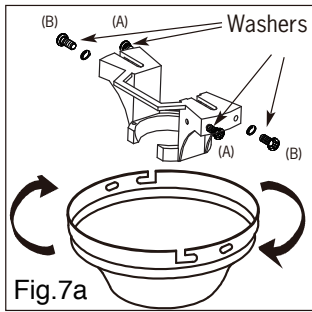
- Place two screws and washers on mounting bracket (marked B on diagram) which correspond with slots in canopy. Screw in two turns.
- Position canopy to mounting bracket aligning slots to screws (marked B on diagram) then turn to lock.
- Position and tighten the two screws and washers (marked A on diagram) then tighten the two screws (marked B on diagram).

5.

ENGAGE HEMISPHERE (Downrod Mount Only)

- Carefully rotate fan assembly until groove in hemisphere locks over tab of canopy assembly.

WARNING: Failure to seat tab in groove could cause damage to electrical wires and possible shock or fire hazard.

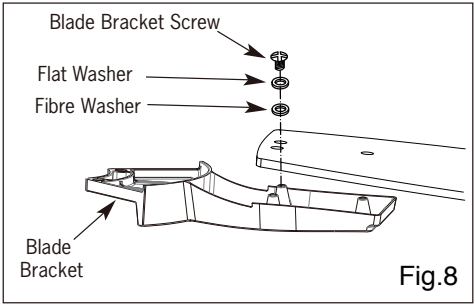


NOTE: When installing fan on sloped ceiling, make sure tab on hanger bracket faces towards the top of the slope. Depending on the slope, a longer downrod may be required to prevent fan blades from hitting the ceiling.

6.

MOUNT BLADE BRACKETS TO BLADES

- Place blade bracket screw through flat washer, fibre washer and blade.
- Align with corresponding hole in blade bracket.
- Repeat with (2) remaining screws and tighten.



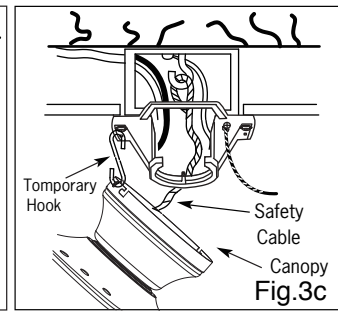
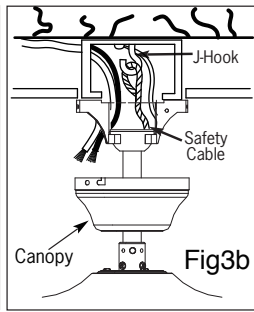
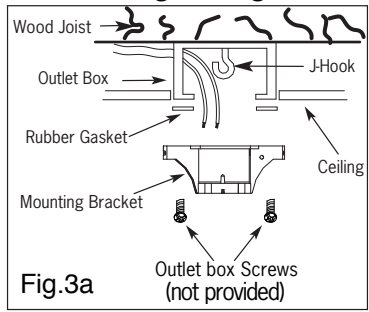
2.

INSTALL MOUNTING BRACKET

WARNING: To Reduce The Risk Of Fire, Electric Shock, Or Personal Injury, Mount To UL/CSA Listed Outlet Box Marked Acceptable for Fan Support And Use Mounting Screws Provided With The Outlet Box.

- Install J-Hook through centre of outlet box and into the wooden joist.
- Secure mounting bracket and rubber gaskets to outlet box.
- Hang the safety cable onto the J-hook.
- Hang fan on temporary hook or mounting bracket.

Diagram Fig.3b is for Downrod Mount. Diagram Fig.3c is for Flush Mount.



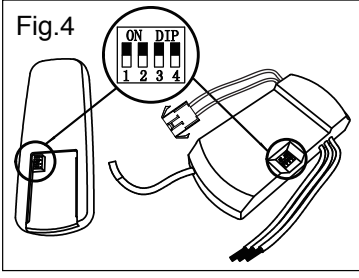
3.

ELECTRICAL HOOK-UP

- This fan is equipped with a remote control unit for controlling the fan speeds and light kit.

A

- Setting the code on the hand-held remote and the receiver.
- remove the battery cover on the hand-held remote (Press firmly below the arrow and slide the battery cover off).
- set code switches to desired position.
- set the code switches to the same positions on the receiver as set on the remote.



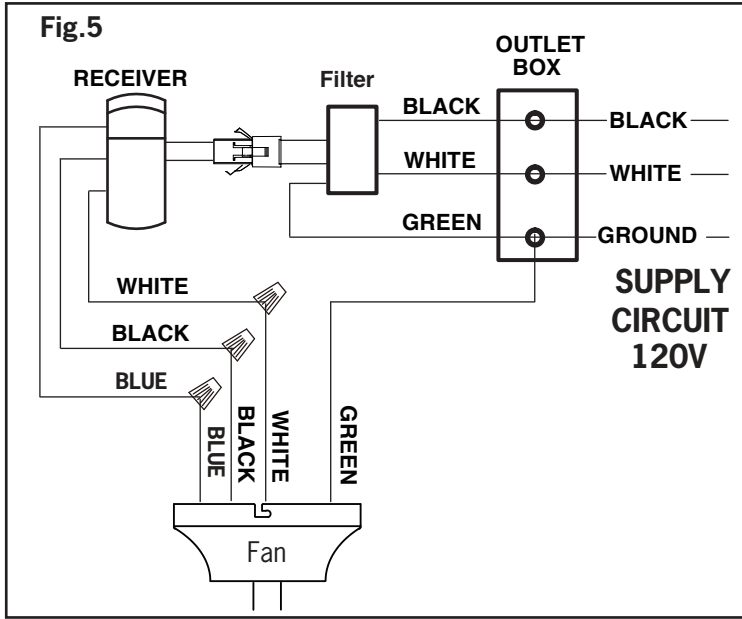
B

- Make the following wire connections to the receiver unit (see fig. 5) using the wire nuts supplied.
- connect the male and female plug from the filter and the receiver.
- connect GREEN fan wire to BARE (ground) wire.
- connect BLACK receiver unit wire to BLACK supply wire.
- connect WHITE receiver unit wire to WHITE supply wire.
- connect WHITE receiver unit wire (MOTOR N) to WHITE fan wire.
- connect BLACK receiver unit wire (MOTOR L) to BLACK fan wire.
- connect BLUE receiver unit wire (FOR LIGHT) to BLUE light wire.
- After making the wire connections, ensure the wires should be spread apart with the grounded conductor and the equipment-grounding conductor on one side of the outlet box and the ungrounded conductor on the other side of the outlet box.
- Ensure the splices after being made should be turned upward and pushed carefully up into the outlet box.

3.

ELECTRICAL HOOK-UP

B

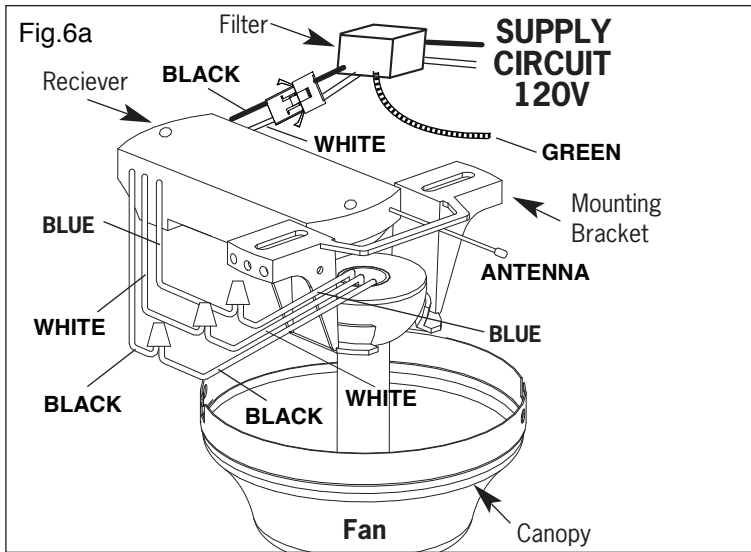


In Quebec, the installation of this product must be carried out by a qualified electrician.

NOTE: Once ground wires are connected, carefully tuck all wires and wire nuts into the metal outlet box making sure that the wires are clear of the hemisphere and downrod when positioned in mounting bracket.

C

- Push all connected wires up into ceiling box.
- Position the receiver into the canopy as shown direction.



3.

ELECTRICAL HOOK-UP

C

