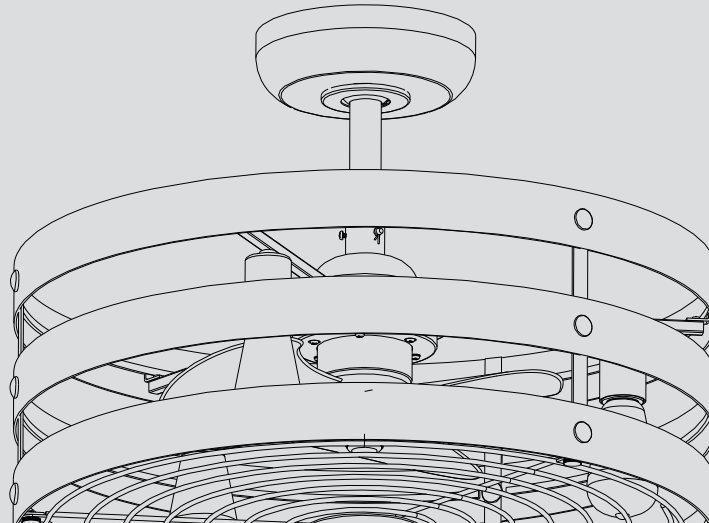




GULLIVER Ceiling Fan Installation Manual



Limited Lifetime Warranty

Progress Lighting fan motors are warranted to the original purchaser to be free of electrical and/or mechanical defects for so long as the original purchaser owns the fan. Pull chain switches, reverse switches, capacitors and metal finishes are warranted to be free from defects in materials or workmanship for a period of 1 year from the date of purchase. Warping of wooden or plastic des is not covered by this warranty nor is corrosion and/or deterioration of any finishes for fans installed within ten miles of sea coast. Extended warranties for ENERGY STAR® qualified products may apply.

Progress Lighting ceiling fans with built-in LED light sources, when properly installed and under normal conditions of use, are warranted to be free from defects in material and workmanship which cause the light sources to fail to operate in accordance with the specifications for (i) five (5) years from the date of purchase on the LED Light modules and electrical components for use in single family residences, and (ii) three (3) years from the date of purchase on the LED Light modules and electrical components for fans used in multi-family or commercial applications. LED bulbs supplied by Progress Lighting carry no warranty other than manufacturer's warranty. Non-LED bulbs carry no warranty.

With proof of purchase, the original purchaser may return the defective fan to the place of purchase during the first 30 days for replacement. After 30 days, the original purchaser MUST contact Progress Lighting at (864) 678-1000 for repair or replacement which shall be determined in Progress Lighting's sole discretion and shall be purchaser's sole and exclusive remedy.

Labor and Shipping Excluded. This warranty does not cover any costs or fees associated with the labor (including, but not limited to, electrician's fees) required to install, remove, or replace a fan or any fan parts.

This warranty shall not apply to any loss or damage resulting from (i) normal wear and tear or alteration, misuse, abuse or neglect, or (ii) improper installation, operation, repair or maintenance by original purchaser or a third party, including without limitation improper voltage supply or power surge, use of improper parts or accessories, unauthorized repair (made or attempted) or failure to provide maintenance to the fan.

THE FOREGOING WARRANTIES STATE PROGRESS LIGHTING'S ENTIRE WARRANTY OBLIGATION AND ORIGINAL PURCHASER'S SOLE AND EXCLUSIVE REMEDY RELATED TO SUCH PRODUCTS. PROGRESS LIGHTING IS NOT RESPONSIBLE FOR DAMAGES (INCLUDING INDIRECT, SPECIAL, INCIDENTAL OR CONSEQUENTIAL), DUE TO PRODUCT FAILURE, WHETHER ARISING OUT OF BREACH OF WARRANTY, BREACH OF CONTRACT, OR OTHERWISE. THIS WARRANTY IS GIVEN IN LIEU OF ALL OTHER WARRANTIES, WHETHER EXPRESSED OR IMPLIED, INCLUDING THOSE OF MERCHANTABILITY, FITNESS FOR A PARTICULAR PURPOSE OR NONINFRINGEMENT.

This warranty does not allow limitations on how long an implied warranty lasts or the exclusion or limitations of incidental or consequential damages, so the above limitations and exclusions may not apply to you. This warranty gives you specific rights and you may have other rights which vary from state to state.

Safety Rules.....

Unpacking Your Fan

Installing Your Fan

Operating Your Transmitter

Care of Your Fan

Troubleshooting

Specifications

Table of

To reduce the risk of electric shock, insure electricity has been turned off at the circuit breaker or fuse box before beginning.

All wiring must be in accordance with the National Electrical Code and local electrical codes. Electrical installation should be performed by a qualified licensed electrician.

WARNING: To reduce the risk of electrical shock and fire, do not use this fan with any solid-state fan speed control device.

WARNING: To reduce the risk of fire, electric shock, or personal injury, mount to outlet box marked "Acceptable for Fan Support of 15.9 kg (35 lbs.) Or Less" and use mounting screws provided with the outlet box. Most outlet boxes commonly used for the support of light fixtures are not acceptable for fan support and may need to be replaced. Due to the complexity of the installation of this fan, a qualified licensed electrician is strongly recommended.

WARNING
TO REDUCE THE RISK OF FIRE, ELECTRIC SHOCK OR PERSONAL INJURY, MOUNT FAN TO OUTLET BOX MARKED ACCEPTABLE FOR FAN SUPPORT.

The outlet box and support structure must be securely mounted and capable of reliably supporting a minimum of 35 lbs (15.9 kg) or less. Use only cUL-listed outlet boxes marked FOR FAN SUPPORT.

The fan must be mounted with a minimum of 7 ft (2.1m) clearance from the bottom of the fan guard to the floor.

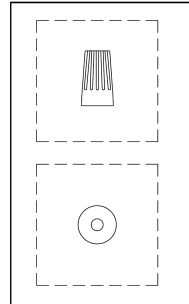
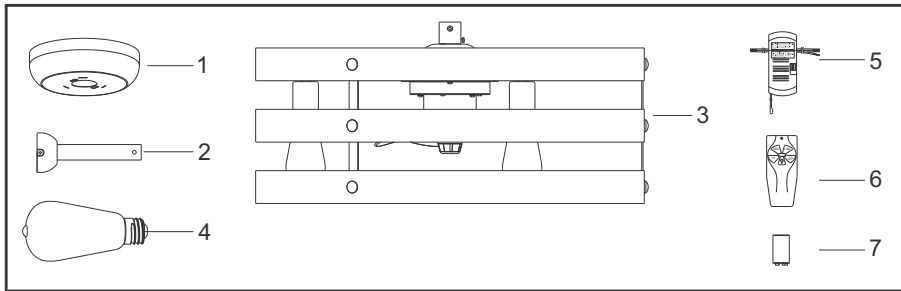
Avoid placing objects in the path of the blades.

8. To avoid personal injury or damage, be cautious when working around or cleaning the fan.
9. Do not use water or detergents when cleaning. Use a dry dust cloth or lightly dampened cloth for cleaning.
10. After making electrical connections, the fan should be turned upward and pushed carefully. The fan blades should be spread apart with the fan guard. The equipment-grounding conductor on the fan should be connected to the equipment-grounding conductor on the outlet box.
11. Electrical diagrams are for reference only. All wiring with the fan must be cUL Listed and approved for the model fan you are installing. Switches should be labeled. Refer to the Instructions package for more information on Switches. Refer to the Instructions package for more information on Switches.

WARNING
TO REDUCE THE RISK OF PERSONAL INJURY, READ THE INSTRUCTIONS FOR BLADE ARMS (ALSO REFERRED TO AS FAN GUARD) BEFORE ASSEMBLY OR AFTER INSTALLATION. DO NOT PLACE ANY OBJECTS IN THE PATH OF THE BLADES.

NOTE
READ AND SAVE ALL INSTRUCTIONS.

1. Safety Rules



unpack your fan and check the contents. You should have the following items:

- Canopy assembly
- Ball/downrod assembly
- Fixture assembly
- LED bulbs (3)

- 5. Receiver
- 6. Transmitter
- 7. 9V battery

- 8. Loose parts
 - a. Mounting bracket
 - b. #8 X 1-1/2" screws
 - c. #8-32 screws
 - d. Flat washers
 - e. Spring washers
 - f. Lock washers

Unpacking Y

Tools Required

Phillips screw driver, straight slot screw driver, adjustable wrench, step ladder, and wire cutters.

Mounting Options

If there isn't an existing cUL listed mounting box, then read the following instructions. Disconnect the power by removing fuses or turning off circuit breakers.

Secure the outlet box directly to the building structure. Use appropriate fasteners and building materials. The outlet box and its support must be able to fully support the moving weight of the fan (at least 35 lbs). Do not use plastic outlet boxes.

WARNING

TO REDUCE THE RISK OF FIRE, ELECTRIC SHOCK, OR OTHER PERSONAL INJURY, MOUNT FAN ONLY TO AN OUTLET BOX MARKED ACCEPTABLE FOR FAN SUPPORT AND USE THE MOUNTING SCREWS PROVIDED WITH THE OUTLET BOX. OUTLET BOXES COMMONLY USED FOR THE SUPPORT OF LIGHTING FIXTURES MAY NOT BE ACCEPTABLE FOR FAN SUPPORT AND MAY NEED TO BE REPLACED. CONSULT A QUALIFIED ELECTRICIAN IF IN DOUBT.

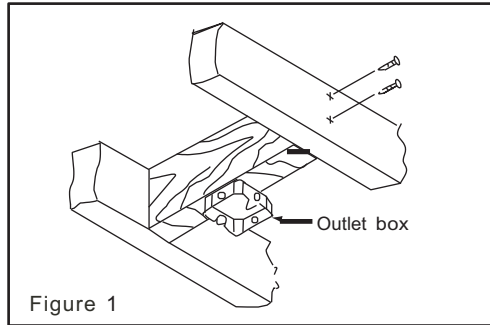


Figure 1

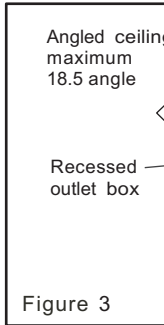


Figure 3

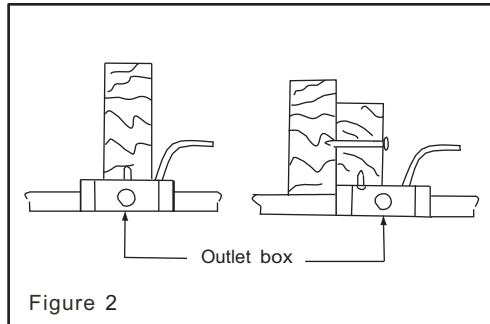


Figure 2

Note: You must maintain proper clearance from a steep, sloped ceiling.

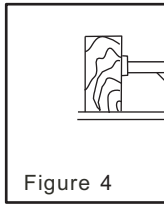


Figure 4

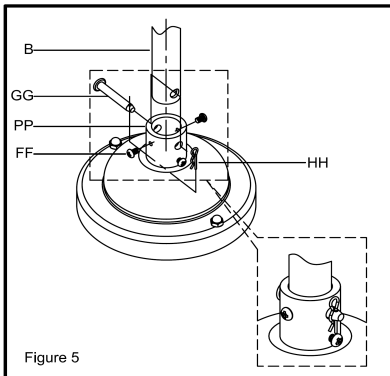
To hang your fan, see the installation manual (available at your local hardware store).

3. Installing Your Fan

hanging the Fan

MEMBER to turn off the power. Follow the steps below to hang your fan properly:

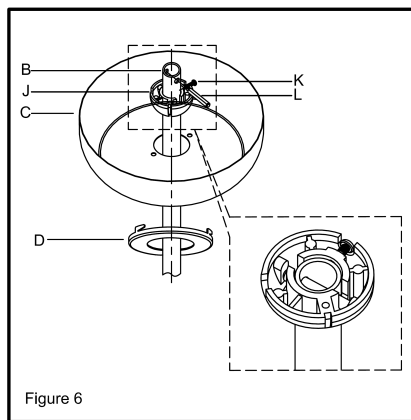
1. Insert the end of downrod (B) through the connector (PP), align the two holes in the downrod (B) and the connector (PP). (Fig.5)
2. Insert a plug pin (GG) through the two holes in the downrod (B) and the connector (PP). (Fig.5)
3. Insert the R-shaped pin (HH) through the hole near the end of the plug pin (GG) until it snaps into its locked position. (Fig.5)
4. Install the screw (FF) to the connector (PP), and make sure it's tighten. (Fig.5)



Step 5. Insert the canopy (C) and metal cover (D) through the downrod (B). (Fig.6)

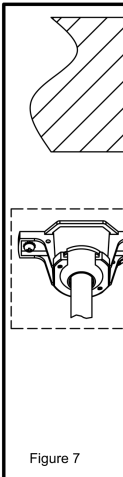
Step 6. Insert the hanger ball (J) through the downrod (B), and then Insert a plug pin (L) through the hole in the downrod (B). (Fig.6)

Step 7. Insert the plug pin to the slot cut off in the hanger ball (J) until it snaps into its locked position. (Fig.6)



Step 8. Install the outlet box by the mounting screws.

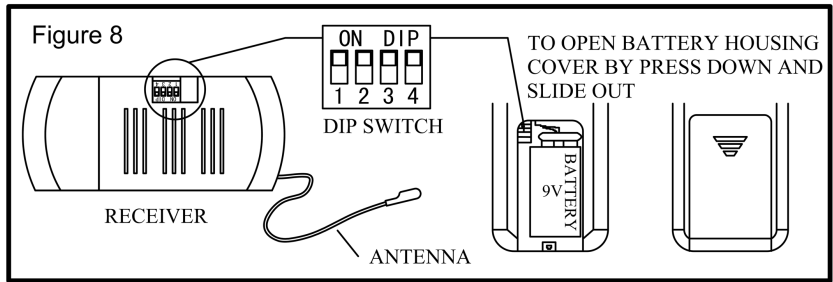
Step 9. Put the fan on the side of the ceiling. Then insert the hanger ball into the ceiling mounting.



Make the Electric Connections

WARNING: To avoid possible electrical shock, be sure electricity is turned off at the main fuse box before wiring.

CODE SWITCH: Codes are set by pushing dip switches up or down. It is imperative that the same code is used for both transmitter and receiver. If different codes are used, the remote controller will not work. Please note the code switch will allow you to operate a second remote controller independently. For example, if you have two ceiling fans with 2 remote controls, set 2 different codes for each set of transmitter/receivers. This means you can operate each ceiling fan independently. Your remote control is ready for use after every installation. (Fig.8)

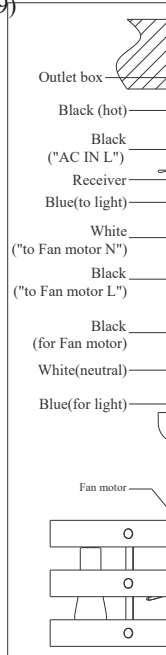


Step 1. Fan motor to Receiver Electrical Connections: Connect the Black wire from the fan motor to Black wire marked "to fan motor L". Connect the White wire from the fan motor to the White wire marked "to fan motor N" from the receiver. Connect the blue wire from the light to the blue wire from the Receiver. Secure wire connections with the plastic wire nuts provided. (Fig. 9)

Step 2. Receiver to House Supply Wires Electrical Connections: Connect the black (hot) wire from the ceiling to the black wire marked "AC in L" from the receiver. Connect the white (neutral) wire from the ceiling to the white wire marked "AC in N" from the Receiver. Secure the wire connections with the plastic wire nuts provided. (Fig. 9)

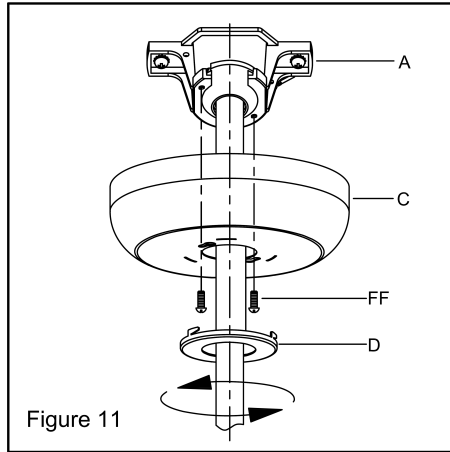
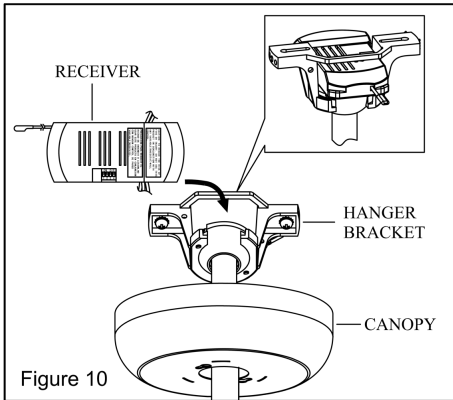
Step 3. If your outlet box has a ground wire (green or bare copper) connect it to the fan ground wires; otherwise connect the hanging

bracket ground wire. Secure the wire connections with the plastic wire nuts provided. After connecting the wires, separate them apart so that they do not touch on one side of the outlet box. The wires are on the outlet box side of the wire connections. (Fig. 9)



5.

4. Once the connection has been made, receiver inserts into the drop rod hanging bracket. The canopy comes up to cover the receiver and bracket. (Fig. 10)



Installing the canopy:

Step 1. Align the locking slots of the canopy (C) with the two screws (FF) in the mounting bracket (A). Push up to engage the slots and to lock in place. (Fig. 11)

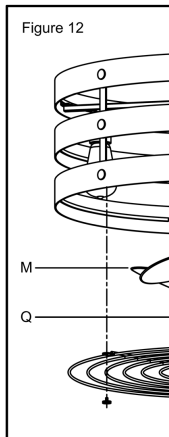
Step 2. Rotate the metal cover (D) clockwise to lock in the bottom of the canopy. (Fig. 11)

Installing me

Step 1. Insert the shaft (U), install 1 after the blade ass 12)

Step 2. Screw light sockets. (Fig. 12)

Step 3. Align the grill (G) with three fixture (E). Push u lock in place. (Fig.



6.

ACTIONS OF TRANSMITTER:

OFF : Turn off the ceiling fan.

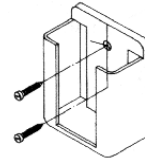
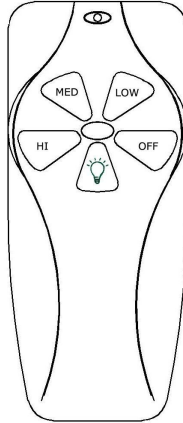
HI : Turn on the fan at high speed.

MED : Turn on the fan at medium speed.

LOW : Turn on the fan at low speed.

ON/OFF : Press and release immediately to turn on or off the light.

DIMMER(If any)- Press and hold on to dimmer righten the light.



Installation of Transmitter Wall Mount Holder with two screws.

The Reverse slide switch is located on the back of the transmitter housing. Slide the switch to the 'Cool' position for cool weather operation.

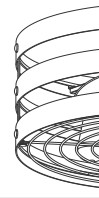
NOTE: Wait for 10 seconds after the slide switch is moved to the 'Cool' position.

Speed settings for the fan are affected by factors such as the number of fans, etc.

Warm weather - (Cool) - This setting creates a cooling effect and allows you to set the fan speed without affecting the fan's performance.

Cool weather - (Warm) - This setting allows you to set the fan speed without affecting the fan's performance.

Figure 13



7. Operating Your Transmitter

Disassembling Your Fan

This fan comes with a pre-assembled the blade and front guard for your easy installation. Check that all screws are tight and securely in place.

Use a lint free lightly damp cloth or duster to remove dust from the blades.

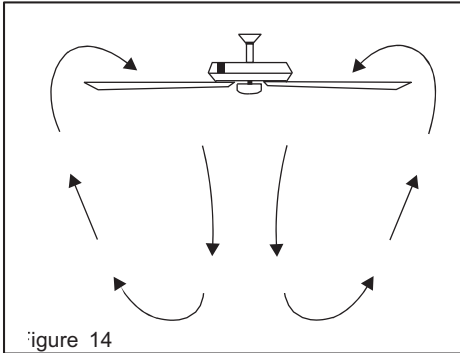


figure 14

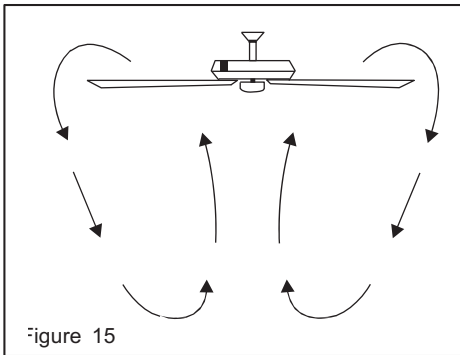


figure 15

Here are some suggestions to help you maintain your fan.

Because of the fan's natural movement, some connections may become loose. Check the support connections, brackets, and blade attachments once a year. Make sure they are secure. (It is not necessary to remove fan from ceiling.)

Clean your fan periodically to help maintain its new appearance over the years. Use only a soft brush or dust-free cloth to avoid scratching the finish. The ceiling is sealed with a lacquer to minimize discoloration or tarnishing. Do not use water when cleaning. This could damage the motor, or the wood, possibly cause an electrical shock.

3. You can apply a light coat of furniture polish to the wood blades for additional protection and enhanced beauty. Cover small scratches with a light application of shoe polish.

4. There is no need to oil your fan. The motor has permanently lubricated bearings.

IMPORTANT
MAKE SURE THE POWER IS OFF AT THE
ELECTRICAL PANEL BOX BEFORE YOU
ATTEMPT ANY REPAIRS. REFER TO THE
SECTION "MAKING ELECTRICAL
CONNECTIONS"

9. Care of Your Fan

Problem

Solution

Fan will not start.

1. Check circuit fuses or breakers.
2. Check line wire connections to the fan and switch wire connections in the switch housing.
CAUTION: Make sure main power is off.
3. Check to make sure the dip switches from the transmitter and receiver are set to the same frequency.

Fan sounds noisy.

1. Make sure all motor housing screws are snug.
2. Make sure the screws that attach the fan blade bracket to the motor hub is tight.
3. Make sure wire nut connections are not rubbing against each other or the interior wall of the switch housing.
CAUTION: Make sure main power is off.
4. Allow a 24-hour "breaking-in" period. Most noise associated with a new fan disappears during this period.
5. If using an optional light kit, make sure the screws securing the lampshade are tight. Check that lampshade is not touching the fan blades.
6. Some fan motors are sensitive to signals from solid-state variable speed controls. If you have installed a solid-state variable speed control, choose and install another type of control.
7. Make sure the upper canopy is a short distance from the ceiling. It should not touch the ceiling.

Remote control
malfunction

1. Do not connect the fan with wall mounted variable speed control (s).
2. Make sure the dip switches are set correctly.

Troubleshooting

Size	Speed	Volts	Fan Power Consumption (without lights) WATT	Airflow CFM	Airflow Efficiency (Higher Is Better) CFM/WATT	Net Weight	Gross Weight
14in.	Low	120	22.93	873.41	XXX	24.8 lb (11.27kg)	28.76 lb (13.06kg)
	Medium		XX	XXXX	XXX		
	High		39.05	1297.28	32.99		

se are approximate measures. They do not include Amps and Wattage used by the light kit.

© 2018 Progress Lighting, Inc.
 01 Millennium Blvd.,
 Greenville, SC 29607
 All Rights Reserved

1. Specifications