



## OWNER'S MANUAL **A11707**

# ELECTRIC LEAF BLOWER/VACUUM/MULCHING



**FOR SERVICE CALL: (USA)1-866-591-8921/(CANADA)1-514-885-0916**

**WARNING :** To reduce the risk of injury, user must read this manual before assembling, operating and maintaining this unit, You are responsible for operating the product properly & safely.

Version: V1.20171102

# WARNING!

**READ ALL INSTRUCTIONS BEFORE OPERATING! Follow all instructions.**

**Save all warnings and instructions for future reference.**

These instructions below are for your safety. Please read through them thoroughly before using. Familiarize yourself with them to reduce hazards like personal injuries and damage to property.

## TABLE OF CONTENTS

Safety Rules.....	2
Symbols.....	4
Specifications.....	5
Know Your Blower / Vacuum / Mulching.....	6
Assembly.....	6
Operation.....	9
Maintenance.....	11
Troubleshooting.....	12

### SAFETY RULES

**WARNING:** Some dust created by power sanding, sawing, grinding, drilling and other construction activities contains chemicals known to the state of California to cause cancer, birth defects or other reproductive harm. Some examples of these chemicals are:

- Lead from lead-based paints;
- Crystalline silica from bricks and cement and other masonry products and
- Arsenic and chromium from chemically-treated lumber.

Your risk from these exposures varies, depending on how often you do this type of work. To reduce your exposure to these chemicals: work in a well ventilated area, and work with approved safety equipment, such as those dust masks that are specially designed to filter out microscopic particles.

**WARNING:** This product maybe contains lead, phthalate or other chemicals known to the State of California to cause cancer, birth defects and other reproductive harm. Please wash your hands after use.

**WARNING:** When using electric gardening appliances, basic safety precautions should always be followed to reduce the risk of fire, electric shock, and personal injury, including the following:



**WARNING: READ ALL INSTRUCTIONS**

#### FOR ALL APPLIANCES

- 1) Avoid Dangerous Environment - Don't use appliances in damp or wet locations.
- 2) Don't use in Rain.
- 3) Keep Children Away - all visitors should be kept at a distance from work area.
- 4) Dress Properly - Do not wear loose clothing or jewelry. They can be caught in moving parts. Use of rubber gloves and substantial footwear is recommended when working outdoors. Wear protective hair covering to contain long hair.
- 5) Use Safety glasses - always use face or dust mask if operation is dusty.
- 6) Use Right Appliance - Do not use appliance for any job except that for which it is intended .

- 7) Ground Fault Circuit interrupter (GFCI) protection should be provided on the circuit(s) or outlet(s) to be used for the gardening appliance. Receptacles are available having built-in GFCI protection and may be used for this measure of safety.
- 8) **WARNING** -To reduce the risk of electric shock, use only with an extension cord intended for outdoor use, such as an extension cord of cord type SW-a, SOW-a, STW-a, STOW-a, SJW-a, SJOW-a, SJTW-a, or SJTOW-a.
- 9) Extension Cord - Make sure your extension cord is in good condition. When using an extension cord, be sure to use one heavy enough to carry the current your product will draw. An undersized extension cord will cause a drop in line voltage resulting in loss of power and overheating. Table 1 shows the correct size to use depending on cord length and nameplate ampere rating. If in doubt, use the next heavier gage. The smaller the gage number, the heavier the cord. To reduce the risk of disconnection of appliance cord from the extension cord during operating:
  - i) Make a knot as shown in Figure 1; or
  - ii) Use one of the plug-receptacle retaining straps or connectors described in this manual.
- 10) Avoid unintentional Starting - Don't carry plugged-in appliance with finger on switch. Be sure switch is off when plugging in.
- 11) Don't Abuse Cord - Never carry appliance by cord or yank it to disconnect from receptacle. Keep cord from heat, oil, and sharp edges.
- 12) Don't Force Appliance - It will do the job better and with less likelihood of a risk of injury at the rate for which it was designed.
- 13) Don't overreach - Keep proper footing and balance at all times.
- 14) Stay Alert - Watch what you are doing. Use common sense. Do not operate appliance when you are tired.
- 15) Disconnect Appliance - Disconnect the appliance from the power supply when not in use, before servicing, when changing accessories such as blades, and the like.
- 16) Store idle Appliances indoors - When not in

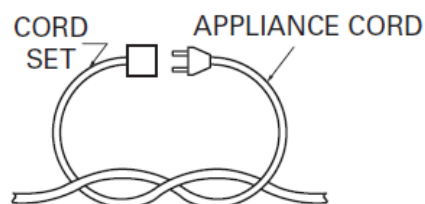
use, appliances should be stored indoors in dry, and high or locked-up place - out of reach of children.

- 17) Maintain Appliance with Care - Keep cutting edge sharp and clean for best performance and to reduce the risk of injury. Follow instructions for lubricating and changing accessories. Inspect appliance cord periodically, and if damaged, have it repaired by an authorized service facility. Inspect extension cords periodically and replace if damaged. Keep handles dry, clean, and free from oil and grease.
- 18) Check Damaged Parts - before further use of the appliance, a guard or other part that is damaged should be carefully checked to determine that it will operate properly and perform its intended function. Check for alignment of moving parts, binding of moving parts, breakage of parts, mounting, and any other condition that may affect its operation.  
A guard or other part that is damaged should be properly repaired or replaced by an authorized service center unless indicated elsewhere in this manual.

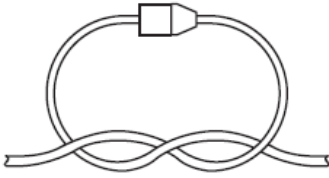
Volts	Total length of cord in feet			
120V	25	50	100	150
Ampere rating more than-not more than	AWG			
0-6	18	16	16	14
6-10	18	16	14	12
10-12	16	16	14	12
12-16	14	12	Not recommended	

**FIGURE 1**

**METHOD OF SECURING EXTENSION CORD**



(A) TIE CORD AS SHOWN



(B) CONNECT PLUG AND RECEPTACLE

**Additional Safety Instructions**

- Use extra care when cleaning on stairs.
- Keep firm footing and maintain good balance at all times. Do not overreach. Overreaching can result in loss of balance.
- Turn off all controls before unplugging the tool.
- Do not use the tool if the power switch does not turn it ON or OFF. Any tool that cannot be controlled with the switch is dangerous and must be repaired.
- Do not use the tool with a damaged plug. If the tool is not working as it should or has been dropped, damaged, left outdoors, or dropped into water, return it to an authorized dealer.
- Do not pick up anything that is burning or smoking, such as cigarettes, matches, or hot ashes.
- Do not use without the dust bag and/or filters in place.
- Carefully inspect your appliance prior to use and follow all label and marking instructions.
- Keep the end of the blower tube away from your face and body.
- Always unplug this appliance before connecting or disconnecting the vacuum hose.
- Do not use for wet material.
- Keep all parts of your body away from any moving parts and all hot surfaces of the unit.
- Do not put any object into the tool's openings. Do not use the tool with any opening blocked; keep openings free of dust, lint, hair, or any other object that may reduce air flow.
- Check the work area before each use. Remove all objects such as rocks, broken glass, nails, wire, or string, which can be thrown or become entangled in the machine.
- Service on the product must be performed by qualified repair personnel only. Service or maintenance performed by unqualified

personnel could result in injury to the user or damage to the product.

- This blower vacuum is intended for residential use only. Commercial use of this product is prohibited and will void the manufacturer's warranty.
- Never run the unit without the proper equipment attached. Always ensure the blower tubes are properly installed.


**Specific Safety Rules for Blower**



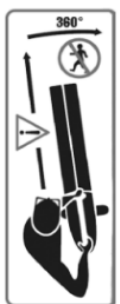
**Vacuum**

- This tool has been designed for blowing/collecting as well as vacuuming/shredding dry leaves and other dry garden rubbish, such as grass and twigs.
- When operating the unit as a blower, never point the blower nozzle in the direction of people or pets or in the direction of windows. Use extra caution when blowing debris near solid objects, such as trees, automobiles, and walls.
- Be sure to secure the unit when transporting it.
- Never douse or squirt the unit with water or any other liquid. Clean the unit after each use as described in the cleaning and storage section.


**SYMBOLS**

	<p>To reduce the risk of injury, user must read instruction manual</p>
	<p>Wear ear protection</p>
	<p>Wear eye protection</p>
	<p>Wear dust mask</p>
	<p>Double insulation</p>

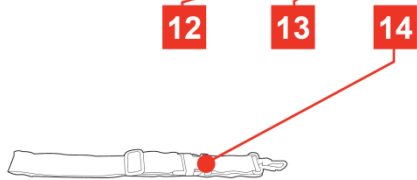
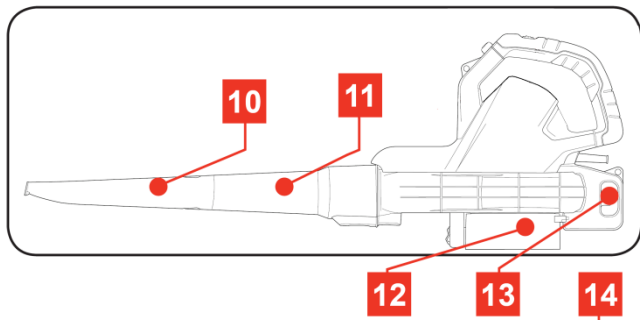
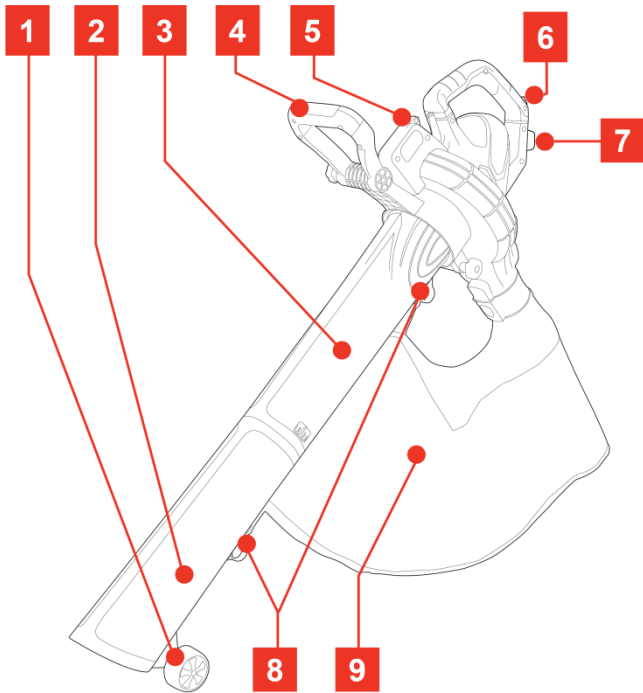
	Objects thrown by the product could hit the user or other bystanders. Always ensure that other people and pets remain at a safe distance from the product when it is in operation. In general, children must not come near the area where the product is.
	Wear protective, slip-resistant footwear.
	Do not expose to rain
	ear long hair uncovered. Use a hair net.
	Remove plug from the mains immediately if the cable is damaged or cut

	Remove the power plug before maintenance and repair work.
	Warning! Rotating impeller, keep fingers / hand away..
	at least 5m (16.4 feet) from bystanders.

## SPECIFICATIONS

Model#	A11707
Rated Voltage	120V~60Hz
Rated Power	12Amp
No-load Speed	8000 - 14000 min <sup>-1</sup>
Max. Air Speed	280km/h(174m/h)
Max. Air suction volume	14m <sup>3</sup> /min(494cfm)
Collection Bag	45L(1.6cu ft)
Mulching Ratio	15:1
Weight	4.1Kg(9lbs)
Protection Class	

# KNOW YOUR LEAF BLOWER / VACUUM / MULCHING



- 1. Nose Guide Wheels
- 2. Lower Suction Tube
- 3. Upper Suction Tube
- 4. Secondary Handle
- 5. Shoulder Strap Hook
- 6. On/Off Switch
- 7. Variable Speed Dial
- 8. Bag Holding Points
- 9. Collection Bag
- 10. Lower Blower Tube

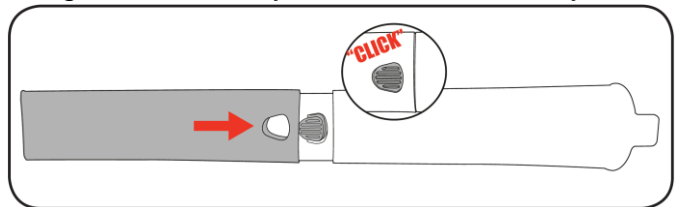
- 11. Upper Blower Tube
- 12. Intake Cover
- 13. Cord Retainer
- 14. Shoulder Strap

## ASSEMBLY

**WARNING!:** ENSURE THE TOOL IS TURNED OFF AND DISCONNECTED FROM THE POWER SUPPLY BEFORE PERFORMING ANY OF THE FOLLOWING OPERATIONS.

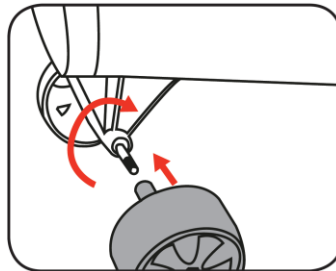
### Assembling the Blower Tube

1. Insert the upper blower tube into the matching lower blower tube and push together until they are connected firmly.

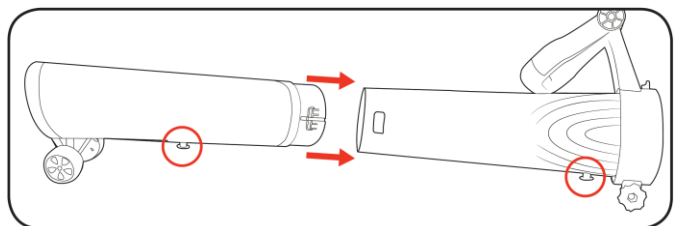


### Assembling the Vacuum Tube

1. Slide the nose guide wheel (axel with wheel) through the lower tube and secure in place with the other wheel as shown.

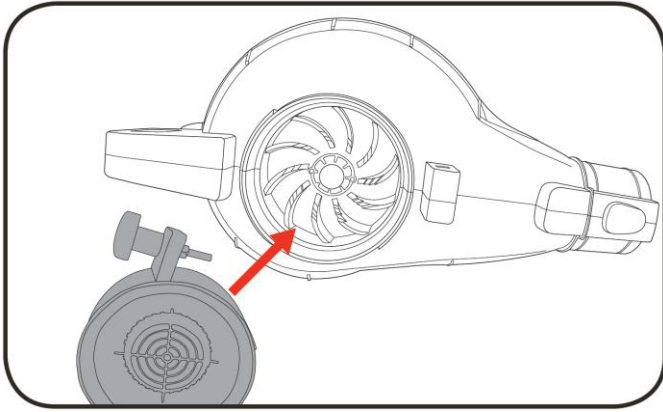


2. Insert lower suction tube into the matching upper suction tube being sure that the bag holding points are on the same side.

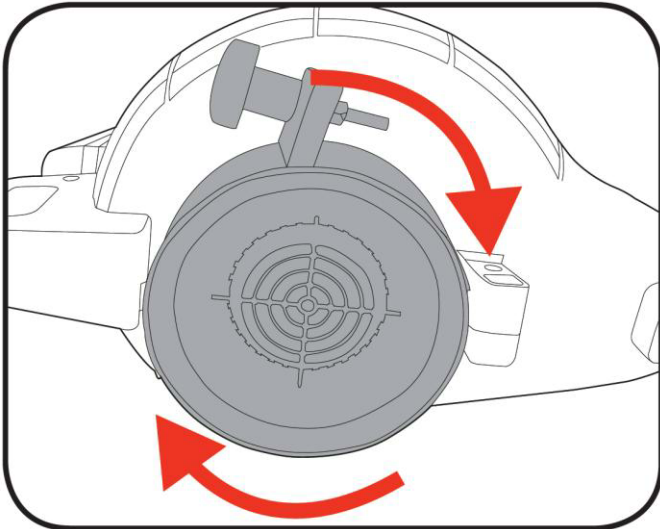


### Blower Mode Setup

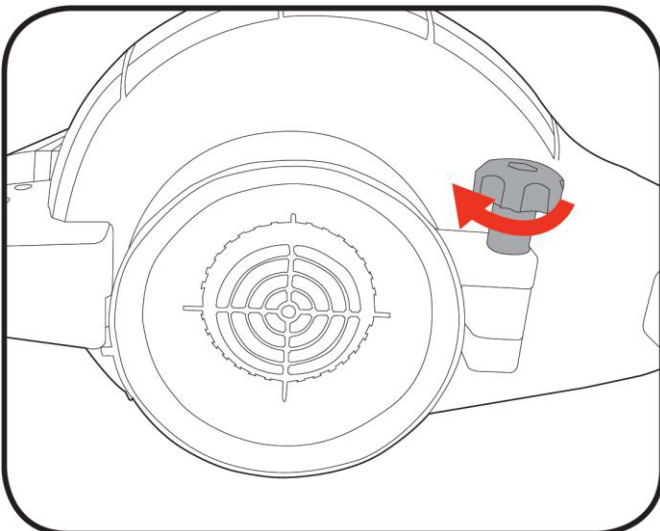
1. The protective intake cover must be assembled on the suction opening when using as a blower.



2. Place the intake cover on the suction opening as shown then rotate clockwise 90 degrees.

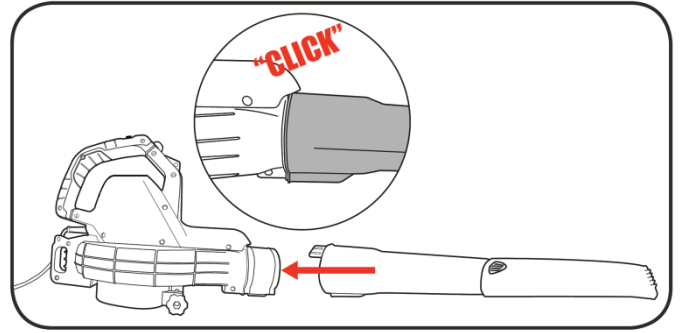


3. Secure in position by tightening the locking knob.



**NOTE:** Ensure the locking knob is fully tightened otherwise the motor will not start.

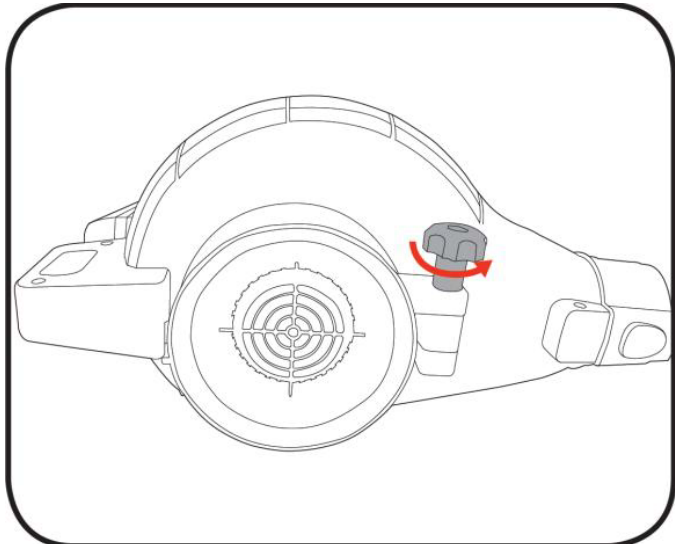
4. Push the combined blower tubes into the housing fully.



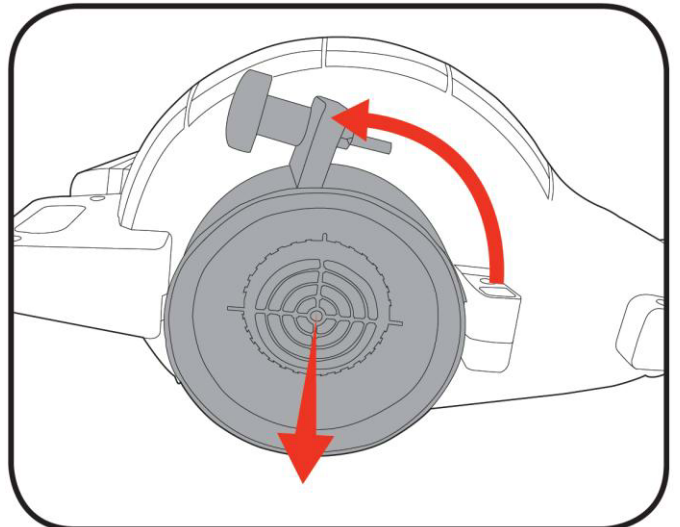
**NOTE:** Ensure the blower tube is pushed fully onto the housing otherwise the motor will not start.

### Vacuum-Mulcher Mode Setup

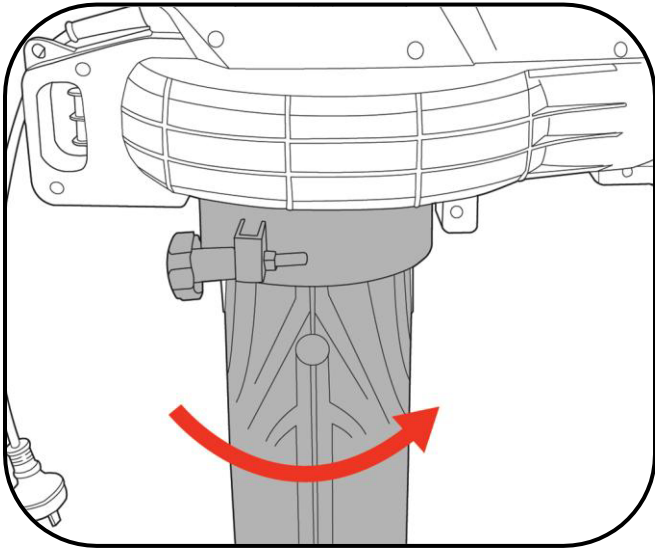
1. To install the vacuum tube you must remove the protective intake cover. Start by unscrewing the locking knob.



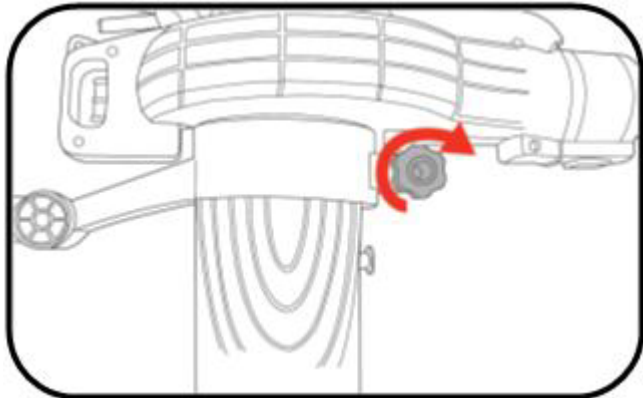
2. Rotate the intake cover anti-clockwise 90 degrees, then pull away from the housing.



3. Place the vacuum tube assembly on the underside of the motor housing as shown and turn it clockwise 90 degrees.

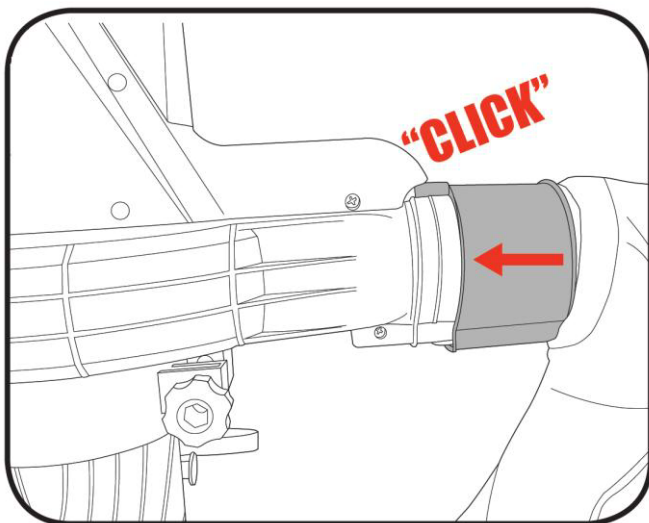


4. Lock the vacuum tube in place by screwing the knob into the body of the blower.



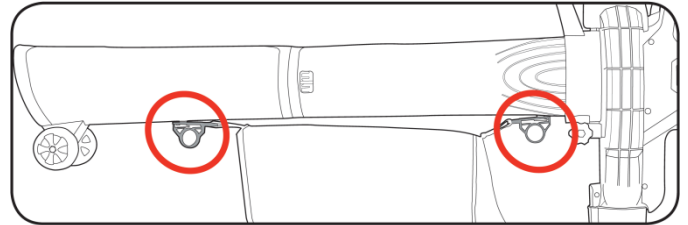
**NOTE:** Ensure the locking knob is fully tightened otherwise the motor will not start.

5. Remove the blower tube, then push the collection bag onto the blower vacuum outlet.



**NOTE:** Ensure the collection bag is pushed fully onto the housing otherwise the motor will not start.

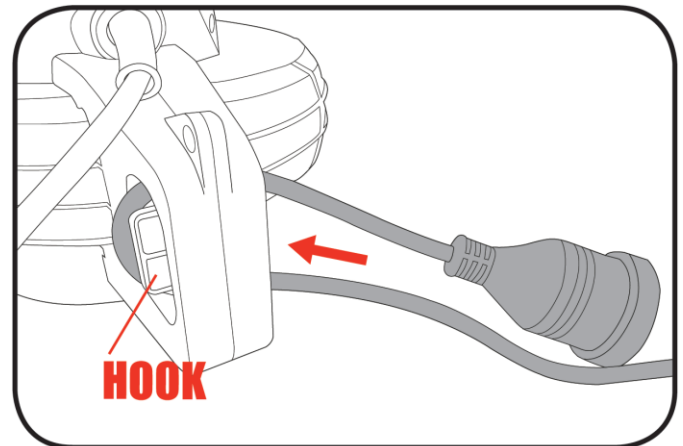
6. Hang the bag fastening hooks onto the bag holding points.



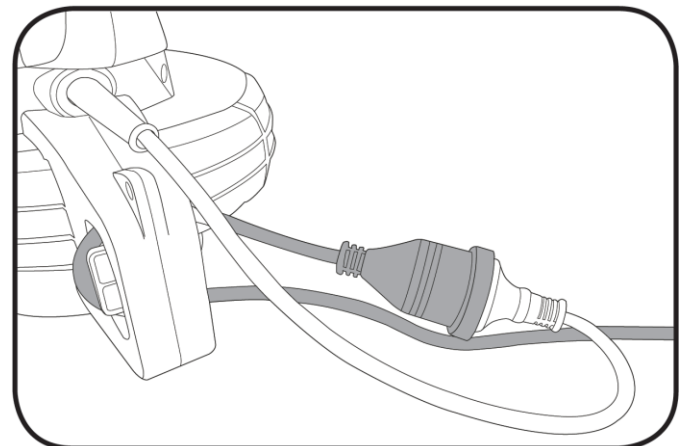
### Extension Cord Retainer

The cord retaining hook is used to “anchor” an extension lead (not included) when it is connected to the power cord of the tool. It prevents the extension lead from being accidentally disconnected from the blower vacuum’s power cable or shaken loose during use. It should be used at all times.

1. Make a loop with the extension lead (socket end of lead), push it through the hole and secure over the hook as shown.



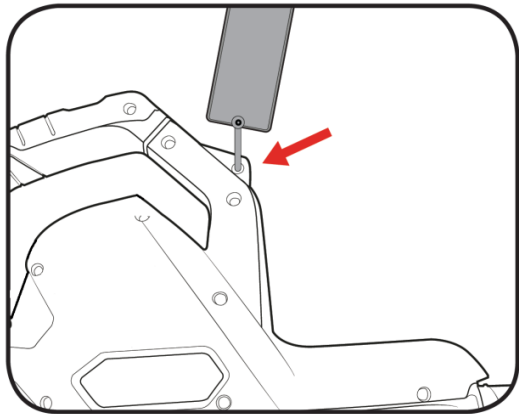
2. Once fitted, connect the extension lead socket onto the blower vacuum’s power plug.



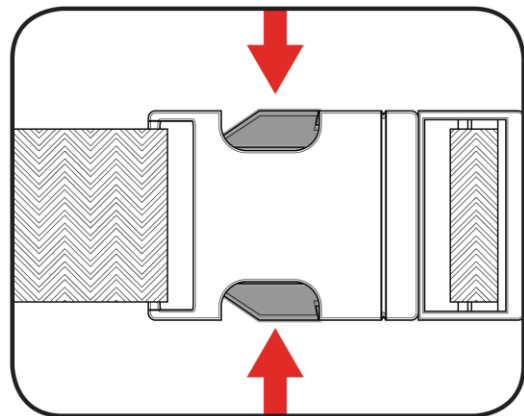
### Shoulder Strap

1. Ensure the shoulder strap is clipped onto the top of the blower vac.





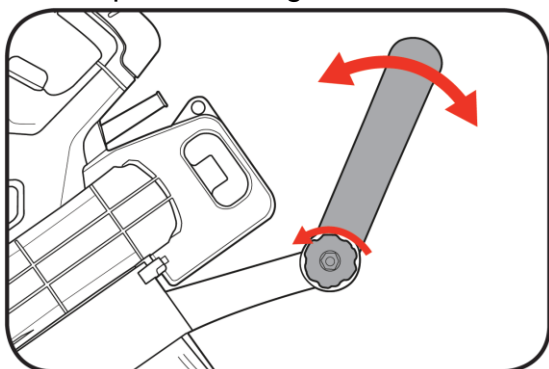
2. To quickly unclip the blower vacuum, press either side of the buckle.



**NOTE:** To use the shoulder strap simply slide the strap over your shoulder so that some of the weight of the blower vacuum can be taken by your shoulder.

### Secondary Handle

Loosen the lock knob to rotate handle to the desired position, retighten to secure in place.



## OPERATION

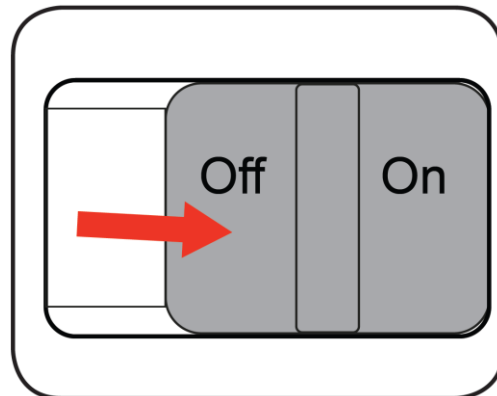
### CONTROLS

**WARNING!** THE POWER SUPPLY FOR THIS PRODUCT SHOULD BE PROTECTED BY A RESIDUAL CURRENT DEVICE RATED AT 30mA OR LESS.

**NOTE:** Must be fully assembled before use.

### On/Off Switch

1. To turn ON push the on/off switch right to the ON(I) position.

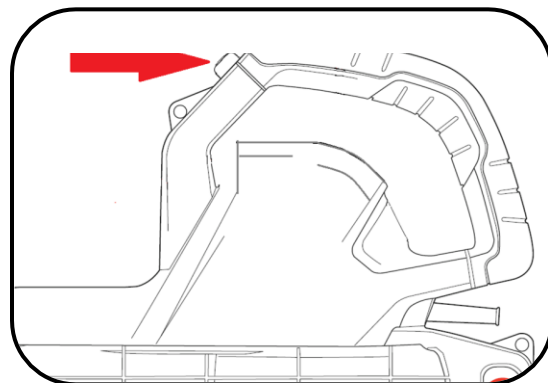


2. To turn OFF push the on/off switch to the left OFF(O) position.

### Power Setting Adjustment

Variable speed provides greater control when using the blower vacuum, the blow and vacuum speed can be adjusted depending on the application.

To adjust the air speed, rotate the variable speed dial from Min. to Max.



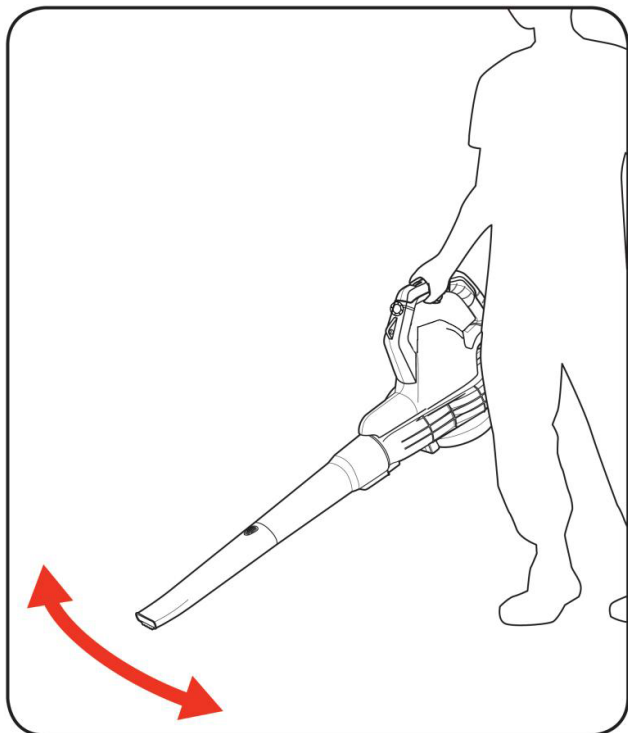
## USING THE BLOWER VAC

### Blowing

Install the blower tubes and protective intake cover as explained in the "Blower Mode Setup" section of this manual.

The blower vacuum is ideal for blowing leaves, grass clippings and other debris from paths, driveways and deck areas. Also blow material out of places hard to access like under vehicles or play equipment.

Hold the blower vacuum firmly, move the on/off switch right to the ON position, point the jet of air in front of you and move forward slowly. Move the blower vacuum from side to side, with the nozzle several inches above the ground. Be careful where you point the jet of air as it can move heavy material and cause injury or damage to bystanders.



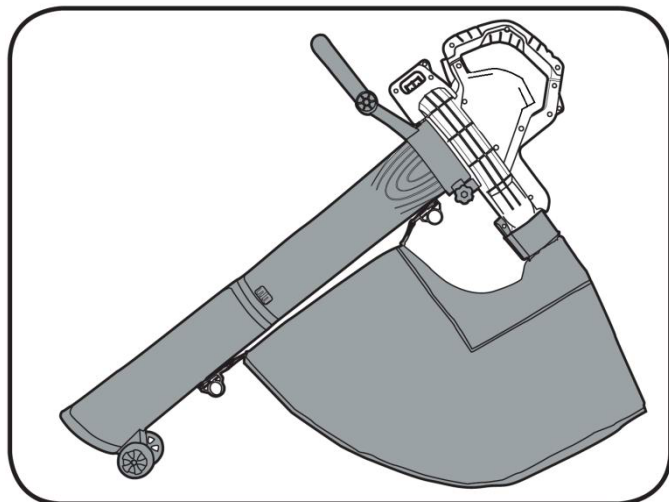
**NOTE:** Be aware of other people and animals in the area where you are to be operating the blower vac.

**NOTE:** Avoid collisions with hard objects which could damage your machine.

**WARNING!** DO NOT SWITCH THE MACHINE ON IN ENCLOSED OR POORLY VENTILATED SPACES OR IN THE PRESENCE OF FLAMMABLE AND/OR EXPLOSIVE LIQUIDS, GASES AND POWDERS.

## Vacuum & Mulching

Install the vacuum tubes and collection bag as explained in the “Vacuum-Mulcher Mode Setup” section of this manual.



The blower vacuum is ideal for collecting dry leaves, grass clippings and other garden debris while shredding and reducing the volume collected for composting if desired.

Hold the blower vacuum firmly, move the on/off switch right to the ON position, point the vacuum tubes in front of you and move forward slowly resting the guide wheels on the ground.

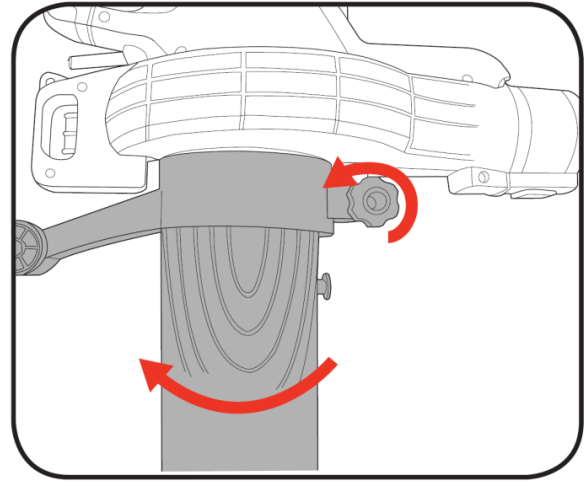
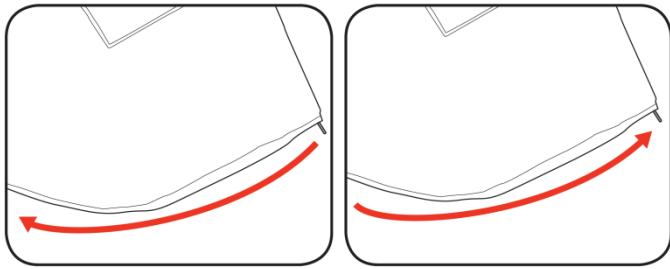
**CAUTION!** DO NOT ATTEMPT TO VACUUM STONES, GLASS OR OTHER SOLID OBJECTS, DOING SO COULD CAUSE MAJOR DAMAGE TO THE IMPELLOR AND COLLECTION BAG.

## Emptying The Collection Bag

For best results when vacuuming it is recommended to empty the collection bag after it becomes half full. As the bag fills beyond half way, vacuuming performance will decrease. Always empty the collection bag after you have finished your job.

**WARNING!** MAKE SURE THAT THE BLOWER VAC IS SWITCHED OFF AND UNPLUGGED. WAIT UNTIL THE IMPELLER HAS STOPPED BEFORE ATTEMPTING TO EMPTY OR REMOVE THE COLLECTION BAG.

1. Open the zip at the rear of the bag and empty in desired location.
2. Be sure to close the zip prior to operating the blower vac.



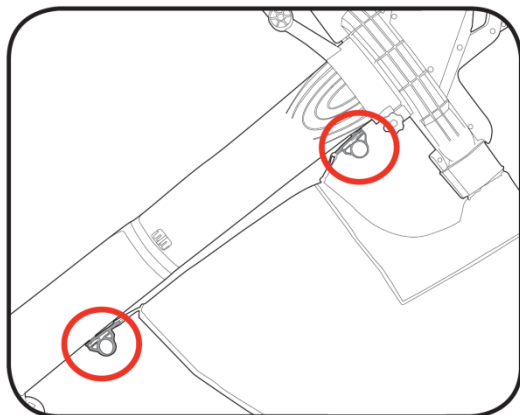
## MAINTENANCE

**WARNING!** ENSURE THE BLOWER VAC IS DISCONNECTED FROM THE POWER SUPPLY BEFORE PERFORMING ANY OF THE FOLLOWING OPERATIONS.

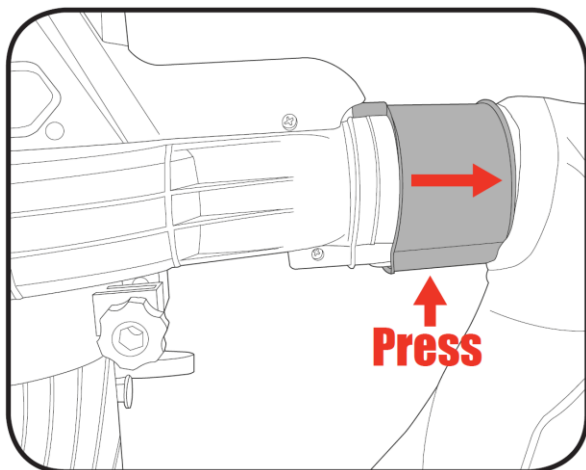
### Clearing Debris

To access the impeller, remove the vacuum tube and collection bag.

1. Un-fasten hooks from the bag holding points

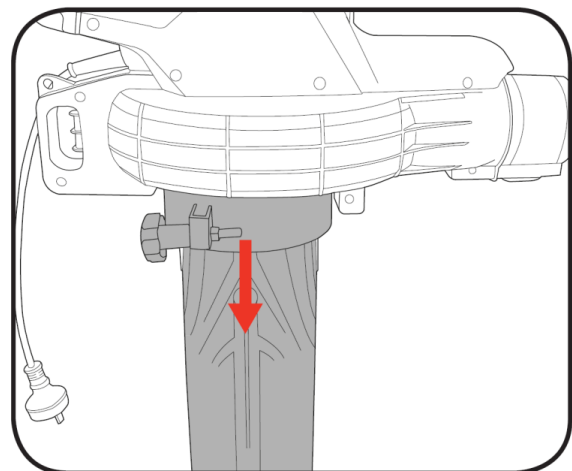


2. Remove the collection bag from the blower vacuum outlet.

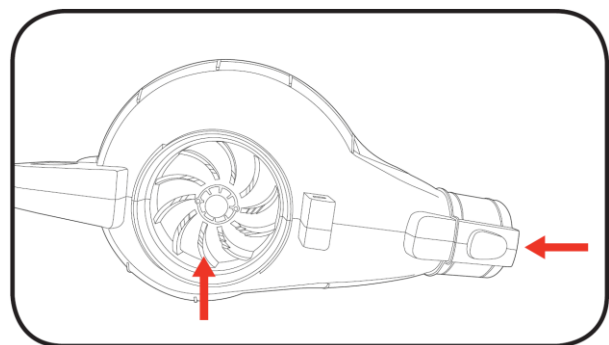


3. Unscrew the locking knob from the body of the blower, then rotate vacuum tube anti-clockwise 90 degrees.

4. Pull away the vacuum tube assembly from the body of the blower vac.



5. Remove any debris from the impeller and within the blower vacuum outlet.



- There are no user serviceable parts in the blower vacuum; if a fault is suspected or the supply cord requires replacement, return the blower vacuum to a power tool repairer.
- Keep air intake clean and air vents free from debris to avoid overheating the motor.
- Do not use cleaning agents to clean the plastic parts of the blower vac. A mild detergent on a damp cloth is recommended. Water must never come into contact with the blower vacuum.
- If the blower vacuum vibrates abnormally,

stop motor immediately. Abnormal vibration usually indicates a mechanical problem continued operation could lead to injury or damage.

- No lubrication is necessary as the motor is equipped with lifetime-lubrication bearings.
- Keep the ventilation vents of the blower vacuum clean at all times, if possible, prevent foreign matter from entering the vents.
- After each use, blow air through the blower vacuum housing to ensure it is free from all dust particles which may have built-up. Build up of dust particles may cause the blower vacuum to overheat and fail.
- If the enclosure of the blower vacuum requires

cleaning do not use solvents but a moist soft cloth only. Never let any liquid get inside the blower vacuum; never immerse any part of the blower vacuum into liquid.

- When not in use, the blower vacuum should be stored in a dry, frost free location not within the reach of children.

**Note:** AAVIX will not be responsible for any damage or injuries caused by the repair of the blower vacuum by an unauthorised person or by mishandling of the blower vac. This tool is designed for DIY use - use in commercial or industrial environments will void the warranty.

## TROUBLESHOOTING

Problem	Cause	Remedy
Poor Suction	Collection bag full	Empty the collection bag.
	Clogged vacuum tubes	Remove any debris or built up within the vacuum tubes.
	Clogged collection bag connector	Remove the collection bag, remove build up of debris from connector & outlet in the housing.
	Low speed setting	Turn up variable speed dial.
Vacuum doesn't start	Loose locking knob or collection bag not fully connected.	Tighten locking knob and ensure the collection bag is pushed fully onto the housing.
Blower doesn't start	Loose locking knob or suction tube not fully connected.	Tighten locking knob and ensure blower tubes are pushed onto the housing fully.

## CARING FOR THE ENVIRONMENT

Power tools that are no longer usable should not be disposed of with household waste but in an environmentally friendly way. Please recycle where facilities exist. Check with your local council authority for recycling advice.

Recycling packaging reduces the need for landfill and raw materials. Reuse of recycled material decreases pollution in the environment. Please recycle packaging where facilities exist. Check with your local council authority for recycling advice.