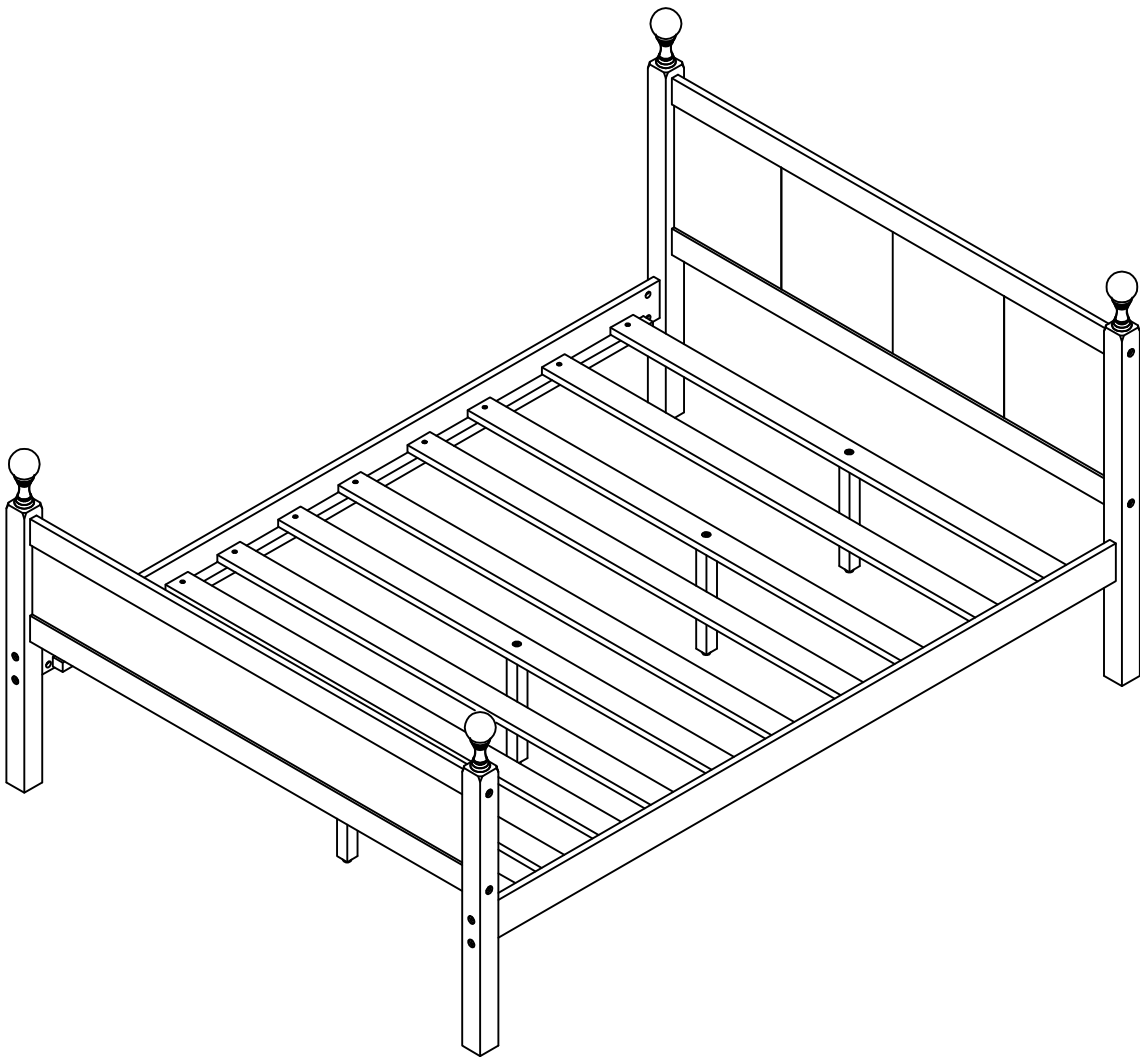


ASSEMBLY INSTRUCTIONS

Bunk Bed



PLEASE DO NOT RETURN PRODUCT TO THE STORE.

If you have any problem or concerns, please feel free to contact our customer service department. We will reply you as soon as possible.

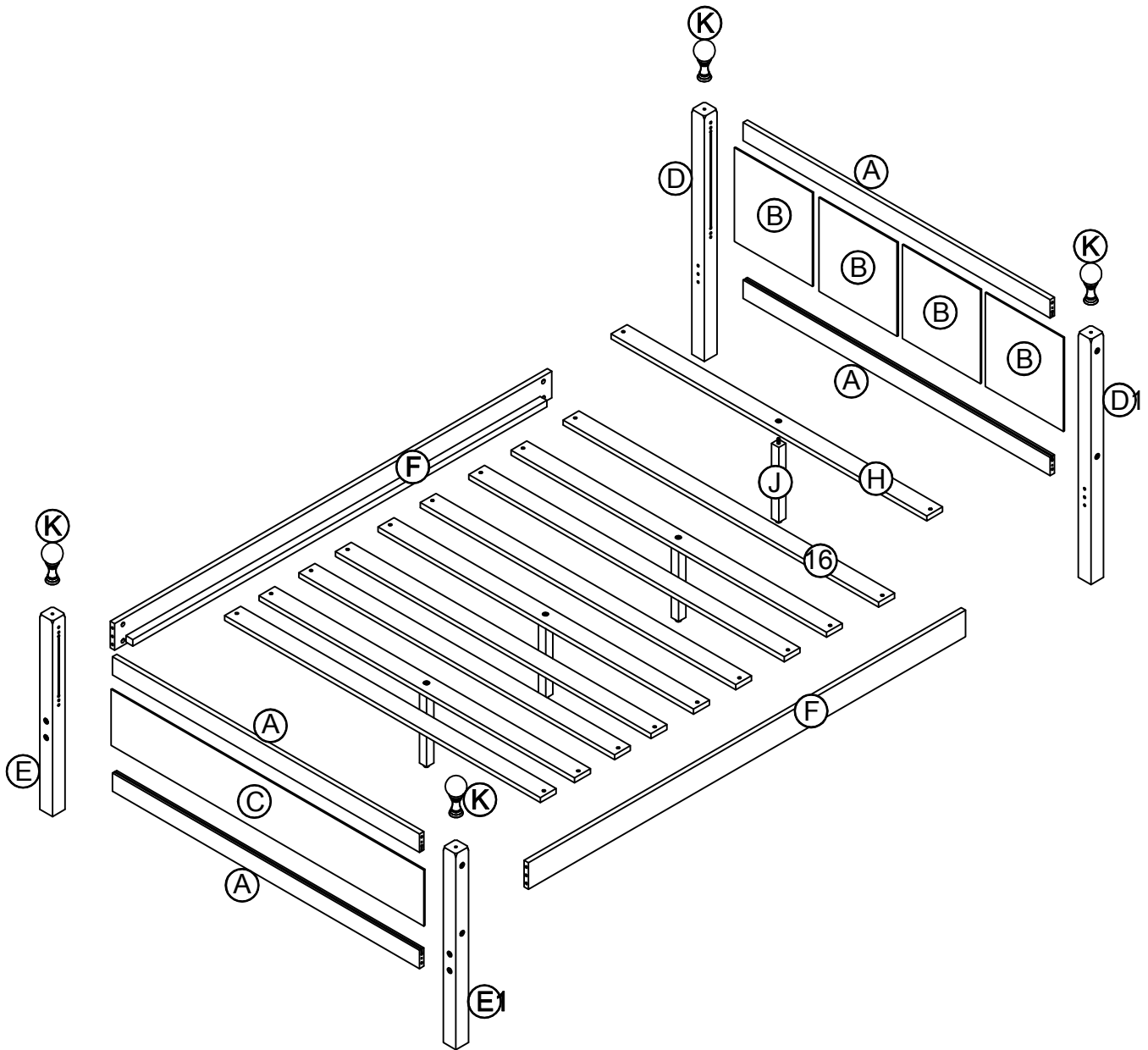
WF194044



E-Mail: csr@merax.com

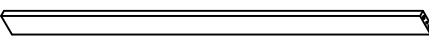
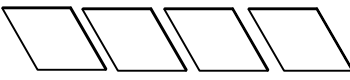
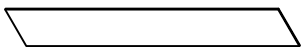
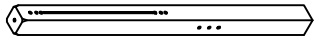
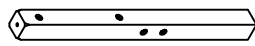
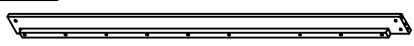
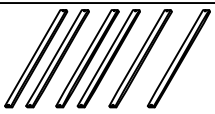
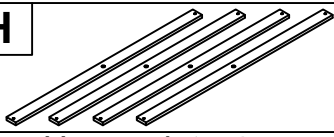
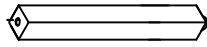
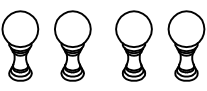
Tel: 626-912-8886 Ext.100

DETAIL VIEW


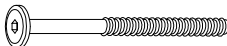
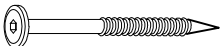


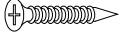




WF194044

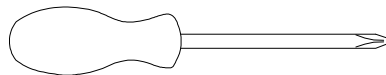
PART LISTS

<p>A</p>  <p>Horizontal bar - 4pcs</p>	<p>B</p>  <p>Side panel (HB) - 4pcs</p>	<p>C</p>  <p>Side panel (FB) - 1pc</p>
<p>D-D1</p>  <p>Upper leg HB (L/R) - 2pcs</p>	<p>E-E1</p>  <p>Upper leg FB (L/R) - 2pcs</p>	<p>F</p>  <p>Side rail upper - 2pcs</p>
<p>16</p>  <p>Upper slat - 6pcs</p>	<p>H</p>  <p>Upper slat - 4pcs</p>	<p>J</p>  <p>Side rail support - 4pcs</p>
<p>K</p>  <p>Apparatus- 4pcs</p>		

HARDWARE LISTS

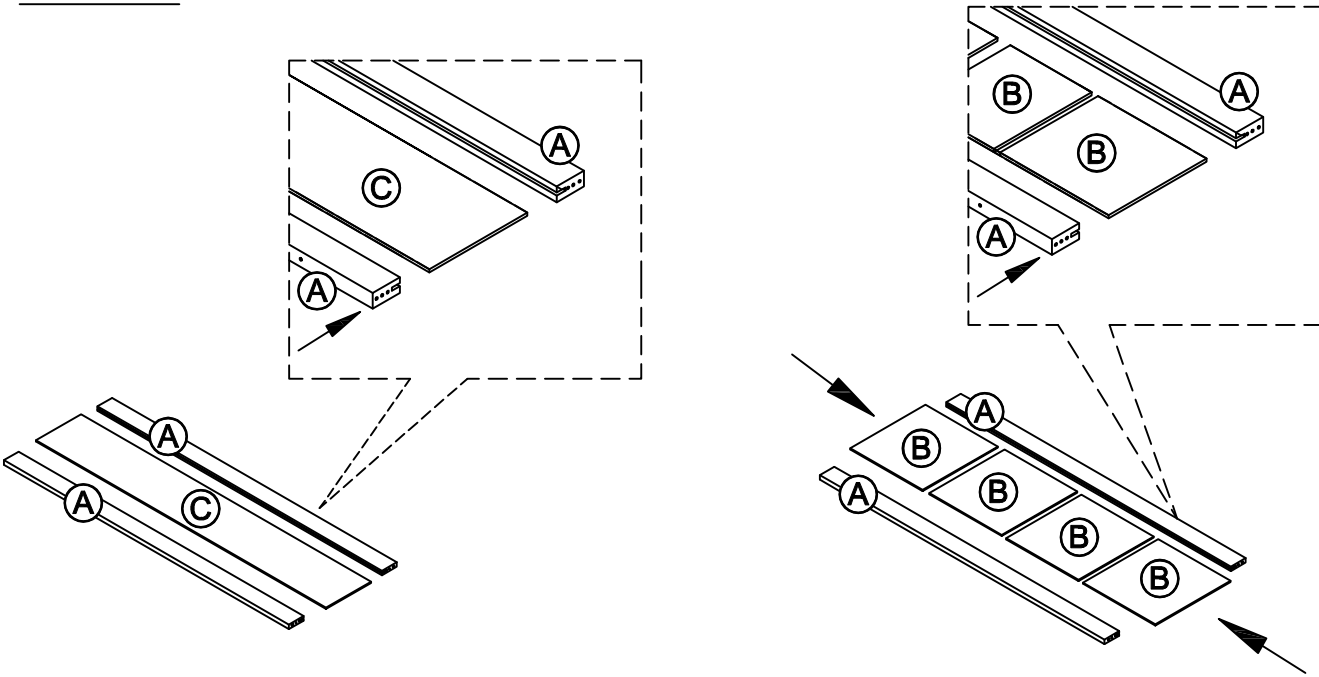
1  Ø10" x 30 mm Wood dower 20pcs	2  Ø1/4" x 100 mm Hex-Head bolts (8pcs)	3  Ø1/4" x 80 mm Wood Screws (8pcs)
4  Ø5/16" x 60 mm Hex-Head bolts (4pcs)	5  Ø1/4" x 15 mm(9.5mm) Horizontal-Hole bolts 8pcs	6  # 4*30mm Wood Screws (20pcs)
7  (1/4")4.5*58mm Allen Key (1pc)	8  Ø1/4" x 35 mm Hex-Head bolts (4pcs)	

ASSEMBLY TOOLS REQUIRED (NOT INCLUDED)





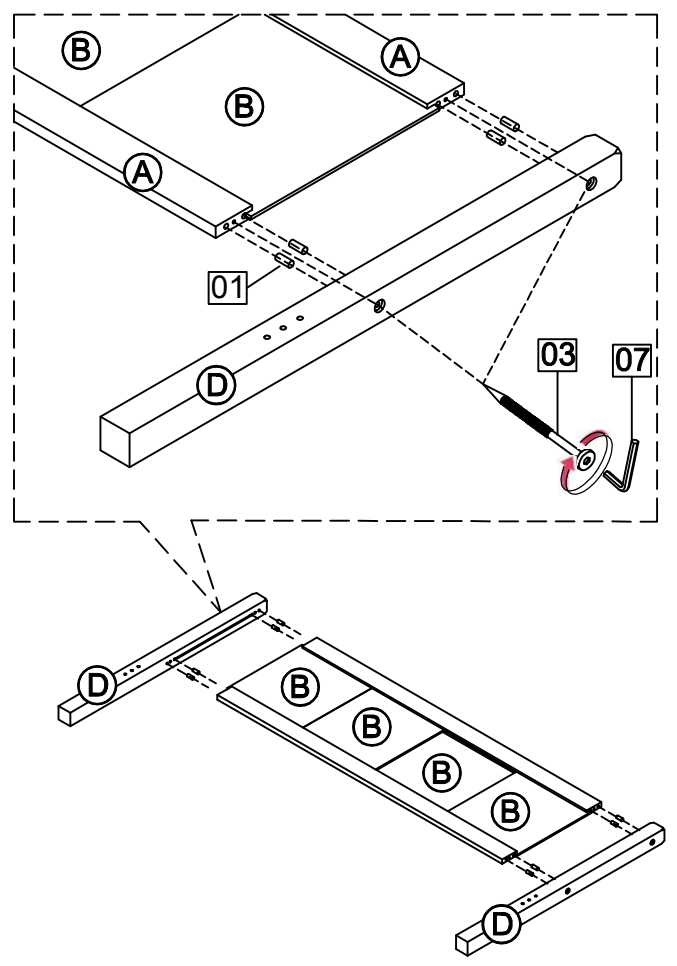
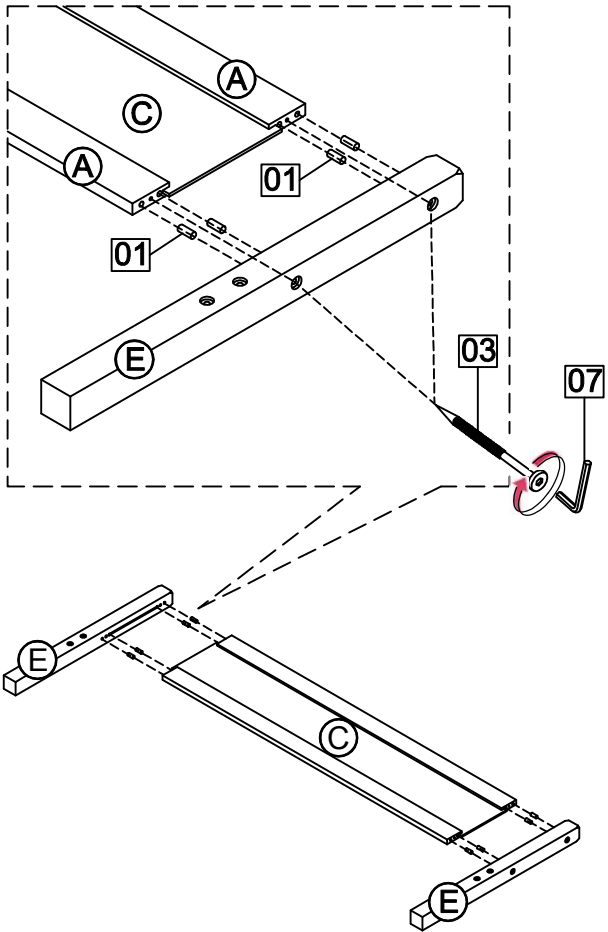
PLEASE BE CAREFUL DO NOT DAMAGE THE HOLE POSITION WHEN YOU USE POWER TOOLS !

STEP 1:




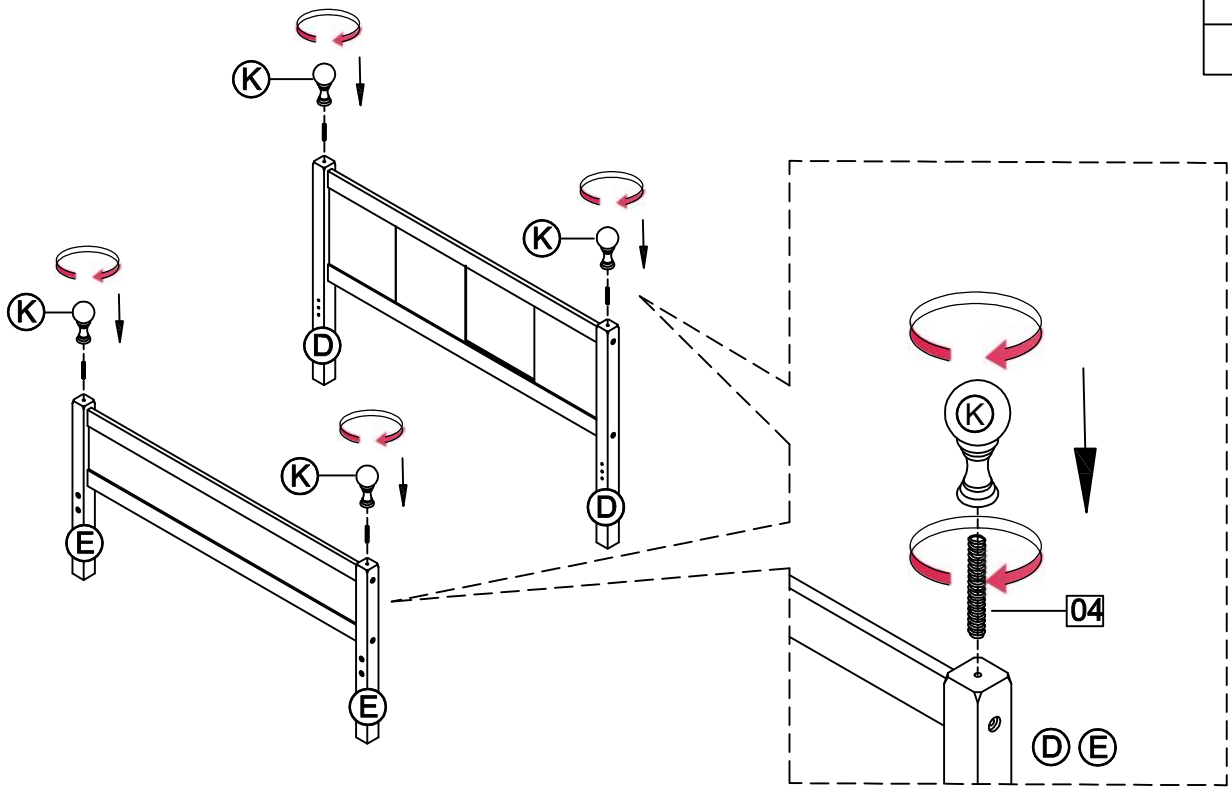
STEP 2:

01		03	
16PCS		8PCS	






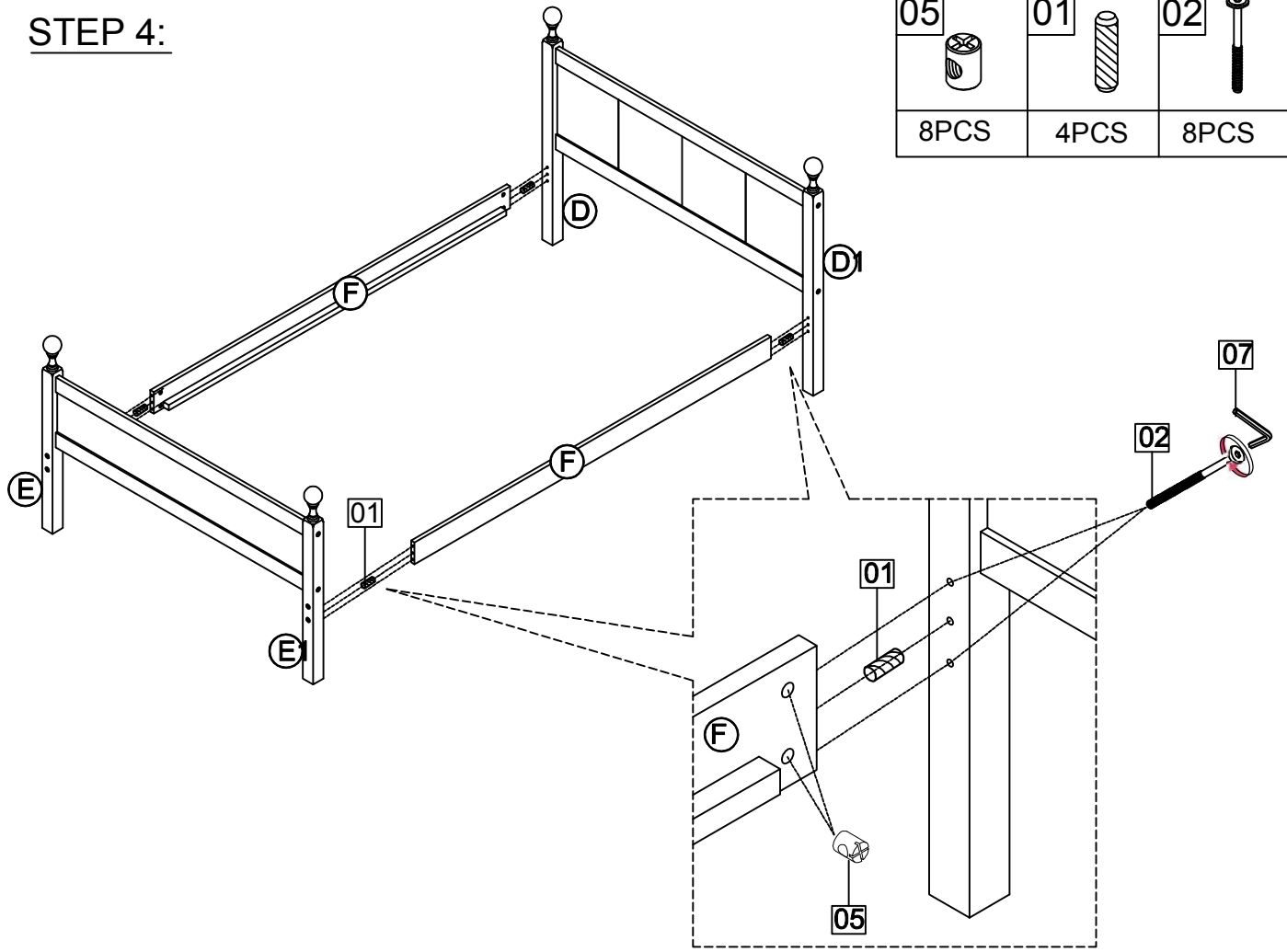
STEP 3:

04	
4PCS	



STEP 4:

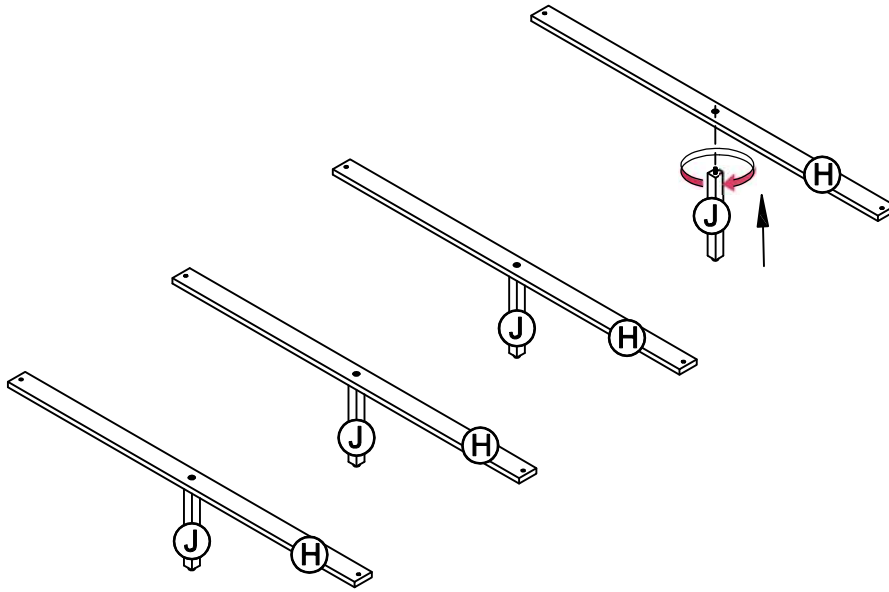
05		01		02	
8PCS		4PCS		8PCS	



STEP 5:

08

4pcs

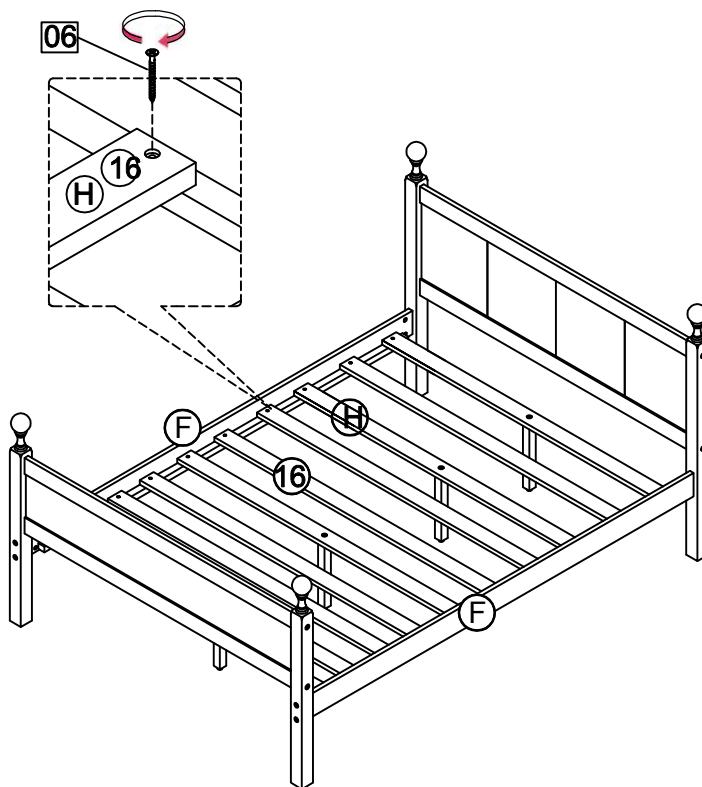


STEP 6:

06



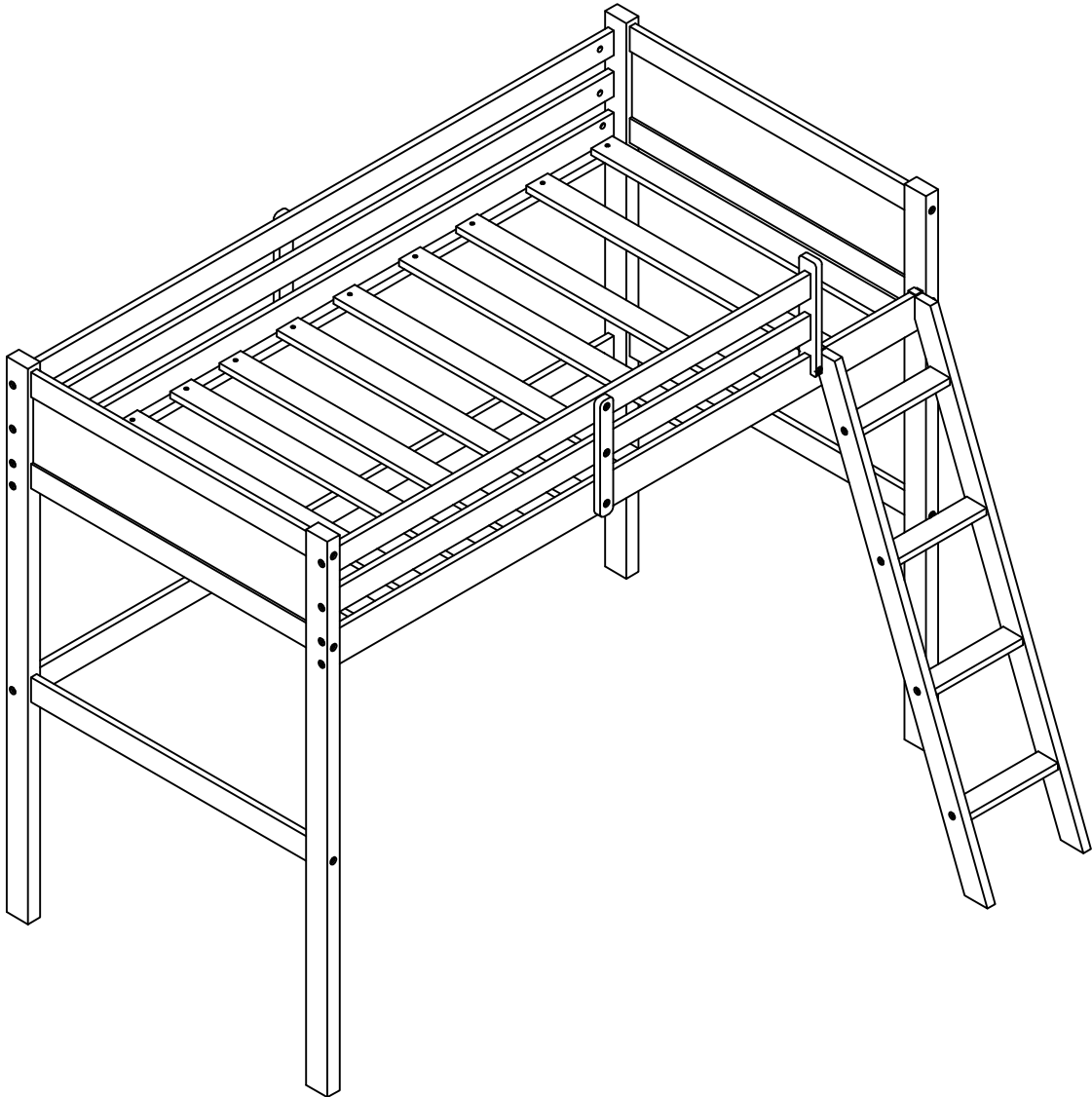
28PCS



Assembly Complete

ASSEMBLY INSTRUCTIONS

LOFT AND FULL BED WITH MOVEABLE BEDSIDE



PLEASE DO NOT RETURN PRODUCT TO THE STORE.

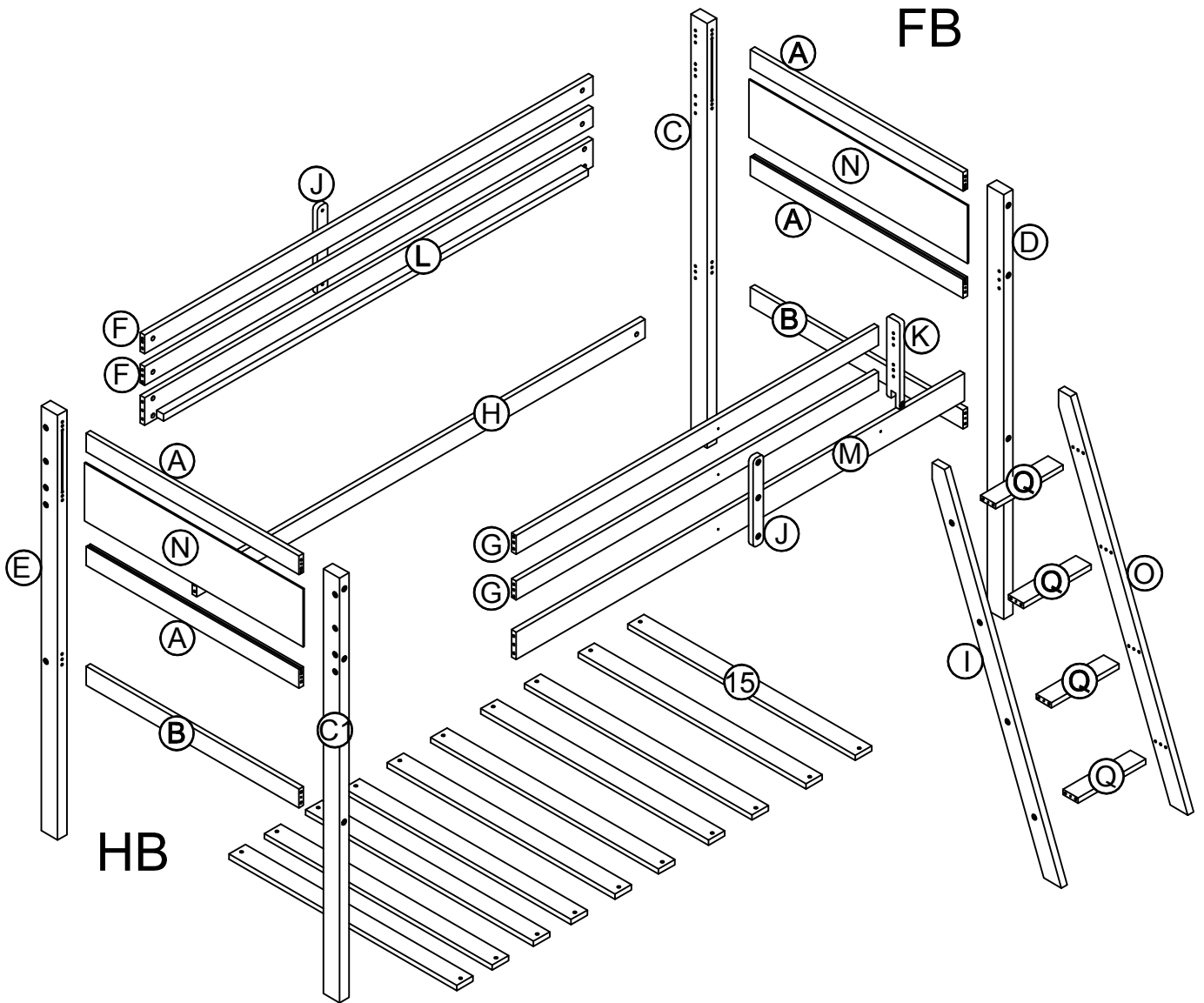
If you have any problem or concerns, please feel free to contact our customer service department. We will reply you as soon as possible.

WF194044



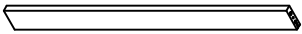
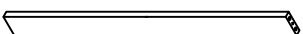
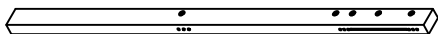
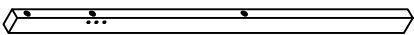
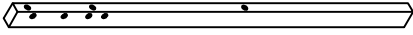

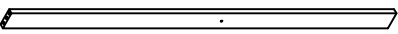
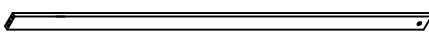
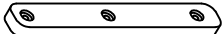
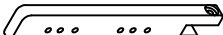
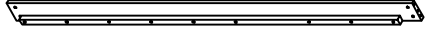
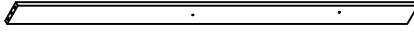
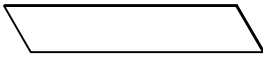
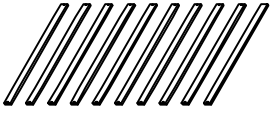
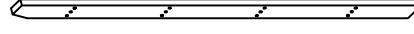
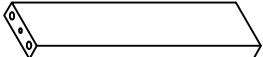

E-Mail: csr@merax.com
Tel: 626-912-8886 Ext.100

DETAIL VIEW

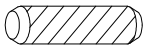
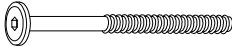
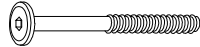


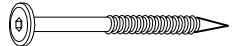



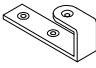




WF194044

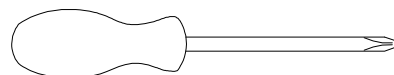
PART LISTS

A 	B 	C/C1 
Horizontal bar - 4pcs	Horizontal bar - 2pcs	Upper leg HB&FB (L/R)-2pcs
D 	E 	F 
Upper leg FB - 1pc	Upper leg HB - 1pc	Back guard rails 2pcs
G 	H 	J 
Front guard rails 2pcs	Back guard rails 1pc	Vertical guard rail 2pcs
K 	L 	M 
Guard rail supports 1pc	Side rail upper -1pc	Side rail upper -1pc
N 	15 	O 
Side panel - 2pcs	Upper slat - 10pcs	Ladder Left side rail 1pcs
Q 	I 	
Ladder step 4pcs	Ladder Right side rail 1pcs	

HARDWARE LISTS

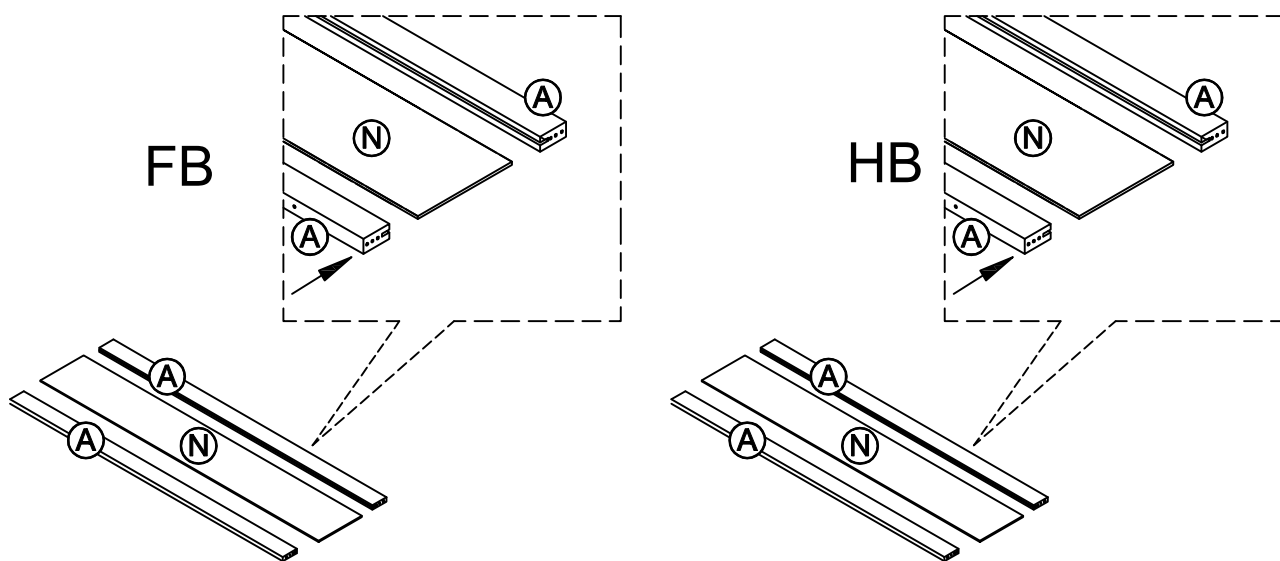
<p>1</p>  <p>Ø10" x 30 mm Wood dowel 64pcs</p>	<p>2</p>  <p>Ø1/4" x 80 mm Hex-Head bolts (16pcs)</p>	<p>3</p>  <p>Ø1/4" x 65 mm Wood Screws (2pcs)</p>
<p>4</p>  <p>(Ø12)1/4" x 30 mm Hex-Head bolts (8pcs)</p>	<p>5</p>  <p>Ø1/4" x 15 mm(9.5mm) Horizontal-Hole bolts 18pcs</p>	<p>6</p>  <p>Ø1/4" x 110 mm Wood Screws (12pcs)</p>
<p>7</p>  <p>#3.5*15mm Wood Screws (6pcs)</p>	<p>8</p>  <p>#3.5*30mm Wood Screws (20pcs)</p>	<p>9</p>  <p>90*17*2mm Foam stick (2pcs)</p>
<p>10</p>  <p>81*26*21 (2.5mm) Hooks (2pcs)</p>	<p>11</p>  <p>(1/4")4.5*58mm Allen Key (1pc)</p>	<p>12</p>  <p>(Ø15)1/4" x 50 mm Wood Screws (8pcs)</p>

ASSEMBLY TOOLS REQUIRED (NOT INCLUDED)





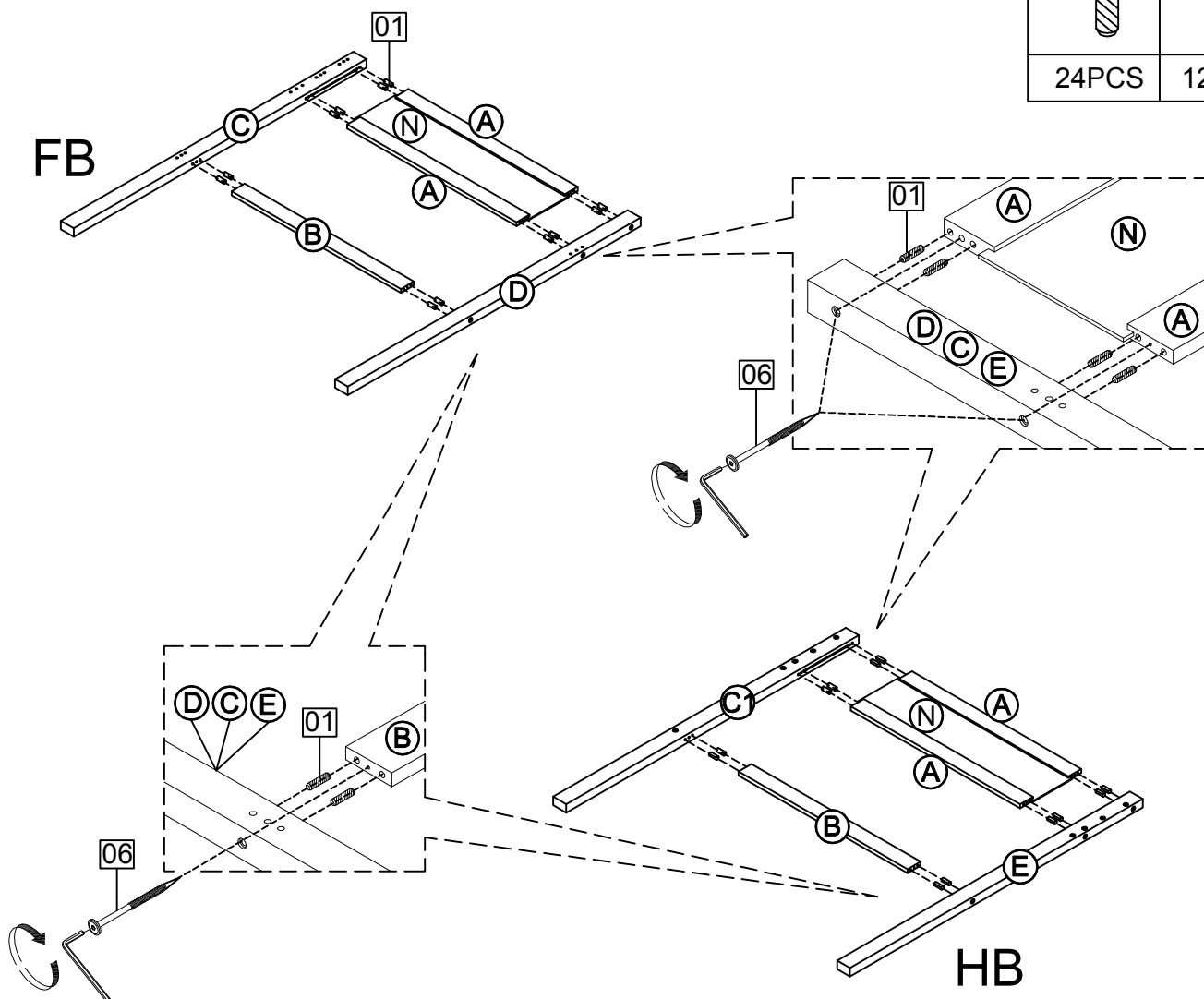
PLEASE BE CAREFUL DO NOT DAMAGE THE HOLE POSITION WHEN YOU USE POWER TOOLS !

STEP 1:






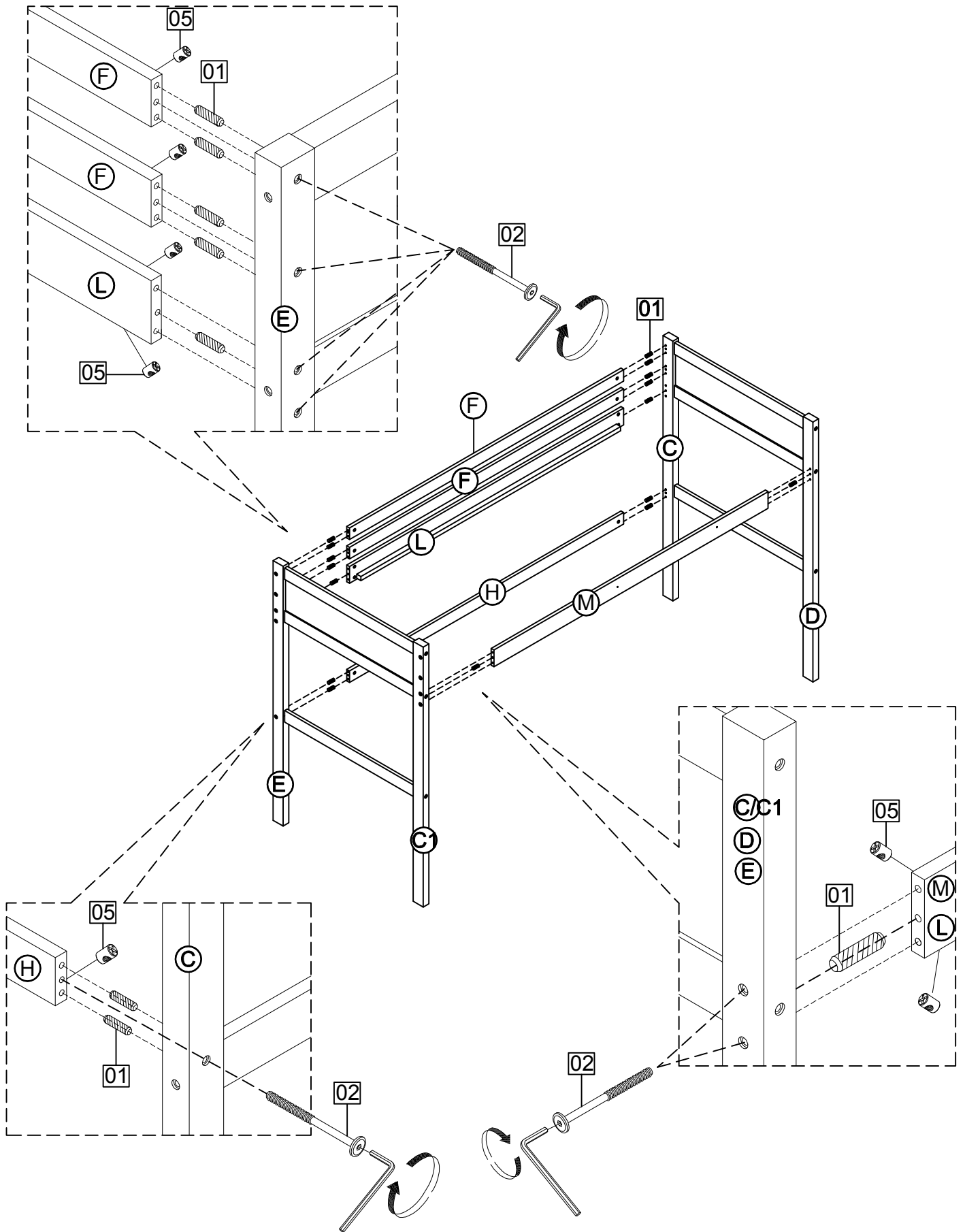
STEP 2:

01		06	
	24PCS		12PCS



STEP 3:

05	01	02
		
14PCS	16PCS	14PCS

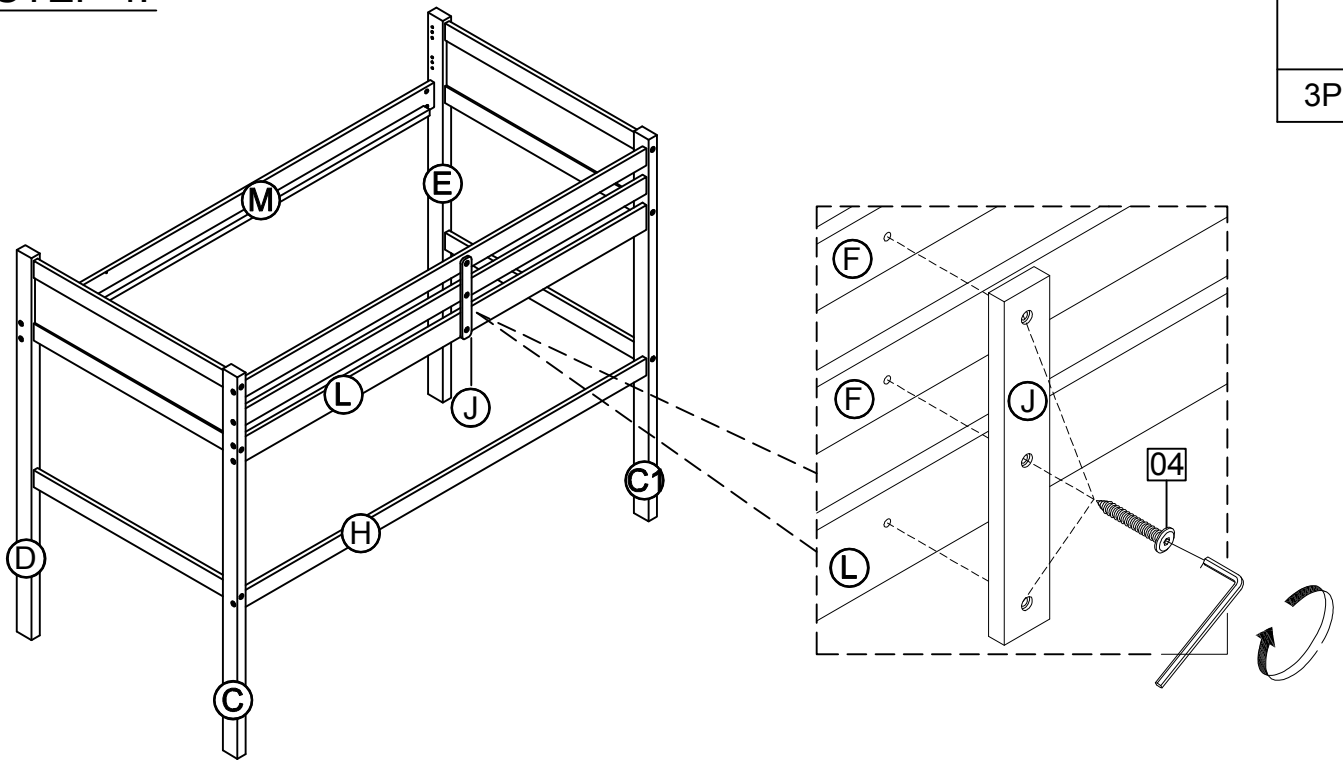


STEP 4:

04



3PCS



STEP 5:

05



2PCS

01

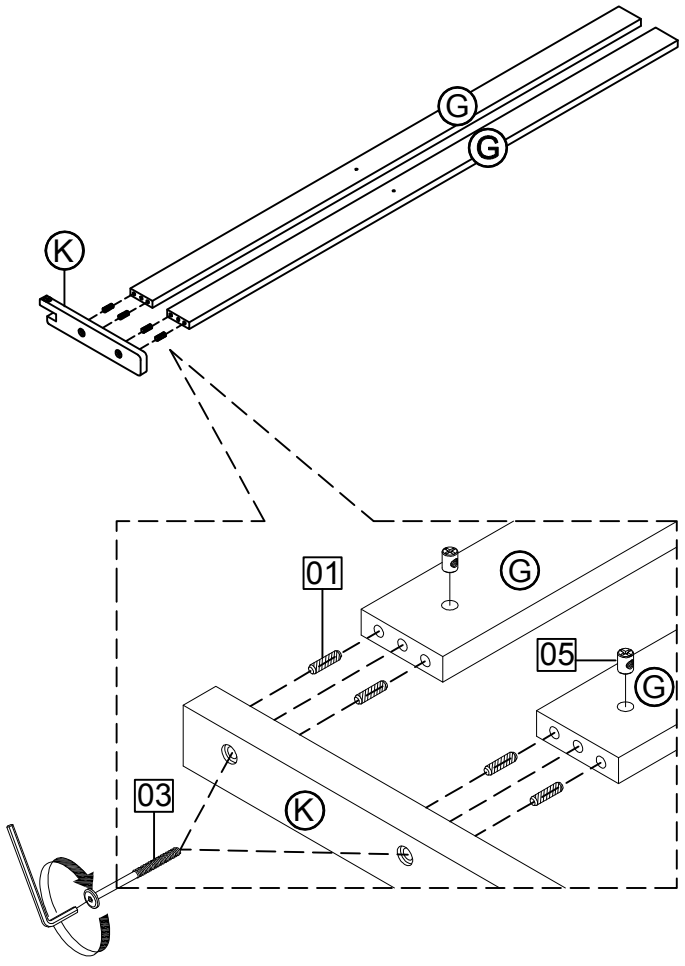


4PCS

03



2PCS



STEP 6:

05



2PCS

01

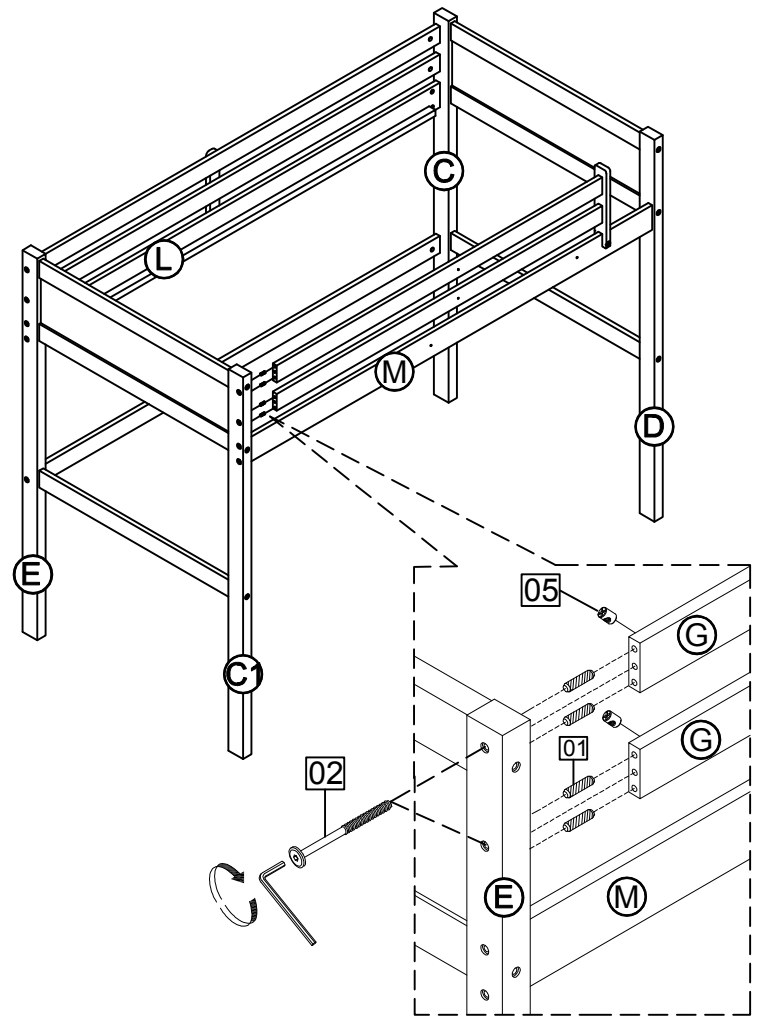


4PCS

02



2PCS

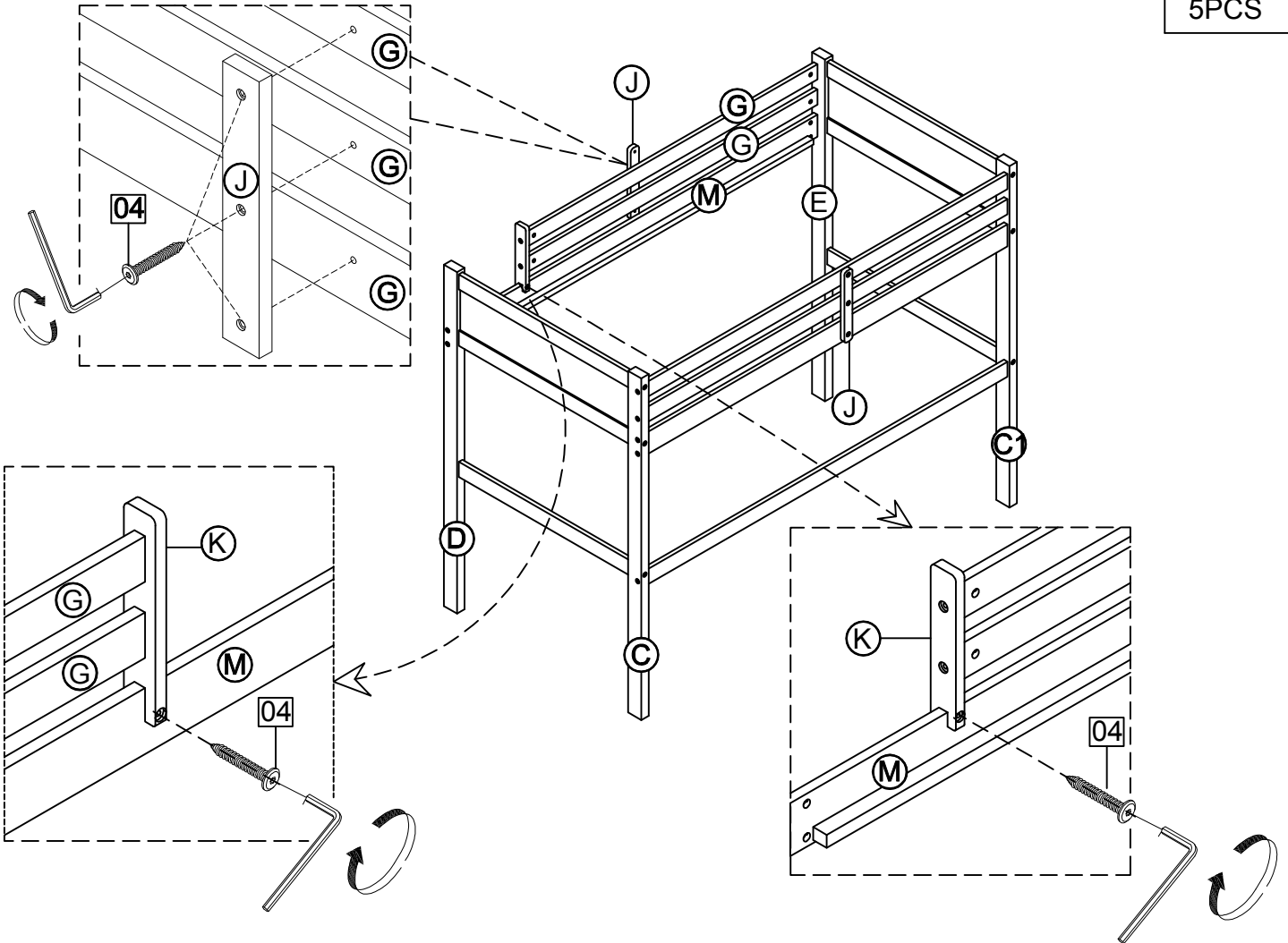


STEP 7:

04



5PCS



STEP 8:

01



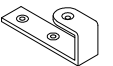
16PCS

12

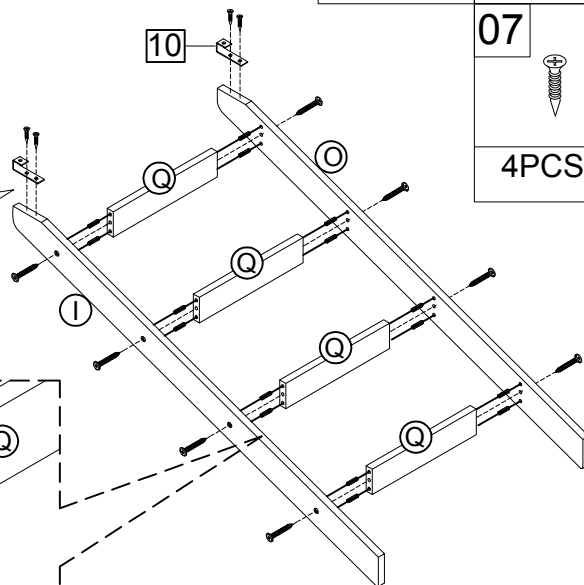
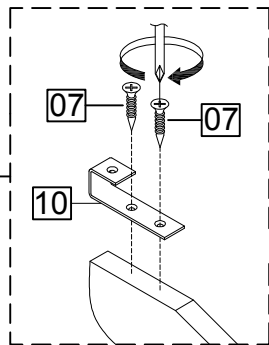
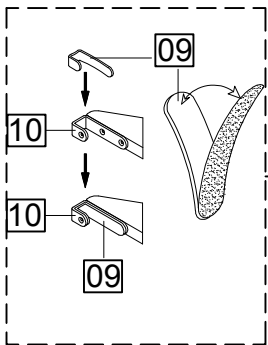


8PCS

10



2PCS

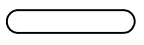


07

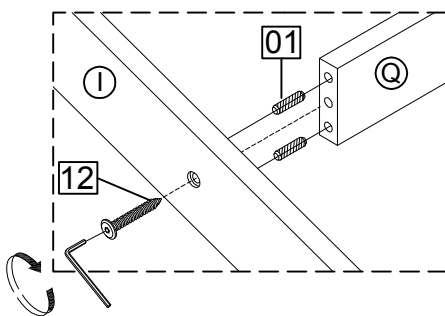


4PCS

09



2PCS

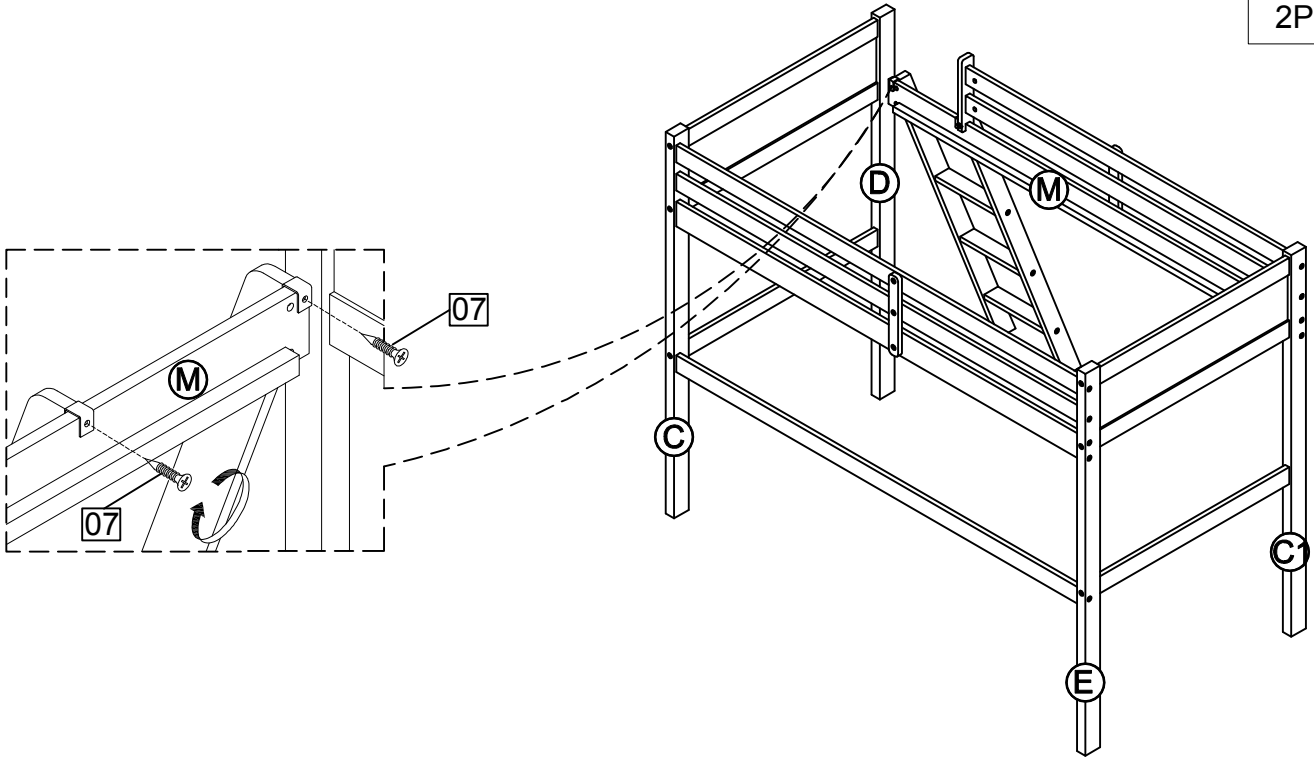


STEP 9:

07



2PCS

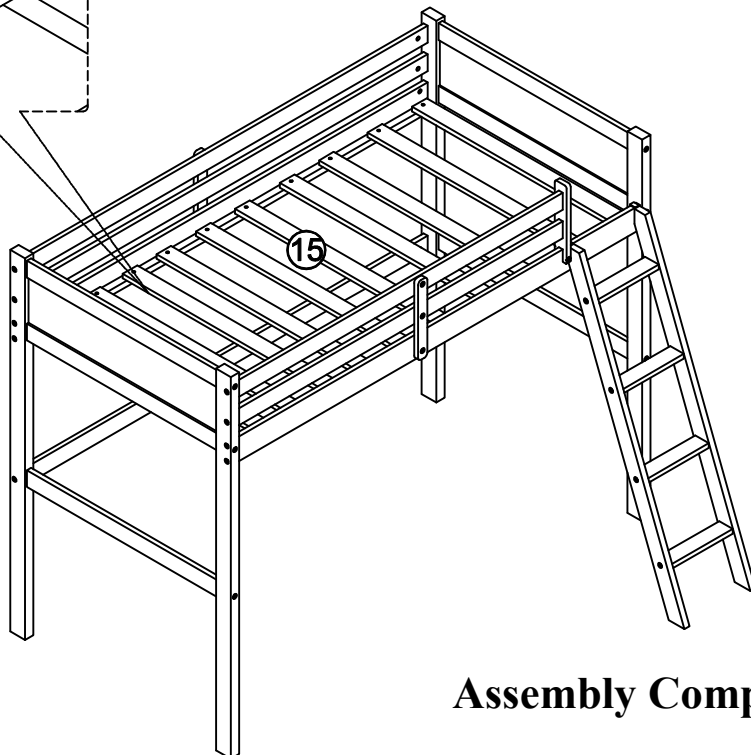
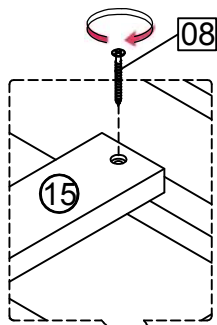


STEP 10:

08



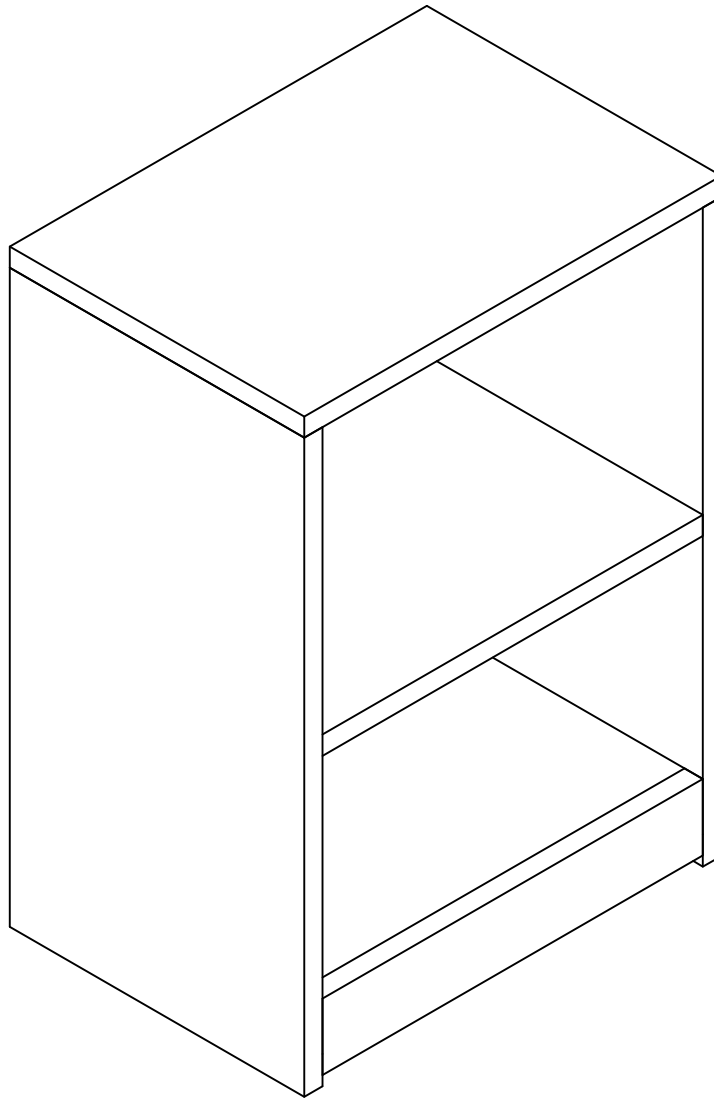
20PCS



Assembly Complete

ASSEMBLY INSTRUCTIONS

CABINET



PLEASE DO NOT RETURN PRODUCT TO THE STORE.

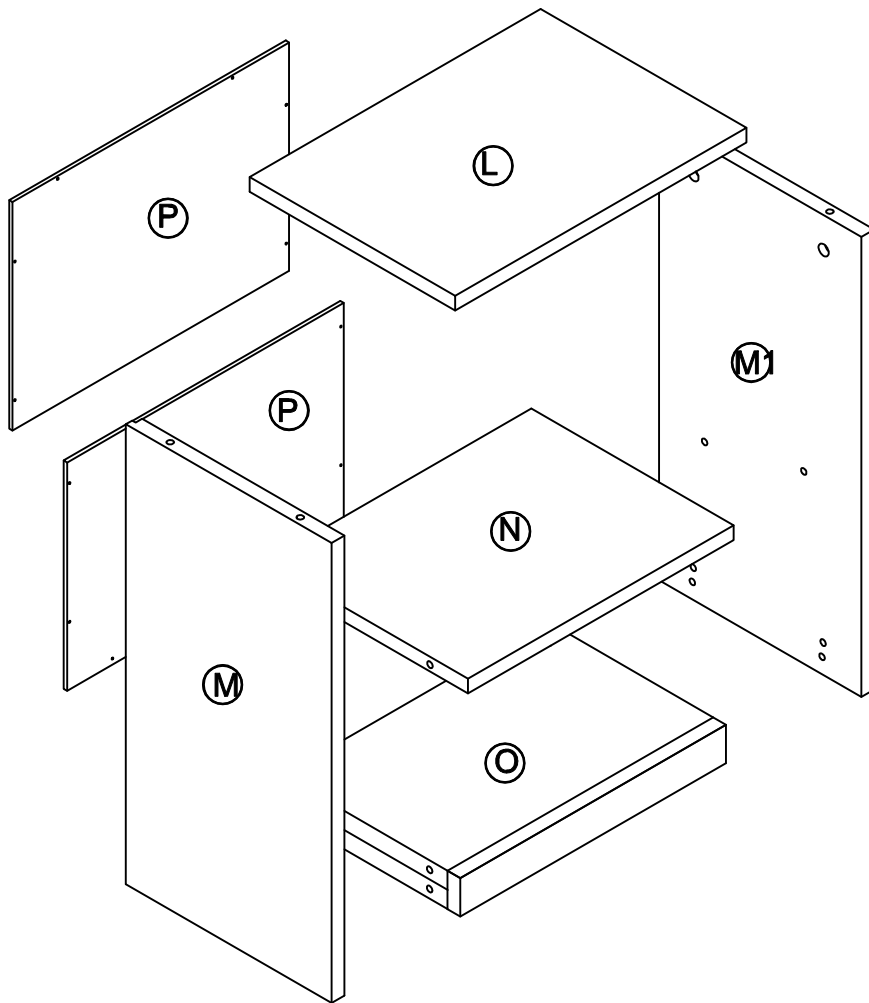
If you have any problem or concerns, please feel free to contact our customer service department. We will reply you as soon as possible.

WF194043



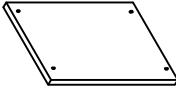
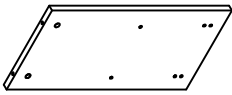
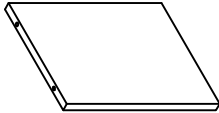
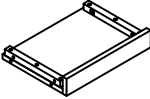

E-Mail: csr@merax.com
Tel: 626-912-8886 Ext.100

DETAIL VIEW




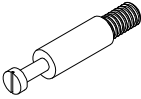
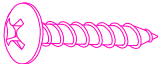

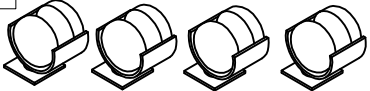


WF194043

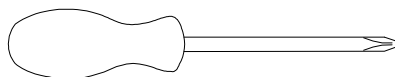
PART LISTS

L		M		N	
Top panel-1pc		Side panel (R/L)-2pcs		Shelf panel-1pc	
O		P			
Bottom frames -1pc		Back panel -2pcs			

HARDWARE LISTS



9		10		11	
Ø8" x 30 mm Wood dower 8pcs		Ø1/4" x 30 mm Hex-Head bolts (4pcs)		Ø15 x 10mm Cam Lock (4pcs)	
12		13		14	
Ø7 x 35mm Cam stud (4pcs)		#3.5*15mm Wood Screws (28pcs)		(1/4")4.5*58mm Allen Key (1pc)	
				15	
				Wheel (4pcs)	

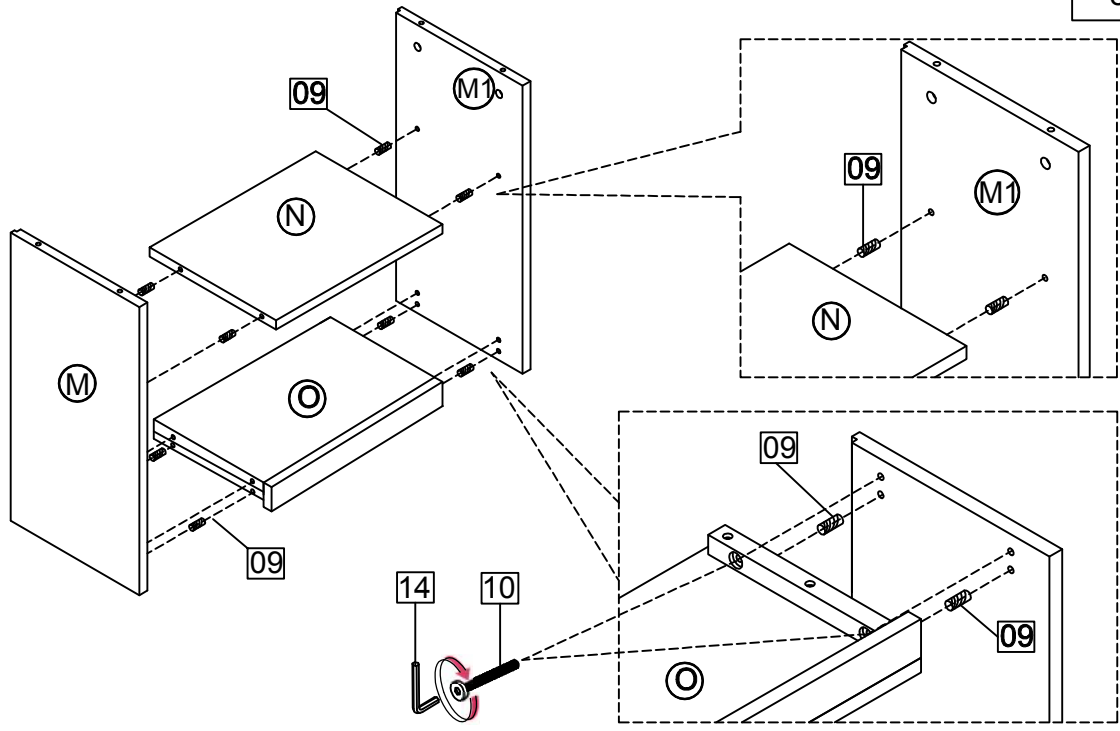
ASSEMBLY TOOLS REQUIRED (NOT INCLUDED)



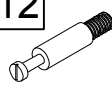

PLEASE BE CAREFUL DO NOT DAMAGE THE HOLE POSITION WHEN YOU USE POWER TOOLS !

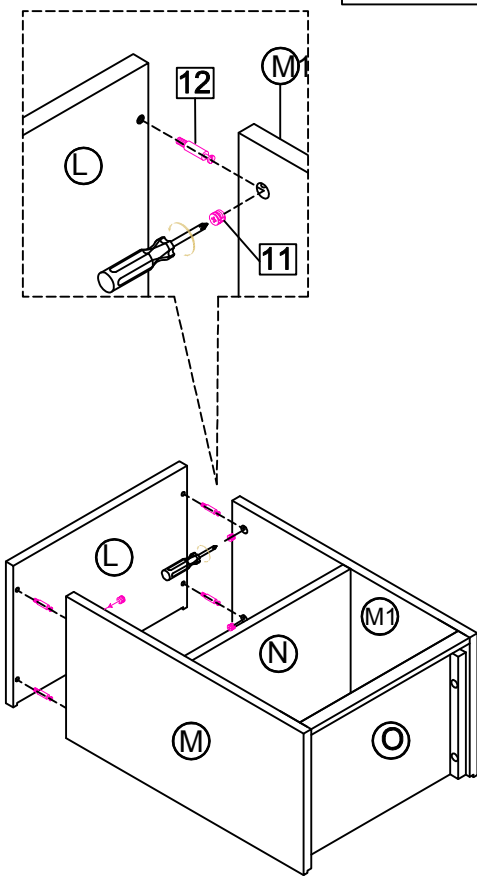
STEP 1:

09		10	
8PCS		4PCS	

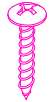


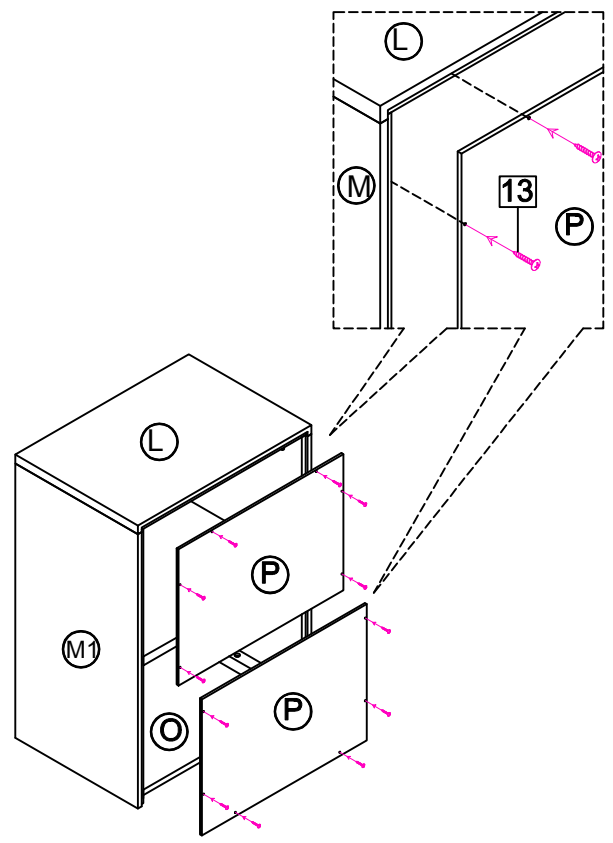
STEP 2:

12		11	
4PCS		4PCS	



STEP 3:

13	
12PCS	

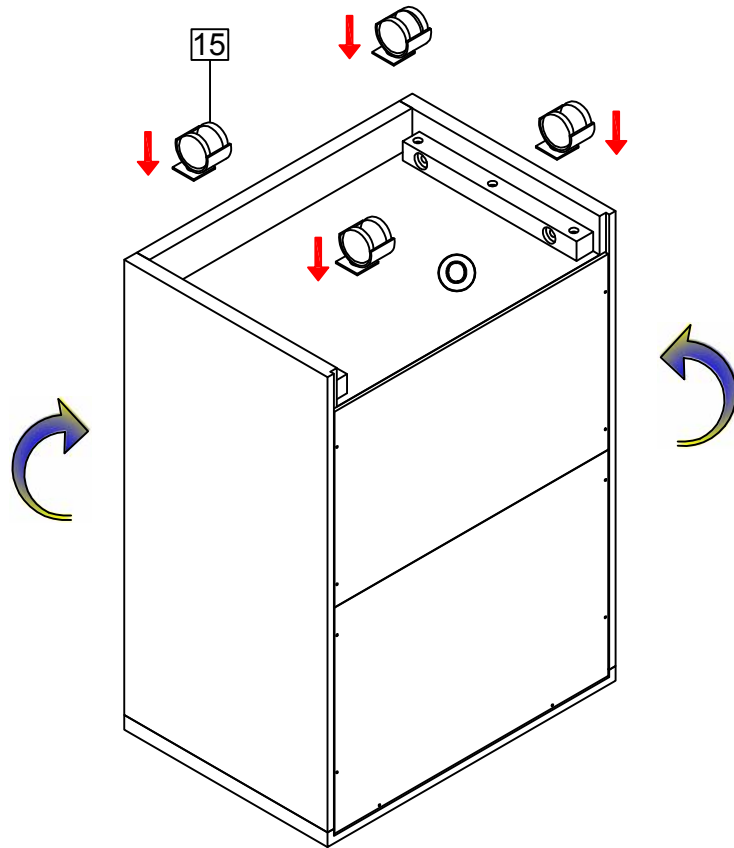


STEP 4:

15



4PCS



STEP 5:

13



16PCS

