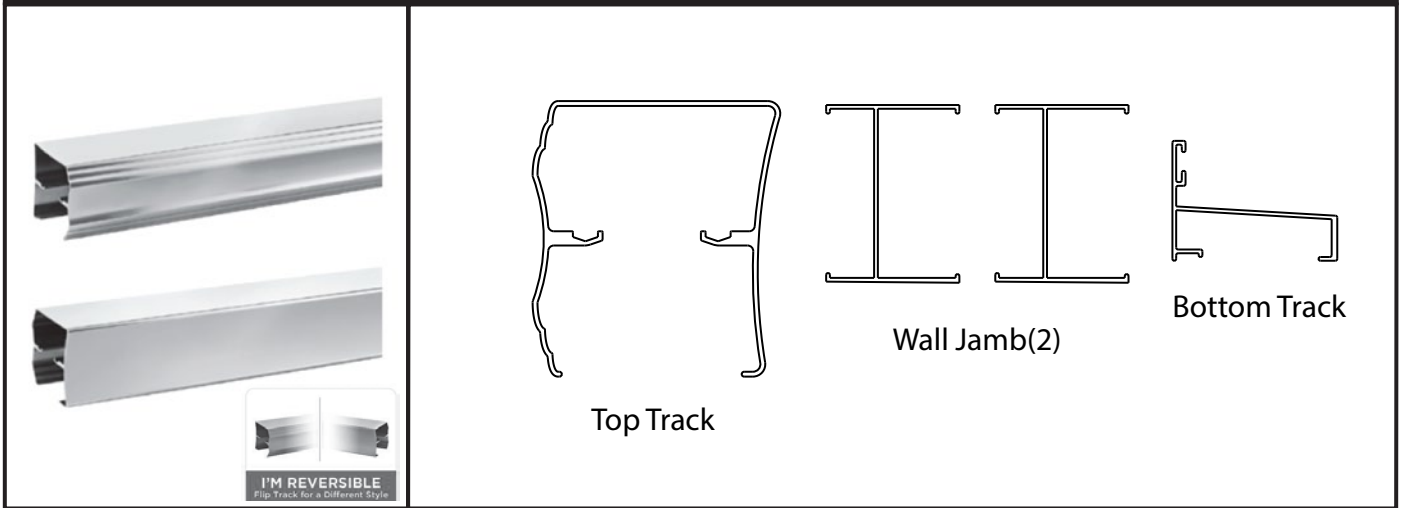


TECHNICAL DATA

Shower Door

SLIDING TRADITIONAL STYLE SHOWER TRACK 48" - 60"



MATERIALS:

Anodized Aluminum Excursions (Track), Bronze Finish is Powder Coated.

INSTALLATION:

Detailed Instructions and Hardware Included for Easy Installation.

UNIQUE FEATURE:

Reversible Top Track Offers Two Unique Design Options.
Constructed of Corrosion Resistant Anodized Aluminum.

48" - 60" Track Assembly Kit:

48" Sliding Shower: Fits Doors with an Opening min/max of 43-3/8" - 47-3/8" (110cm-120cm), with a 70" (178cm) Height.
60" Sliding Shower: Fits Doors with an Opening min/max of 50-1/8" - 59-3/8" (127cm-151cm), with a 70" (178cm) Height.

WARRANTY:

5 Year Limited Warranty.

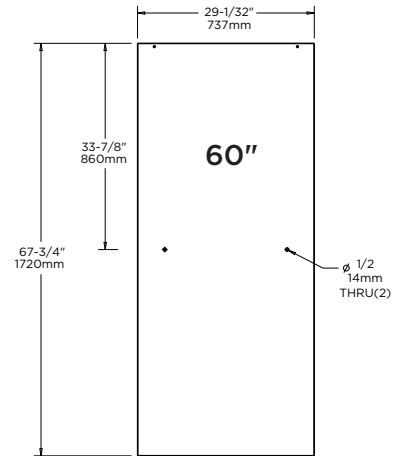
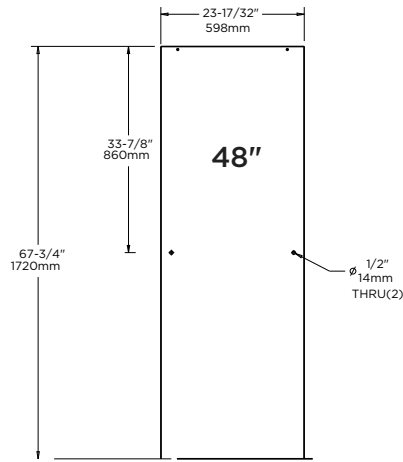


see what Delta can do™

TECHNICAL DATA

Shower Door

SLIDING SHOWER 48" & 60" GLASS PANELS



MATERIALS:

1/4" (6mm) Tempered Glass Panel.

INSTALLATION:

Detailed Instructions and Hardware Included for Easy Installation.

UNIQUE FEATURE:

Spot Guard Easy Clean Coating.

Traditional:

48": Fits Doors with an Opening min/max of 43 3/8" - 47 3/8" (110cm-120cm), with a Height of 70" (178cm).

60": Fits doors with an opening min/max of 50 1/8" - 59 3/8" (127cm-151cm), with a Height of 70" (178cm).

Contemporary:

48": Fits Doors with an Opening min/max of 43 3/8" - 47 3/8" (110cm-120cm), with a Height of 71" (180cm).

60": Fits Doors with an Opening min/max of 50 1/8" - 58 1/2" (127cm-149cm), with a Height of 71" (180cm).

WARRANTY:

5 Year Limited Warranty.

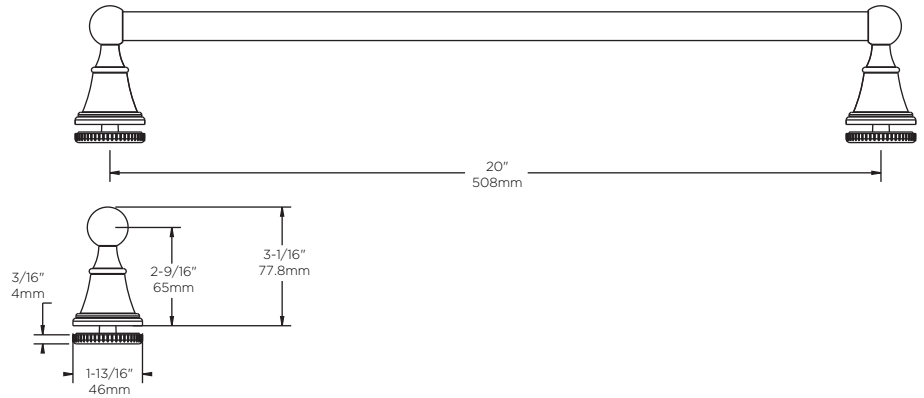


see what Delta can do™

TECHNICAL DATA

Shower Door

CRESTFIELD HANDLE



MATERIALS: Zinc Posts for all, Aluminum Bar: Brushed Nickel, Oil Rubbed Bronze, and Polished Brass. Stainless Steel Bar: Polished Chrome.

INSTALLATION: Detailed Instructions and Hardware Included for Easy Installation.

UNIQUE FEATURE: Coordinates with Delta® Faucets and Bath Hardware.
Compatible with All Delta® Sliding Bathtub or Shower Doors.

WARRANTY: 5 Year Limited Warranty.



see what Delta can do™