



INNOVATIONS FOR LIVING™

STARTER SHINGLE ROLL FOR EAVE & RAKE EDGE



Cut Time—Not Tabs

Introducing Starter Shingle Roll from Owens Corning, the largest manufacturer of world-class roofing materials. This product eliminates the need for cutting shingle tabs or inverting them to create a starter row. So you save time.

Easy Application

Application is a snap too. Simply apply a single course of Starter Shingle Roll along a clean, dry and smooth eave line or rake edge, after removing the release sheet. Apply the Starter Shingle Roll directly onto the WeatherLock® underlayment or a layer of felt. Once it is pressed into place, you're ready to begin shingling. (See application instructions on back.)

The Starter Shingle Roll advantages:

- Eliminates time-consuming tab cutting or shingle flopping
- Comes in handy individual rolls, measuring 7.2" x 33'4"
- Easy peel-and-stick application
- Requires no special tools, hardware or training
- Compatible with the Oakridge® PRO Series™, WeatherGuard® HP, Prominence®, Supreme® and Classic® shingles

STARTER SHINGLE ROLL APPLICATION INSTRUCTIONS

Before installing this product, check roofing manufacturer's application instructions and local building codes for their roofing requirements.

Starter Shingle Roll:

- 1. Eave Application:** Align Starter Shingle Roll with eave edge, granular side up with the seal strip closest to the outer edge of the roof. Remove the release backer and press or roll Starter Shingle Roll to assure full adhesion to the underlayment. See Fig. 1
- 2. Rake Application:** Install drip edge first, then apply Starter Shingle Roll with sealant strip closest to the outer edge of roof. Remove the release backer and press or roll Starter Shingle Roll to assure full adhesion to the underlayment. See Fig. 2
3. If nailing is necessary, install nails within 1" of the top edge of Starter Shingle Roll.
4. Apply shingles once Starter Shingle Roll is installed. Apply shingles according to the shingle manufacturer's instructions.

Fig. 1 Apply to eave

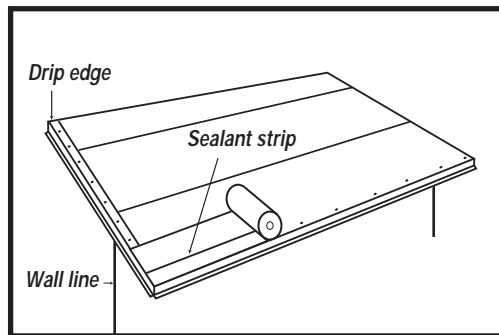
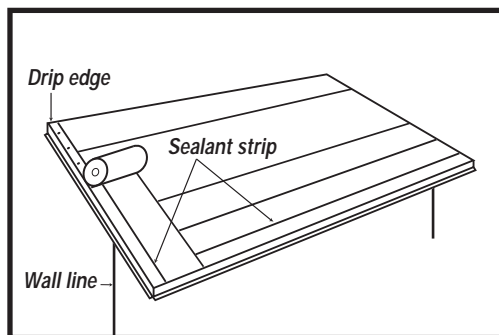


Fig. 2 Apply to rake



Precautionary Note:

The manufacturer will not be responsible for problems resulting from any deviation from the recommended application instructions and the following precautions:

Storage: Store this product in a dry, well-ventilated area and stand upright. Do not store for extended periods over 90°F (32°C).

Nails must be corrosion-resistant, 11- or 12-gauge, with heads at least 3/8" in diameter.

Staples must be 16-gauge minimum, 15/16" minimum crown width and sufficient length to penetrate 3/4" into wood decking or through APA-rated roof sheathing. Staples are to be corrosion protected.

All Fasteners must penetrate at least 3/4" into the wood deck or completely through plywood sheathing.

Notice: Owens Corning recommends the use of nails as the preferred method of attaching shingles to wood decking or other nailable surface.



CAUTION



ROOF SURFACE MAY BE SLIPPERY: Especially when wet or icy. Use a fall protection system when installing. Wear rubber-soled shoes. Walk with care.

FALLING HAZARD: Secure area below work and materials on roof. Wear a hardhat.

WARNING: This product contains a chemical known to the State of California to cause cancer.

CAUTION: May cause slight irritation. Contains Asphalt CAS#8052-42-4, Petroleum Oil CAS#64742-04-7, Styrene

Butadiene Polymer CAS#9003-55-8, Proprietary ingredient, Polymer Film. Repeated skin contact with petroleum oil in rubberized asphalt may increase risk of skin cancer. Avoid prolonged or repeated contact with skin. Eye contact with residue on hands may cause irritation. For more health and physical information, consult your employer or the Material Safety Data Sheet (MSDS) available free from your dealer or by writing: Owens Corning World Headquarters, ATTN: Product Stewardship, One Owens Corning Parkway, Toledo, Ohio 43659; or calling: 1-419-248-8234. If you have a fax machine you can also obtain a copy of the MSDS by calling 1-800-241-MSDS.



OWENS CORNING WORLD HEADQUARTERS
ONE OWENS CORNING PARKWAY
TOLEDO, OHIO, USA 43659



INNOVATIONS FOR LIVING™ www.owenscorning.com 1-800-GET-PINK

Printed in U.S.A. March 2004. THE PINK PANTHER™ & ©1964-2004 Metro-Goldwyn-Mayer Studios Inc. All Rights Reserved. The color PINK is a registered trademark of Owens Corning. ©2004 Owens Corning.

Pub. No. 61119

