



TABLE OF CONTENTS

Options

Grid Options	2
Grille Patterns	3
Trim Options	4
Clear Opening Layout	5

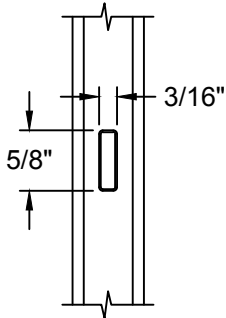
Section Details

Operator:	
Vertical Section	6
Horizontal Section	7
3 Wide - Horizontal Section	8
Flush Fin:	
Vertical Section	9
Horizontal Section	10
Energy Saver Max K - Vertical Section	11

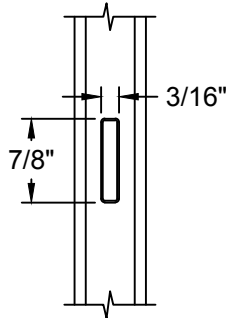


GRID OPTIONS

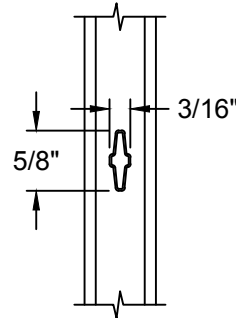
← Exterior / Interior →



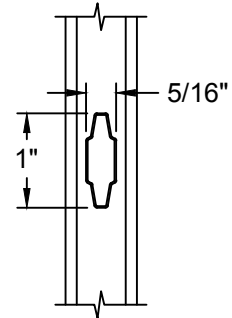
5/8" Flat GBG



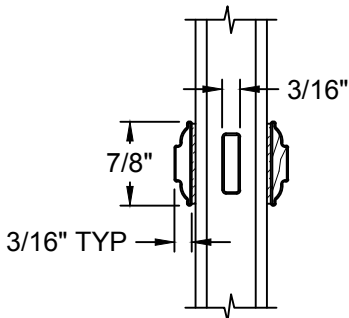
7/8" Flat GBG



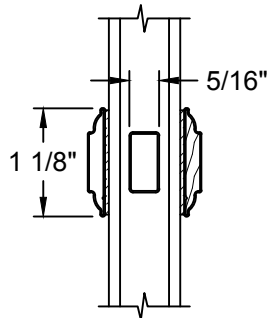
5/8" Contour GBG



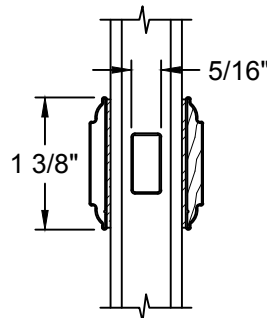
1" Contour GBG



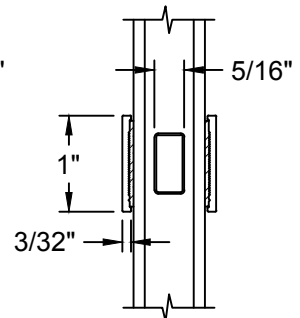
7/8" Contour SDL



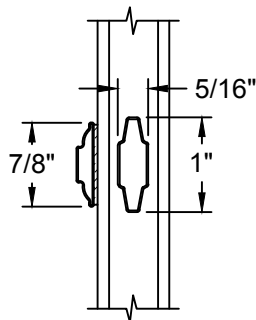
1 1/8" Contour SDL



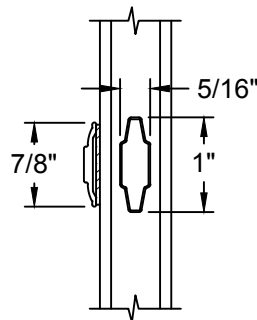
1 3/8" Contour SDL



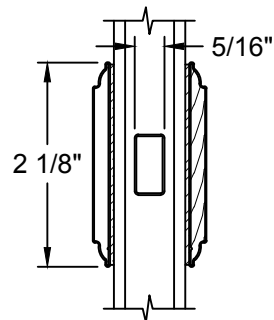
1" Flat SDL



7/8" Contour SDL
1" Contour GBG



7/8" Contour Slim SDL
1" Contour GBG

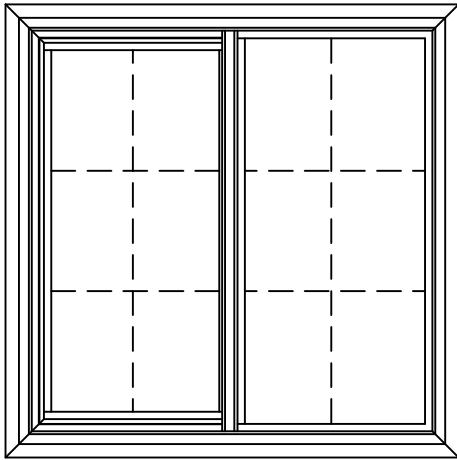


2 1/8" Variable SDL
Non-Intersecting Only

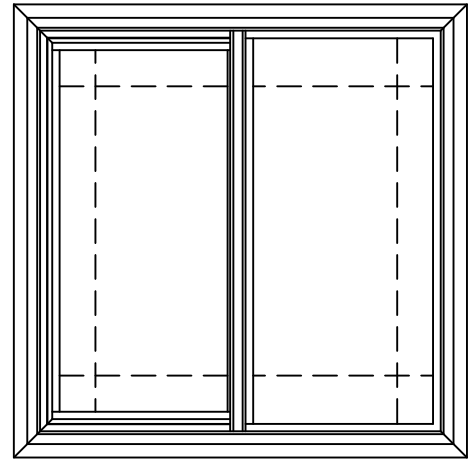
Note: SDL tape thickness is .04"



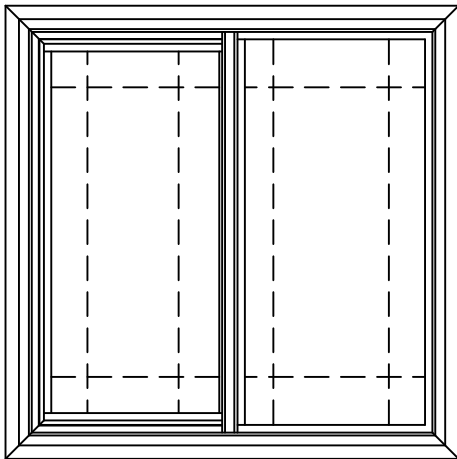
GRILLE PATTERNS



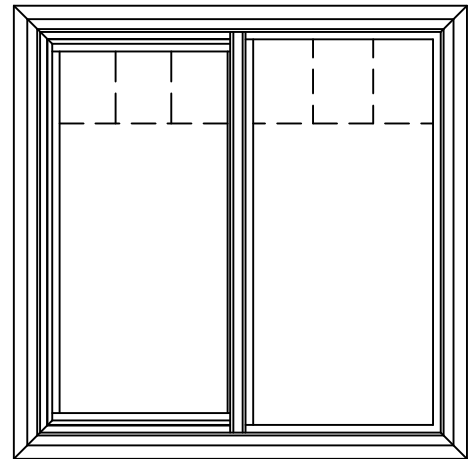
Standard



Prairie Frame



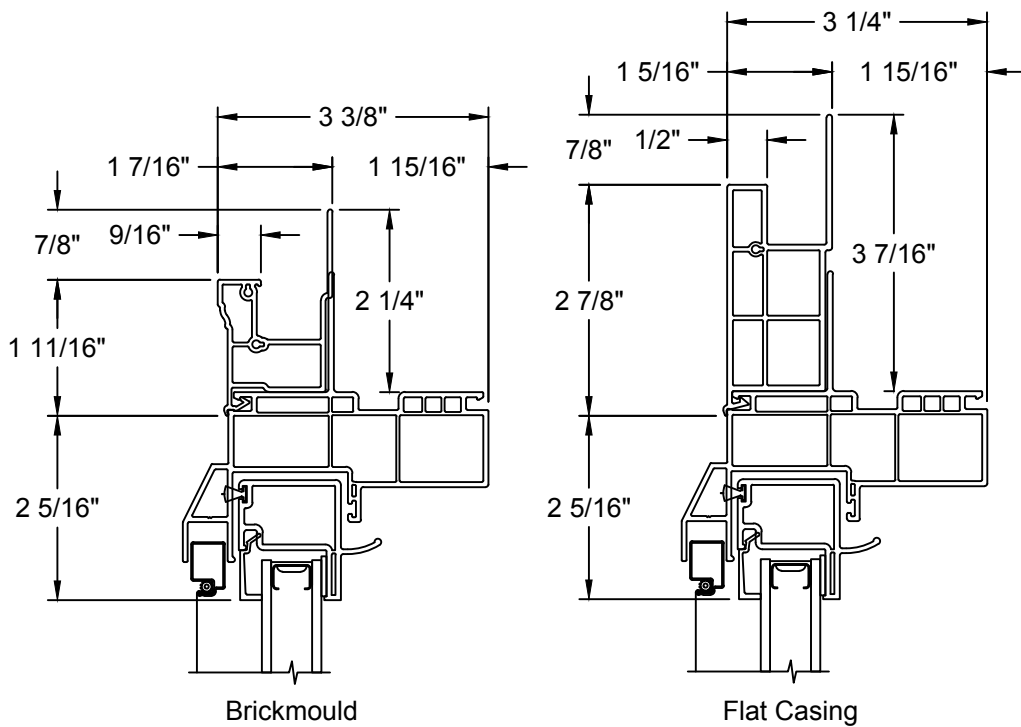
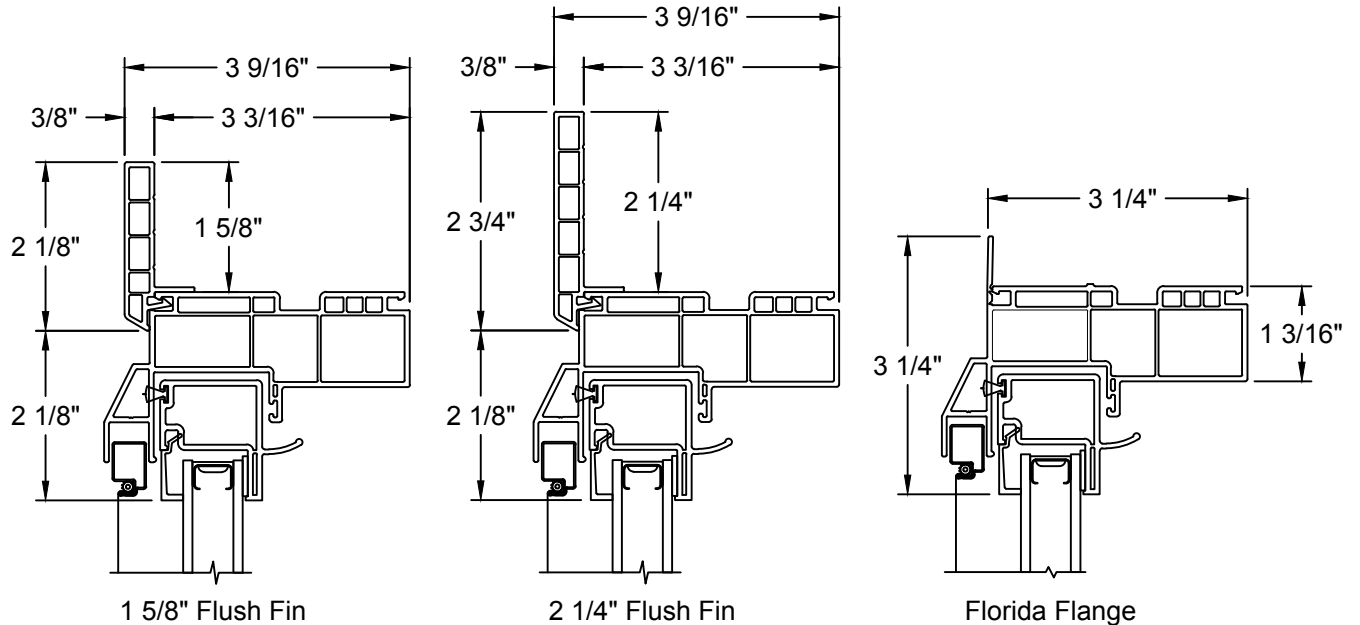
Prairie Glass



Colonial Top Down

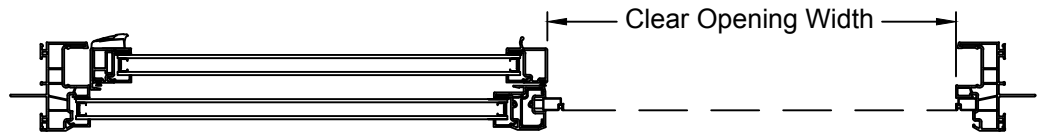
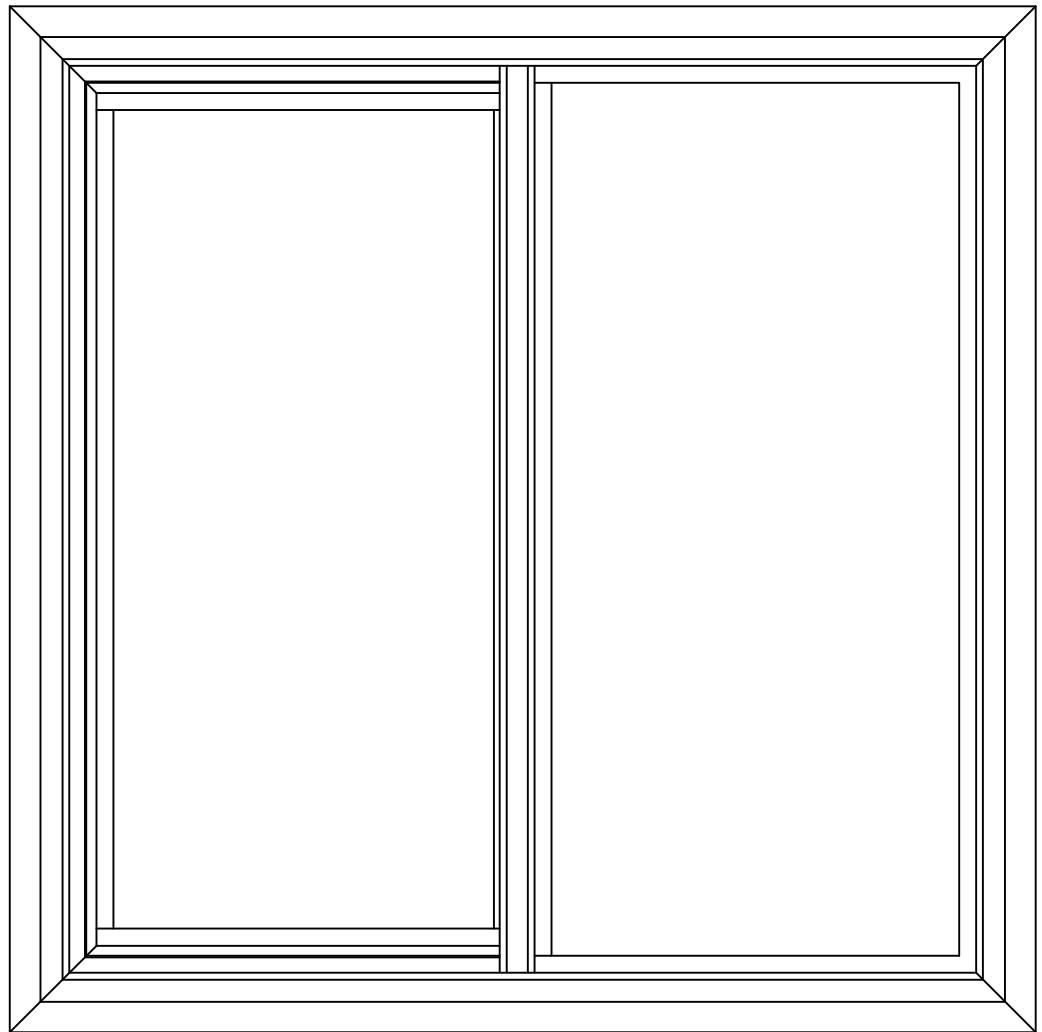
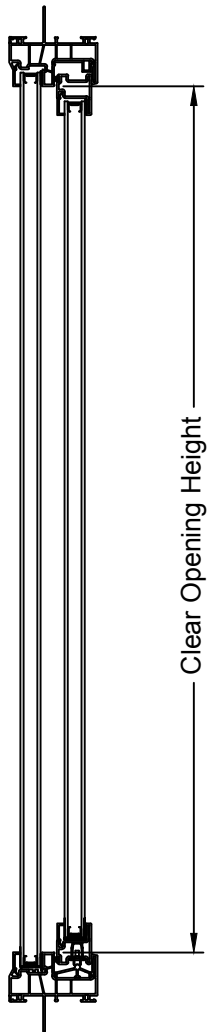


TRIM OPTIONS





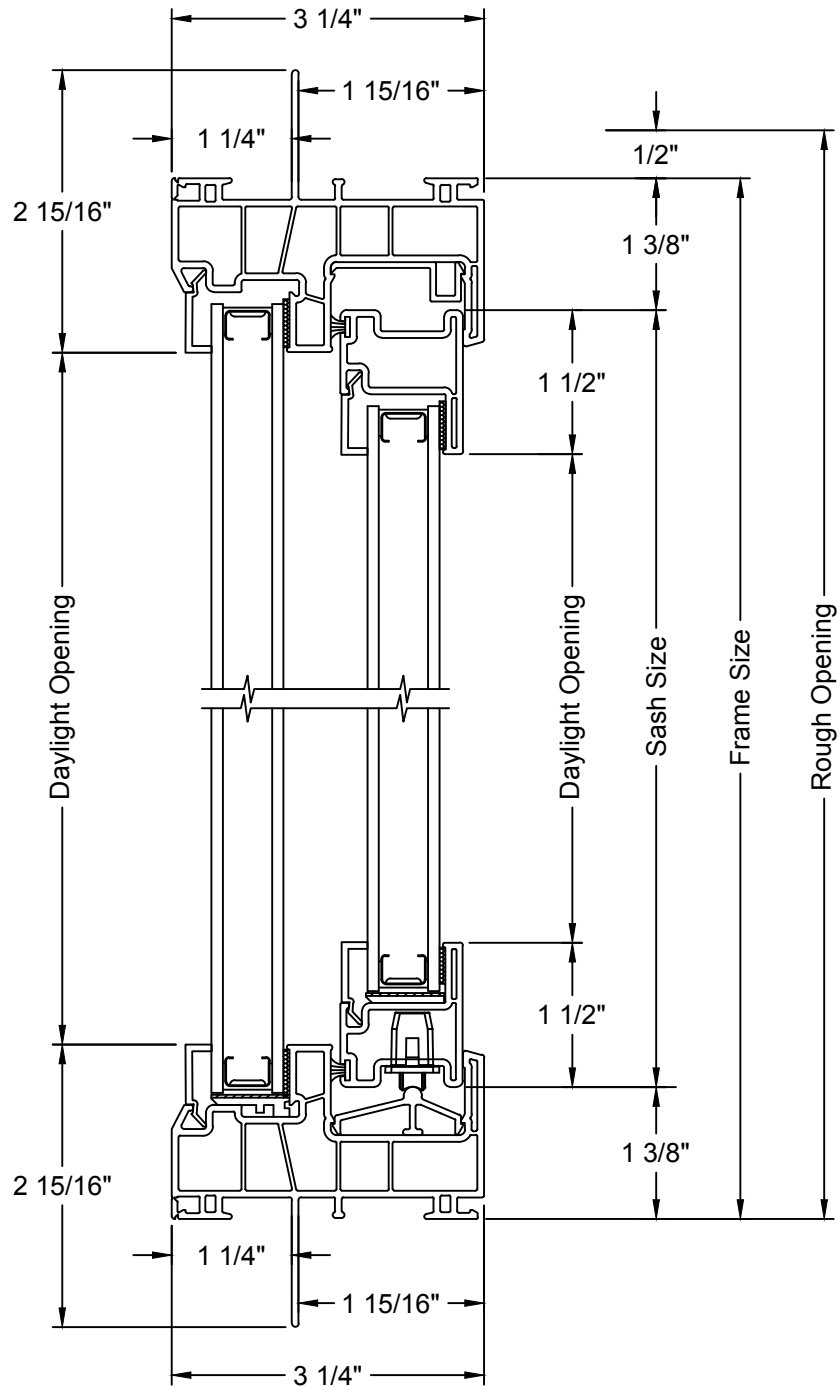
CLEAR OPENING LAYOUT



Clear Opening Formulas		
Window Type	Clear Opening Width	Clear Opening Height
2-Panel	$(\text{Frame Width} / 2) - 2.813"$	Frame Height - 3.688"
3-Panel 1/4 Vent	$(\text{Frame Width} / 4) - 2.78"$	Frame Height - 3.688"
3-Panel 1/3 Vent	$(\text{Frame Width} / 3) - 2.7383"$	Frame Height - 3.688"

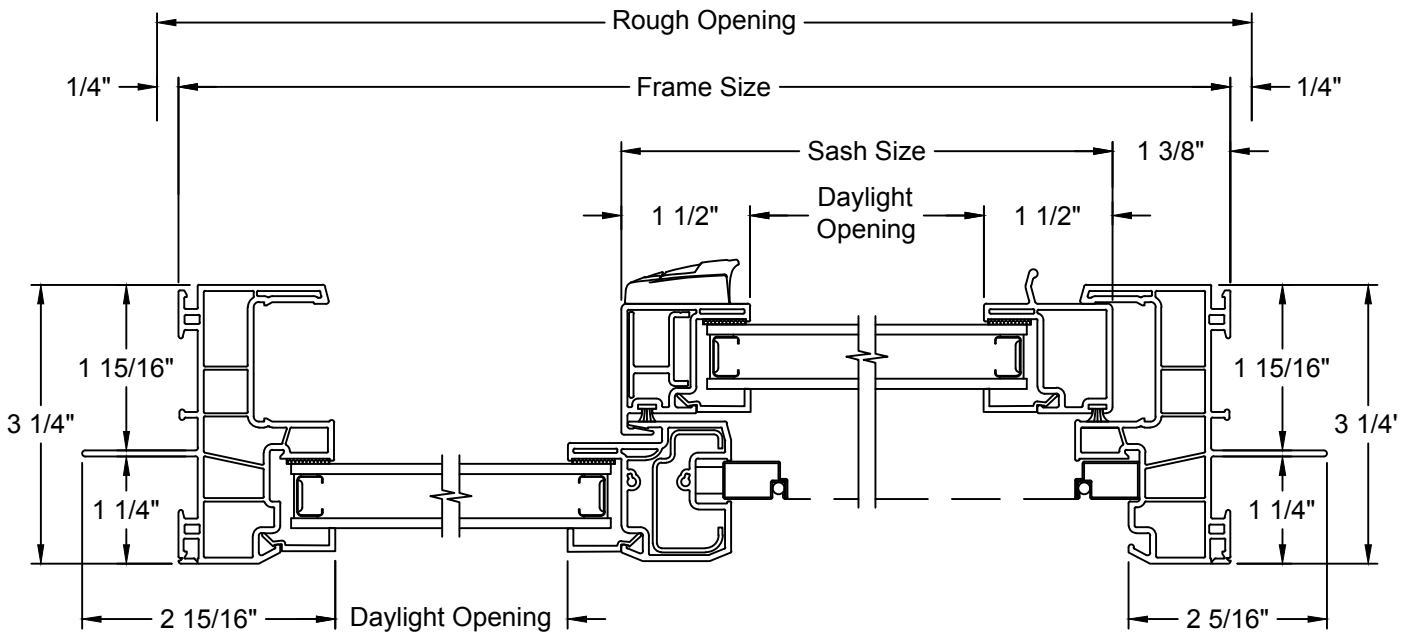


OPERATOR - VERTICAL SECTION



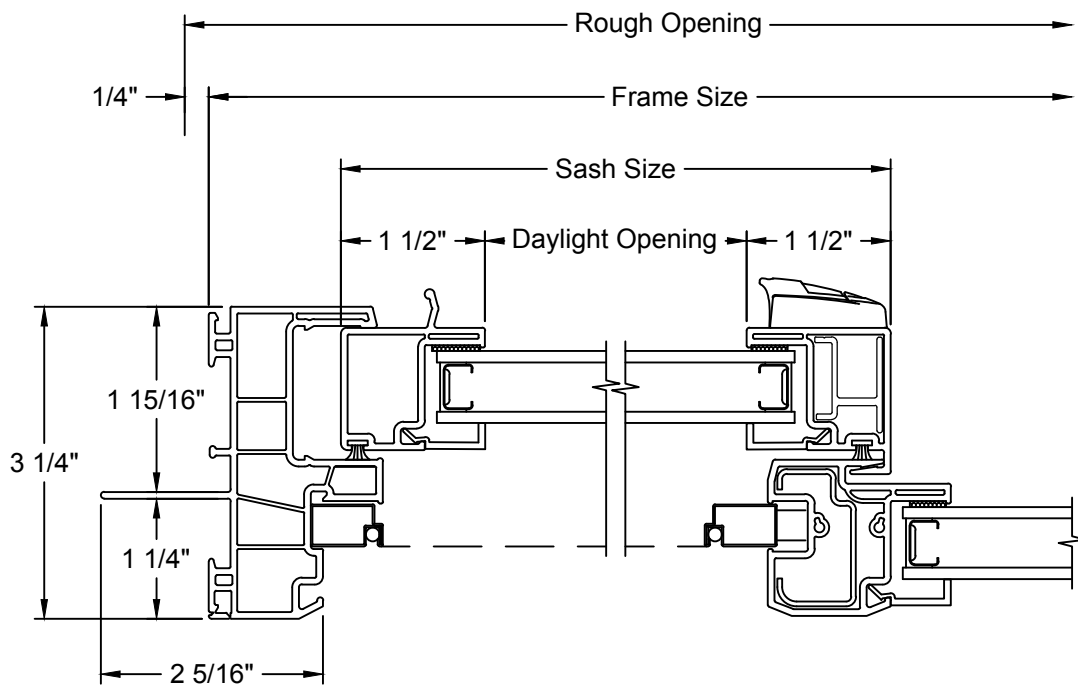


OPERATOR - HORIZONTAL SECTION



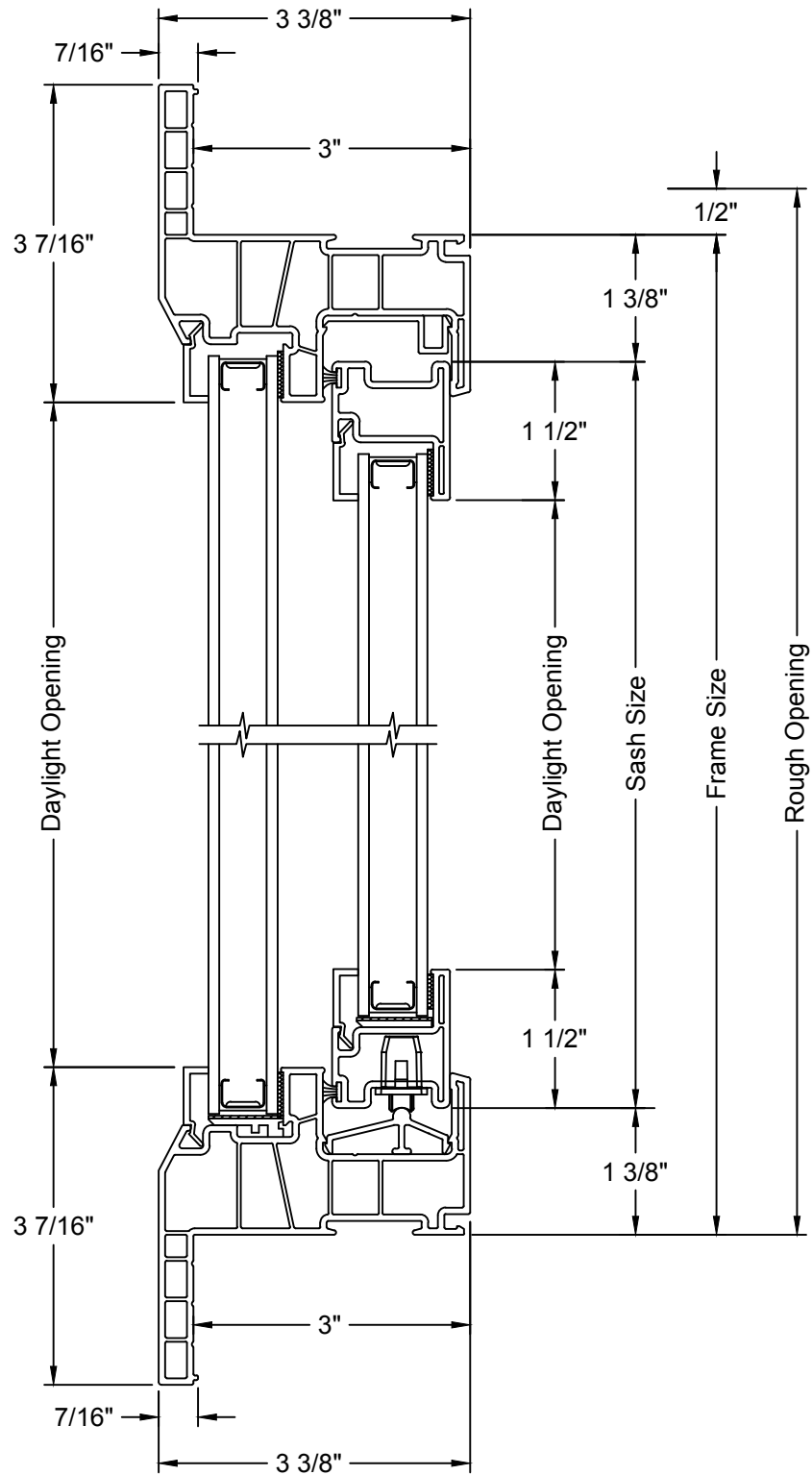


3 WIDE OPERATOR - HORIZONTAL SECTION



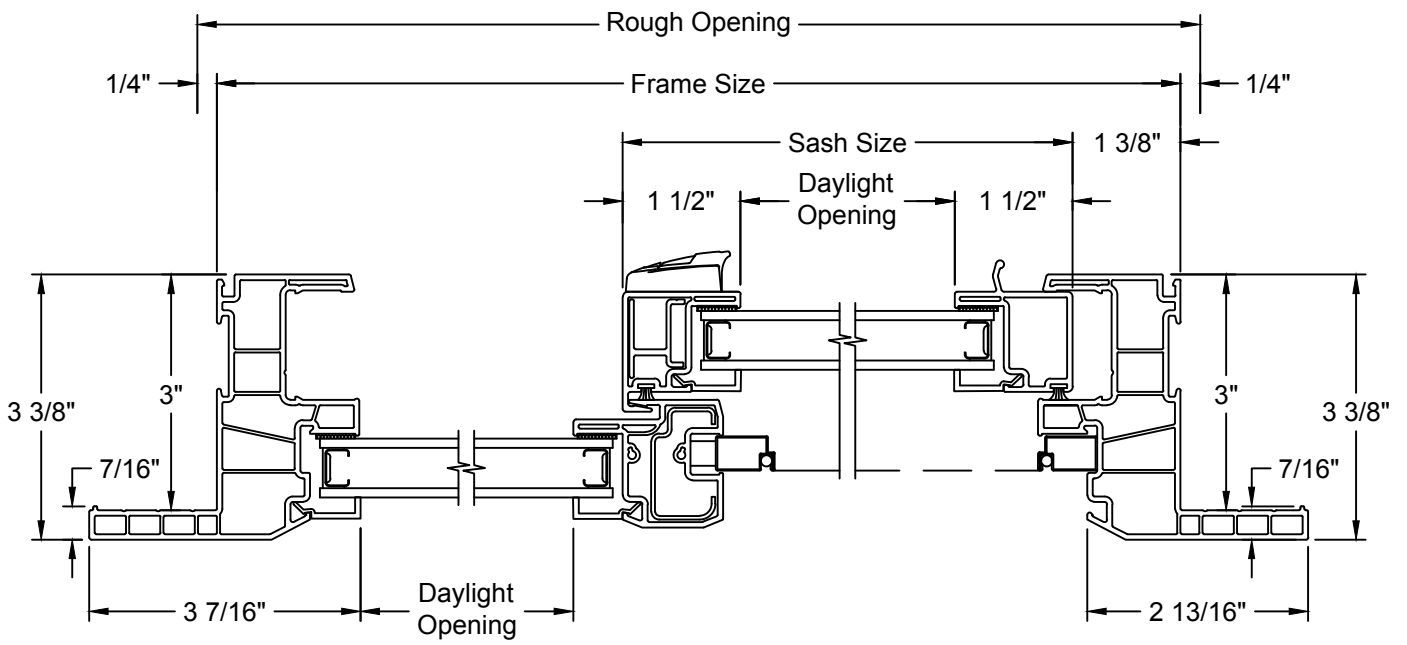


FLUSH FIN - VERTICAL SECTION





FLUSH FIN - HORIZONTAL SECTION





ENERGY SAVER MAX K - VERTICAL SECTION

