

STP

LED Step Light

Project _____

Catalog _____

Type _____

Date _____

Product Description

NICOR's LED Step Lights are a great complement for your residential and commercial projects. This step light not only provides a touch of safety, but it offers a warm, natural glow making it a perfect accent for any project. For a truly customizable choice, this LED step light offers paintable faceplates making them versatile for any application. Wet location approved for indoor and outdoor use.

Construction

Stamped aluminum faceplates
High efficiency, fully sealed, maintenance-free LED chamber

Optical System

Louver to conceal LEDs and provide a unique light distribution pattern

Electrical

Long-life LED system coupled with electrical driver to deliver optimal performance per watt
Operating temperature rating of -10°F to 122°F (-23°C to 50°C)
TM-21 Projected L70(6k) life 50,000 hours
Input voltage of 120V

Mounting and installation

Mounts directly in a non-metallic single gang box
Modular design allows fixture to be mounted in horizontal or vertical orientation
Wet location approved for indoor and outdoor use

Finish

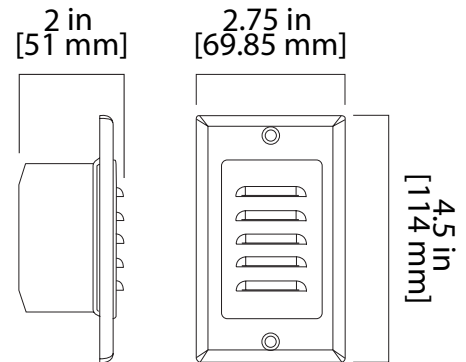
White powder coat finish

Options

May be mounted in vertical (as provided from factory) or horizontal orientation
Available in White, Black and Oil-Rubbed Bronze, in both Vertical and Horizontal *(White vertical faceplate included)*

Warranty

5-year limited system warranty standard



PRODUCT INFORMATION

Color Temperature:	2700K
LED Lifetime Projected (Hrs):	50,000
Input Voltage (V):	120V
Power Draw (W)	1W
Trim Height:	4.5 in (114 mm)
Trim Width:	2.75 in (69.85 mm)
Fixture Depth:	2 in (51 mm)

Ordering Information

Example: STP-10-120-WH

Series	Version	Voltage	Color
STP	10	120	WH

Faceplate Ordering Information

Horizontal		
FPHBK (Black)	FPHOB (Oil-Rubbed Bronze)	FPHWH (White)
Vertical		
FPVBK (Black)	FVOB (Oil-Rubbed Bronze)	