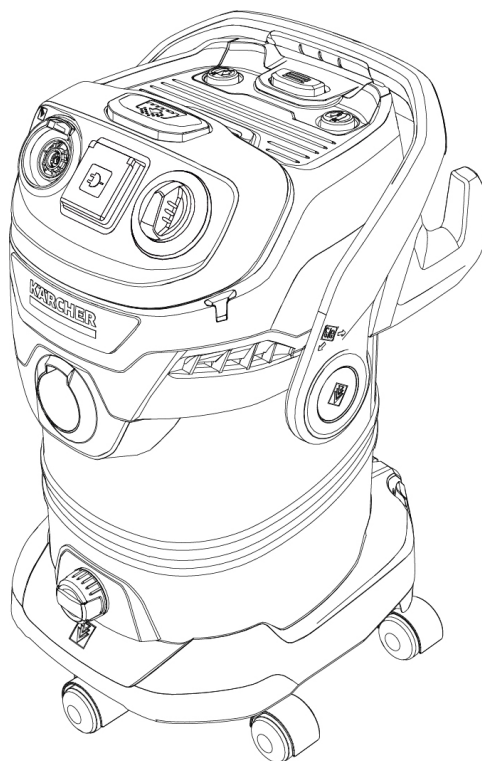


## WD 6 PS

English	2
Español	15
Français	30



**Register  
your product**  
[www.kärcher.com/welcome](http://www.kärcher.com/welcome)



59510800 (22.04)

## Contents

WET/DRY VACUUM OPERATOR MANUAL .....	2
IMPORTANT SAFETY INSTRUCTIONS .....	2
GROUNDING INSTRUCTIONS.....	3
Customer Service .....	5
Technical data .....	5
Environmental protection .....	5
Accessories and spare parts.....	5
Description of the device.....	6
Mount the steering rollers and accessory storage holder .....	7
Initial startup.....	8
Operation .....	9
Care and service.....	13
Troubleshooting guide.....	14

## IMPORTANT SAFETY INSTRUCTIONS

When using this product basic precautions should always be followed, including the following:

### READ ALL INSTRUCTIONS BEFORE USING THIS MACHINE

This device is exclusively intended for private household use.

### WARNING

Read all safety warnings and all instructions. Failure to follow the warnings and instructions may result in electric shock, fire and/or serious injury.

To reduce the risk of fire, electric shock, or injury:

- Never leave the device unsupervised while it is plugged in. Pull the plug out of the power socket when not using the device and before all maintenance work.
- Turn off all controls before unplugging
- Unplug before connecting accessories.
- Check that the outlet voltage matches the information on the type plate.
- Use only accessories recommended by the manufacturer.
- Use and store the device only in dry indoor spaces at ambient temperatures above 32 °F (0 °C). Protect the device from moisture.
- Store the device in closed rooms.
- Store the device in a suitable location after use to avoid tripping accidents.
- Do not use the device outdoors or on wet surfaces.
- Do not expose to rain.
- Repairs are only to be carried out by qualified personnel. Ensure that only identical original spare parts are installed.
- Immediately replace a damaged power cable with an original part.
- If the power cable is damaged, or the device has fallen down, has been left outside or has been immersed in water, please contact our Customer Service department before using it.
- Never touch the device, plug or outlet with wet hands.
- Do not carry the device by the power cable.
- Protect the power cable from heat, sharp edges, oil and moving parts.

- Always pull the plug and never the cable in order to disconnect the device from the electrical outlet.
- Never use the device with an extension cord.
- Never use the device without a dust container and / or filter.
- Do not vacuum any flammable or ignitable liquids, e.g. gasoline. Do not use the device in an environment containing flammable or ignitable liquids.
- Do not vacuum burning or glowing objects, e.g. cigarettes, matches or hot ash
- Only use the device for the intended use.
- The device is not a toy. Exercise special care when using the device in the presence of children.
- Avoid vacuuming up hard and/or sharp objects with the device. These can damage the device and the filter.
- The device must be placed horizontally on the floor during use.
- Unintentional starting of the device: Ensure that the device is switched off before lifting or transporting it.
- Exercise caution when using the device on stairs.
- Never insert objects into the device openings. Do not use the device if the device openings are blocked.
- Keep the device free of all materials that can reduce the air flow, e.g. dust, fluff or hair.
- Danger of being pulled in: Keep hair, loose clothing, fingers and body parts away from openings and moving parts in the device.
- Do not vacuum poisonous substances, e.g. chlorine bleach, ammonia, drain cleaner.

- Connect to a properly grounded outlet only. See grounding instructions.

## SAVE THESE INSTRUCTIONS

### GROUNDING INSTRUCTIONS

- This device must be grounded. If it should malfunction or break down, grounding provides a path of least resistance for electric current to reduce the risk of electric shock.
- This device is equipped with a cord having an equipment grounding conductor and ground plug.
- The plug must be inserted into an appropriate outlet that is properly installed and grounded in accordance with all local codes and ordinances.

### WARNING:

- Improper connection of the equipment grounding conductor can result in a risk of electric shock.
- Check with a qualified electrician or service person if you are in doubt as to whether the outlet is properly grounded.
- Do not modify the plug provided with the appliance.
- If it will not fit the outlet, have a proper outlet installed by a qualified electrician.
- This appliance is for use on a nominal 120-volt circuit, and has a grounded plug that looks like the plug illustrated in Fig.A.
- Make sure that the appliance is connected to an outlet having the same configuration as the plug. No adaptor should be used with this appliance.

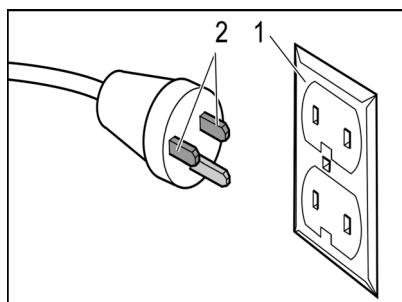
- **DO NOT ATTEMPT TO REPAIR POWER CORD.**

**IN ALL CASES, MAKE SURE THE RECEPTACLE IN QUESTION IS PROPERLY GROUNDED.**

**NEVER REMOVE GROUNDING PRONG FROM POWER PLUG. EXTENSION CORDS**

If an extension cord is absolutely necessary, an extension cord rated a minimum of 15 ampere 14 gauge cord should be used. Cords rated for less amperage may overheat. Care should be taken to arrange the cord so it cannot be pulled or tripped over.

**Figure A**



- 1 Grounded outlet box
  - 2 Current carrying prongs
- Grounding prong is longest of the 3 prongs.

### Hazard levels

## ⚠ DANGER

- Indication of an imminent threat of danger that will lead to severe injuries or even death.

## ⚠ WARNING

- Indication of a potentially dangerous situation that may lead to severe injuries or even death.

## ⚠ CAUTION

- Indication of a potentially dangerous situation that may lead to minor injuries.

# ATTENTION

- Indication of a potentially dangerous situation that may lead to damage to property.

### Intended use

Only use the device in private households.

The device is intended for use as a wet and dry vacuum cleaner in accordance with the descriptions and the safety instructions given in these operating instructions.

Cold ashes may only be vacuumed with suitable accessories.

Protect the device from rain and do not store it outdoors.

## Note

The manufacturer is not liable for any damage caused by improper use or incorrect operation.

### Owner/User Responsibility

The owner and/or user must have an understanding of the manufacturer's operating instructions and warnings before using this device.

Warning information should be emphasized and understood.

If the operator is not fluent in English, the manufacturer's instructions and warnings shall be read to and discussed with the operator in the operator's native language by the purchaser/owner, making sure that the operator comprehends its contents. Owner and/or user must study and maintain for future reference the manufacturer's instructions.



## Customer Service

### Registration

Your device must be registered in order to help with any questions or issues that you have. You can register your device at [www.karcher-register.com](http://www.karcher-register.com) if located in the U.S.A., [www.karcher.ca](http://www.karcher.ca) if located in Canada, or [www.karcher.com/mx](http://www.karcher.com/mx) if located in Mexico.

### Warranty

In the case of a warranty claim, you can contact customer support. Please see the contact information listed below for either the USA, Canada, or Mexico. You MUST provide your proof of purchase in order to file a warranty claim either via email, phone, or fax.

### USA Customer Service

You can contact our Customer Service department by phone at **1-800-537-4129** or via the website at [www.karcher-help.com](http://www.karcher-help.com)

### Mexico Customer Service

You can contact our Customer Service department by phone at **01-800-024-13-13** or via the website at [www.karcher.com/mx](http://www.karcher.com/mx).

### Canada Customer Service

You can contact our Customer Service department by phone at **1-800-465-4980** or via the website at [www.karcher.com/ca](http://www.karcher.com/ca).

### Scope of delivery

The scope of delivery for the device is shown on the packaging. During unpacking, check the contents for completeness. If any accessories are missing or in the event of any shipping damage, please notify our Customer Service department as stated above either by phone or via the website.

## Technical data

### Electrical connection

Voltage	V	120
Frequency	Hz	60
Power consumption	A	11
Max. connection output of socket	A	6
Power cable type	3xAWG14SJTW	

### Device performance data

Tank content	gal (l)	7.9 (30)
Water absorption with handle	gal (l)	5.0 (19)
Water absorption with floor nozzle	gal (l)	4.7 (18)
Sound pressure level (EN 60704-2-1)	dB(A)	74

### Weight

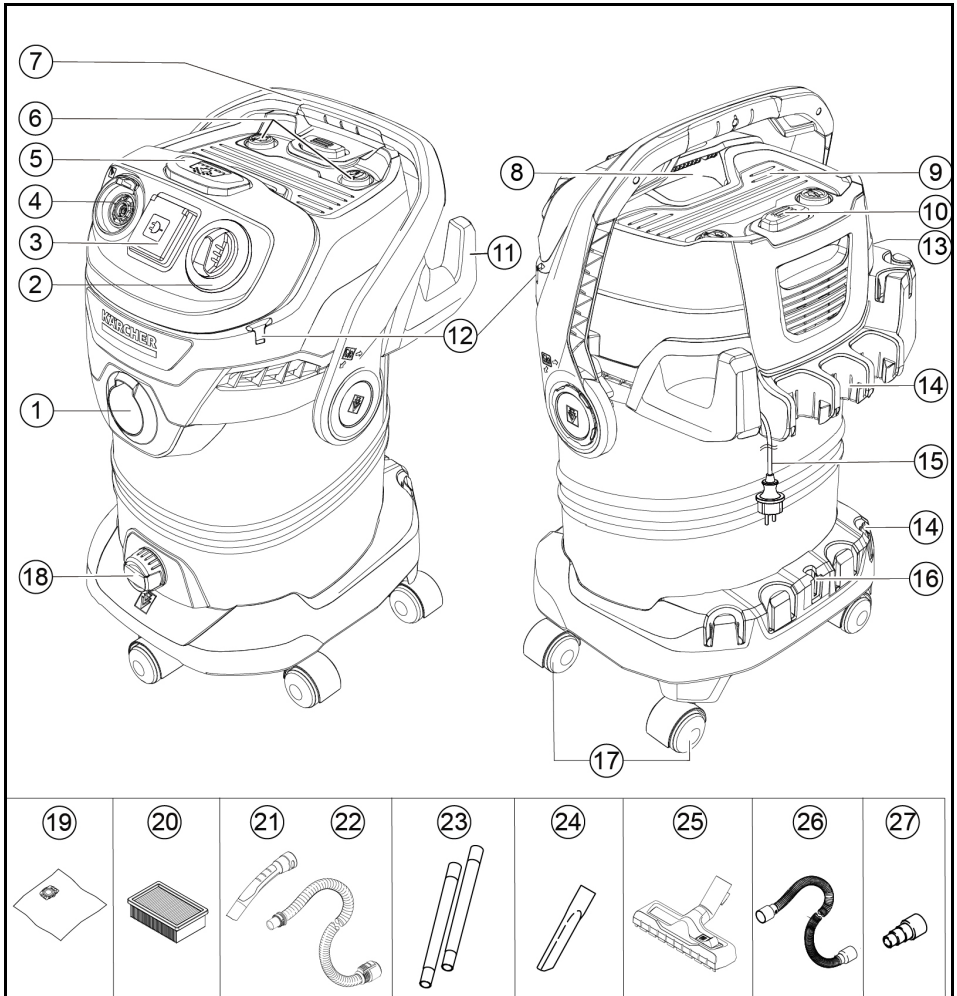
Weight (without accessories)	lbs (kg)	21.8 (9.9)
Part number	1.628-375.0	

Subject to technical changes without notice.

## Description of the unit

Depending on the model selected, there are differences in the equipment.

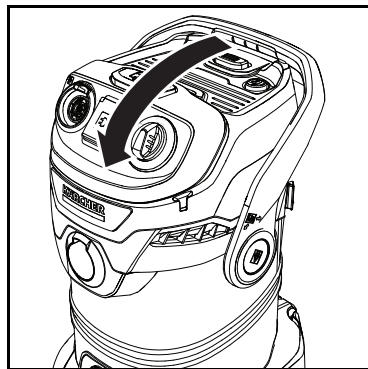
The specific equipment is described on the device packaging.



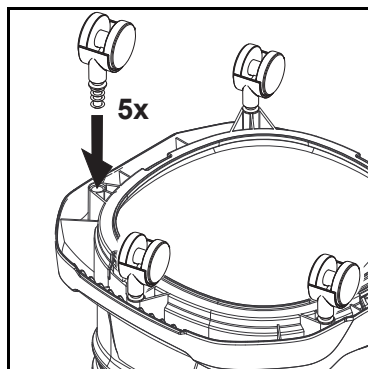
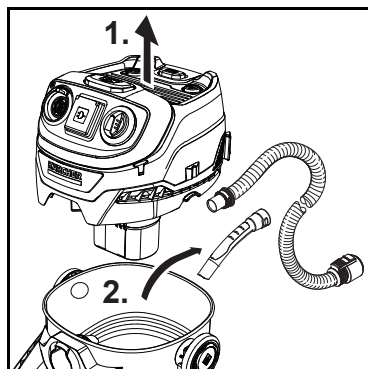
- ① Suction hose connection
- ② Rotary switch (with power regulation for devices with a power socket)
- ③ Power socket
- ④ Blower function
- ⑤ Filter cleaning button
- ⑥ Handle parking position
- ⑦ Carrying handle
- ⑧ Recessed grip
- ⑨ Storage area
- ⑩ Filter box and unlocking button
- ⑪ Cable hook
- ⑫ Suction hose storage (both sides)
- ⑬ Rating plate with technical data (e.g. container size)
- ⑭ Accessory storage
- ⑮ Mains connection cable with mains plug
- ⑯ Floor nozzle parking position
- ⑰ Steering roller
- ⑱ Drain screw
- ⑲ Filter bag
- ⑳ Flat pleated filter
- ㉑ Removable handle with electrostatic protection
- ㉒ Suction hose with connection piece
- ㉓ Suction tubes 2 x 0.5 m
- ㉔ Crevice nozzle
- ㉕ Floor nozzle
- ㉖ Flexible tool hose
- ㉗ Adapter for connecting power tools

## Mount the steering rollers and accessory storage holder

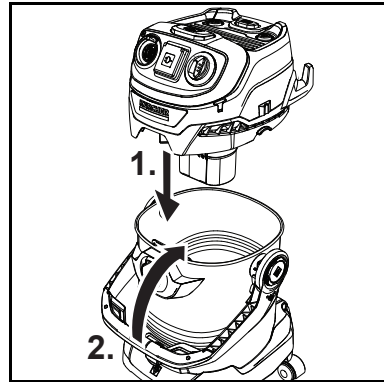
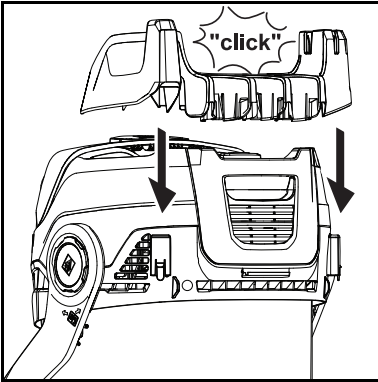
1. The carrying handle also locks the device head and container. To unlock, swivel the bracket all the way forward until the lock is free.



2. Before using for the first time, remove the contents from the container and mount the steering rollers.

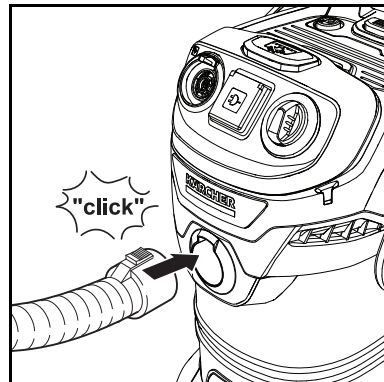


3. Clip the accessory storage holder on the back of the device head.

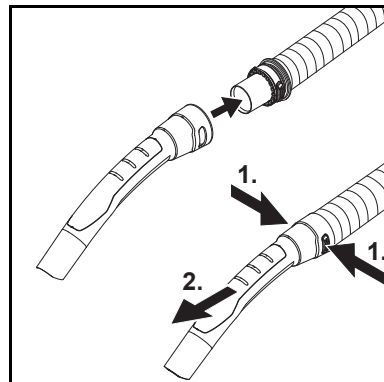


### Using accessories

1. Connect the suction hose.



2. Connect the suction hose to the handle.



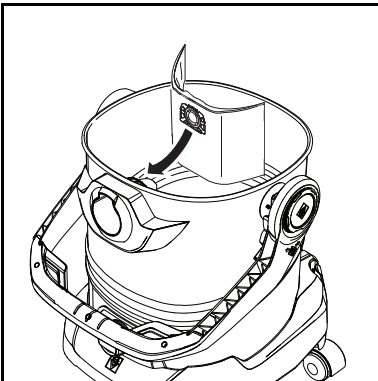
## Note

For versions with stainless steel tubes, remove the protective cover before using for the first time.

### Initial startup

#### Fitting the filter bag

1. Unfold the filter bag completely.
2. Attach the filter bag to the device connection and press it on firmly.



3. Fit and lock the device head.

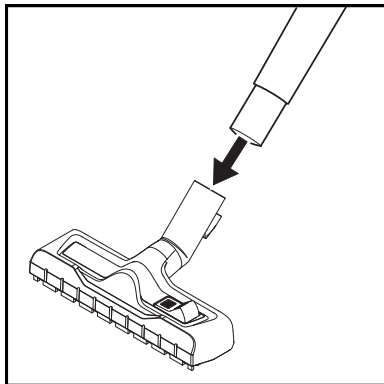
# Note

For convenient vacuuming in confined spaces, the handle can be removed and the accessory attached directly to the suction hose.

To release the handle, press the gray areas on both sides of the handle and pull the handle off the hose.

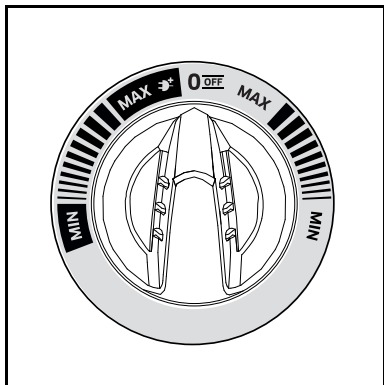
3. Connect the floor nozzle to the suction tubes.


- Use the position with the brush strips extended to vacuum dry dirt.
- Use the position with squeegees extended to suck up damp dirt / water.



## Starting up the device

1. Plug the power plug into a electrical outlet.
2. Set the power switch to the desired position.



- "MAX" position: The suction / blower function is activated.
- MAX position : The suction is activated automatically when a power tool is connected.
- Position "0 OFF": The device is switched off.

# Note

As long as the device is supplied with power, the device socket can be used as a power source.

## Operation

# ATTENTION

## Missing flat pleated filter

Device damage

Always work with the flat pleated filter inserted.

# Note

When purchasing and installing filter bags and flat pleated filters, pay attention to the current part numbers. Information on accessories and spare parts can be found at [www.kaercher.com](http://www.kaercher.com).

## Dry vacuuming

# ATTENTION

## Sucking cold ashes

Device damage

Only vacuum cold ash with an ash pre-separator.

# ATTENTION

## Defective or wet flat pleated filter

Device damage

Before using, check the flat pleated filter for damage and replace it if necessary.

Only vacuum with a dry flat pleated filter.

# Note

Regularly replace the filter bag when full as a filter bag that is too full could be damaged. The filling level of the filter bag depends on the dirt being vacuumed. The filter bag should be replaced more often in the case of fine dust, sand, etc.

## Wet vacuuming

# ATTENTION

### Wet vacuuming with a filter bag

#### Device damage

Do not use a filter bag when vacuuming wet debris.

# ATTENTION

### Operation with full container

When the container is full, the float switch closes the suction opening and the device runs at a higher speed.

Switch off the device immediately and empty the container.

# Note

If the device falls over, the float can also close. To make sure the device works absorbent again, set up the device, switch it off, wait 5 seconds and then switch it on again.

## Working with power tools (only for devices with a built-in socket)

# CAUTION

### Unintentional starting of the power tool

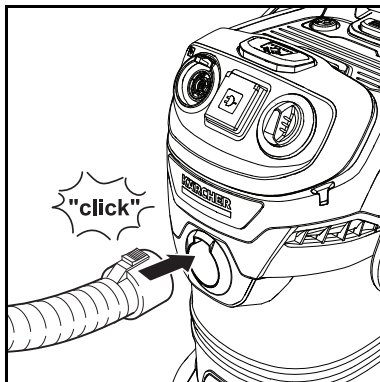
#### Injuries or material damage

Make sure that the power tool is ready for operation as soon as it is connected to the device socket.

# Note

Depending on the model selected, an adapter or an adapter and a thin tool hose are included in the scope of delivery.

## 1. Connect the suction hose.

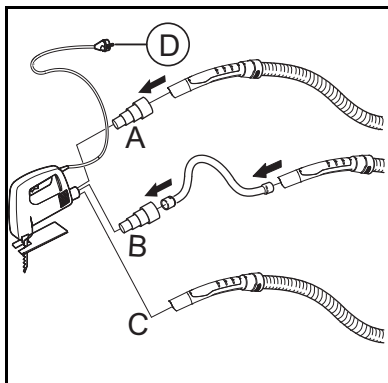


2. If necessary, the adapter can be adjusted to the connection diameter of the power tool with a suitable tool.

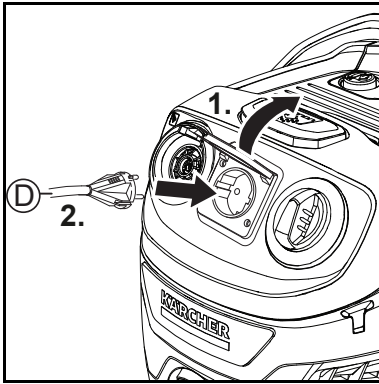
3. Option A) Fit the adapter on the handle of the suction hose. Connect the suction hose to the power tool using the adapter.

Option B) For more flexibility when working, connect the adapter to the thin tool hose and the handle of the suction hose and connect it to the power tool.

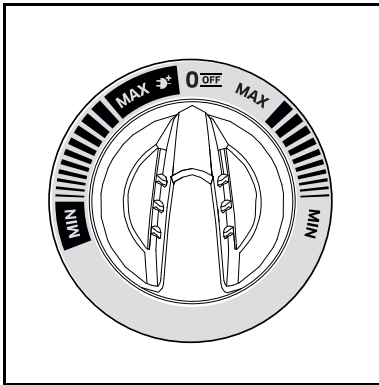
Option C) With some power tools, the handle of the suction hose can be connected directly to the power tool.



4. Plug the power plug of the power tool into the device socket.



5. Set the power switch to MAX  $\rightarrow +$ .  
 The power can be regulated using the rotary switch.  
 The suction is activated automatically.



## Note

Note the maximum connected load (see information on the device socket).

## Note

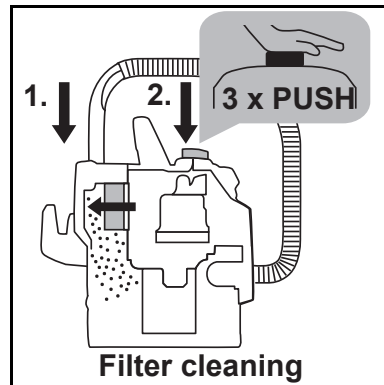
The suction turbine starts up with a 0.5 second delay when the power tool is switched on. When the power tool is switched off, the suction turbine continues to run for approx. 5 seconds in order to suck in the residual dirt in the suction hose.

## Integrated filter cleaning system

### Note

The filter cleaning system is designed for vacuuming large quantities of fine dust without a filter bag inserted. The filter cleaning system allows the soiled flat pleated filter to be cleaned at the push of a button and the suction performance to be increased again.

- Place the handle of the suction hose in the designated parking position on the device head. Press the filter cleaning button three times with the device switched on, waiting 4 seconds between the individual actuations.



## Note

After pressing the filter cleaning button several times, check the container for its filling volume. Otherwise dirt can escape when the container is opened

### Blower function

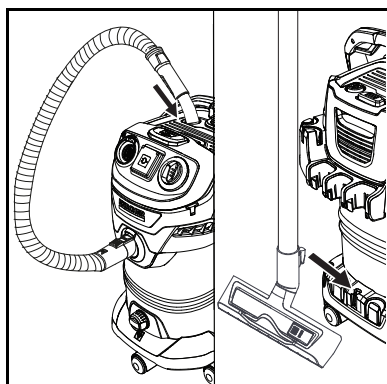
The blower function can be used to clean areas that are difficult to reach or where vacuuming is not possible, e.g. leaves in a gravel bed.

- Insert the suction hose into the blower connection. The blower function is now activated.



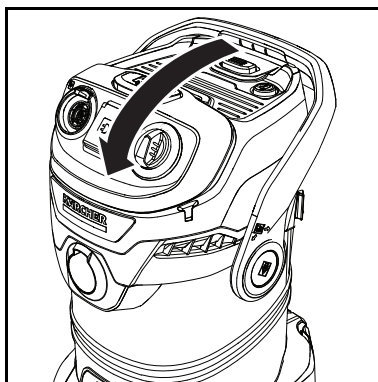
### Interrupting operation

1. Set the power switch to "0 OFF".  
The device is switched off.
2. Option 1: Place the handle of the suction hose in the intermediate parking position.  
Option 2: Attach the floor nozzle in the parking position.

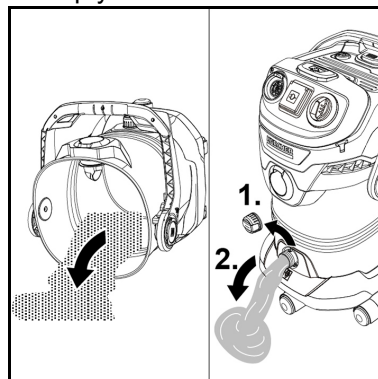


### Finishing operation

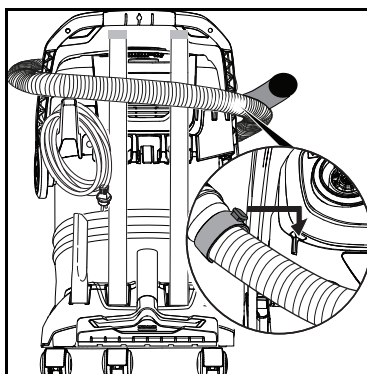
1. Set the power switch to "0 OFF".  
The device is switched off.
2. Pull out the power plug.
3. Remove the device head.



4. Empty the container.



5. Storage possibility:



## Note

The suction hose can be wrapped around the device head and attached to the device head with the help of the hose collar.

6. Store the device in a dry and frost-proof room.



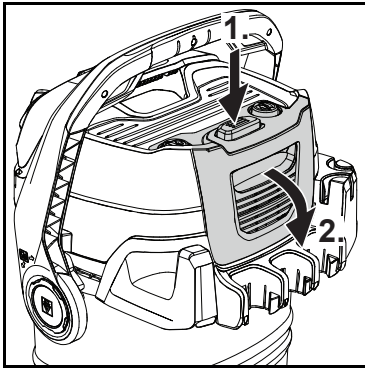
## Care and service

### General care instructions

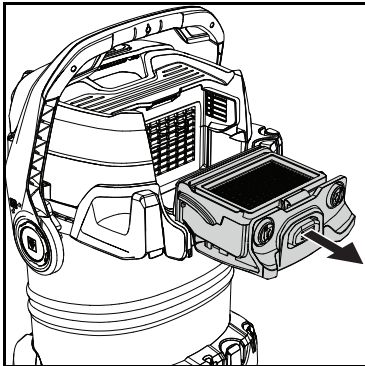
- Maintain the device and the plastic accessories with a commercially available plastic cleaner.
- If necessary, rinse the container and accessories with water and dry them before reuse.

### Clean the filter cartridge / flat pleated filter

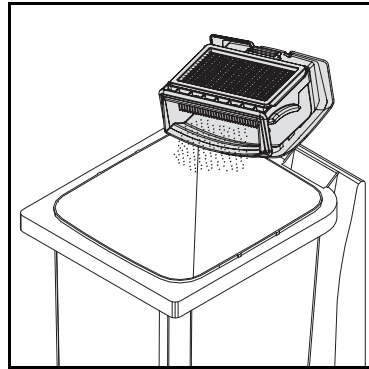
1. Unlock the filter cartridge and fold it out.



2. Remove the filter cartridge.

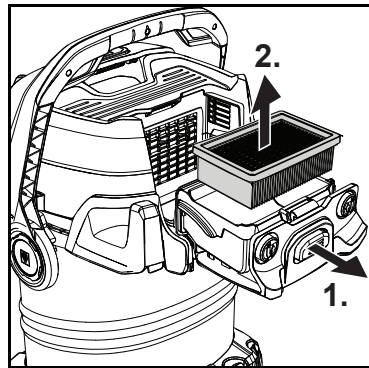


3. Empty the filter cartridge into a waste container. In the case of heavy soiling, tap the filter cartridge against the edge of the waste container. The flat pleated filter does not have to be removed from the filter cartridge.

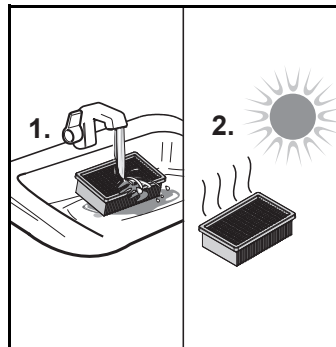


If necessary, clean the flat pleated filter separately.

4. To do this, remove the flat pleated filter from the filter cartridge.



5. Clean the flat pleated filter under running water. Do not rub or brush off. Allow the flat pleated filter to dry completely before reusing.



We recommend cleaning the flat fold filter after each use.

## Troubleshooting guide

Malfunctions often have simple causes that you can remedy yourself using the following overview. When in doubt, or in the case of malfunctions not mentioned here, please contact your authorized Customer Service.

### **Decreasing suction power**

The accessories, suction hose or suction pipes are clogged.

- Remove the blockage with a suitable tool.

The filter bag is full

- Replace the filter bag.

The flat pleated filter is dirty.

- Clean the flat pleated filter (see chapter *Clean the filter cartridge / flat pleated filter*).

The flat pleated filter is damaged.

- Replace the flat pleated filter. For replacement flat pleated filters, please order at [Karcher.com/US](http://Karcher.com/US) or give us a call at 800-537-4129 and we can place an order for you.

# INSTRUCCIONES DE OPERACIÓN, ASPIRADORA HÚMEDA / SECA

## Índice de contenidos

INSTRUCCIONES DE OPERACIÓN, ASPIRADORA HÚMEDA / SECA.....	15
INSTRUCCIONES DE SEGURIDAD IMPORTANTES.....	15
INSTRUCCIONES DE PUESTA A TIERRA.....	16
Servicio al cliente .....	18
Datos técnicos .....	19
Protección del medioambiente.....	17
Accesorios y recambios .....	17
Descripción del equipo.....	20
Montaje de los rodillos de dirección y de la sujeción para el alojamiento de accesorios .....	21
Puesta en funcionamiento .....	22
Funcionamiento .....	23
Cuidado y mantenimiento .....	27
Ayuda en caso de fallos.....	29

## INSTRUCCIONES DE SEGURIDAD IMPORTANTES

Al utilizar este producto, tome siempre las precauciones básicas, incluidas las siguientes:

### LEA TODAS LAS INSTRUCCIONES ANTES DE UTILIZAR ESTA MÁQUINA

Este equipo está destinado exclusivamente al uso privado en el hogar.

### ⚠ ADVERTENCIA

Leer todas las instrucciones. Si no se respetan las instrucciones, existe un

riesgo de descargas eléctricas, de incendio y/o de graves heridas. Para reducir el riesgo de fuegos, descarga eléctrico o lesiones:

- No deje el equipo sin supervisión mientras esté enchufado. Mientras no esté utilizando el dispositivo o antes de los trabajos de mantenimiento, extraiga el conector de la toma de corriente.
- Apagar los mandos de control antes de desenchufar.
- Desenchufe antes de conectar el accesorio.
- Compruebe que la tensión de red coincida con los datos de la placa de características.
- Utilice únicamente el accesorio recomendado por el fabricante.
- Use y almacene el equipo únicamente en espacios interiores secos con temperaturas ambientes de más de 32 °F (0 °C). Proteja el equipo de la humedad.
- Almacene el equipo solo en salas cerradas.
- Para evitar tropiezos, guarde el equipo después de utilizarlo.
- No utilice el equipo al aire libre o sobre superficies húmedas.
- No exponga la herramienta a la lluvia.
- Solo el personal cualificado puede realizar los trabajos de reparación. Asegúrese de que se montan únicamente piezas de recambio idénticas.
- Sustituya inmediatamente un cable de red dañado por un componente original.
- Si se producen daños en el cable de red porque el equipo se haya caído, se haya olvidado fuera o se haya sumergido en agua, el servicio de postventa debe realizar

comprobaciones en el equipo antes de utilizarlo.

- Nunca toque el equipo, los conectores de red ni los enchufes con las manos húmedas.
- No transporte el equipo tirando del cable de red.
- Proteja el cable de red del calor, los bordes afilados, el aceite y los componentes del equipo en movimiento.
- Para desconectar el equipo de la red eléctrica, tire solo del conector y no del cable de red.
- No utilice el equipo con un cable de prolongación.
- No utilice el equipo sin el depósito de polvo y/o filtro.
- No aspire ningún líquido inflamable o combustible; por ejemplo, gasolina. No utilice el equipo en entornos en los que haya líquidos inflamables o combustibles.
- No aspire objetos en llamas o incandescentes, como por ejemplo cigarrillos, cerillas o cenizas calientes.
- Utilice el equipo solo para su uso previsto.
- El equipo no es un juguete. Es necesario prestar especial atención si utiliza el equipo en presencia de niños.
- Evite recoger objetos duros o afilados con el equipo. El filtro y el propio equipo podrían resultar dañados.
- El equipo debe estar colocado horizontalmente y apoyado sobre el suelo durante su uso.
- Arranque involuntario del equipo. Asegúrese de que el equipo está desconectado antes de elevarlo o transportarlo.
- Tenga cuidado al utilizar el equipo en escaleras.
- No obstruya los orificios del equipo con objetos. No utilice el equipo si los orificios están obstruidos.

- Mantenga el equipo limpio de sustancias que puedan disminuir el flujo de aire, como polvo, pelusas o pelo.
- Riesgo de aspiración. No acerque el pelo, la ropa suelta, los dedos o partes del cuerpo a los orificios y partes móviles del equipo.
- No aspire ninguna sustancia venenosa, como lejía de cloro para blanquear, amoníaco o desatascadores.
- Conéctelo únicamente a un tomacorriente debidamente conectado a tierra. Consulte las instrucciones de puesta a tierra.

## **GUARDAR ESTAS INSTRUCCIONES**

### **INSTRUCCIONES DE PUESTA A TIERRA**

- Este dispositivo debe estar puesto a tierra. En caso de un fallo de funcionamiento o avería, la conexión a tierra proporciona un camino de menor resistencia para que la corriente eléctrica reduzca el peligro de choque eléctrico.
- Este dispositivo está equipado con un cable que tiene un conductor de puesta a tierra y un conector de puesta a tierra.
- El conector debe estar conectado a una toma de tierra adecuada que esté instalada y puesta a tierra correctamente conforme a todas las normativas locales.

### **ADVERTENCIA:**

- Una conexión indebida del conductor de tierra del equipo puede provocar peligro de choques eléctricos.

- Ponerse en contacto con un electricista o un representante del servicio de postventa si hay dudas sobre cómo poner a tierra correctamente la toma de corriente.
- No modifique el enchufe suministrado del aparato.
- Si el conector no coincide con la toma de corriente, el electricista debe instalar una toma de corriente adecuada.
- El aparato se usa con un circuito de 120 voltios y tiene un enchufe con toma a tierra que tiene el mismo aspecto que la ilustración A.
- Asegúrese de que el aparato está conectado a una toma de corriente que tenga la misma configuración que el conector. No se debe usar ningún adaptador con este aparato.
- **NO INTENTAR REPARAR UN CABLE DE CONEXIÓN DE RED.**

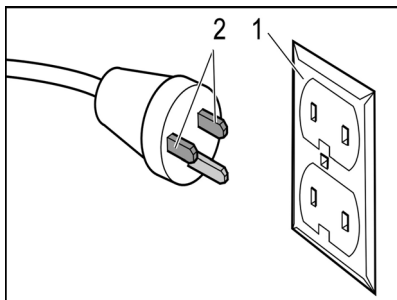
**EN CUALQUIER CASO SE DEBE GARANTIZAR QUE LA TOMA DE CORRIENTE CORRESPONDIENTE ESTÁ PUESTA A TIERRA CORRECTAMENTE.**

**NO RETIRAR EN NINGÚN CASO LA CLAVIJA DE TIERRA DEL CONECTOR DE RED.**

#### **CABLE DE PROLONGACIÓN**

Si es absolutamente necesario un alargador, debe usarse un cable clasificado con un mínimo de 15 amperios de calibre 14. Los cables clasificados con menos intensidad de la corriente pueden sobrecalentarse. El cable debe colocarse con cuidado de manera que no se pueda tirar de él ni tropezar con él.

**Figura A**



- 1 Caja de toma de corriente con puesta a tierra
- 2 Horquillas conductoras de corriente  
La horquilla de toma a tierra es la más larga de las 3.

#### **Niveles de peligro**

### **⚠ PELIGRO**

- Aviso de un peligro inminente que produce lesiones corporales graves o la muerte.

### **⚠ ADVERTENCIA**

- Aviso de una posible situación peligrosa que puede producir lesiones corporales graves o la muerte.

### **⚠ PRECAUCIÓN**

- Aviso de una posible situación peligrosa que puede producir lesiones corporales leves.

### **CUIDADO**

- Aviso de una posible situación peligrosa que puede producir daños materiales.

## Uso previsto

Utilice el dispositivo solo en hogares privados.

De acuerdo con las descripciones y la información de seguridad de estas instrucciones de funcionamiento, el dispositivo está diseñado para su uso como aspirador en seco y húmedo.

Las cenizas frías solo se pueden aspirar con los accesorios adecuados.

Proteja el dispositivo contra la lluvia y no lo guarde al aire libre.

## Nota

El fabricante no se hace responsable por los posibles daños causados por un uso inadecuado o un funcionamiento incorrecto.

## Responsabilidad del usuario/ propietario

Antes de utilizar el equipo, debe leer y entender el manual de instrucciones y las instrucciones de seguridad.

Asegúrese de que los operarios que no hablen inglés con fluidez dispongan del manual de instrucciones y las instrucciones de seguridad en su idioma materno y de que lo hayan entendido.

Asegúrese de que el manual de instrucciones y las instrucciones de seguridad estén siempre disponibles para consultas posteriores.

## Servicio al cliente

### Registro

Debe registrar su dispositivo para poder recibir ayuda con cualquier pregunta o problema que tenga. Puede registrar su dispositivo en

**[www.karcher-register.com](http://www.karcher-register.com)** si se encuentra en los EE. UU.,

**[www.karcher/ca](http://www.karcher/ca)** si se encuentra en Canadá, o

**[www.karcher.com/mx](http://www.karcher.com/mx)** si se encuentra en México.

## Garantía

Si tiene una reclamación de garantía, puede contactar al servicio de atención al cliente. Consulte la información de contacto que se indica a continuación para EE.UU., Canadá o México. DEBE proporcionar su comprobante de compra para presentar una reclamación de garantía por correo electrónico, teléfono o fax.

### Servicio al cliente en EE.UU.

Puede comunicarse con nuestro departamento de Atención al Cliente por teléfono al **1-800-537-4129** o en la página web **[www.karcher-help.com](http://www.karcher-help.com)**.

### Servicio al cliente en México

Puede comunicarse con nuestro departamento de Atención al Cliente por teléfono al **01-800-024-13-13** o en la página web **[www.karcher.com/mx](http://www.karcher.com/mx)**.

### Atención al cliente en Canadá

Puede comunicarse con nuestro departamento de Atención al Cliente por teléfono al **1-800-465-4980** o en la página web **[www.karcher.com/ca](http://www.karcher.com/ca)**.

### Cobertura de la entrega

La cobertura de la entrega del aparato se indica en el embalaje. Al desempaquetarlo, compruebe que el contenido esté completo. Si falta algún accesorio o si se produce algún daño durante el transporte, notifique a nuestro departamento de Atención al Cliente tal como se ha indicado anteriormente por teléfono o en la página web.

## Datos técnicos

### Conexión eléctrica

Tensión	V	120
---------	---	-----

Frecuencia	Hz	60
------------	----	----

Consumo de corriente	A	11
----------------------	---	----

Potencia máx. de conexión al enchufe	A	6
--------------------------------------	---	---

N.º del cable de red	3xAWG14SJTW	
----------------------	-------------	--

### Datos de potencia del equipo

Contenido del recipiente	gal (l)	7.9 (30)
--------------------------	---------	----------

Toma de agua con asa	gal (l)	5,0 (19)
----------------------	---------	----------

Toma de agua con boquilla para suelos	gal (l)	4.7 (18)
---------------------------------------	---------	----------

Nivel de presión acústica (EN 60704-2-1)	dB(A)	74
--	-------	----

### Peso

Peso (sin accesorios)	lbs (kg)	21,8 (9.9)
-----------------------	----------	------------

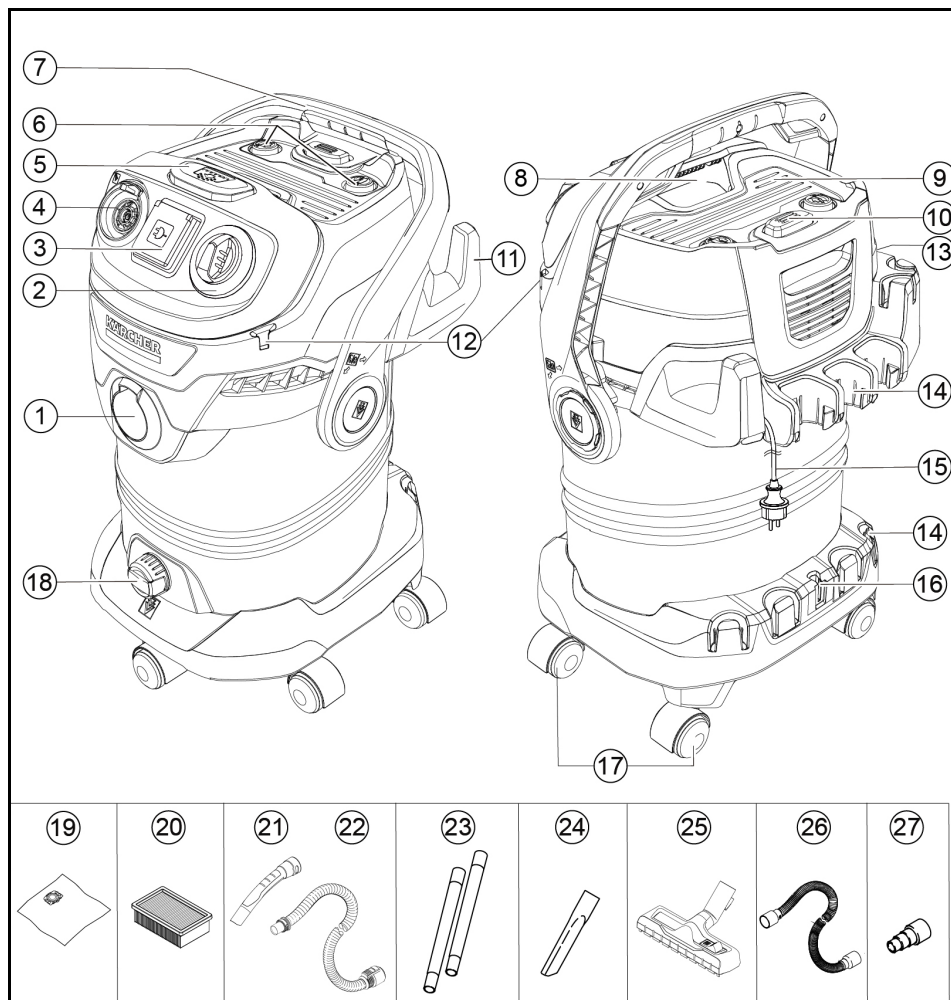
Referencia	1.628-375.0
------------	-------------

Reservado el derecho a realizar modificaciones.

## Descripción del equipo

Según el modelo seleccionado, existen diferencias en el equipamiento.

El equipamiento específico se describe en el embalaje del equipo.

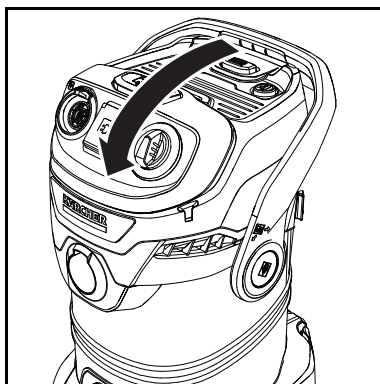




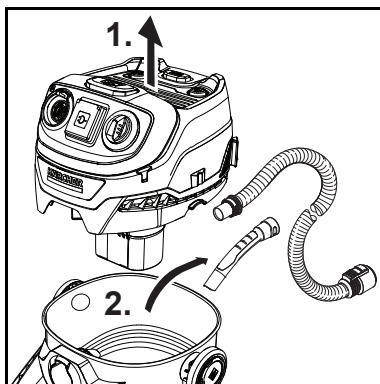
- ① Conexión para mangueras de aspiración
- ② Selector giratorio (con regulación de la potencia para equipos con enchufe)
- ③ Enchufe del equipo
- ④ Función de soplado
- ⑤ Tecla de limpieza de filtros
- ⑥ Asa de posición de estacionamiento
- ⑦ Asa de transporte
- ⑧ Retráctil
- ⑨ Compartimentos
- ⑩ Cartucho filtrante y tecla de desbloqueo
- ⑪ Gancho para cables
- ⑫ Almacenamiento para mangueras (ambos lados)
- ⑬ Placa de características con datos técnicos (por ejemplo, tamaño del recipiente)
- ⑭ Alojamiento de accesorios
- ⑮ Cable de conexión de red con conector de red
- ⑯ Posición de estacionamiento para boquilla para suelos
- ⑰ Rodillo de dirección
- ⑱ Tapón de drenaje
- ⑲ Bolsa de filtro
- ⑳ Filtro plegado plano
- ㉑ Asa desmontable con protección electrostática
- ㉒ Manguera de aspiración con conector
- ㉓ Tubos de aspiración 2 x 0,5 m
- ㉔ Boquilla para ranuras
- ㉕ Boquilla para suelos
- ㉖ Manguera flexible para herramientas
- ㉗ Adaptador para conectar herramientas eléctricas

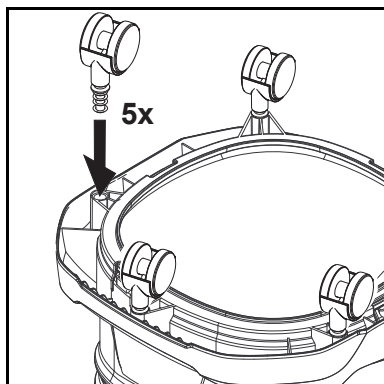
## Montaje de los rodillos de dirección y de la sujeción para el alojamiento de accesorios

1. El asa de transporte también sirve para bloquear el cabezal del equipo y el recipiente. Para desbloquear, gire el estribo completamente hacia adelante hasta que el cierre se suelte.

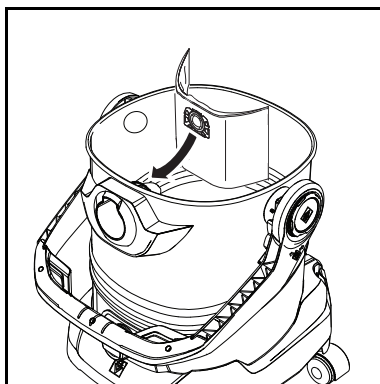


2. Antes de la primera puesta en funcionamiento, retirar el contenido del recipiente y montar los rodillos de dirección.

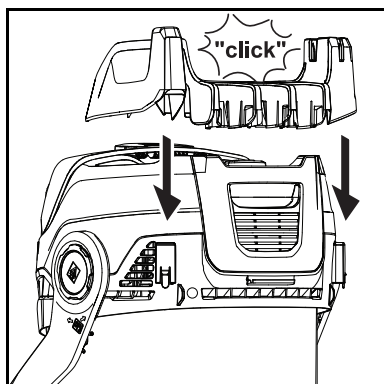




3. Enganche la sujeción para el alojamiento de accesorios en la parte posterior del cabezal del equipo.



3. Colocar y bloquear el cabezal del filtro.



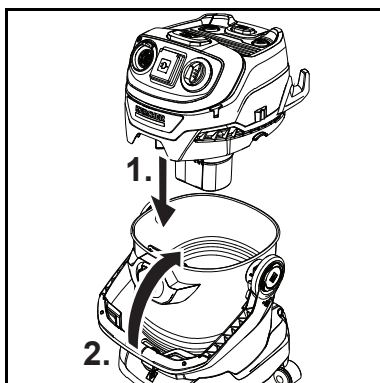
## Nota

Para las versiones con tubos de acero inoxidable, retire la tapa protectora antes de la primera puesta en funcionamiento.

### Puesta en funcionamiento

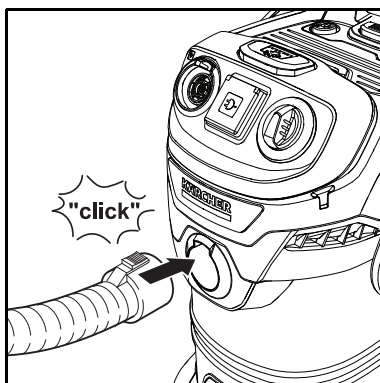
#### Colocación de la bolsa de filtro

1. Desplegar la bolsa de filtro por completo.
2. Colocar la bolsa de filtro en la conexión del equipo y presionarla bien.

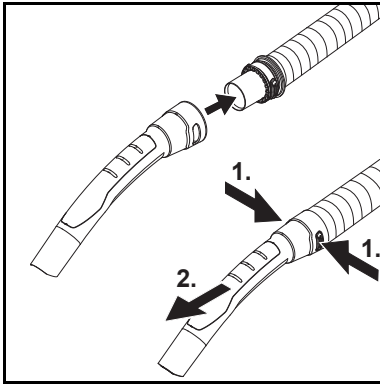


#### Uso de los accesorios

1. Conectar la manguera de aspiración.



2. Conectar la manguera de aspiración con el asa.



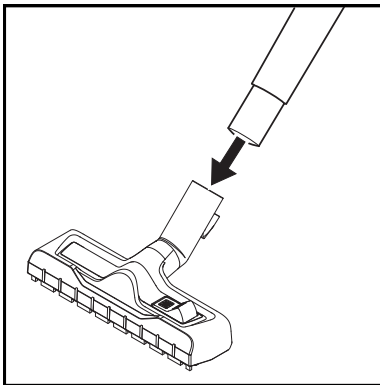
## Nota

Para aspirar cómodamente en espacios reducidos, el asa se puede quitar y los accesorios se pueden conectar directamente a la manguera de aspiración.

Para soltar el asa, presionar las superficies grises en ambos lados del asa y tirar del asa fuera de la manguera.

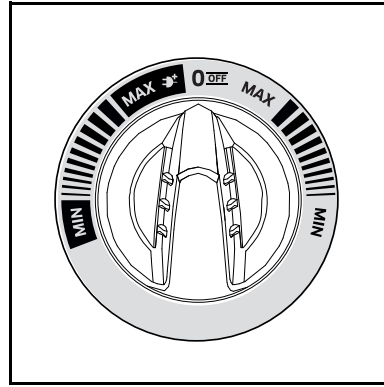
3. Conectar la boquilla para suelos con los tubos de aspiración.

- Utilice la posición con las tiras de cepillo extendidas para aspirar la suciedad seca.
- Utilice la posición con los labios de goma extendidos para aspirar el agua y la suciedad húmeda.



## Puesta en funcionamiento del equipo

1. Conectar el conector de red a un enchufe.
2. Colocar el interruptor del equipo en la posición deseada.



- Posición "MAX": Se activa la función de soplado/aspiración.
- Posición MAX : Cuando la herramienta eléctrica está conectada, el sistema de aspiración se activa automáticamente.
- Posición "0 OFF": El equipo se desconecta.

## Nota

Siempre que el equipo reciba alimentación, el conector del equipo se puede utilizar como fuente de corriente.

## Funcionamiento

### CUIDADO

**Falta el filtro plegado plano**

Daños en el equipo

Trabaje siempre con el filtro plegado plano insertado.

## Nota

Al comprar e instalar bolsas de filtro y filtros plegados planos, preste atención a las referencias actuales.

Encontrará información sobre los accesorios y los recambios en [www.kaercher.com](http://www.kaercher.com).

## Aspiración en seco

# CUIDADO

### Aspiración de cenizas frías

Daño al dispositivo

Aspire únicamente las cenizas frías con un separador de cenizas.

# CUIDADO

### Filtro plegado plano mojado o defectuoso

Daños en el equipo

Antes de la puesta en funcionamiento, compruebe si el filtro plegado plano está dañado y cámbielo si es necesario.

Aspire únicamente con un filtro plegado plano seco.

# Nota

Cambiar la bolsa de filtro a su debido tiempo, ya que una bolsa de filtro demasiado llena podría dañarse. El nivel de llenado de la bolsa de filtro depende de la suciedad aspirada. En el caso de aspirar polvo fino, arena, etc. la bolsa de filtro debería cambiarse con mayor frecuencia.

## Aspiración de suciedad líquida

# CUIDADO

### Aspiración de suciedad líquida con una bolsa de filtro

Daño al dispositivo

No utilice una bolsa de filtro al aspirar suciedad líquida.

# CUIDADO

### Operación con el recipiente lleno

Cuando el recipiente está lleno, un interruptor de flotador cierra la boca de aspiración y el dispositivo funciona a mayor velocidad.

Apague el dispositivo de inmediato y vacíe el recipiente.

# Nota

Si el dispositivo se cae, el flotador también puede cerrarse. Para que el dispositivo pueda aspirar nuevamente, colóquelo en posición vertical, apáguelo, espere 5 segundos y luego enciéndalo nuevamente.

## Trabajos con herramientas eléctricas (solo para equipos con enchufe incorporado)

# ⚠ PRECAUCIÓN

### Arranque involuntario de la herramienta eléctrica

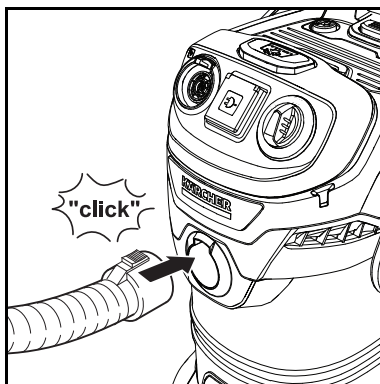
Lesiones o daños materiales

Asegúrese de que la herramienta eléctrica esté lista para su uso tan pronto como se conecte al conector del equipo.

# Nota

Dependiendo del modelo seleccionado, en el alcance del suministro se incluyen un adaptador o un adaptador y una manguera delgada para herramientas.

1. Conectar la manguera de aspiración.

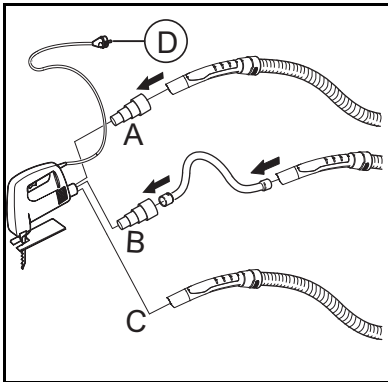


2. Si es necesario, el adaptador se puede adaptar al diámetro de conexión de la herramienta eléctrica con una herramienta adecuada.

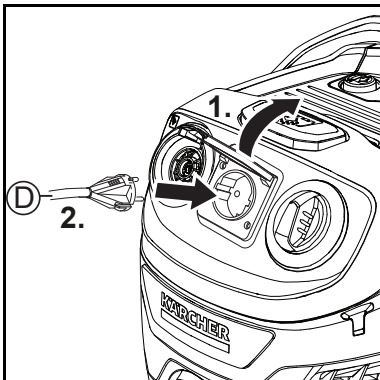
3. Opción A) Coloque el adaptador en el asa de la manguera de aspiración. Conecte la manguera de aspiración con adaptador a la herramienta eléctrica.

Opción B) Para una mayor flexibilidad al trabajar, conecte el adaptador a la manguera delgada para herramientas y al asa de la manguera de aspiración y conéctelo a la herramienta eléctrica.

Opción C) Con algunas herramientas eléctricas, el asa de la manguera de aspiración se puede conectar directamente a la herramienta eléctrica.



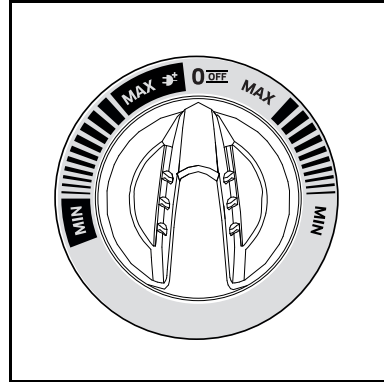
4. Enchufar el conector de red de la herramienta eléctrica en el enchufe del equipo.



5. Ponga el interruptor del equipo en MAX + .

La potencia se puede regular mediante el selector giratorio.

El sistema de aspiración se activa automáticamente.



## Nota

Tenga en cuenta la potencia conectada máxima (véase la información en el conector del equipo).

## Nota

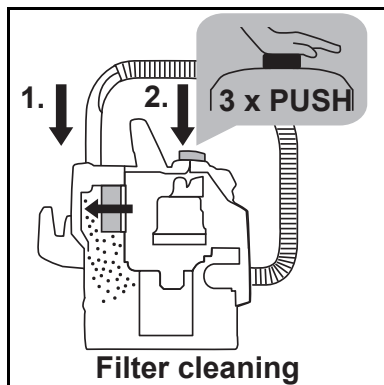
En cuanto se enciende la herramienta eléctrica, la turbina de aspiración se pone en marcha con un retraso de 0,5 segundos. Si la herramienta eléctrica está apagada, la turbina de aspiración sigue funcionando durante unos 5 segundos para aspirar la suciedad restante de la manguera de aspiración.

### Sistema de limpieza de filtros integrado

## Nota

El sistema de limpieza de filtros está diseñado para aspirar grandes cantidades de polvo fino sin una bolsa de filtro insertada. Gracias al sistema de limpieza de filtros, el filtro plegado plano sucio puede limpiarse con solo presionar un botón y la potencia de aspiración volverá a aumentar.

- Coloque el asa de la manguera de aspiración en la posición de estacionamiento prevista para ello en el cabezal del equipo. Pulsar tres veces la tecla de limpieza de filtros con el equipo conectado esperando 4 segundos entre cada accionamiento.



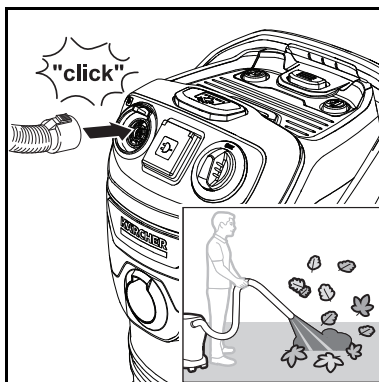
## Nota

Después de pulsar la tecla de limpieza de filtros varias veces, comprobar el volumen de llenado del recipiente. De lo contrario, la suciedad podría salir cuando se abra el recipiente

### Función de soplado

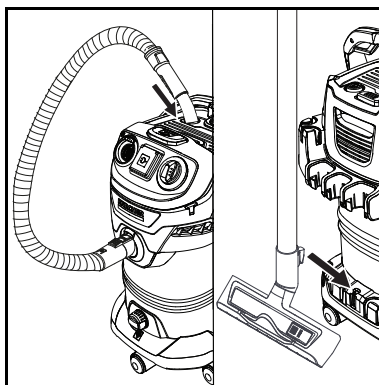
La función de soplado se puede utilizar para limpiar áreas poco accesibles o donde no es posible aspirar, p. ej. hojas en gravilla.

- Inserte la manguera de aspiración en la conexión de soplado. La función de soplado ahora está activa.



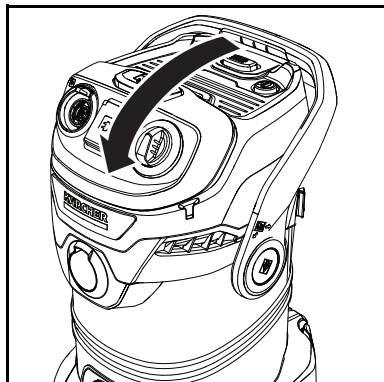
### Interrupción del servicio

1. Colocar el interruptor del equipo en la posición "0 OFF". El equipo se desconecta.
2. Variante 1: Colocar el asa de la manguera de aspiración en la posición intermedia de estacionamiento. Variante 2: Enganchar la boquilla para suelos en la posición de estacionamiento.

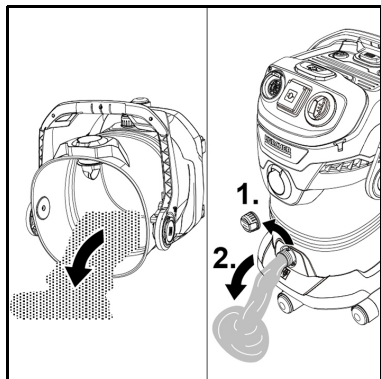


## Finalización del funcionamiento

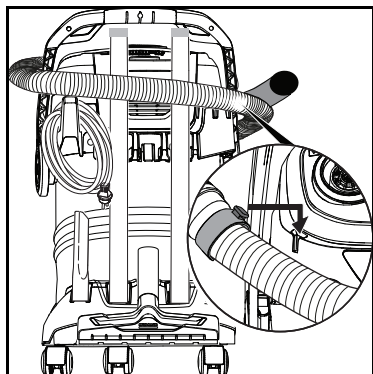
1. Colocar el interruptor del equipo en la posición "0 OFF".  
El equipo se desconecta.
2. Desenchufar el conector de red.
3. Retirar el cabezal del equipo.



4. Vaciar el recipiente.



5. Posibilidad de almacenaje:



## Nota

La manguera de aspiración se puede enrollar alrededor del cabezal del equipo y fijarse al cabezal del equipo con la ayuda del manguito de la manguera.

6. Almacenar el equipo en una sala seca y protegida contra heladas.

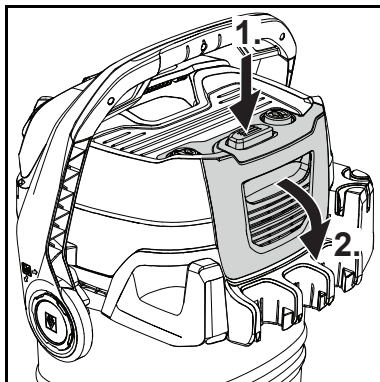
## Cuidado y mantenimiento

### Instrucciones generales de cuidado

- Limpie el dispositivo y las piezas de plástico de los accesorios con un limpiador para plástico de uso común.
- Enjuague el recipiente y los accesorios con agua, según sea necesario, y séquelos antes de volver a usarlos.

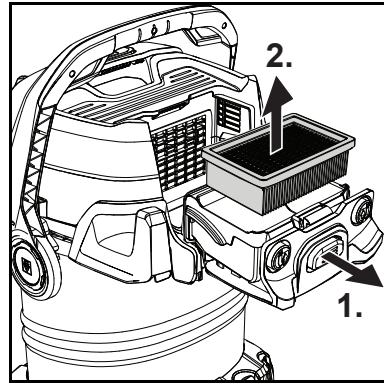
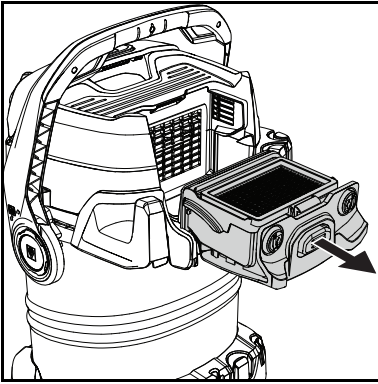
### Limpieza del cartucho filtrante/ filtro plegado plano

1. Desbloquear el cartucho filtrante y empujarlo.



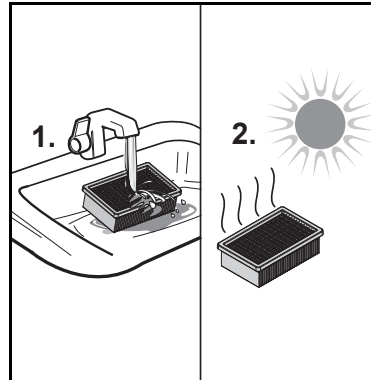
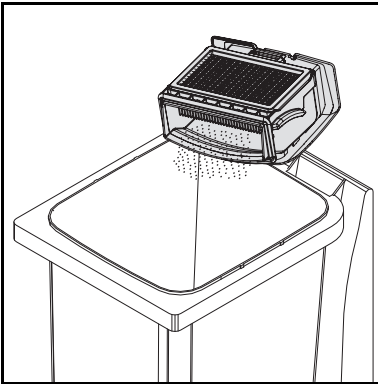


2. Retirar el cartucho filtrante.



3. Vaciar el cartucho filtrante en un cubo de basura. Si está muy sucio, golpear el cartucho filtrante contra el borde del cubo de basura. Para ello, no es necesario retirar el filtro plegado plano del cartucho filtrante.

5. Limpiar el filtro plegado plano con agua corriente. No frotar ni cepillar. Dejar que el filtro plegado plano se seque completamente antes de volver a utilizarlo.



Si es necesario, limpiar el filtro plegado plano por separado.

4. Para ello, retirar el filtro plegado plano del cartucho filtrante.

Recomendamos limpiar el filtro plegado plano después de cada uso.



## Ayuda en caso de fallos

A menudo, las causas de los fallos son simples y pueden solucionarse con ayuda del siguiente resumen. En caso de duda o fallos no mencionados aquí, póngase en contacto con el servicio de posventa.

### **Potencia de aspiración decreciente**

El accesorio, la manguera de aspiración y el tubo de aspiración están obstruidos.

- Eliminar la obstrucción con un elemento adecuado.

La bolsa de filtro está llena

- Cambiar la bolsa de filtro.

El filtro plegado plano está sucio.

- Limpiar el filtro plegado plano (véase el capítulo *Limpieza del cartucho filtrante/filtro plegado plano*).

El filtro plegado plano está dañado.

- Sustituya el filtro plegado plano.

# INSTRUCTIONS D'UTILISATION, NETTOYANT HUMIDE / SEC

## Contenu

INSTRUCTIONS D'UTILISATION, NETTOYANT HUMIDE / SEC .....	30
CONSIGNES DE SECURITE IM- PORTANTES.....	30
INSTRUCTIONS DE MISE A LA TERRE .....	31
Service à la clientèle .....	33
Caractéristiques techniques.....	34
Protection de l'environnement.....	31
Accessoires et pièces de rechange ...	31
Description de l'appareil.....	35
Montage des roues directionnelles et du support du logement pour acces- soires.....	36
Mise en service .....	37
Utilisation .....	39
Entretien et maintenance .....	43
Dépannage en cas de défaut.....	44

## CONSIGNES DE SECURITE IMPORTANTES

En utilisant ce produit, toujours obser-  
ver une certaine prudence élémen-  
taire, incluant notamment :

### LIRE TOUTES LES INSTRU- CTIONS AVANT L'UTILISATION DE CETTE MACHINE

L'appareil est destiné exclusivement à  
une utilisation privée.

## ⚠ AVERTISSEMENT

Lire tous les avertissements de  
sécurité et toutes les instructions.

Ne pas suivre les avertissements et  
instructions peut donner lieu à un  
choc électrique, un incendie et/ou  
une blessure sérieuse.

Afin de réduire les risques d'incendie,  
d'électrocution et de blessures,  
prendre les précautions suivantes :

- Ne laissez jamais l'appareil branché  
sans surveillance. Débranchez la  
fiche secteur de la prise de courant  
lorsque vous n'utilisez pas l'appareil  
ou avant des travaux de mainte-  
nance.
- Désactiver toutes les commandes  
avant de débrancher l'appareil.
- Débranchez avant de connecter  
l'accessoire.
- Vérifiez la conformité de la tension  
réseau avec celle indiquée sur la  
plaque signalétique
- N'utilisez que les accessoires re-  
commandés par le fabricant
- Utiliser et stocker l'appareil unique-  
ment à des températures ambiantes  
supérieures à 32 °F (0 °C) dans  
des espaces intérieurs secs. Proté-  
gez l'appareil contre l'humidité.
- Stockez l'appareil uniquement dans  
des locaux secs.
- Mettez l'appareil de côté après utili-  
sation pour éviter de trébucher.
- N'utilisez pas l'appareil à l'extérieur  
ou sur des surfaces humides.
- Ne pas laisser l'appareil sous la  
pluie.
- Faites exécuter les travaux de répa-  
ration uniquement par du personnel  
qualifié. Vérifiez que seules des  
pièces de rechange identiques  
soient montées.

- Remplacez immédiatement un câble d'alimentation endommagé par une pièce d'origine.
- En cas de détériorations du câble d'alimentation, si l'appareil est tombé, a été oublié dehors ou est tombé dans l'eau, vous devez le faire vérifier par le service après-vente avant de l'utiliser.
- Ne touchez jamais à l'appareil, aux fiches secteur et prises de courant avec les mains mouillées.
- Ne portez pas l'appareil par le câble d'alimentation.
- Protégez le câble d'alimentation contre la chaleur, les bords vifs, l'huile et les pièces mobiles de l'appareil.
- Tirez uniquement sur la fiche secteur et jamais sur le câble d'alimentation pour débrancher l'appareil du réseau électrique.
- N'utilisez pas l'appareil avec une rallonge.
- N'utilisez pas l'appareil sans bac à poussière et/ ou filtre.
- N'aspirez aucun liquide combustible ou inflammable, par ex. essence. Ne pas utiliser l'appareil dans un environnement dans lequel se trouvent des liquides inflammables ou combustibles.
- Ne pas aspirer de substances en combustion ou incandescentes, comme, p.ex., des cigarettes, des allumettes ou des cendres brûlantes.
- Utilisez l'appareil uniquement conformément à l'usage prévu.
- L'appareil n'est pas un jouet. Une prudence particulière est de mise lorsque vous utilisez l'appareil en présence d'enfants.
- Evitez d'aspirer des objets durs et tranchants avec l'appareil. Vous risquez d'endommager l'appareil et le filtre.
- L'appareil doit être posé horizontalement sur le sol durant l'utilisation.
- Démarrage intempestif de l'appareil. Veillez à ce que l'appareil soit éteint avant de le lever ou de le transporter.
- Prudence lors de l'utilisation de l'appareil dans des escaliers.
- Ne branchez jamais d'objets dans les ouvertures de l'appareil. N'utilisez pas l'appareil lorsque les ouvertures sont bloquées.
- Tenez l'appareil exempt de substances susceptibles de réduire le flux d'air, par ex. poussière, peluches ou cheveux.
- Risque de happement. Tenez cheveux, vêtements amples, doigts et parties corporelles éloignés des ouvertures et des pièces mobiles de l'appareil.
- N'aspirez aucune substance toxique, par ex. eau de javel, ammoniacque, déboucheurs de canalisations.
- Connectez uniquement à une prise correctement mise à la terre. Voir les instructions de mise à la terre.

## CONSERVER CES INSTRUCTIONS

### INSTRUCTIONS DE MISE A LA TERRE

- Cet appareil doit être mis à la terre. En cas de dysfonctionnement ou de panne, la mise à la terre fournit un chemin de moindre résistance pour le courant électrique afin de réduire le risque de choc électrique.

- Cet appareil est équipé d'un câble disposant d'un connecteur de mise à la terre de l'équipement et d'une fiche de terre.
- La fiche doit être branchée dans une prise de courant adaptée installée et reliée à la terre conformément à toutes les prescriptions et ordonnances légales locales.

## AVERTISSEMENT :

- Un raccordement incorrect du conducteur de terre de l'appareil peut entraîner un risque d'électrocution.
- Contacter un électricien spécialisé ou un collaborateur du service après-vente en cas de doute sur la mise à la terre correcte de la prise de courant.
- Ne pas modifier la fiche fournie avec l'appareil.
- Si la fiche ne rentre pas dans la prise de courant, faire installer une prise de courant adaptée par un électricien spécialisé.
- Cet appareil est destiné à une utilisation sur un circuit 120 V nominal, et est équipé d'une prise de terre qui ressemble à la prise illustrée dans la fig. A.
- Vérifier que l'appareil est raccordé à une prise de courant ayant la même configuration que la fiche. Aucun adaptateur ne doit être utilisé avec cet appareil.
- **NE PAS TENTER DE REPARER LE CABLE DE BRANCHEMENT AU SECTEUR.**

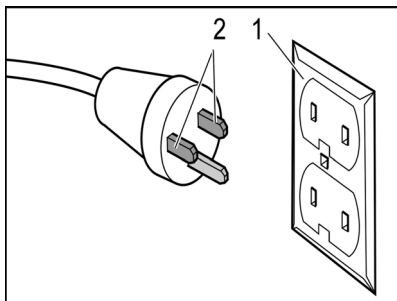
**S'ASSURER, DANS TOUS LES CAS, QUE LA PRISE DE COURANT CORRESPONDANTE EST CORRECTEMENT RELIÉE À LA TERRE.**

**NE JAMAIS RETIRER LA BROCHE DE LIAISON À LA TERRE DE LA FICHE SECTEUR.**

**CABLE DE RALLONGE**

Si une rallonge est absolument nécessaire, il convient d'utiliser au moins une rallonge de 15 ampères calibre 14. Les rallonges calibrées à un ampérage inférieur peuvent surchauffer. Il convient de veiller à ce que la rallonge ne puisse pas être tirée ni écrasée.

**Figure A**



- 1 Socle de prise de courant  
2 Languettes conduisant le courant  
La languette de terre est la plus longue.

### Niveaux de danger

## ⚠ DANGER

- Indique un danger immédiat qui peut entraîner de graves blessures corporelles ou la mort.

## ⚠ AVERTISSEMENT

- Indique une situation potentiellement dangereuse qui peut entraîner de graves blessures corporelles ou la mort.

## ⚠ PRÉCAUTION

- Indique une situation potentiellement dangereuse qui peut entraîner des blessures légères.

## ATTENTION

- Indique une situation potentiellement dangereuse qui peut entraîner des dommages matériels.

## Utilisation conforme

Utiliser l'appareil uniquement pour un usage ménager privé.

L'appareil est destiné à être utilisé comme aspirateur d'humidité et de poussières conformément aux descriptions données dans le présent manuel d'utilisation et aux consignes de sécurité.

Les cendres froides ne peuvent être aspirées qu'avec des accessoires appropriés.

Protéger l'appareil de la pluie et ne pas le stocker à l'extérieur.

## Remarque

Le fabricant décline toute responsabilité pour des dommages éventuels provoqués par une utilisation non-conforme ou une mauvaise commande.

## Responsabilité propriétaire/ utilisateur

Vous devez avoir lu et compris le mode d'emploi et les consignes de sécurité avant d'utiliser l'appareil.

Veillez à ce qu'un utilisateur qui ne parle pas couramment anglais reçoive des explications concernant le mode d'emploi et les consignes de sécurité dans sa langue maternelle et qu'il les comprenne.

Veillez à ce que le mode d'emploi et les consignes de sécurité puissent être consultées à tout moment.

## Service à la clientèle

### Enregistrement

Pour obtenir une réponse à toute question ou de l'aide pour tout problème, votre appareil doit être enregistré.

Vous pouvez enregistrer votre appareil sur [www.karcher-register.com](http://www.karcher-register.com) s'il est situé aux États-Unis,

sur [www.karcher/ca](http://www.karcher/ca) s'il est situé au Canada, ou sur

[www.karcher.com/mx](http://www.karcher.com/mx) s'il est situé au Mexique.

## Garantie

Dans le cas d'une réclamation sous garantie, vous pouvez contacter le service à la clientèle. Veuillez utiliser les coordonnées ci-dessous pour les États-Unis, le Canada ou le Mexique. Vous DEVEZ fournir votre preuve d'achat pour déposer une réclamation sous garantie par courriel, téléphone ou fax.

### Service à la clientèle — États-Unis

Vous pouvez contacter notre service à la clientèle par téléphone, au

**1-800-537-4129**, ou par l'intermédiaire du site web, sous

[www.karcher-help.com](http://www.karcher-help.com)

### Service à la clientèle — Mexique

Vous pouvez contacter notre service à la clientèle par téléphone, au

**01-800-024-13-13**, ou par l'intermédiaire du site web, sous [www.karcher.com/mx](http://www.karcher.com/mx).

### Service à la clientèle — Canada

Vous pouvez contacter notre service à la clientèle par téléphone, au

**1-800-465-4980**, ou par l'intermédiaire du site web, sous [www.karcher.com/ca](http://www.karcher.com/ca).

### Étendue de la livraison

L'étendue de la livraison de l'appareil est indiquée sur l'emballage. Lors du déballage, vérifiez le contenu pour s'assurer qu'il ne manque rien. Si un accessoire est manquant ou en cas de dommage pendant l'expédition, veuillez en aviser le service à la clientèle aux coordonnées susmentionnées, par téléphone ou par l'intermédiaire du site Web.

## Caractéristiques techniques

### Raccordement électrique

Tension	V	120
Phase	~	1
Fréquence	Hz	60
Courant absorbée	A	11
Puissance de raccordement max. de la prise	A	6
Type de câble secteur	3xAWG14SJTW	

### Caractéristiques de puissance de l'appareil

Contenu du réservoir	gal (l)	7.9 (30)
Absorption d'eau avec poignée	gal (l)	5,0 (19)
Absorption d'eau avec buse pour sol	gal (l)	4.7 (18)
Niveau de pression acoustique (EN 60704-2-1)	dB(A) 74	

### Poids

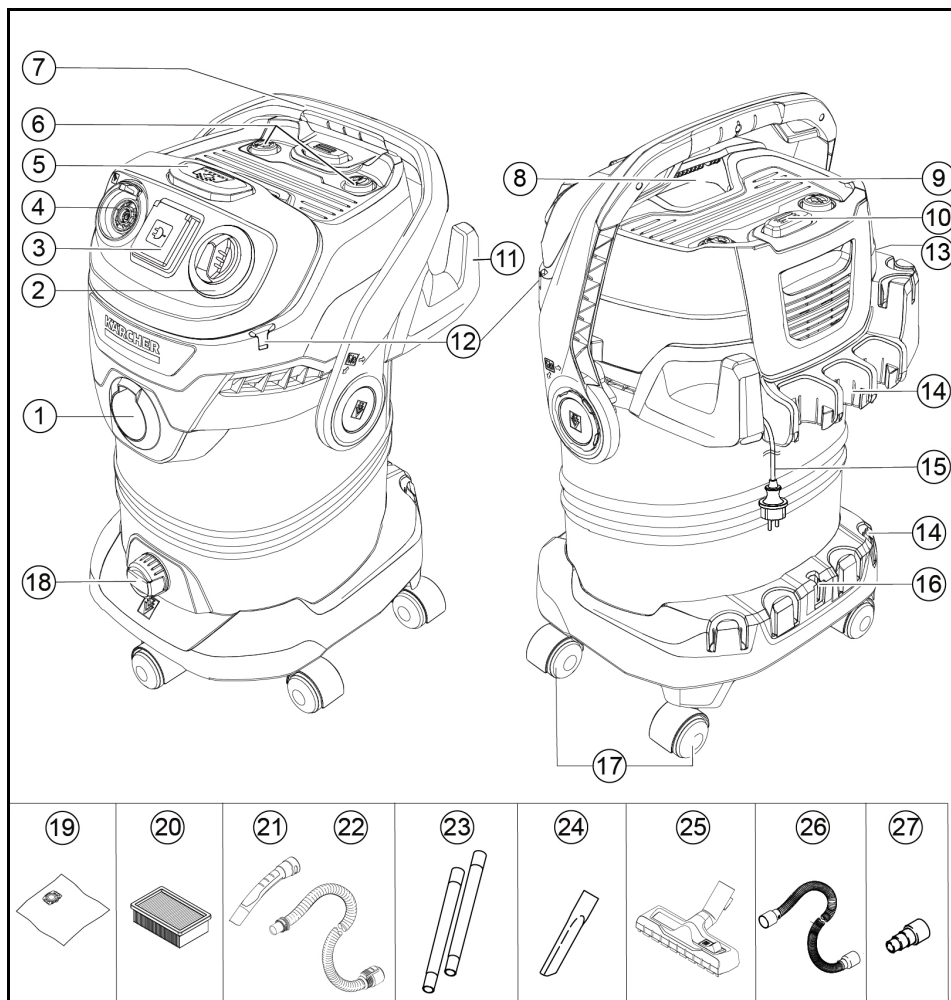
Poids (sans accessoires)	lbs (kg)	21.8 (9.9)
-----------------------------	-------------	---------------

Référence de pièce 1.628-375.0

Sous réserve de modifications techniques.

## Description de l'appareil

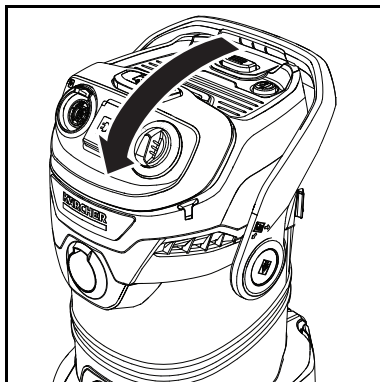
Selon le modèle choisi, il existe des différences d'équipement.  
L'équipement spécifique est décrit sur l'emballage de l'appareil.



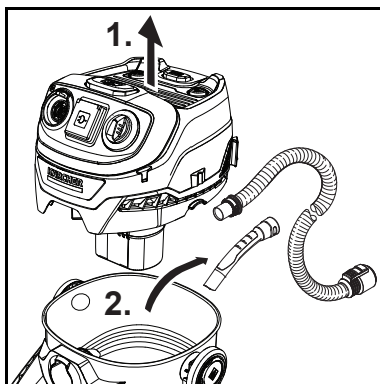
- ① Raccord de tuyau d'aspiration
- ② Commutateur rotatif (avec régulation de la puissance pour les appareils avec prise)
- ③ Fiche de l'appareil
- ④ Fonction soufflage
- ⑤ Touche de nettoyage de filtre
- ⑥ Position de rangement poignée
- ⑦ Poignée de transport
- ⑧ Poignée encastrée
- ⑨ Surface de dépose
- ⑩ Cassette filtrante et touche de déverrouillage
- ⑪ Crochet de câble
- ⑫ Rangement pour flexible (des deux côtés)
- ⑬ Plaque signalétique avec caractéristiques techniques (p. ex. taille du réservoir)
- ⑭ Logement pour les accessoires
- ⑮ Câble d'alimentation électrique avec fiche secteur
- ⑯ Position de rangement buse pour sol
- ⑰ Roue directionnelle
- ⑱ Vis de vidange
- ⑲ Sacs filtrants
- ⑳ Filtre plat plissé
- ㉑ Poignée amovible avec protection électrostatique
- ㉒ Tuyau d'aspiration avec raccord
- ㉓ Tube d'aspiration 2 x 0,5 m
- ㉔ Suceur fentes
- ㉕ Buse pour sol
- ㉖ Tuyau flexible pour outils
- ㉗ Adaptateur pour le raccordement des outils électriques

## Montage des roues directionnelles et du support du logement pour accessoires

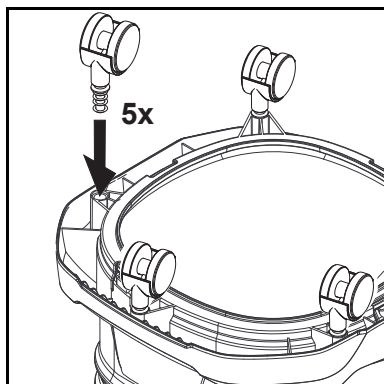
1. La poignée de transport sert également à verrouiller la tête de l'appareil et le réservoir. Pour déverrouiller, faire pivoter l'étrier complètement vers l'avant jusqu'à ce que le verrouillage soit débloqué.



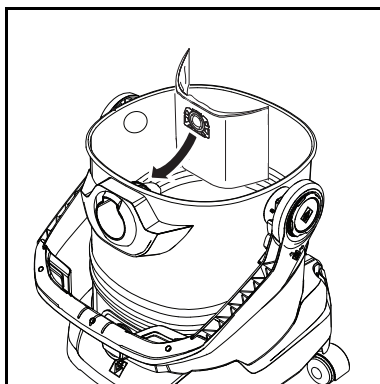
2. Avant la première mise en service, retirer le contenu du réservoir et monter les roues directionnelles.



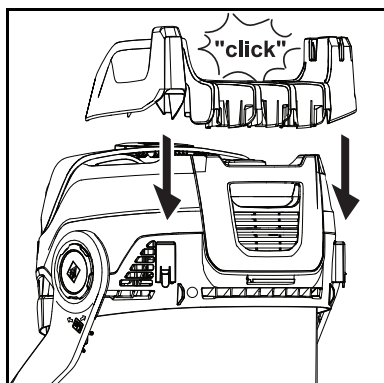




3. Fixer le support du logement pour accessoires à l'arrière de la tête de l'appareil.



3. Poser et verrouiller la tête de l'appareil.



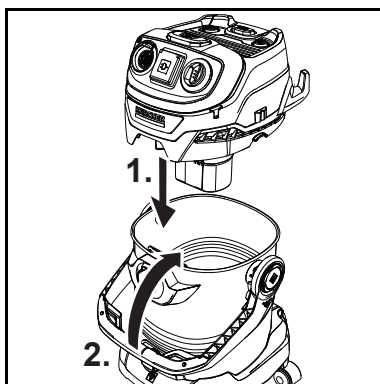
## Remarque

Pour les versions avec tubes en acier inoxydable, retirer le capuchon de protection avant la première mise en service.

### Mise en service

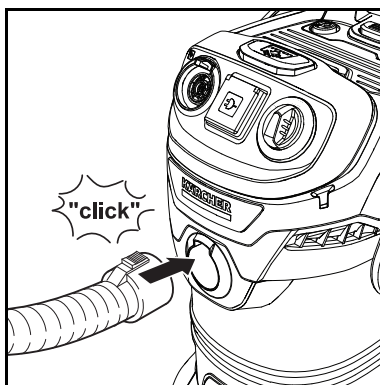
#### Insertion du sac filtrant

1. Déplier complètement le sac filtrant.
2. Placer le sac filtrant sur le raccord de l'appareil et appuyer fermement.

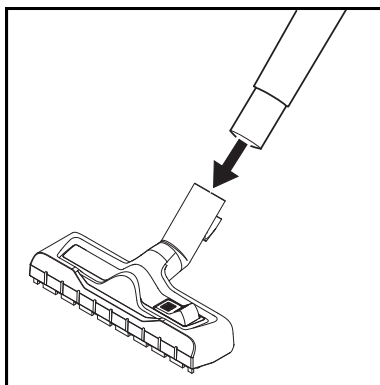
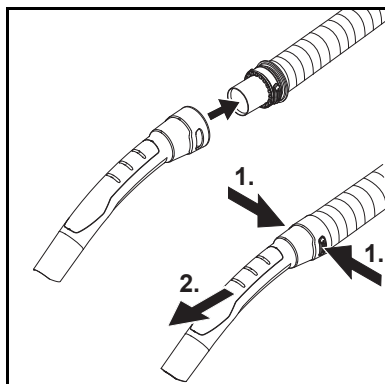


#### Utilisation des accessoires

1. Raccorder le tuyau d'aspiration.



2. Relier le tuyau d'aspiration à la poignée.



### Mise en service de l'appareil

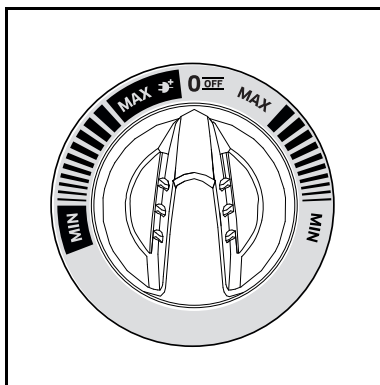
1. Brancher la fiche secteur dans la prise de courant.
2. Placer l'interrupteur principal dans la position souhaitée.

## Remarque

Pour faciliter l'aspiration dans les espaces très étroits, il est possible de retirer la poignée et de brancher les accessoires directement sur le tuyau d'aspiration.

Pour enlever la poignée, il faut appuyer sur les surfaces grises des deux côtés de la poignée et retirer la poignée du flexible.

3. Raccorder la buse pour sol aux tubes d'aspiration.
  - Utiliser la position avec les bandes de brosse sorties pour aspirer la saleté sèche.
  - Utiliser la position avec les lèvres en caoutchouc sorties pour aspirer la saleté humide/l'eau.



- Position « MAX » : La fonction d'aspiration / soufflage est activée.
- Position MAX + : Lorsque l'outil électrique est connecté, l'aspiration est activée automatiquement.
- Position « 0 OFF » : L'appareil est mis hors tension.

## Remarque

Tant que l'appareil est alimenté, la fiche de l'appareil peut être utilisée comme source de courant.

## ATTENTION

### Filtre plat plissé manquant

Dommmages de l'appareil

Travaillez toujours avec le filtre plat plissé inséré.

## Remarque

Lors de l'achat et de l'installation de sacs filtrants et de filtres plats plissés, faire attention aux références de pièce actuelles.

Des informations sur les accessoires et pièces de rechange sont disponibles sur le site [www.kaercher.com](http://www.kaercher.com).

### Aspiration à sec

## ATTENTION

### Aspiration de cendres froides

Dommmages de l'appareil

Aspirez les cendres froides uniquement avec un préséparateur de cendres.

## ATTENTION

### Filtre plat plissé défectueux ou humide

Dommmages de l'appareil

Avant la mise en service, vérifiez si le filtre plat plissé n'est pas endommagé et remplacez-le éventuellement.

N'aspirez qu'avec un filtre plat plissé sec.

## Remarque

Remplacer le sac filtrant en temps utile, car un sac filtrant trop plein pourrait être endommagé. Le degré de remplissage du sac filtrant dépend des salissures aspirées. Pour la poussière fine, le sable, etc., le sac filtrant doit être remplacé plus souvent.

## ATTENTION

### Aspiration humide avec sac filtrant

Dommmages de l'appareil

N'utilisez pas de sac filtrant pour aspirer de l'eau.

## ATTENTION

### Fonctionnement avec réservoir plein

Dès que le réservoir est plein, le flotteur ferme l'ouverture d'aspiration et la vitesse de rotation de l'appareil augmente.

Éteindre immédiatement l'appareil et vider le réservoir.

## Remarque

Si l'appareil tombe, le flotteur peut également se fermer. Pour que l'appareil puisse de nouveau aspirer, mettez en place l'appareil, éteignez-le, attendez 5 secondes puis rallumez-le.

**Travaux avec des outils électriques (uniquement pour les appareils avec une prise intégrée)**

## ⚠ PRÉCAUTION

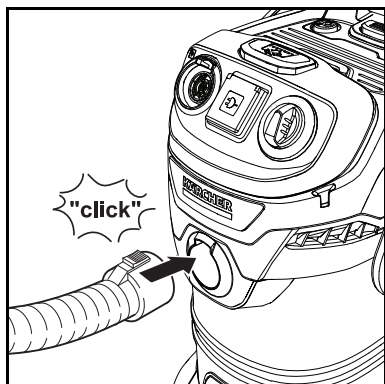
### Démarrage intempestif de l'outil électrique

Blessures ou dommages matériels  
S'assurer que l'outil électrique est opérationnel dès qu'il est branché à la prise.

## Remarque

Selon le modèle choisi, un adaptateur ou un adaptateur et un tuyau flexible fin pour outils sont inclus dans la livraison.

1. Raccorder le tuyau d'aspiration.

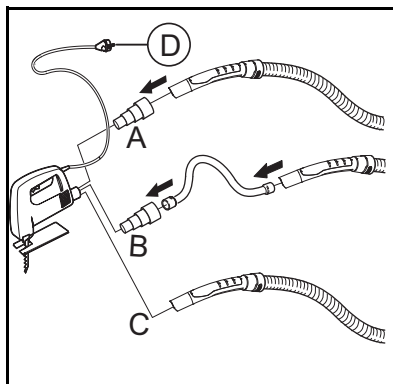


2. Si nécessaire, l'adaptateur peut être adapté au diamètre de raccord de l'outil électrique avec un accessoire approprié.

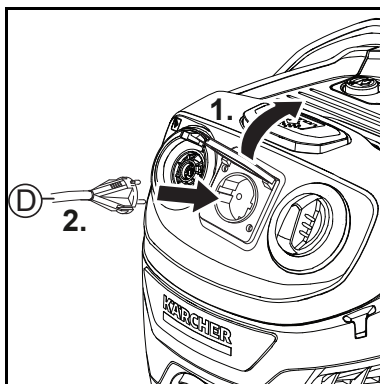
3. Option A) Placer l'adaptateur sur la poignée du tuyau d'aspiration. Monter le tuyau d'aspiration avec l'adaptateur sur l'outil électrique.

Option B) Pour plus de flexibilité lors du travail, associer l'adaptateur avec le tuyau flexible fin pour outils à la poignée du tuyau d'aspiration et brancher à l'outil électrique.

Option C) Avec certains outils électriques, la poignée du tuyau d'aspiration peut être branchée directement à l'outil électrique.



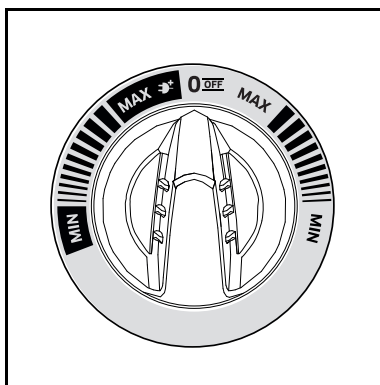
4. Brancher la fiche secteur de l'outil électrique dans la prise de l'appareil.



5. Régler l'interrupteur principal sur MAX +.

La puissance peut être réglée à l'aide du bouton rotatif.

L'aspiration est activée automatiquement.



## Remarque

Noter la puissance raccordée maximale (voir les informations sur la prise de l'appareil).

## Remarque

Dès que l'outil électrique est mis en marche, la turbine d'aspiration démarre avec une temporisation de 0,5 seconde. Si l'outil électrique est éteint, la turbine d'aspiration continue de

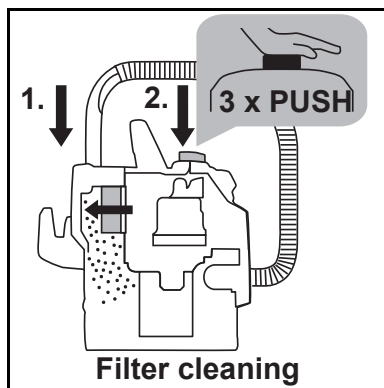
fonctionner pendant environ 5 secondes afin d'aspirer les salissures résiduelles dans le tuyau d'aspiration.

### Système de nettoyage de filtre intégré

## Remarque

Le système de nettoyage de filtre est conçu pour aspirer de grandes quantités de poussières fines sans sac filtrant inséré. Grâce au système de nettoyage de filtre, il est possible de nettoyer le filtre plat plissé encrassé en appuyant sur un bouton et d'augmenter de nouveau la puissance d'aspiration.

- Placer la poignée du tuyau d'aspiration dans la position de rangement prévue sur la tête de l'appareil. Appuyer trois fois sur la touche de nettoyage de filtre alors que l'appareil fonctionne, attendre 4 secondes entre chaque actionnement.



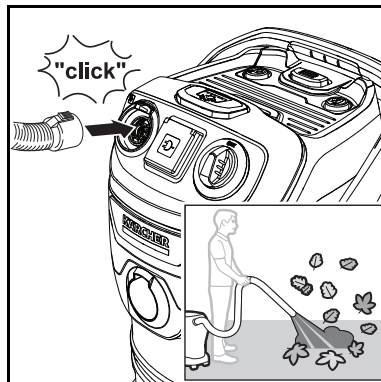
## Remarque

Après avoir actionné plusieurs fois la touche de nettoyage de filtre, vérifier le volume de remplissage du réservoir. Sinon, de la saleté peut s'échapper lors de l'ouverture du réservoir.

### Fonction soufflage

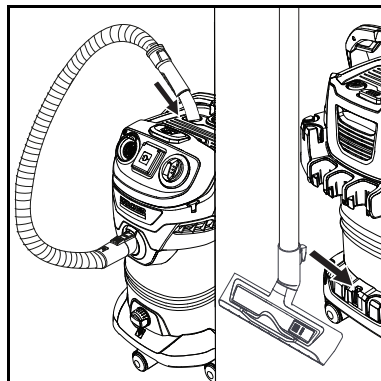
La fonction soufflage peut être utilisée pour nettoyer des zones difficiles à atteindre ou où l'aspiration n'est pas possible, par ex. Feuilles dans un parterre de gravier.

- Insérer le tuyau d'aspiration dans le raccord de soufflage. La fonction soufflage est maintenant activée.



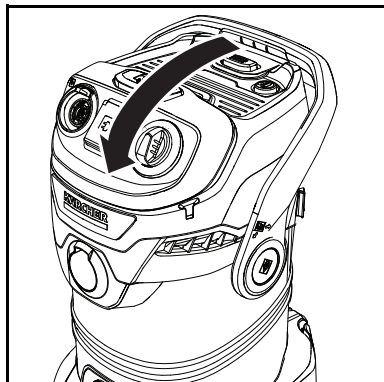
### Interruption d'utilisation

1. Mettre l'interrupteur principal en position « 0/OFF ». L'appareil est mis hors tension.
2. Variante 1 : Placer la poignée du tuyau d'aspiration en position de rangement intermédiaire. Variante 2 : Suspender la buse pour sol en position de rangement.

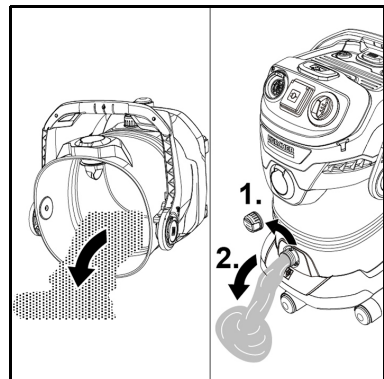


## Arrêt d'utilisation

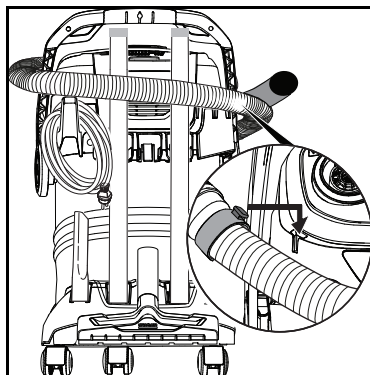
1. Mettre l'interrupteur principal en position « 0/OFF ».  
L'appareil est mis hors tension.
2. Débrancher la fiche secteur.
3. Retirer la tête de l'appareil.



4. Vider le réservoir.



5. Possibilité de stockage :



## Remarque

Le tuyau d'aspiration peut être enroulé autour de la tête de l'appareil et fixé à la tête de l'appareil à l'aide du manchon de flexible.

6. Stocker l'appareil dans un endroit sec et à l'abri du gel.

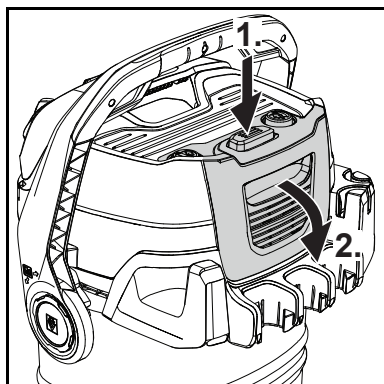
## Entretien et maintenance

### Consignes générales d'entretien

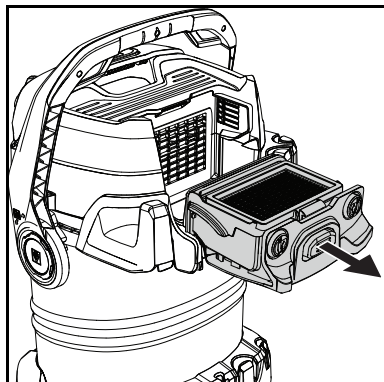
- Entretien l'appareil et les accessoires en matière synthétique à l'aide d'un détergent pour synthétique du commerce.
- Rincer si nécessaire le réservoir et les accessoires à l'eau et les sécher avant toute réutilisation.

### Nettoyage de la cassette filtrante/du filtre plat plissé

1. Déverrouiller et sortir la cassette filtrante.

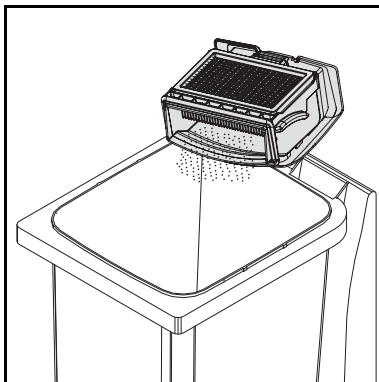


2. Retirer la cassette filtrante.



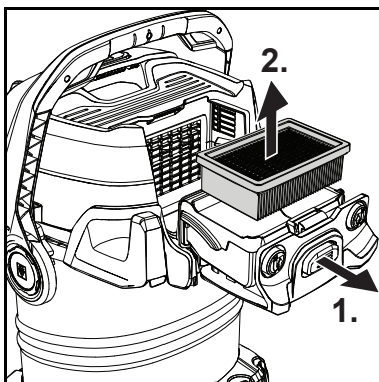
3. Vider la cassette filtrante dans une poubelle. En cas de fort encrassement, tapoter la cassette filtrante contre le bord de la poubelle. Pour

cela, le filtre plat plissé ne doit pas être retiré de la cassette filtrante.

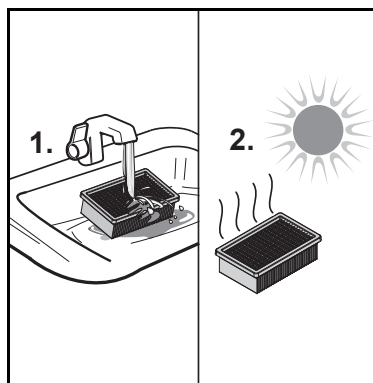


Nettoyer séparément le filtre plat plissé si nécessaire.

4. Pour cela, retirer le filtre plat plissé de la cassette filtrante.



5. Nettoyer le filtre plat plissé à l'eau courante. Ne pas frotter ni brosser. Laisser sécher complètement le filtre plat plissé avant de le réutiliser.



Nous recommandons de nettoyer le filtre plat plissé après chaque utilisation.

## Dépannage en cas de défaut

Les défauts ont souvent des causes simples que vous pouvez vous-même éliminer à l'aide de l'aperçu suivant. En cas de doute, ou en absence de mention des défauts, veuillez vous adresser au service après-vente autorisé.

### Puissance d'aspiration diminuée

Les accessoires, le tuyau d'aspiration ou les tubes d'aspiration sont colmatés.

- Éliminer le colmatage avec un moyen auxiliaire adapté.

Le sac filtrant est plein.

- Remplacer le sac filtrant.

Le filtre plat plissé est encrassé.

- Nettoyer le filtre plat plissé (voir chapitre *Nettoyage de la cassette filtrante/du filtre plat plissé*).

Le filtre plat plissé est endommagé.

- Remplacer le filtre plat plissé.











# THANK YOU!

## MERCI! ¡GRACIAS!



Register your product and benefit from many advantages.

Enregistrer votre produit et bénéficier de nombreux avantages.

Registre su producto y aproveche de muchas ventajas.

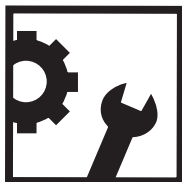
[www.kaercher.com/welcome](http://www.kaercher.com/welcome)



Rate your product and tell us your opinion.

Évaluer votre produit et donner votre opinion.

Reseñe su producto y díganos su opinión.



**Kärcher North America Inc.,**

6398 N. Kärcher Way

Aurora, CO 80019

Tel: 1-800-537-4129

**Kärcher Canada Inc.,**

275 Pendant Drive, Mississauga,

Ontario L5T 2SW9

Tel: +1-800-465-4980

**Kärcher México S.A. de C.V.,**

Circuito Poetas 68.

Col Ciudad Satélite, Naucalpan de Juárez,

Estado de México C.P. 53100, México

Tel: +52-55-2629-4900



[www.kaercher.com/service](http://www.kaercher.com/service)