

Instant™

ZEST™

Rice & Grain Cooker

Welcome

Initial Setup

Product Overview

Getting Started

More Controls & Smart Programs

Support & Contact Information



Getting Started Guide



Full manual and instruction videos available at instantappliances.com
Register your product today at instantappliances.com/support/register

Welcome to the world of Instant cooking.

Thank you for welcoming us into your kitchen.

Having families ourselves, we developed the Instant™ Zest™ to allow busy families and professionals alike to cook healthy, delicious meals more easily and in less time.

We have partnered with chefs, authors and bloggers to compile a collection of recipes that we hope you enjoy!

Happy cooking,



Robert J. Wang
Founder & Chief Innovation Officer

Download the Instant Pot App

- Original Recipes
- New User Tips
- Getting Started Videos



Initial Setup

- Remove all packaging material from in and around the cooker, and verify that all parts are accounted for.
- Place the cooker on a stable, level surface, away from external heat sources.
- Read all Important Safeguards in the included Safety, Maintenance & Warranty booklet before use. Failure to do so may result in property damage and/or personal injury.
- Follow Care & Cleaning instructions in the included Safety, Maintenance & Warranty booklet to wash the cooker before first use.
- Do not remove safety warning stickers from lid or rating label from back of cooker base.

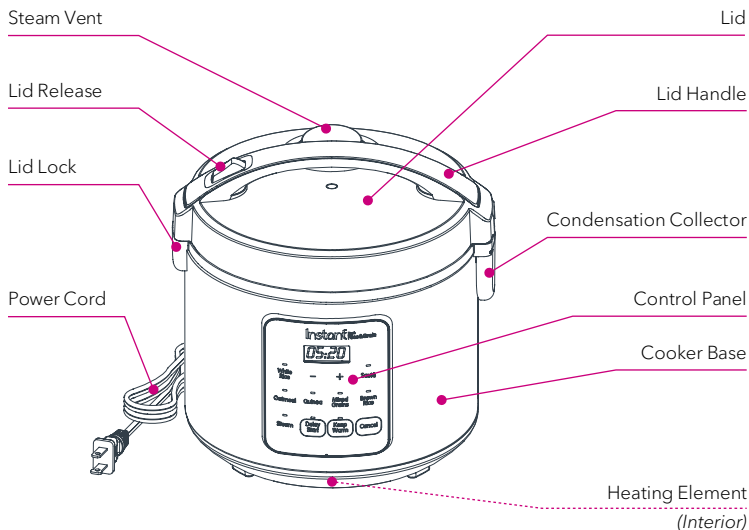


CAUTION Never use the cooker on a stovetop. Do not place the appliance on or in close proximity to a hot gas or electric burner, or a heated oven. Heat from an external source will damage the appliance.

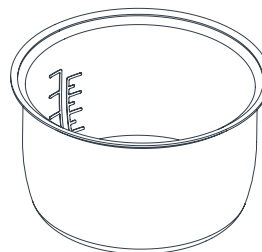
A top-down view of a dark brown ceramic bowl filled with creamy oatmeal. The oatmeal is garnished with fresh blueberries, raspberries, blackberries, and sliced almonds. Two small sprigs of fresh green mint are placed on top. The bowl sits on a piece of light brown burlap fabric. Surrounding the bowl on a light-colored, weathered wooden surface are scattered almonds, blueberries, raspberries, and blackberries. The text "Product Overview" is overlaid in white, bold, sans-serif font across the center of the image.

Product Overview

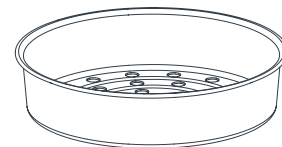
Product Overview



Inner Pot



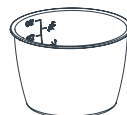
Steamer Tray



Rice Spoon



Measuring Cup



Images are for reference only. Please refer to actual product.

The models shown here may not be representative of all models in the Zest series.

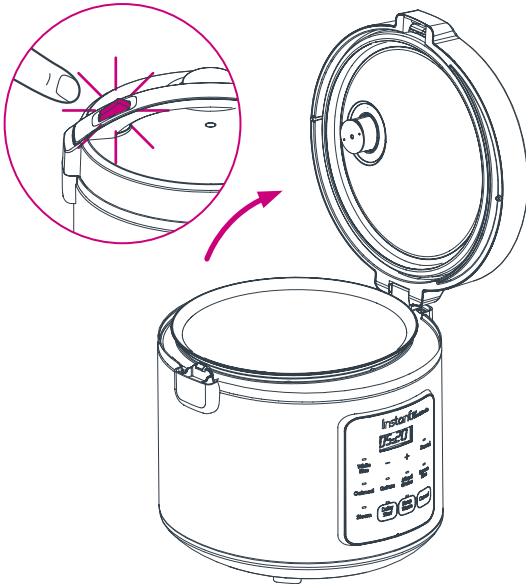
For a complete list of colors and/or sizes, visit [instantappliances.com](https://www.instantappliances.com)

The image features a top-down view of several burlap sacks filled with different types of rice. The grains vary in color, including white, light beige, and dark brown. Two wooden spoons are placed in the foreground, one holding a portion of white rice. The text 'Getting Started' is overlaid in the center in a white, sans-serif font.

Getting Started

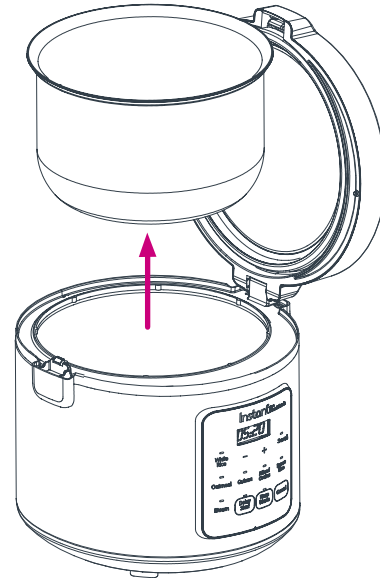
1

Press the lid release button on the lid handle down, then open the lid.



2

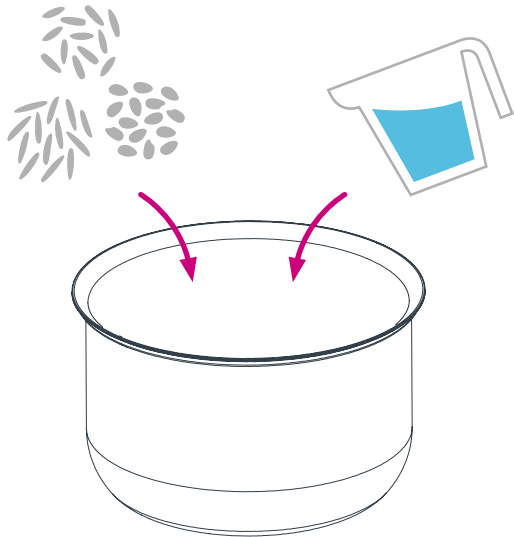
Remove the inner pot from the cooker base.



Note: The lid cannot be removed from cooker base.

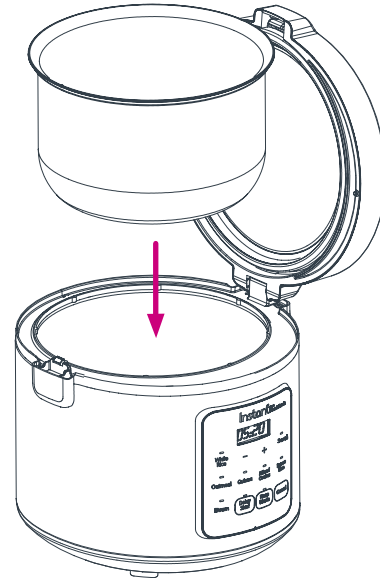
3

Add grain and cooking liquid to the inner pot, according to your recipe.



4

Insert the inner pot into the cooker base.



5

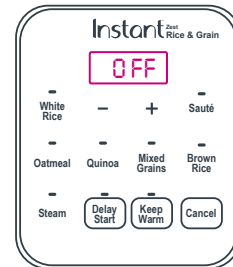
Close the lid. It clicks to indicate that it is closed correctly.



6

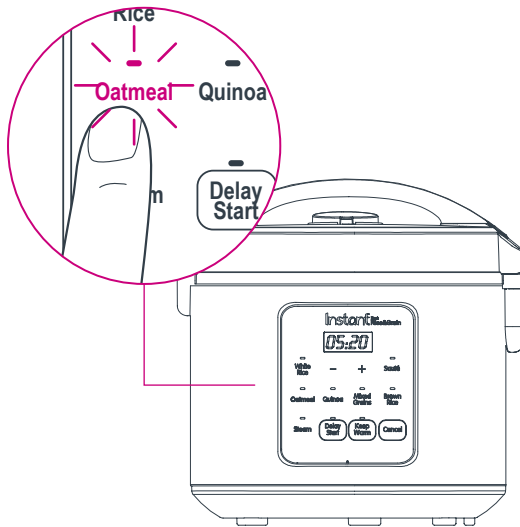
Connect the power cord to a 120V power source.

The cooker is in Standby, and the display indicates "OFF".



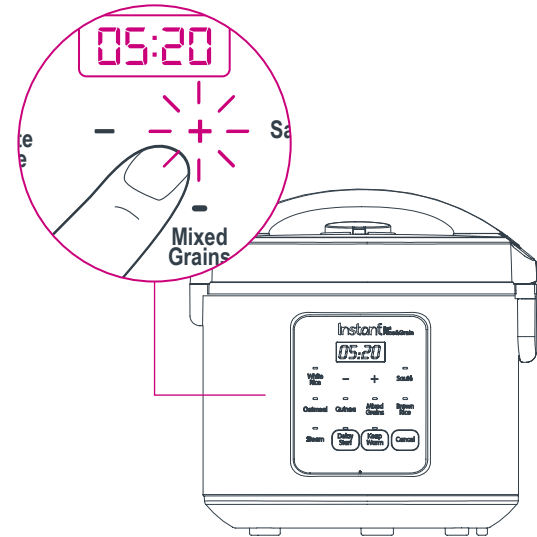
7

Select a Smart Program.



8

If applicable, use -/+ to manually adjust the cook time.

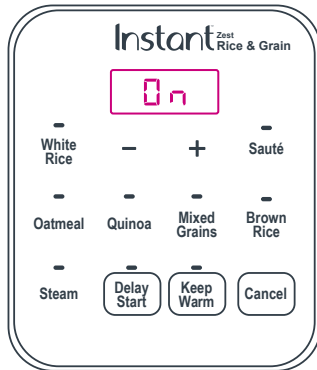


Note: All Smart Programs except *Steam*, *Sauté* and *Oatmeal* will automatically set the cook time based on the volume of grain in the inner pot.

9

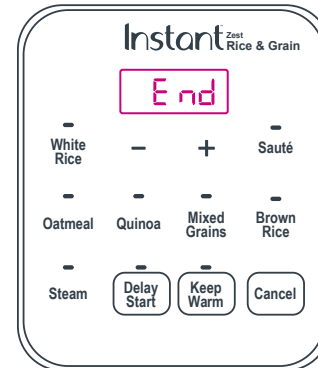
5 seconds after making your selection, the cooker will begin heating.

Display indicates “On” for automated programs. For manually adjusted programs (**Sauté**, **Steam**, **Slow Cook**, **Oatmeal**) the countdown time is displayed.



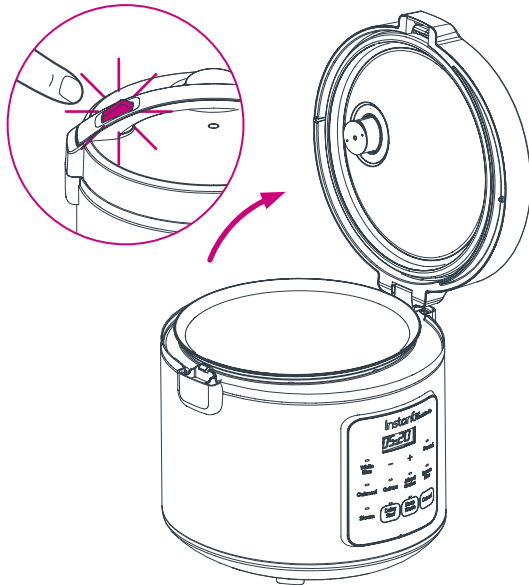
10

When the Smart Program completes, the cooker will go to **Keep Warm** and display “End”. To cancel this function, press **Cancel** at any time.



11

When ready, press the lid release on the lid handle down, then **carefully** open the lid.



More Controls

- Cancel** Press to stop a Smart Program at any time. Cooker returns to Standby and displays “OFF”.
- Delay Start** Postpone cooking up to 24 hours. Select a Smart Program and press **Delay Start** to turn the setting on. Use **-/+** to set the number of hours and minutes before cooking will begin. After a few seconds cooker will beep and **Delay Start** will begin counting down. There is no **Delay Start** function on **Sauté** program. (Zest 20C only).
- Keep Warm** Setting is on by default on all Smart Programs. Once Smart Program is selected, press **Keep Warm** to turn the setting off.



For further information on controls and Smart Programs, refer to the full User Manual online at [instantappliances.com](https://www.instantappliances.com)

A top-down view of a white bowl with a red rim, filled with a creamy risotto. The risotto is garnished with small pieces of red tomatoes, green basil leaves, and melted cheese. To the left of the bowl is a small glass bowl containing more melted cheese, with a silver fork resting inside. Further left, there are two whole red tomatoes on a vine and a few fresh basil leaves. The bowl sits on a white lace-patterned placemat, which is placed on a light-colored wooden table. A silver fork and spoon are visible at the bottom of the frame. The text "Smart Programs" is overlaid in the center of the image in a white, bold, sans-serif font.

Smart Programs


Smart Programs

Smart Program	Grain : Water Ratio	Estimated Cook Time
White Rice	1 cup : 1 ½ cups	25 - 60 minutes
Brown Rice	1 cup : 2 cups	40 - 90 minutes
Oatmeal	1 cup : 3 cups	20 - 90 minutes
Quinoa	1 cup : 1 ½ cups	30 - 60 minutes
Steam	N/A	5 - 60 minutes
Mixed Grains (<i>Zest 20C only</i>)	1 cup : 2 cups	40 - 90 minutes

Smart Program	Temperature	Estimated Cook Time	Notes
Sauté (<i>Zest 20C only</i>)	Low / High	1 - 30 minutes	Do not close the lid when using Sauté. To switch between "Lo" and "Hi" press the Sauté button before pressing Start.
Manual Keep Warm	Low / High	up to 12 hours	To switch between "Lo" and "Hi" press the Keep Warm button before pressing Start.

Note: Cooking times and ratios are recommendations only. Follow a trusted recipe.

For the complete cooking timetable, visit instantappliances.com

A close-up photograph of a plate of food. On the left side of the plate is a portion of food covered in a thick, yellow-orange sauce, possibly a curry or a pasta sauce. On the right side of the plate is a portion of white rice. The plate is light blue or teal. The background is blurred, showing what appears to be a wooden table and a wooden-handled utensil.

Enjoy time well spent with
the Instant family of small appliances.

Instant[™]

Register your product today at:

instantappliances.com/support/register

Instant Brands Inc.

11 - 300 Earl Grey Dr., Suite 383

Ottawa, Ontario

K2T 1C1

Canada

Contact Customer Care:

1-800-828-7280

support@instantappliances.com

instantappliances.com/#Chat

instantappliances.com

store.instantappliances.com