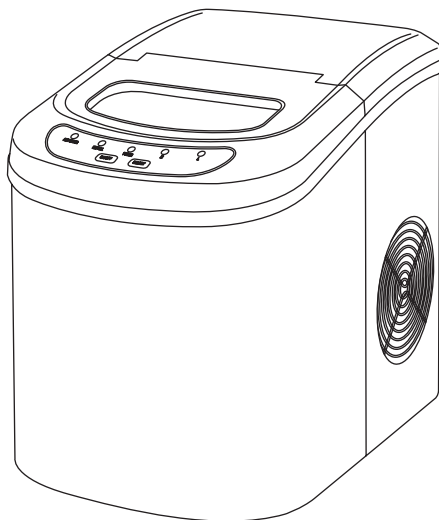




Magic Chef®

27-Lb. Countertop Ice Maker

User's Manual



Model MCIM22RT

**PLEASE READ THIS MANUAL CAREFULLY BEFORE USING YOUR
COUNTERTOP ICE MAKER AND KEEP IT FOR FUTURE REFERENCE.**





PRODUCT REGISTRATION

Thank you for purchasing a Magic Chef® product. The first step to protect your new product is to complete the product registration on our website: www.mcappliance.com/register. The benefits of registering your product include the following:

1. Registering your product will allow us to contact you regarding a safety notification or product update.
2. Registering your product will allow for more efficient warranty service processing when warranty service is required.
3. Registering your product could act as your proof of purchase in the event of insurance loss.

Once again, thank you for purchasing a Magic Chef product.

CONTENTS

PRODUCT REGISTRATION	2
IMPORTANT SAFETY INSTRUCTIONS	4
SPECIFICATIONS	5
PARTS AND FEATURES	6
INSTALLATION INSTRUCTIONS	7
OPERATING INSTRUCTIONS	8
CARE AND MAINTENANCE	9
TROUBLESHOOTING	10
LIMITED WARRANTY	11

IMPORTANT SAFETY INSTRUCTIONS

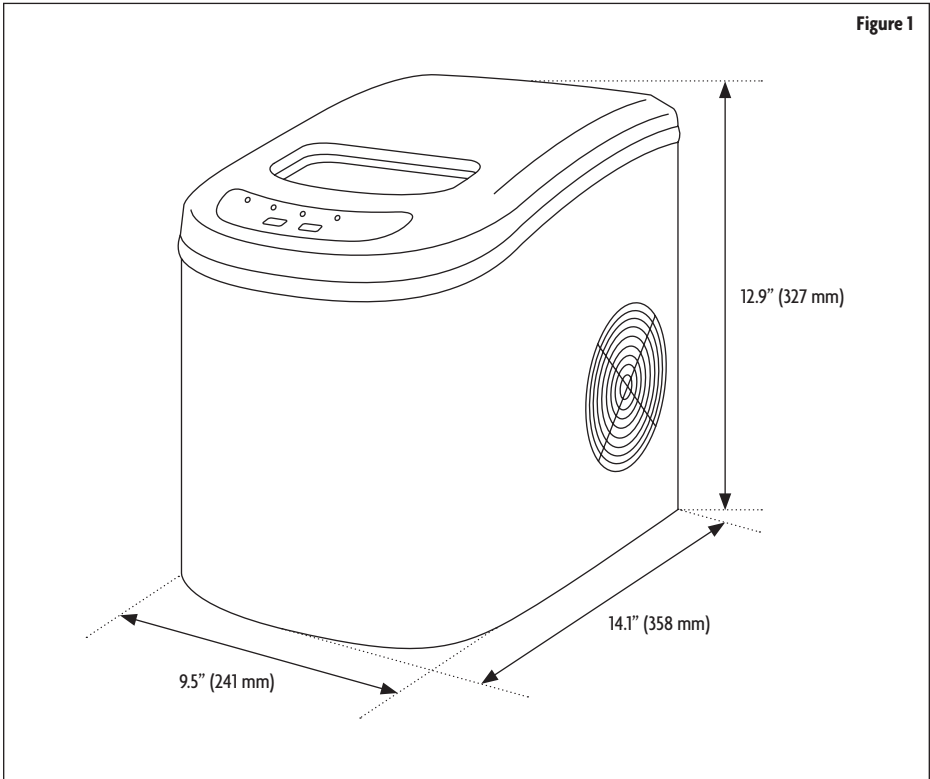
When using electrical appliances, basic safety precautions should be followed to reduce the risk of fire, electric shock, and injury to persons or property. Read all instructions before using any appliance.

- DO NOT operate this or any other appliance with a damaged cord.
- Connect to properly polarized outlets only. No other appliance should be plugged into the same outlet. Be sure that the plug is fully inserted into the receptacle.
- DO NOT run cord over carpeting or other heat insulators. DO NOT cover the cord. Keep cord away from traffic areas, and DO NOT submerge in water.
- We do not recommend the use of an extension cord, as it may overheat and become a fire hazard. If you must use an extension cord, use No. 14 AWG minimum size and rated no less than 1875 watts.
- Unplug the ice maker before cleaning or making repairs.
- Exercise caution and use reasonable supervision when appliance is used near children/
- DO NOT clean your ice maker with flammable fluids. The fumes can create a fire hazard or explosion.
- DO NOT tip over.
- If the ice maker is brought indoors from outdoors during the wintertime, give it a few hours to adjust to room temperature before plugging it in.

**READ AND FOLLOW THIS
SAFETY INFORMATION CAREFULLY
SAVE THESE INSTRUCTIONS**

SPECIFICATIONS

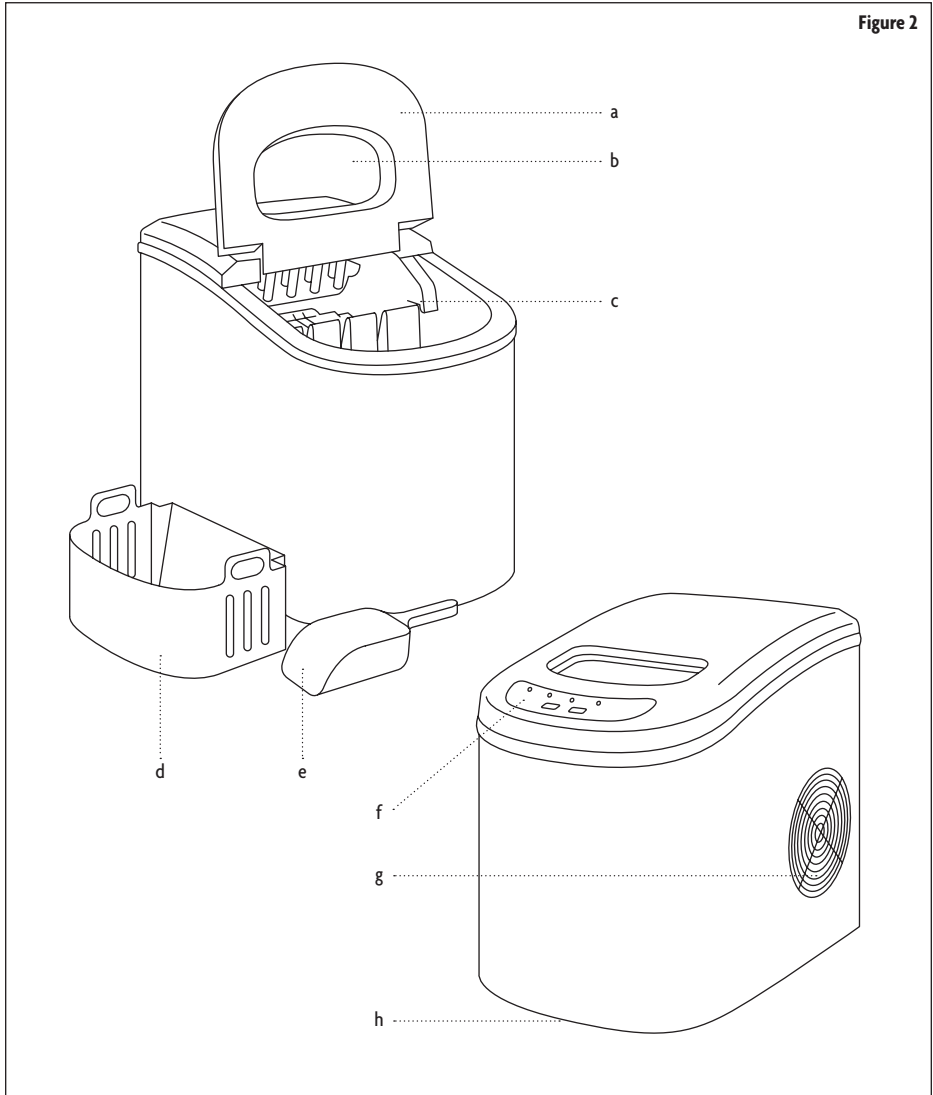
Figure 1



Dimensions (W x H x D)	9.5" x 12.9" x 14.1" (241 mm x 327 mm x 358 mm)
Weight	17.8 lbs (8.0 kg)
Ice Producing Capacity	Up to 27 Lbs a day

PARTS AND FEATURES

Figure 2



- | | | |
|--|--|---|
| a. Cover | e. Ice Scoop | i. Maximum Water Level
(Not shown on the unit image above. You can see the water level mark when the ice basket is removed.) |
| b. See Through Window
(Allows visibility of the interior) | f. Control Panel | |
| c. Ice Full Sensor | g. Air Outlet | |
| d. Ice Basket | h. Water Drain Cap
(At front underside of the unit) | |

INSTALLATION INSTRUCTIONS

UNPACKING YOUR ICE MAKER

1. Remove all exterior and interior packaging. Check that ice basket and ice scoop is included. If any parts or accessories are missing, please contact customer service.
2. Clean the interior with lukewarm water and a soft cloth. Remove the ice basket and wash it in warm water.
3. Find a location for your ice maker that is protected from direct sunlight and other sources of heat (i.e.: stove, furnace, radiator). Place the ice maker on a level surface. Make sure that there is at least 5 inches of space between the back and sides of your ice maker and the wall.
4. Allow one hour for the refrigerant fluid to settle before plugging it in the unit.
5. The appliance must be positioned so that the plug is accessible.

CONNECTING YOUR ICE MAKER

▲ DANGER: Improper use of the grounded plug can result in the risk of electrical shock. If the power cord is damaged, please call our customer service at 888-775-0202.

1. This unit should be properly grounded for your safety. The power cord if this appliance is equipped with a three-prong plug which connects with standard three prong wall outlets to minimize the possibility of electric shock.
2. Plug your appliance into an exclusive, properly installed, grounded wall outlet. **DO NOT** under any circumstances, cut or remove the third (ground) prong from the power cord. Any questions concerning power and/or grounding should be directed toward a certified electrician.
3. This appliance requires a standard 115 Volt, 60 Hz electrical outlet with three prong ground.

▲ NOTE: Before using your ice maker, it is strongly recommended to clean it thoroughly.

▲ WARNING: The ice maker is not designed to be installed in an outside area such as a garage or a porch. Ambient temperatures of below 50°F or above 100.4°F will hinder the performance of the appliance.

OPERATING INSTRUCTIONS

CONTROL PANEL

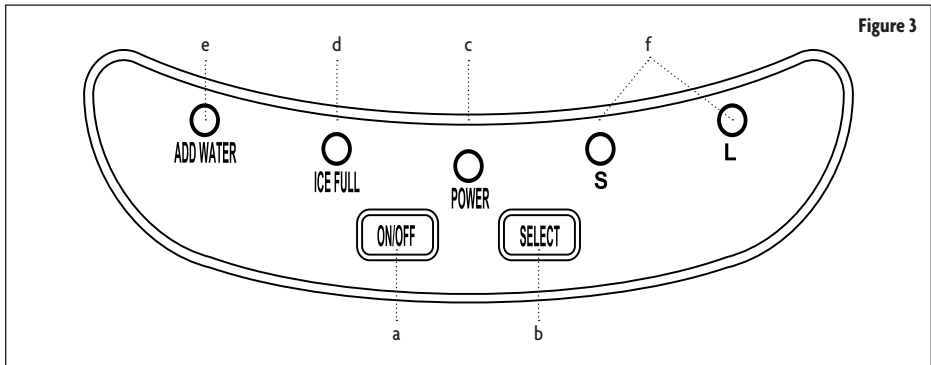


Figure 3

- | | | |
|-----------------------------------|-----------------------|--------------------------------------|
| a. Button to turn on/off the unit | c. Power Indicator | e. Water Shortage Indicator |
| b. Button to select ice cube size | d. Ice Full Indicator | f. Selected ice size: Small or large |

BEFORE USE

- Before connecting the appliance to the power supply, let the unit stand upright for 1 hour, which will reduce the possibility of the cooling system malfunctioning due to improper handling.
- Clean your unit thoroughly before putting into use. (Refer to “CARE AND MAINTENANCE”.)
- Use the parts diagram on page 6 to insure proper positioning of internal components.

USING YOUR ICE MAKER

1. Clean your ice maker thoroughly.
2. Open the cover, remove the ice basket and pour normal tap water into tank. Keep water level below the level mark.
3. Plug in the unit and the power indicator light will blink.
4. Press “POWER” on the control panel to begin the ice making cycle. The power indicator light will light.
5. Select the size of the ice cube by pressing the “SELECT” button. If ambient temperature is below 60°F, it is recommended to select small size to avoid ice sticking together.
6. While the icemaker is on, check water level periodically. If water pump cannot inject water, the ice maker will stop automatically, and the “WATER” indicator will be on. Press the “POWER” button, fill water up to the level mark and press “POWER” again. Allow 3 minutes for the refrigerant to settle before restarting.
7. The ice maker automatically stops working when the ice basket is full and the “ICE FULL” indicator will be illuminated.

▲ WARNING: Direct or reflected sunlight may cause the infrared sensor to malfunction. If the unit doesn't stop making ice, even when full, move the unit where there is no sunlight.

Change water in the water reservoir every 24 hours to ensure a reasonable hygiene level. If unit is not in use, drain all water in the tank reservoir.

CARE AND MAINTENANCE

HOW TO CLEAN

1. Remove the ice basket.
2. Remove the drain plug from the front underside to drain the water.
3. Clean the interior with diluted detergent, warm water and a soft cloth.
4. The outside of the ice maker should be cleaned regularly with a mild detergent solution and warm water.
5. Dry the interior and exterior with a soft cloth.
6. Put back the drain plug.
7. When the machine is not in use, open water drain cap to drain water completely from water reservoir.

CARE AND MAINTENANCE

- The ice maker should be cleaned on a regular basis.
- It is necessary to have an adequate ventilation space around the ice maker in order to sustain proper performance, dissipation of heat, maintain efficiency, and low power consumption. Clearance of minimum 5 inches should be maintained at the rear and sides of the unit and 8 inches at the top of the unit.
- To attain proper performance, be sure to plug the appliance into a properly grounded 115/60 Hz outlet.
- DO NOT modify the power cord under any circumstances to allow the unit to be plugged into a non-grounded outlet. To avoid heat damage to the power cord, please ensure that it does not come in proximity or in direct contact with the compressor of the ice maker.
- Please avoid installing the ice maker in a location where the appliance will come in contact with water or moisture to minimize rusting of metal parts.
- The ice maker should not be installed near any heat source or in a location where it will come in direct contact with the sunlight.

TROUBLESHOOTING

Problem	Possible Cause	Solution
“ADD WATER” indicator is on.	Lack of water.	Stop the ice maker, gill water, and press “POWER” button again to restart the unit.
“ICE” indicator is on.	Ice basket is full.	Remove ice from ice basket or continuously press “SELECT” button 5 seconds. The unit could make ice 10 cycles even “ICE” indicator is on.
“WATER” and “ICE” indicators are both illuminated.	Ice shovel is stuck.	Check if ice is blocking the ice shovel, otherwise consult a certified technician.
Ice cubes stick together.	Ice making cycle is too long.	Stop the ice maker, and restart when the ice blocks melt. Select the small ice size.
	Water temperature in inner tank is too low.	Change the water in the reservoir. Use water between 45°F-90°F.
	Leaving ice in the appliance for an extended period of time may result in the appliance recycling the ice by melting it down and making a new batch.	Transfer ready-made ice to another container and store in a cooler or freezer to avoid recycling.
Ice cubes are melting.	Leaving ice in the appliance for an extended period of time may result in the appliance recycling the ice by melting it down and making a new batch.	After extended period transfer ready-made ice to another container and store in a cooler or freezer to avoid recycling.
Ice making cycle is normal but no ice is made.	Ambient temperature or water temperature in inner tank is too high.	Operate the ice maker below ambient temperature of 90°F and use cold water.
	Refrigerant liquid leakage.	Consult a qualified technician.
	Pipe in the cooling system is blocked.	Consult a qualified technician.



LIMITED WARRANTY

MC Appliance Corporation warrants each new Ice Maker to be free from defects in material and workmanship, and agrees to remedy any such defect or to furnish a new part(s), at the company's option, for any part(s) of the unit that has failed during the warranty period. Parts and labor expenses are covered on this unit for a period of one year from the date of purchase. A copy of the dated sales receipt/invoice is required to receive warranty service, replacement or refund.

In addition, MC Appliance Corporation warrants the compressor (part only) to be free from defects in material and workmanship for a period of five years. The consumer is responsible for all labor and transportation expenses related to the diagnosis and replacement of the compressor after the initial one-year warranty has expired. In the event the unit requires replacement or refund under the terms of this warranty, the consumer is responsible for all transportation expenses to return the unit to our factory prior to receiving a replacement unit or refund. A copy of the dated sales receipt/invoice is required to receive warranty service.

This warranty covers appliances in use within the contiguous United States, Alaska, Hawaii and Puerto Rico. This warranty does not cover the following:

- Damages due to shipping damage or improper installation.
- Damages due to misuse or abuse.
- Content losses due to failure of the unit.
- Punctures to the evaporator system due to improper defrosting of the unit.
- Repairs performed by unauthorized service agents.
- Service calls that do not involve defects in material and workmanship such as instructions on proper use of the product or improper installation.
- Replacement or resetting of house fuses or circuit breakers.
- Failure of this product if used for other purposes than its intended purpose.
- Disposal costs for any failed unit not returned to our factory.
- Any delivery/installation costs incurred as the result of a unit that fails to perform as specified.
- Expenses for travel and transportation for product service if your appliance is located in a remote area where service by an authorized service technician is not available.
- The removal and reinstallation of your appliance if it is installed in an inaccessible location or is not installed in accordance with published installation instructions.
- Refunds for non repairable products are limited to the price paid for the unit per the sales receipt.
- This warranty is non transferable. This warranty applies only to the original purchaser and does not extend to any subsequent owner(s).

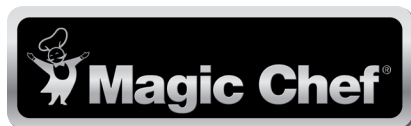
Limitations of Remedies and Exclusions:

Product repair in accordance with the terms herein, is your sole and exclusive remedy under this limited warranty. Any and all implied warranties including merchantability and fitness for a particular purpose are hereby limited to one year or the shortest period allowed by law. MC Appliance Corporation is not liable for incidental or consequential damages and no representative or person is authorized to assume for us any other liability in connection with the sale of this product. Under no circumstances is the consumer permitted to return this unit to the factory without the prior written consent of MC Appliance Corporation.

Some states prohibit the exclusion or limitation of incidental or consequential damages, or limitations on implied warranties. This warranty gives you specific legal rights, and you may also have other rights which vary from state to state.

Model	Parts & Labor	Compressor (Parts Only)	Type of Service
MCIM22RT	One Year	Five Years	Carry In

For Service or Assistance please call **888-775-0202** or visit us on the web at www.mcappliance.com to request warranty service or order parts.



**CNA International, Inc. d/b/a MC Appliance Corporation. All rights reserved.
Magic Chef® logo is a registered trademark of CNA International, Inc.**

www.mcappliance.com

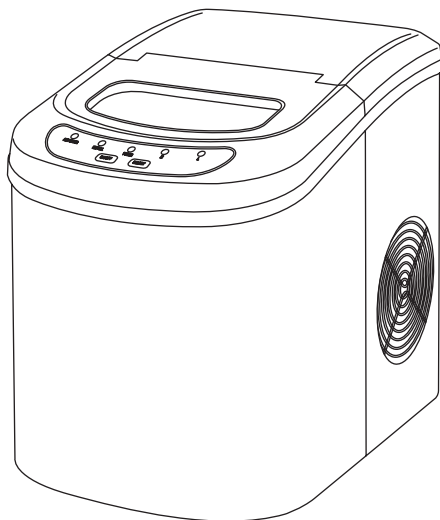
Printed in China



Magic Chef®

Máquina de hacer hielo de encimera

Manual del usuario



Modelo MCIM22RT

**POR FAVOR LEA CUIDADOSAMENTE ESTE MANUAL ANTES DE USAR SU
MÁQUINA DE HACER HIELO Y CONSÉRVELO PARA FUTURAS REFERENCIAS.**





REGISTRO DEL PRODUCTO

Gracias por comprar un producto Magic Chef®. El primer paso para proteger su nuevo producto es completar el registro del producto en nuestro sitio web: www.mcappliance.com/register. Entre los beneficios de registrar su producto se incluyen los siguientes:

1. Registrar su producto nos permitirá contactarlo en relación con cualquier aviso de seguridad o actualización del producto.
2. Registrar su producto permitirá un proceso de servicio de garantía más eficiente, cuando se requiera el servicio de garantía.
3. Registrar su producto podría servir como su prueba de compra en el caso de que usted sufra una pérdida que esté cubierta por el seguro.

Una vez más, gracias por comprar un producto Magic Chef.

ÍNDICE

REGISTRO DEL PRODUCTO	14
INSTRUCCIONES DE SEGURIDAD IMPORTANTES	16
ESPECIFICACIONES	17
PIEZAS Y FUNCIONES	18
INSTRUCCIONES DE INSTALACIÓN	19
INSTRUCCIONES DE FUNCIONAMIENTO	20
CUIDADO Y MANTENIMIENTO	21
SOLUCIÓN DE PROBLEMAS	22
GARANTÍA LIMITADA	23

INSTRUCCIONES DE SEGURIDAD IMPORTANTES

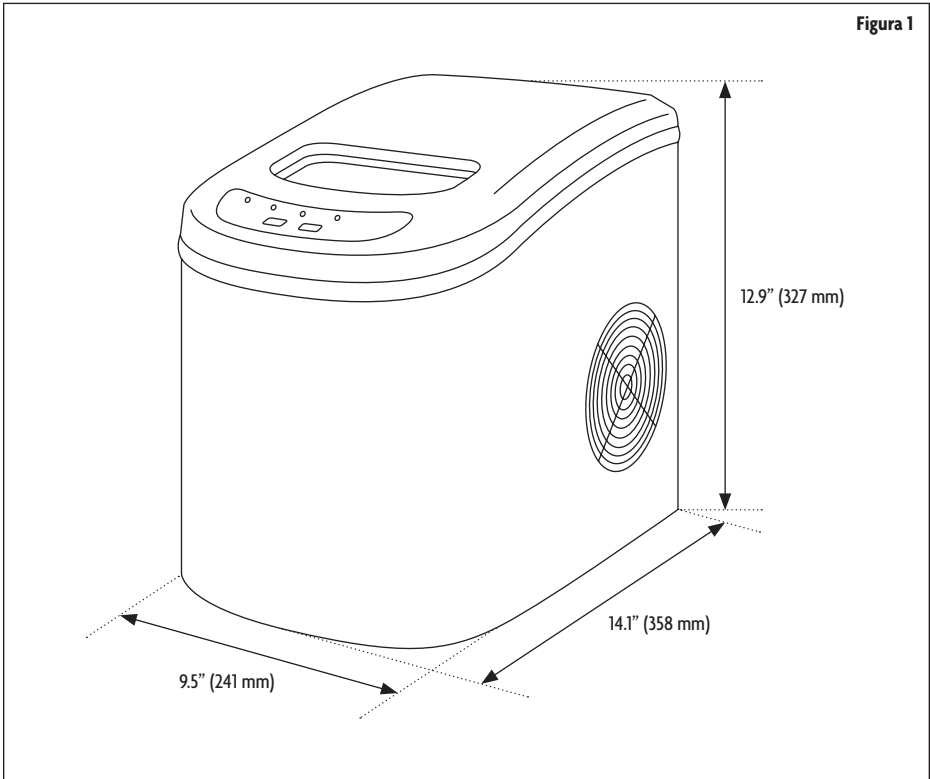
Cuando se utilizan electrodomésticos, se deben observar ciertas medidas de precaución para reducir el riesgo de incendios, golpes de corriente y lesiones a las personas o daños a la propiedad. Leer atentamente todas las instrucciones antes de usar cualquier electrodoméstico.

- No poner en funcionamiento ningún electrodoméstico que tenga el cable dañado.
- Conectar solamente en tomacorrientes debidamente polarizados. No se debe conectar ningún otro artefacto en el mismo tomacorriente. Verificar que el enchufe esté correctamente colocado en el tomacorriente.
- No dejar el cable extendido sobre la alfombra ni sobre ningún otro aislante térmico. No cubrir el cable. Mantener el cable fuera del área de circulación y no sumergir en agua.
- No se recomienda el uso de cables de prolongación ya que se pueden recalentar y causar un incendio. Si se requiere el uso de un cable de prolongación, usar N. 14 AWG tamaño mínimo especificado para 1875 Watts, por lo menos.
- Desenchufar la máquina antes de limpiar o efectuar reparaciones.
- Tener extrema precaución y adoptar razonables medidas de seguridad cuando se use el electrodoméstico en presencia de niños.
- No limpiar la máquina con líquidos inflamables. Los vapores pueden originar un incendio o explosión.
- No inclinar ni volcar.
- Si en la temporada de invierno la fabricadora que estaba en el exterior se coloca en el interior, se debe dejar descansar algunas horas hasta que adquiera temperatura ambiente antes de enchufar.

**LEA ESTA INFORMACIÓN DE
SEGURIDAD Y SÍGALA CUIDADOSAMENTE
GUARDE ESTAS INSTRUCCIONES
USO DOMÉSTICO SOLAMENTE**

ESPECIFICACIONES

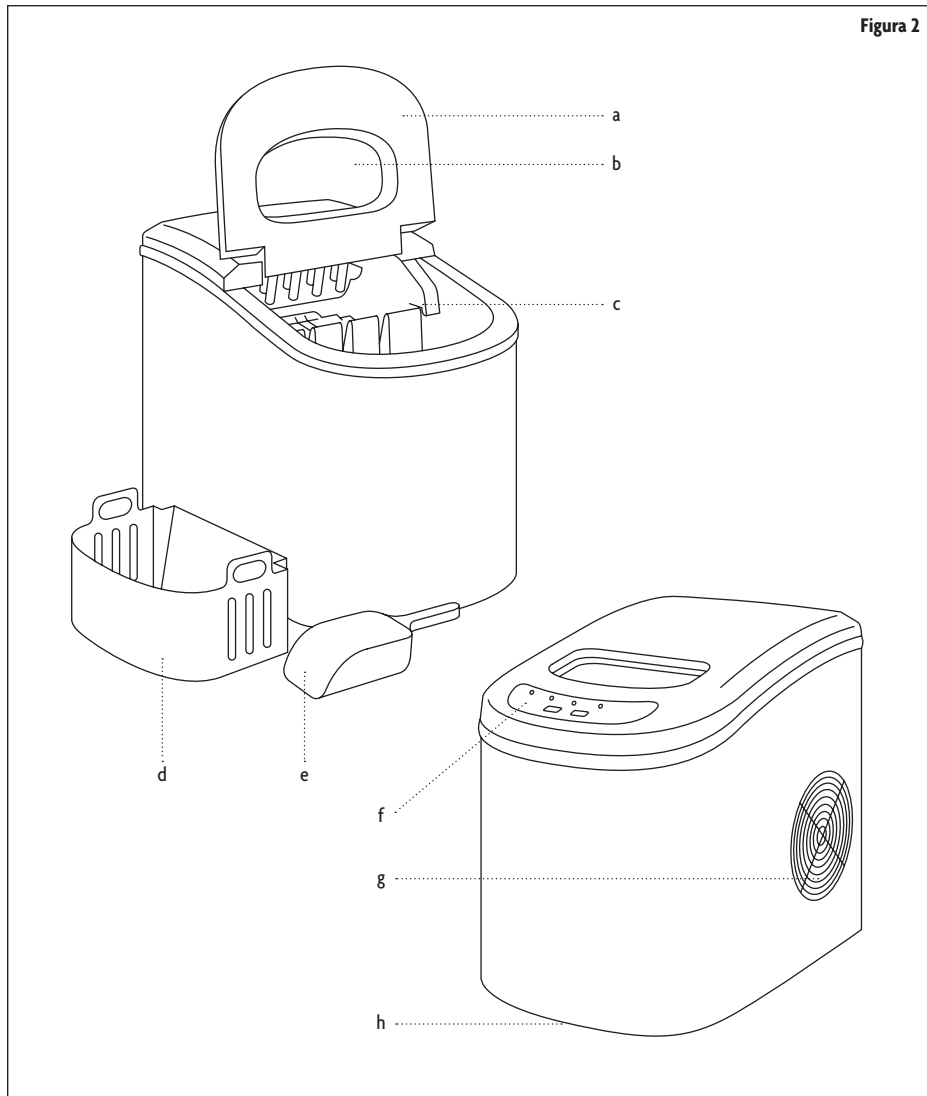
Figura 1



Dimensiones (A x L x P)	9.5" x 12.9" x 14.1" (241 mm x 327 mm x 358 mm)
Peso	17.8 lbs (8.0 kg)
Capacidad de producción de hielo	Hasta 27 libras al día

PIEZAS Y FUNCIONES

Figura 2



- a. Tapa
- b. Con ventana que permite ver el interior
- c. Sensor full hielo
- d. Canasta para hielo

- e. Cuchara para hielo
- f. Panel de control
- g. Salida de aire
- h. Tapón de drenaje de agua (En la parte inferior frontal de la unidad)

- i. Nivel máximo de agua (No se muestra en la imagen encima. Retire la cesta de hielo, se puede ver la marca del nivel del agua)

INSTALLATION INSTRUCTIONS

DESEMBALAJE DE LA FABRICADORA DE HIELO

1. Retirar todo el material de embalaje del exterior e interior. Verificar que estén la canasta y la cuchara para el hielo. Si falta alguna parte o accesorio, comunicarse con nuestro departamento de servicio al cliente.
2. Limpiar el interior con agua tibia y paño suave. Retirar la canasta y lavarla con agua tibia.
3. Ubicar la fabricadora de hielo en un sitio en el que se encuentre protegida de la luz solar directa y otras fuentes de calor (como, horno, calentador, radiador). Ubicar la máquina sobre una superficie nivelada. Verificar que haya por lo menos 5 pulgadas de distancia entre la parte posterior y los laterales de la máquina y las paredes circundantes.
4. Dejar transcurrir cuatro horas para que los líquidos refrigerantes se estabilicen antes de enchufar el aparato.
5. El electrodoméstico se debe ubicar de forma que permita el acceso al enchufe.

CONEXIÓN ELÉCTRICA DE LA FABRICADORA DE HIELO

▲ PELIGRO: El manejo inapropiado del enchufe con descarga a tierra puede ocasionar un golpe de corriente. Si el cable de alimentación está dañado, por favor llame al departamento de servicio al cliente.

1. La unidad debe estar adecuadamente conectada a tierra para su seguridad. El cable de electricidad de este electrodoméstico cuenta con un enchufe de tres patas que se conecta a un tomacorriente estándar de pared con tres patas para reducir las posibilidades de golpes de corriente.
2. Enchufar el electrodoméstico en un tomacorriente utilizado exclusivamente para este aparato con la correspondiente descarga a tierra. No cortar ni retirar la tercera pata (descarga a tierra) del enchufe bajo ninguna circunstancia. cualquier duda relacionada con la red de electricidad y/o la descarga a tierra debe resolverse con un electricista habilitado.
3. Este equipo se debe enchufar en un tomacorriente estándar de tres patas con descarga a tierra conectado a una red eléctrica de 115 voltios, 60 Hz.

▲ NOTA: Se recomienda limpiar bien el electrodoméstico antes de usarlo.

▲ ADVERTENCIA: Este electrodoméstico no está diseñado para instalar en exteriores como garaje o hall de entrada. Las temperaturas ambiente inferiores a 50°F o superiores a 100.4°F pueden obstaculizar el funcionamiento del aparato.

INSTRUCCIONES DE FUNCIONAMIENTO

PANEL DE CONTROL

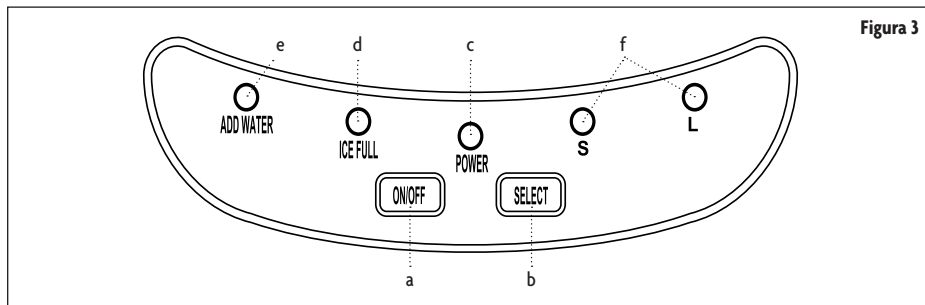


Figura 3

- | | | | |
|----|---|----|---|
| a. | Botón para encender/apagar la unidad | d. | Indicador de full hielo |
| b. | Botón para seleccionar el tamaño del cubo | e. | Indicador de escasez de agua |
| c. | Indicador de alimentación | f. | Tamaño hielo seleccionado: pequeño o grande |

ANTES DE SU USO

- Antes conectar el aparato a la alimentación, permitió el soporte de la unidad vertical por 4 horas, que reducirá la posibilidad del sistema de refrigeración que falla debido al manejo impropio.
- Limpie su unidad completamente antes de poner en el uso. (Vea para "CUIDADO Y MANTENIMIENTO".)
- Utilice el esquema de partes en la página 4 en asegurar posicionar apropiado de componentes internos.

USO DE LA FABRICADORA DE HIELO

1. Limpiar cuidadosamente la fabricadora de hielo.
2. Levantar la tapa, retirar la canasta para hielo y verter el agua normal del golpecito en el recipiente. Mantener el nivel de agua por debajo de la marca.
3. Conectar la unidad; comenzará a titilar la luz de encendido/apagado.
4. Pulsar "Power" (Encendido/Apagado) en el panel de control para iniciar el ciclo de fabricación de hielo. Se encenderá la luz de encendido/apagado.
5. Seleccionar el tamaño de los cubos de hielo pulsando el botón "Select" (Seleccionar). Si la temperatura ambiente es inferior a 60°F, se recomienda seleccionar tamaño pequeño o mediano para que los cubos de hielo no se peguen.
6. El ciclo de fabricación dura de 7 a 14 minutos, según el tamaño de cubos seleccionado.
7. Mientras la fabricadora esté prendida, controlar periódicamente el nivel del agua. Si la bomba de agua no puede inyectar agua la máquina se detendrá automáticamente y se encenderá el indicador "Water" (agua). Pulsar el botón "Power" (Encendido/Apagado), completar con agua hasta la marca del nivel y volver a pulsar "Power".

▲ ADVERTENCIA: Dejar pasar 3 minutos antes de reiniciar para que el refrigerante se estabilice.

8. La máquina se detiene automáticamente cuando la canasta está llena y se ilumina el indicador "Ice" (hielo).
9. Cambiar el agua del recipiente cada 24 horas para asegurar un nivel razonable de higiene. Si la máquina no está en uso, drenar toda el agua del recipiente.

CUIDADO Y MANTENIMIENTO

CÓMO LIMPIAR

1. Retirar la canasta para hielo.
2. Gire la tapa de drenaje el sentido contra-horario a desaguar dl agua.
3. Limpiar el interior con agua jabonosa tibia y paño suave.
4. La parte exterior de la fabricadora de hielo se debe limpiar periódicamente con una solución de agua tibia y detergente suave.
5. Secar el interior y exterior con paño suave.
6. Cerrar la tapa de drenaje.
7. Cuando la máquina no esté en funcionamiento, abrir la tapa del drenaje para permitir la salida del agua del recipiente.

CUIDE Y LA CONSERVACIÓN

- La fabricadora de hielo se debe limpiar en forma periódica.
- En necesario mantener un adecuado espacio de ventilación alrededor de la fabricadora de heilo para optimizar su funcionamiento, disipar el calor, mantener la eficiencia y disminuir el consumo eléctrico. Se debe dejar un espacio de 5 pulgadas en la parte de atrás y a los costados y 8 pulgadas en la parte de arriba.
- Para obtener un funcionamiento correcto, verificar que el electrodoméstico esté conectado a un toma de 115/60 Hz con descarga a tierra.
- Bajo ninguna circunstancia se debe modificar el cable de alimentación para conectarlo en un toma corriente que no tenga descarga a tierra. No dejar el cable de alimentación cerca del compresor de la fabricadora de hielo ni en contacto directo con esté para evitar daños por el calor.
- No colocar la fabricadora de hielo en un sitio en el que pueda estar en contacto con agua a humedad para evitar la oxidación de las partes metálicas.
- No instalar cerca de una fuente de calor ni en un lugar donde esté expuesta directamente al sol.

SOLUCIÓN DE PROBLEMAS

Problema	Causa posible	Solución
El indicador "Water" está prendido.	Hay poca agua.	Detenga la máquina, llene de agua y reinicie.
El indicador "Ice" está prendido.	La canasta de hielo está llena.	Retire hielo de la canasta.
Los indicadores "Water" y "Ice" están prendidos.	La pala para hielo está trabada.	Verifique si el hielo está trabando la pala; si no es así, consulte con un técnico habilitado.
Los cubos de hielo se pegan.	El ciclo de fabricación de hielo es muy largo.	Detenga la máquina y reinicie cuando los cubos se derritan. Seleccione el tamaño de cubo pequeño.
	La temperatura dentro del tanque es demasiado baja.	Cambie el agua del tanque. Usar agua entre 45°F-90°F.
	Si deja el hielo en el electrodamístico por un período del tiempo extendido el electrodamístico podría recidar el hielo por derriéndolo y haciéndolo un Nuevo lote.	Transfiera el hielo preparado a otro envase y guarde en un refrigerador o un congelador para evitar de recidar.
Los cubos del hielo están derritiendo.	Si deja el hielo en el electrodamístico por un período del tiempo extendido el electrodamístico podría recidar el hielo por derriéndolo y haciéndolo un Nuevo lote.	Después del periodo extendido transfiera el hielo preparado a otro envase y guarde en un refrigerador o congelador a evitar de recidar.
El ciclo de fabricación de hielo es normal pero no se hace hielo.	La temperatura ambiente o la temperatura del agua del tanque es demasiado alta.	Verifique que la temperatura esté operando con temperatura ambiente inferior a 90°F y use agua fría.
	Pierde líquido refrigerante.	Consulte a un técnico habilitado.
	La cañería del sistema de refrigeración está obstruida.	Consulte a un técnico habilitado.



GARANTÍA LIMITADA

MC Appliance Corporation garantiza que todas las Máquina de hacer hielo carecen de defectos en el material y la mano de obra y acuerda solucionar cualquiera de estos defectos o instalar la(s) parte(s) nueva(s) (a elección de la compañía) en caso de que la unidad haya fallado durante el periodo de garantía. Las partes y gastos de reparación están cubiertos en esta unidad por un periodo de un año a partir de la fecha de compra. Es necesario presentar una copia del recibo o factura de compra con fecha para obtener los servicios de la garantía, el reemplazo o el reembolso.

Además MC Appliance corporation autoriza el compresor (piezas solamente) para estar libre de defectos en material y la ejecución por un periodo de cinco años. El consumidor es responsable de todo el trabajo y los costos del transporte relacionados con la diagnosis y el reemplazo del compresor después de las uno garantías inicial del año expiran. Si en el acontecimiento la unidad requiere el reemplazo o el reembolso bajo términos de esta garantía el consumidor es responsable de todos los costos del transporte volver la unidad a nuestra fábrica antes de recibir una unidad o un reembolso del reemplazo.

Esta garantía cubre los aparatos que se usen dentro de los Estados Unidos contiguos, Alaska, Hawái y Puerto Rico. La garantía no cubre lo siguiente:

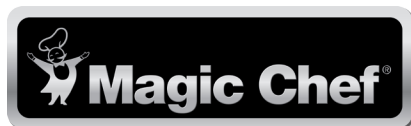
- Daños debido al daño del envío o a la instalación incorrecta.
- Daños debido al mal uso o abuso.
- Pérdidas de contenido debido a falla de la unidad.
- Componentes internos como paneles de puertas, estantes en la puerta, estantes, bombillas, etc.
- Las reparaciones se realizaron por los agentes desautorizados del servicio.
- Llamadas de servicio que no implican defectos en material y la ejecución tal como instrucción en el uso apropiado del producto o de la instalación incorrecta.
- Reemplazo o reajuste de los fusibles o de los interruptores de la casa.
- Falla de este producto si se usa con fines distintos a los que fue diseñado.
- Costes de la disposición de unidades falladas no vueltas a nuestra fábrica.
- Todos los gastos de entrega/instalación incurridos como resultado de una unidad que no cumple con lo especificado.
- Gastos de viajes y el transporte de los productos principales de servicio si su aparato está situado en una zona remota donde el servicio por un técnico de servicio no está disponible.
- La remoción y reinstalación de su gran aparato, si está instalado en un lugar inaccesible o no está instalado de conformidad con las instrucciones de instalación publicadas.
- Restituciones por productos no reparables se limita al precio pagado por la unidad por el recibo de compra.
- Esta garantía es intransferible. Esta garantía es válida exclusivamente para el comprador original y no se extiende a ningún otro propietario o propietarios subsiguientes.

Limitaciones de remedios y exclusiones:

La reparación del producto de acuerdo con los términos de este documento, es el único y exclusivo remedio determinado en esta garantía limitada. Todas y cada una de las garantías implicadas, incluyendo la calidad de comerciable y capacidad para un propósito particular, se limitan mediante la presente a un año o el periodo más corto permitido por la ley. MC Appliance Corporation no es responsable por daños incidentales ni resultantes y ningún representante o persona alguna están autorizados para asumir de parte nuestra ninguna otra responsabilidad en relación con la venta de este producto. Bajo ninguna circunstancia se le permite al consumidor regresar esta unidad a la fábrica sin consentimiento previo por escrito de MC Appliance Corporation. Algunos estados prohíben la exclusión o limitación por daños incidentales o resultantes, o limitaciones en las garantías implícitas. Esta garantía le otorga a usted derechos legales específicos, y usted puede también tener otros derechos que varían según la entidad federava donde se encuentre.

Modelo	Piezas & Trabajo	Compresor (Parte solamente)	Tipo de servicio
MCIM22RT	Uno año	Cinco años	Lleve adentro

Para servicio o asistencia, llame por favor al **888-775-0202**. O visítenos en **www.mcpliance.com** para solicitar el servicio de garantía o repuestos.



CNA International, Inc., opera bajo el nombre comercial de MC Appliance Corporation. Todos los derechos reservados. El logo de Magic Chef® es una marca registrada de CNA International, Inc.

www.mcappliance.com

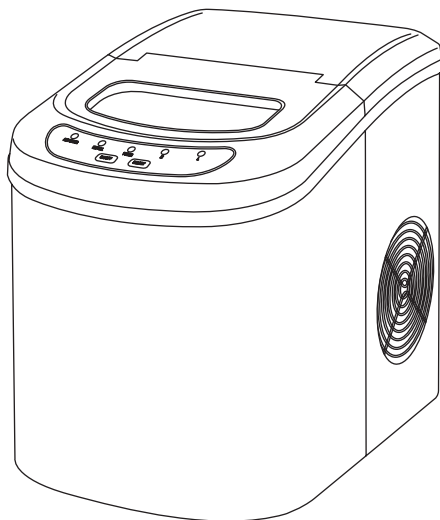
Impreso en China



Magic Chef®

12.2 kg (27 lb) Machine à glace de comptoir

Manuel d'utilisation



Modèle MCIM22RT

**VEILLEZ LIRE ATTENTIVEMENT CE MANUEL AVANT D'UTILISER VOTRE
MACHINE À GLACE ET CONSERVEZ-LE POUR RÉFÉRENCE FUTURE.**





ENREGISTREMENT DU PRODUIT

Merci d'avoir acheté un produit Magic Chef®. La première étape pour protéger votre produit est de remplir l'enregistrement de votre produit sur notre site web à www.mcappliance.com/register. Les avantages d'enregistrer votre produit sont les suivants:

1. Enregistrer votre produit vous permet de nous contacter par rapport aux avertissements de sécurité et aux mises à jour sur le produit.
2. Enregistrer votre produit permettra un traitement plus efficace de l'entretien sous garantie lorsqu'un entretien est nécessaire.
3. Enregistrer votre produit pourrait être utilisé comme preuve d'achat dans le cas d'une réclamation d'assurance.

Une fois de plus, merci d'avoir acheté un produit Magic Chef®.

CONTENU

ENREGISTREMENT DU PRODUIT	26
INSTRUCTIONS IMPORTANTES DE SÉCURITÉ	28
SPÉCIFICATIONS	29
PIÈCES ET CARACTÉRISTIQUES	30
INSTRUCTIONS D'INSTALLATION	31
INSTRUCTIONS D'UTILISATION	32
SOIN ET ENTRETIEN	33
DÉPANNAGE	34
GARANTIE LIMITÉE	35

INSTRUCTIONS IMPORTANTES DE SÉCURITÉ

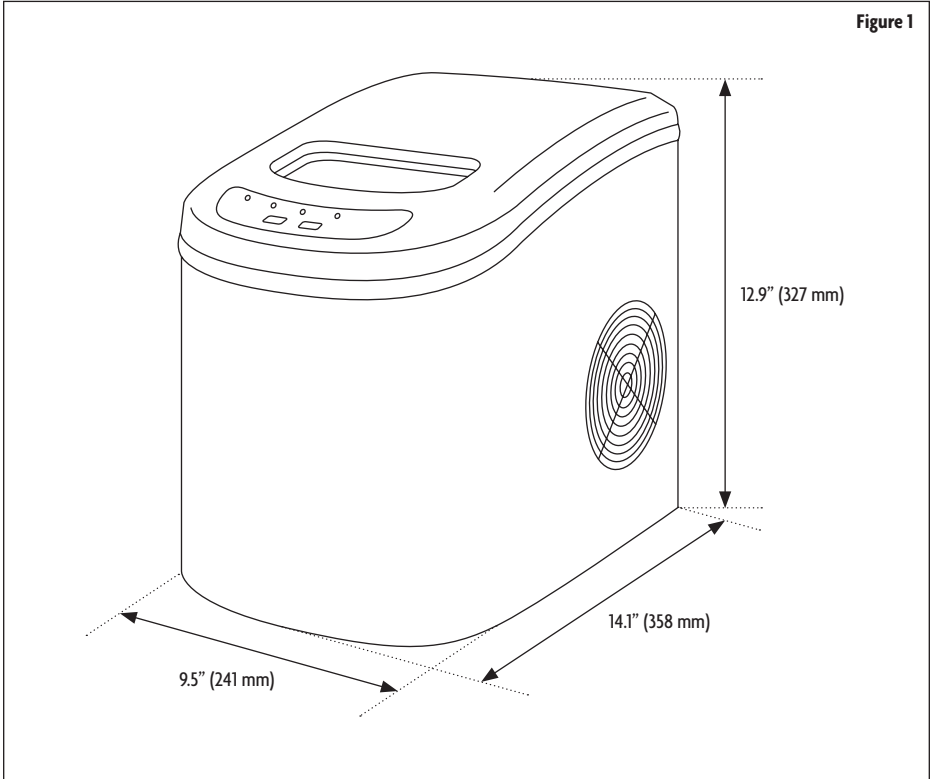
Lorsque vous utilisez des appareils électriques, des précautions de bases devraient être respectées pour réduire le risque de feu, de décharges électriques, de blessures ou de dommage à la propriété. Lisez toutes les instructions avant d'utiliser cet appareil.

- Ne pas utiliser cet appareil ou tout autre appareil avec un fil d'alimentation endommagé.
- Branchez uniquement dans une prise adéquatement installée. Aucun autre appareil ne devrait être branché sur la même prise. Assurez-vous que la fiche est complètement insérée dans la prise.
- Ne pas passer le fil d'alimentation sur un tapis ou tout autre isolant thermique. Ne pas couvrir le fil d'alimentation. Placer le fil dans un endroit peu passant et ne pas le submerger dans l'eau.
- Nous ne recommandons pas l'utilisation d'une extension électrique puisqu'elle pourrait surchauffer et devenir un danger d'incendie. Si vous devez utiliser une extension électrique, utilisez-en une d'un minimum de 14 AWG et d'au moins 1875 watts.
- Débranchez la machine à glace avant le nettoyage ou la réparation de pièces.
- Faites attention et supervisez raisonnablement les enfants lorsqu'ils sont près de l'appareil.
- Ne pas nettoyer votre machine à glace avec des liquides inflammables. Les vapeurs peuvent présenter un risque de feu ou d'explosion.
- Ne pas basculer.
- Si la machine à glace est apportée à l'intérieur depuis l'extérieur en hiver, laissez passer quelques heures pour qu'elle atteigne la température de la pièce avant de la brancher.

**LISEZ ET SUIVEZ ATTENTIVEMENT
CES INFORMATIONS DE SÉCURITÉ
CONSERVEZ CES INSTRUCTIONS**

SPÉCIFICATIONS

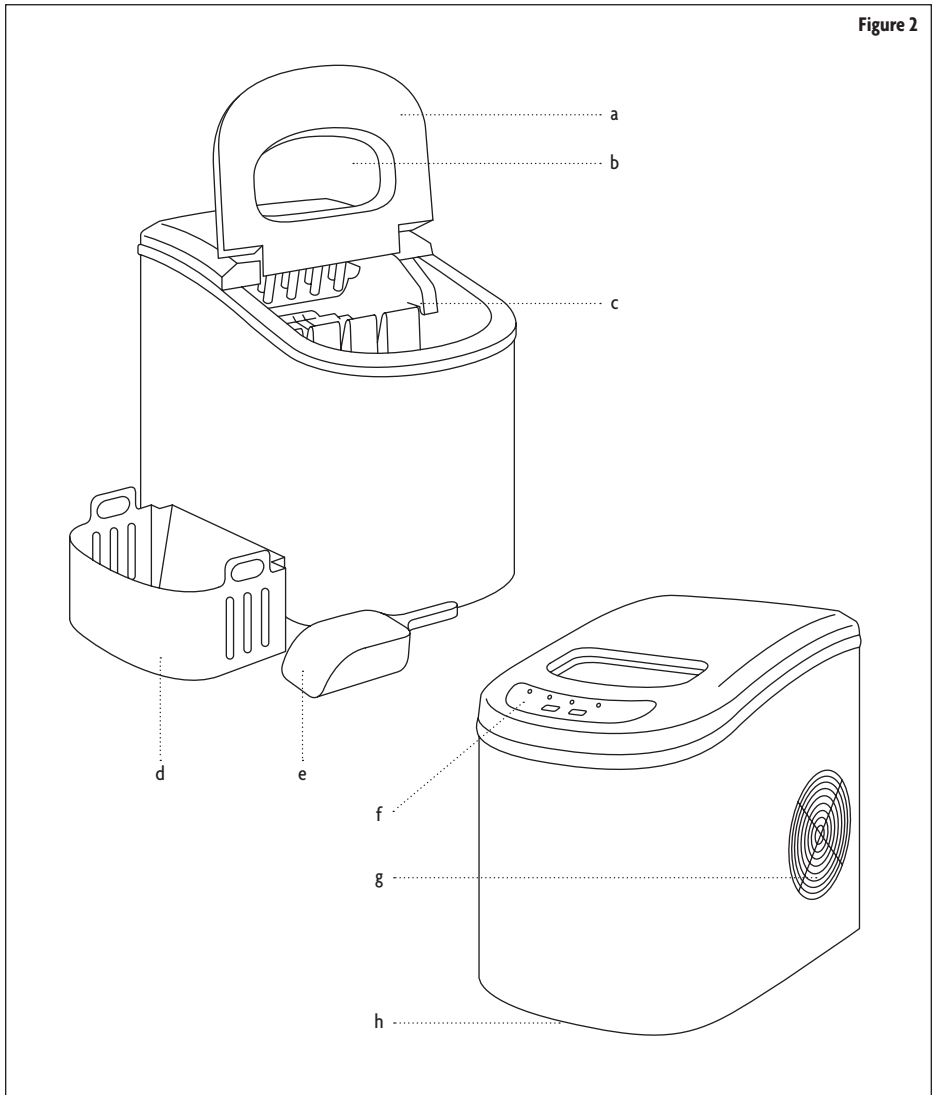
Figure 1



Dimensions (H x L x l)	9.5" x 12.9" x 14.1" (241 mm x 327 mm x 358 mm)
Peso	17.8 lbs (8.0 kg)
Capacité de production	Jusqu'à 12.2 kg (27 lb) par jour

PIÈCES ET CARACTÉRISTIQUES

Figure 2



- a. Couverture
- b. Vitre transparente (permet de voir l'intérieur)
- c. Capteur de remplissage
- d. Panier à glace
- e. Pelle à glace
- f. Panneau de contrôle
- g. Bouche d'aération
- h. Couverture du drain (en avant sous l'appareil)
- i. Niveau maximal d'eau
(n'apparaît pas sur l'image de l'appareil ci-dessus. Vous pouvez voir la marque du niveau d'eau lorsque le panier à glace est absent.)

INSTRUCTIONS D'INSTALLATION

DÉSEMBALLAGE DE LA MACHINE À GLACE

1. Enlevez l'emballage extérieur et intérieur. Assurez-vous que le panier à glace et la pelle à glace sont présents. S'il manque une pièce ou un accessoire, veuillez contacter le service à la clientèle.
2. Lavez l'intérieur avec de l'eau tiède et un linge doux. Enlevez le panier à glace et lavez-le à l'eau chaude.
3. Trouvez un emplacement qui sera à l'abri de la lumière directe du soleil et d'autres sources de chaleur (p.e: four, fournaise, plinthe) pour installer votre machine à glace. Placez la machine à glace sur une surface à niveau. Assurez-vous de laisser au moins 13 cm entre l'arrière de l'appareil et le mur.
4. Attendez au moins une heure pour que le réfrigérant se replace avant de brancher l'appareil.
5. L'appareil doit être placé de manière à ce que la prise soit accessible.

BRANCHEZ VOTRE MACHINE À GLACE

▲ DANGER: Une mauvaise utilisation de la fiche avec une mise à la terre peut occasionner un risque de décharges électriques. Si le fil d'alimentation est endommagé, veuillez contacter le service à la clientèle au 888-775-0202.

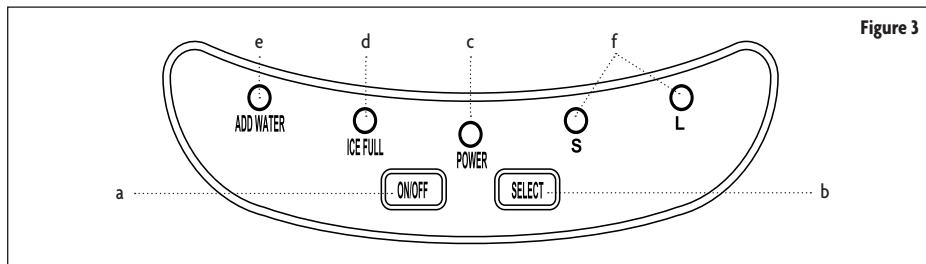
1. L'appareil devrait être mis à la terre pour votre sécurité. Le fil d'alimentation de l'appareil est équipé d'une fiche à trois broches qui s'insèrent dans une prise électrique standard à trois trous pour minimiser le risque de décharges électriques.
2. Branchez votre appareil dans une prise dédiée, adéquatement installée et mise à la terre. NE PAS, en aucune circonstance, couper et retirer la troisième broche (mise à la terre) du fil d'alimentation. Toutes questions portant sur l'électricité et/ou la mise à la terre devraient être adressées à un électricien certifié.
3. Cet appareil nécessite une prise électrique standard avec mise à la terre de 115V- / 60Hz.

▲ REMARQUE: Avant d'utiliser votre machine à glace, il est fortement recommandé de le nettoyer complètement.

▲ AVERTISSEMENT: La machine à glace n'est pas conçue pour être installée à l'extérieur tel que dans un garage ou sous le porche. Une température ambiante de moins de 10°C ou de plus de 38°C affectera le fonctionnement de l'appareil.

INSTRUCTIONS D'UTILISATION

PANNEAU DE CONTRÔLE



- | | | |
|---|----------------------------------|--|
| a. Interrupteur principal de l'appareil | c. Afficheur de tension | e. Indicateur de manque d'eau |
| b. Bouton de sélection de taille des cubes de glace | d. Indicateur de pleine capacité | f. Taille de cube choisie : Petit ou grand |

AVANT L'UTILISATION

- Avant de bancher l'appareil, laissez l'appareil debout pendant 1 heure pour réduire le risque de mauvais fonctionnement du système de refroidissement dû à une mauvaise manutention.
- Nettoyez complètement l'appareil avant de l'utiliser. (Référez-vous à «Soin et entretien».)
- Utilisez le diagramme des pièces à la page 6 pour vous assurer du bon positionnement des composantes internes.

UTILISATION DE VOTRE MACHINE À GLACE

1. Lavez complètement votre machine à glace.
2. Ouvrez le couvercle, enlevez le panier à glace et versez de l'eau du robinet dans le réservoir. Ne dépassez pas la marque de niveau d'eau.
3. Branchez l'appareil et l'indicateur de tension clignotera.
4. Appuyez sur «Power» sur le panneau de contrôle pour démarrer le cycle de création de glace. L'indicateur de tension s'illuminera.
5. Choisissez la taille des cubes de glace en appuyant sur le bouton «Select». Si la température ambiante est en dessous de 15°C il est recommandé de choisir des petits cubes pour éviter que la glace ne colle.
6. Lorsque la machine à glace fonctionne, vérifiez le niveau d'eau périodiquement. Si la pompe à eau ne peut injecter de l'eau, la machine à glace s'arrêtera automatiquement et l'indicateur «Water» s'illuminera. Appuyez sur le bouton «Power», remplissez jusqu'à la marque maximale et appuyez sur le bouton «Power» de nouveau. Attendez 3 minutes que le réfrigérant se replace avant de redémarrer.
7. La machine à glace arrête automatiquement de fonctionner lorsque le panier à glace est plein et l'indicateur «Ice Full» s'illumine.

▲ AVERTISSEMENT: La lumière directe ou indirecte du soleil peut affecter le fonctionnement du capteur infrarouge. Si l'appareil n'arrête pas de produire de la glace, même lorsque le panier est plein, déplacez l'appareil dans un endroit sans soleil.

Changez l'eau dans le réservoir d'eau toutes les 24 heures pour assurer un niveau d'hygiène raisonnable. Si l'appareil n'est pas utilisé, videz l'eau du réservoir.

SOIN ET ENTRETIEN

COMMENT NETTOYER

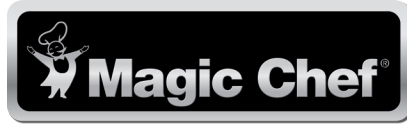
1. Enlevez le panier à glace.
2. Enlevez le bouchon du drain en dessous de l'avant de l'appareil pour vider l'eau.
3. Nettoyez l'intérieur avec du détergent dilué, de l'eau chaude et un linge doux.
4. L'extérieur de la machine à glace devrait être nettoyé régulièrement avec un détergent doux et de l'eau chaude.
5. Séchez l'intérieur et l'extérieur avec un linge doux.
6. Remplacez le bouchon du drain.
7. Lorsque l'appareil n'est pas utilisé, enlevez le couvercle du drain et videz complètement le réservoir d'eau.

SOIN ET ENTRETIEN

- La machine à glace devrait être nettoyée régulièrement.
- Il est nécessaire d'avoir une ventilation adéquate autour de la machine à glace pour maintenir son fonctionnement, la dissipation de la chaleur, maintenir son efficacité et sa faible consommation d'énergie. Un espace d'au moins 13 centimètres devrait être gardé à l'arrière et sur les côtés de l'appareil et 20 centimètres au-dessus de l'appareil.
- Pour une performance optimale, assurez-vous de brancher l'appareil dans une prise avec mise à la terre de 115 V / 60 Hz.
- En aucun cas vous ne devez modifier le fil d'alimentation pour que l'appareil puisse être branché dans une prise sans mise à la terre. Pour éviter les dommages causés par la chaleur au fil d'alimentation, assurez-vous qu'il ne soit pas en contact ou à proximité du compresseur de la machine à glace.
- Veillez à éviter de placer la machine à glace près d'un endroit où l'appareil sera en contact avec de l'eau ou de l'humidité pour minimiser la rouille sur les pièces métalliques.
- La machine à glace ne devrait pas être placée près d'une source de chaleur ou dans un endroit où elle sera en contact avec la lumière du soleil.

DÉPANNAGE

Problème	Cause probable	Solution
L'indicateur «Add Water» s'illumine.	Manque d'eau.	Arrêtez la machine à eau, remplissez d'eau et appuyez sur le bouton «Power» avant de redémarrer l'appareil.
L'indicateur «Ice» s'illumine.	Le panier à glace est plein.	Enlevez la glace dans le panier à glace ou appuyez pendant 5 secondes sur le bouton «Select». L'appareil peut produire de la glace pendant 10 cycles pendant que l'indicateur «Ice» s'illumine.
Les indicateurs «Water» et «Ice» sont illuminés.	La pelle à glace est coincée.	Assurez-vous que la glace ne bloque pas la pelle à glace, sinon contactez un technicien certifié.
Les cubes de glace sont collés ensemble.	Le cycle de production de glace est trop long.	Arrêtez la machine à glace et recommencez-la lorsque la glace est fondue. Choisissez la petite taille de cube de glace.
	La température dans le réservoir est trop basse.	Changez l'eau du réservoir. Utilisez de l'eau entre 7°C-32°C.
	Laisser la glace dans l'appareil pendant une longue période de temps, l'appareil peut recycler la glace en faisant fondre la glace pour en faire d'autres.	Transférez la glace dans un autre contenant et entreposez-la dans une glacière ou un congélateur pour éviter le recyclage.
Les cubes de glace fondent.	Laisser la glace dans l'appareil pendant une longue période de temps, l'appareil peut recycler la glace en faisant fondre la glace pour en faire d'autres.	Après une période de temps, transférez la glace dans un autre contenant et entreposez-la dans une glacière ou un congélateur pour éviter le recyclage.
Le cycle de production de glace est normal, mais aucune glace n'est produite.	La température ambiante ou la température de l'eau dans le réservoir est trop élevée.	Utilisez la machine à glace dans un environnement de moins de 32°C et utilisez de l'eau froide.
	Fuite du liquide réfrigérant.	Contactez un technicien qualifié.
	Des tuyaux dans le système de refroidissement sont bloqués.	Contactez un technicien qualifié.



GARANTIE LIMITÉE

MC appliance corporation garantit que toutes les nouvelles Machine à glace ne présentent aucun défaut matériel ou de main-d'oeuvre et accepte de remédier à ces défauts ou de fournir des nouvelles pièce(s), à la discrétion de la compagnie, pour toute pièce(s) de l'appareil qui fait défaut durant la période de garantie. Les pièces et la main-d'oeuvre de cet appareil sont garanties pendant une période d'un an depuis la date d'achat. Une copie avec la date du reçu de vente ou de la facture est nécessaire pour recevoir un remplacement, un remboursement ou la réparation sous garantie.

Cette garantie s'applique aux appareils utilisés aux États-Unis contigus, Alaska, Hawaii et Puerto Rico. Cette garantie ne s'applique pas aux cas suivants :

- Les dommages causés par la manutention ou une mauvaise installation.
- Les dommages dus à une mauvaise utilisation ou une utilisation abusive.
- La perte de contenu dû à une défaillance de l'appareil.
- Les réparations faites par un agent non autorisé.
- Les appels de services qui ne concernent pas les défauts de matériel ou de main-d'oeuvre comme des instructions sur l'installation appropriée de ce produit ou sa mauvaise installation.
- Le remplacement ou le réarmage d'un disjoncteur ou de fusibles.
- La défaillance du produit s'il est utilisé pour d'autres raisons que sa raison de conception.
- Les couts de récupération de tout appareil défectueux qui n'est pas renvoyé à l'usine.
- Tous les couts d'installation/de livraison encourus par un appareil qui ne fonctionne pas selon les spécifications.
- Les dépenses de transport ou manutention pour la réparation si votre produit est situé dans une zone éloignée où les services d'un technicien autorisé ne sont pas disponibles.
- Enlever ou réinstaller votre appareil s'il est installé dans un endroit inaccessible ou s'il n'est pas installé selon les instructions d'installation publiées.
- Les remboursements pour les produits non réparables se limitent au prix payé pour l'appareil sur le reçu de vente.
- Cette garantie n'est pas transférable. Cette garantie ne s'applique qu'à propriétaire original et ne s'étend pas au propriétaire(s) subséquent(s).

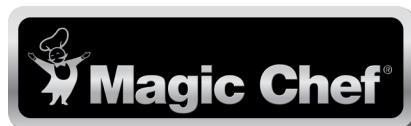
LIMITES DES RECOURS ET EXCLUSIONS:

La réparation du produit selon les termes ci-inclus est votre seul recours durant la garantie limitée. Toutes garanties implicites incluant la qualité marchande et la bonne condition pour une utilisation particulière sont, par la présente, limitées à un an ou la plus courte période permise par la loi. MC Appliance Corporation n'est pas responsable des dommages accidentels ou consécutifs et aucun représentant ou personne n'est autorisé à assumer en notre nom toute autre responsabilité en lien avec la vente de ce produit. En aucun cas le consommateur n'est-il autorisé à retourner cet appareil à l'usine sans autorisation préalable de MC Appliance Corporation.

Certains États interdisent les exclusions ou limites sur les dommages accidentels ou consécutifs ou les limites sur les garanties implicites. Cette garantie vous donne des droits légaux spécifiques et vous pourriez avoir d'autres droits qui peuvent varier d'un État à l'autre.

Modèle	Pièces	Main-d'oeuvre	Type de service
MCIM22RT	Un an	Un an	Retour

Pour de l'aide ou du service, veuillez appelez **888-775-0202** ou visitez notre site web au **www.mcpliance.com** pour demander une réparation sous garantie ou commander des pièces.



**CNA International, Inc. d/b/a MC Appliance Corporation. Tous droits réservés.
Le logotype Magic Chef® est une marque de commerciale de CNA International Inc.**

www.mcappliance.com

Imprimé en Chine