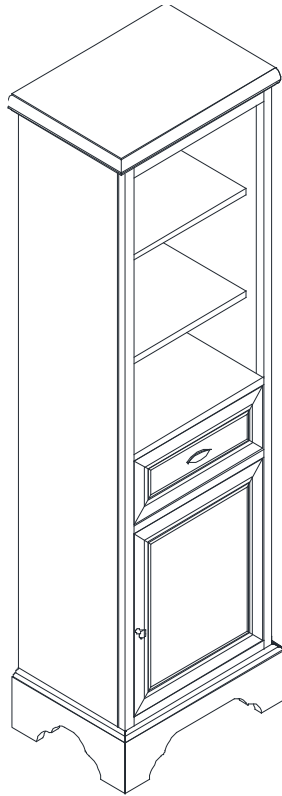


USE AND CARE GUIDE

SADIE BATH LINEN CABINET MADE IN VIETNAM



Questions, problems, missing parts? Before returning to the store,
call Home Decorators Collection Customer Service
8 a.m. - 7 p.m., EST, Monday - Friday, 9 a.m.- 6 p.m., EST, Saturday

1-800-986-3460

HOMEDEPOT.COM/HOMEDECORATORS

THANK YOU


We appreciate the trust and confidence you have placed in Home Decorators Collection through the purchase of this bath linen cabinet. We strive to continually create quality products designed to enhance your home. Visit us online to see our full line of products available for your home improvement needs. Thank you for choosing Home Decorators Collection!

Table of Contents

Table of Contents.....	2	Installation.....	5
Safety Information.....	2	Maintenance.....	7
Warranty.....	2	Care and Cleaning.....	7
Pre-installation.....	3	Troubleshooting.....	7
Planning Installation.....	3	Service Parts.....	8
Bath Linen Cabinet Dimensions.....	3		
Tools Required.....	3		
Hardware Included.....	4		
Package Contents.....	4		

Safety Information

- Please read and understand these instructions before attempting to assemble, install or use this product.

	WARNING: Handle with care. Do not drop or handle roughly as this will damage the floor cabinet.
---	--

Warranty

This warranty applies to the distributor bath linen cabinets installed for commercial and residential use. The distributor warrants that, when installed in accordance with the Recognized Plumbing Industry Practice, the bath linen cabinets are free of manufacturing defects for a period of one (1) year from the date of purchase.

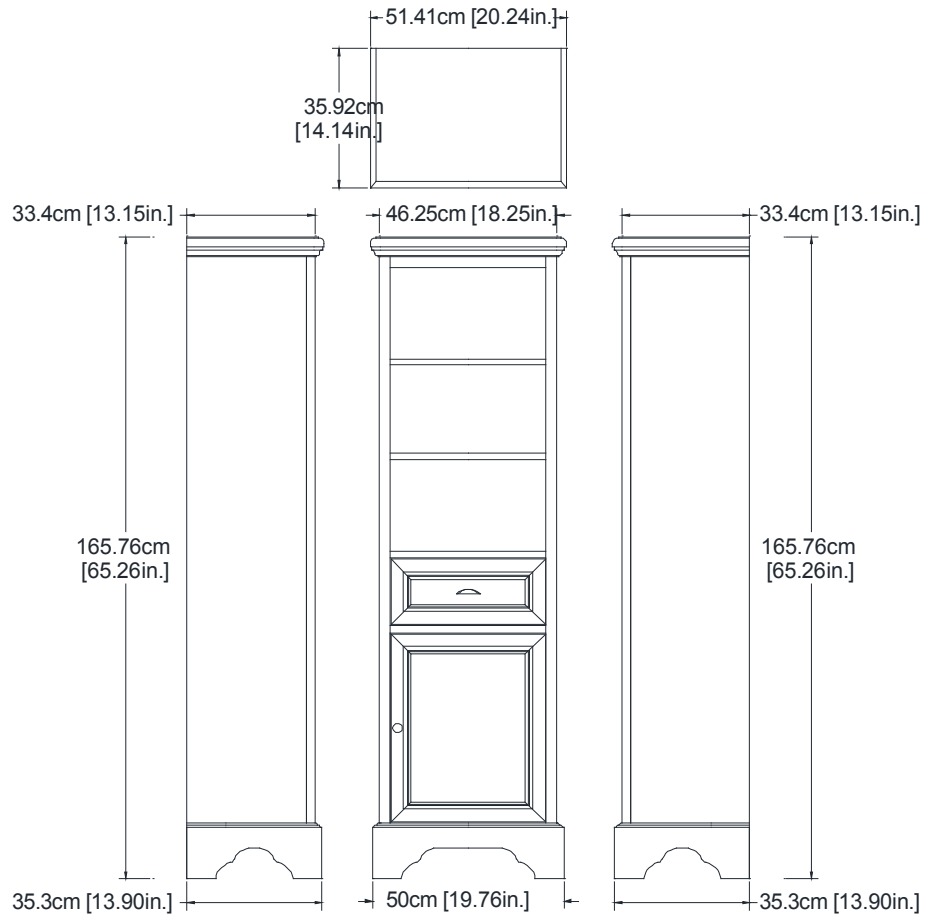
We guarantee your satisfaction with each bath linen cabinet. Should any bath linen cabinet not meet your satisfaction due to a visual defect, simply return it to your retailer with the original packaging, prior to installation, for a replacement. This warranty applies only to the original purchaser and installation site and is not transferable.

Pre-installation

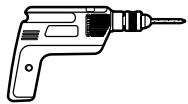
PLANNING INSTALLATION

Check the bath linen cabinet for damage before installation. If any part of the bath linen cabinet is missing or damaged, contact the Customer Service Team at 1-800-986-3460.

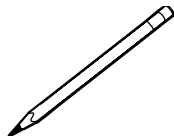
BATH LINEN CABINET DIMENSIONS



TOOLS REQUIRED



Drill



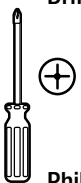
Pencil



Bit



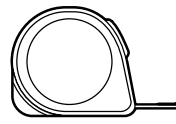
Safety Glasses



Phillips Screwdriver




Level

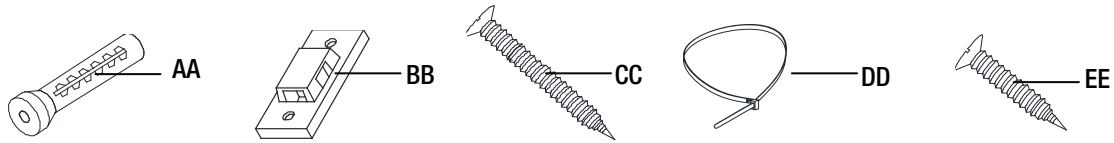


Tape Measure

Pre-Installation (continued)

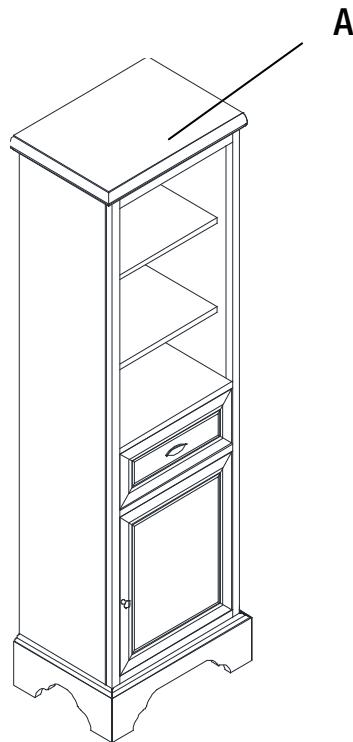
HARDWARE INCLUDED

 **NOTE:** Hardware not shown to actual size



Part	Description	Quantity
AA	Anchor	4
BB	Plastic bracket	4
CC	Screw	4
DD	Plastic rope	2
EE	Screw	4

PACKAGE CONTENTS

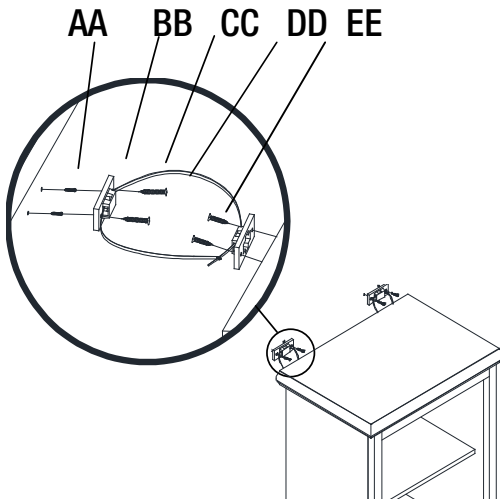


Part	Description	Quantity
A	Bath Linen Cabinet	1

Installation

1 Installing the Anti-tip hardware

- Use four screws (CC) to attach the plastic bracket (BB) to the anchor (AA) and secure to the desired location on the wall.
- Use the four screws (EE) to attach the plastic bracket (BB) to the top panel (AA) using the plastic rope (DD).
- Please ensure to install this hardware to prevent tip over.



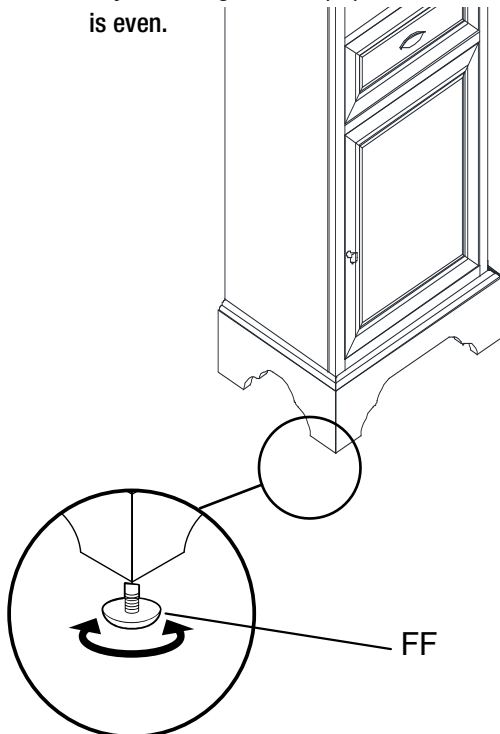
WARNING:

Serious or fatal crushing injuries can occur from furniture tip-over. To help prevent tip-over, install anti-tip hardware per instruction. To further reduce the risk of serious injury and death from tip-overs:

- Place heaviest items in the lowest compartments or drawers.
- Unless specifically designed to accommodate, do not set TVs or other heavy objects on the top of this product.
- Never allow children to climb or hang on drawers, doors or shelves.
- Never open more than one drawer at a time.
- Must be using anti-tip kit with cabinet during using

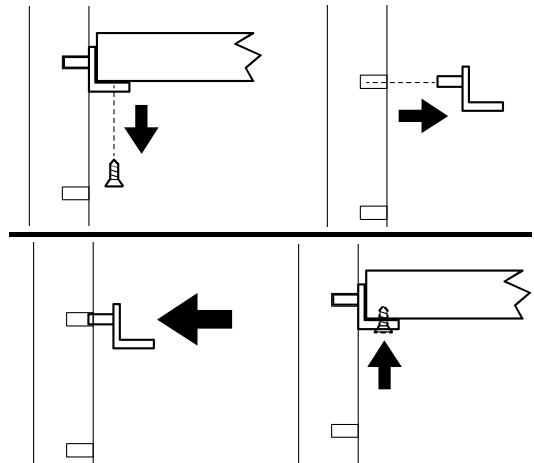
2 Adjusting the levelers

- Adjust the leg levelers (FF) to ensure that the linen cabinet is even.



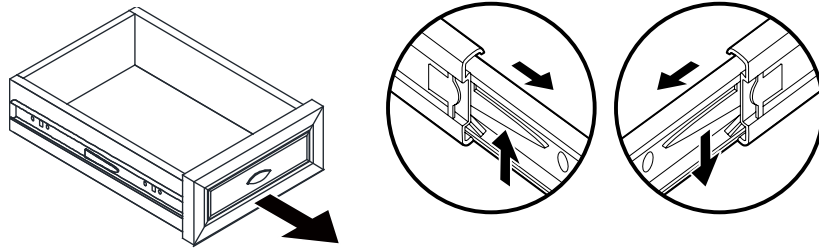
3 Adjusting the shelves

- Remove the shelf screws securing the shelf to the shelf bracket.
- Remove the shelf from the floor cabinet.
- Insert the shelf brackets into the desired holes. Ensure that all the shelf brackets are level.
- Gently insert the shelf into the vanity and secure it to the shelf brackets using the shelf screws.



4 Removing the drawers

- Open the drawer as far as possible.
- Simultaneously, press the right side spring clip downward and the left side spring clip upward.
- Once both spring clips are held in the indicated position pull the drawer straight out.



Maintenance

- In the event that your furniture is stained or otherwise damaged during use, we recommend that you call a professional to repair your furniture.
- Check bolts/screws periodically and tighten them if necessary.

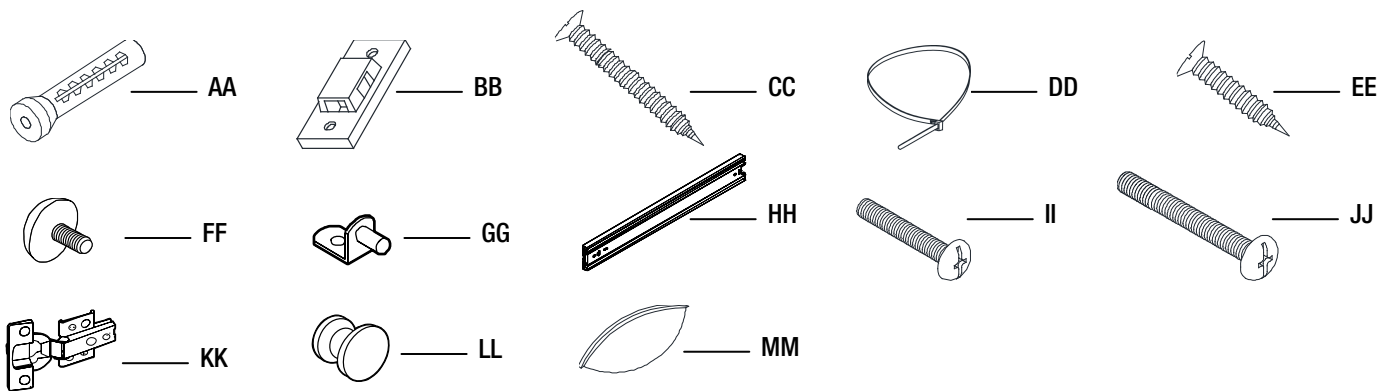
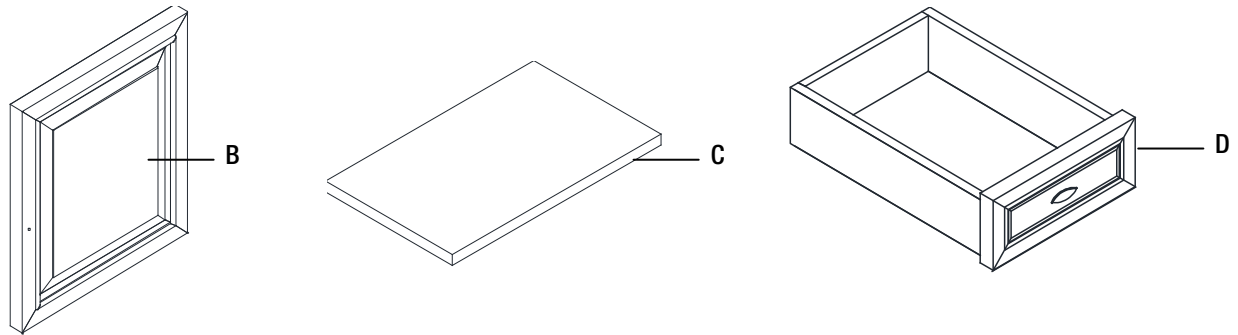
Care and Cleaning

- Use a soft, clean cloth that will not scratch the surface when dusting.
- Use of furniture polishes is not necessary. Should you choose to use polishes, test the polish in an inconspicuous area before using over the entire surface of the product.
- Using solvents of any kind on your furniture may damage the finish.
- Never use water to clean your furniture as it may cause damage to the finish.
- Always use coasters under beverage glasses and flowerpots.
- Liquid spills should be removed immediately. Use a soft and clean cloth to blot the spill gently. Avoid rubbing.
- Always use protective pads under hot dishes and plates. Heat can cause chemical changes that may create spotting within the furniture finish.
- Use care as stains or marks from crayons or ink markers will be difficult to remove.
- Be sure to immediately clean red wine or soda stains within 30 minutes or the surface will stain.

Troubleshooting

PROBLEM	POSSIBLE CAUSE	CORRECTIVE ACTION
The bath linen cabinet is tilted.	The levelers are not level.	Adjust the levelers to ensure they are level.

Service Parts



Part	Description	Quantity
B	Door	1
C	Adjustable shelf	3
D	Drawer	1

Part	Description	Quantity
AA	Anchor	4
BB	Plastic bracket	4
CC	Screw	4
DD	Plastic rope	2
EE	Screw	4
FF	Leveler	4
GG	Shelf pin	12
HH	Drawer slide	2
II	Screw for door knob	1
JJ	Screw for drawer knob	2
KK	Hinge	2
LL	Door knob	1
MM	Drawer knob	1

HOME DECORATORS COLLECTION

Questions, problems, missing parts? Before returning to the store, call
Home Decorators Collection Customer Service
8 a.m. - 7 p.m., EST, Monday - Friday, 9 a.m.- 6 p.m., EST, Saturday

1-800-986-3460

HOMEDEPOT.COM/HOMEDECORATORS

Retain this manual for future use.

IMPORTANT HEALTH NOTICE

SOME OF THE BUILDING MATERIALS USED IN THIS HOME (OR THESE BUILDING MATERIALS) EMIT FORMALDEHYDE. EYE, NOSE, AND THROAT IRRITATION, HEADACHE, NAUSEA AND A VARIETY OF ASTHMA-LIKE SYMPTOMS, INCLUDING SHORTNESS OF BREATH, HAVE BEEN REPORTED AS A RESULT OF FORMALDEHYDE EXPOSURE. ELDERLY PERSONS AND YOUNG CHILDREN, AS WELL AS ANYONE WITH A HISTORY OF ASTHMA, ALLERGIES, OR LUNG PROBLEMS, MAY BE AT GREATER RISK. RESEARCH IS CONTINUING ON THE POSSIBLE LONG-TERM EFFECTS OF EXPOSURE TO FORMALDEHYDE.

REDUCED VENTILATION MAY ALLOW FORMALDEHYDE AND OTHER CONTAMINANTS TO ACCUMULATE IN THE INDOOR AIR. HIGH INDOOR TEMPERATURES AND HUMIDITY RAISE FORMALDEHYDE LEVELS, WHEN A HOME IS TO BE LOCATED IN AREAS SUBJECT TO EXTREME SUMMER TEMPERATURES. AN AIR-CONDITIONING SYSTEM CAN BE USED TO CONTROL INDOOR TEMPERATURE LEVELS. OTHER MEANS OF CONTROLLED MECHANICAL VENTILATION CAN BE USED TO REDUCE LEVELS OF FORMALDEHYDE AND OTHER INDOOR AIR CONTAMINANTS.

IF YOU HAVE ANY QUESTIONS REGARDING THE HEALTH EFFECTS OF FORMALDEHYDE CONSULT YOUR DOCTOR OR LOCAL HEALTH DEPARTMENT.