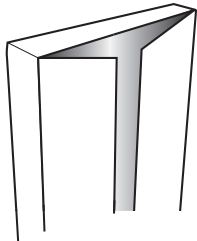


# Premium Security Screen Door Installation Instructions

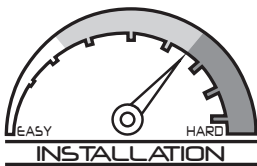


- Read completely through the installation instructions before proceeding with installation
- Installation requires two people
- Use appropriate protective equipment, including safety glasses
- Children should not be allowed in work area
- Failure to install door correctly could result in injury



## RETAIN PACKAGING DURING INSTALLATION

Do NOT discard packaging materials until installation is complete



## PROFESSIONAL INSTALLATION RECOMMENDED

Above average degree of difficulty. Requires installation experience.



[helpmeinstallit.com](http://helpmeinstallit.com)

## NEED HELP?

## REVIEW INSTALLATION VIDEO

Even professional installers will benefit from watching.



**1-866-317-8867**  
[support@uhdco.com](mailto:support@uhdco.com)

## CONTACT US BEFORE RETURNING

Customer service and technical support are available.  
Monday - Friday

## RECOMMENDED TOOLS



Safety Glasses



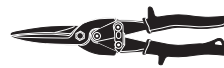
Measuring Tape



Pencil



Box Cutter



Tin Snips



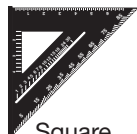
Drill Bits  
1/8", 5/32", 3/16"



Drill



Phillips-head (#2 & #3) &  
Flat-blade screwdriver



Square



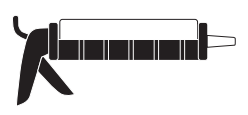
Hammer



Level



Wood Blocks (2"x4"x6")  
Shims



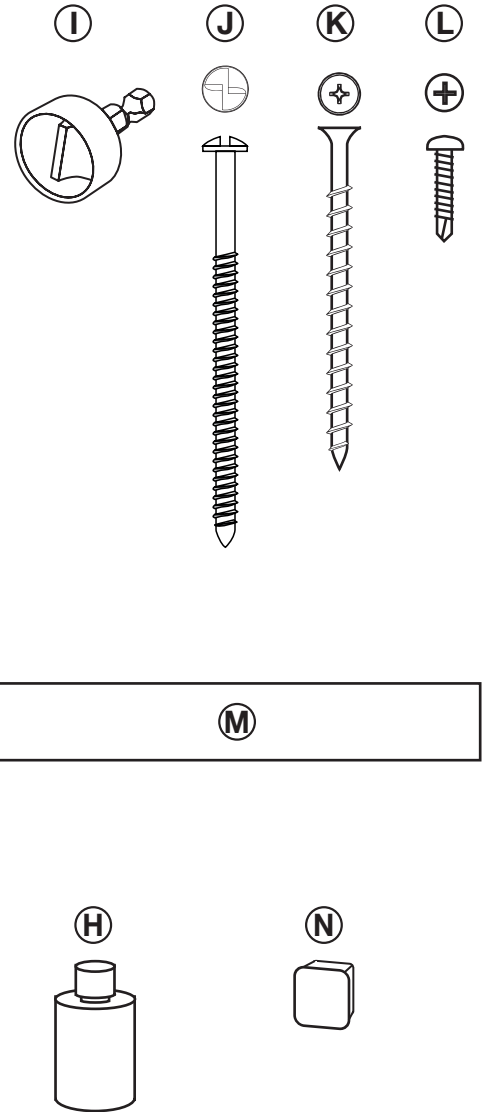
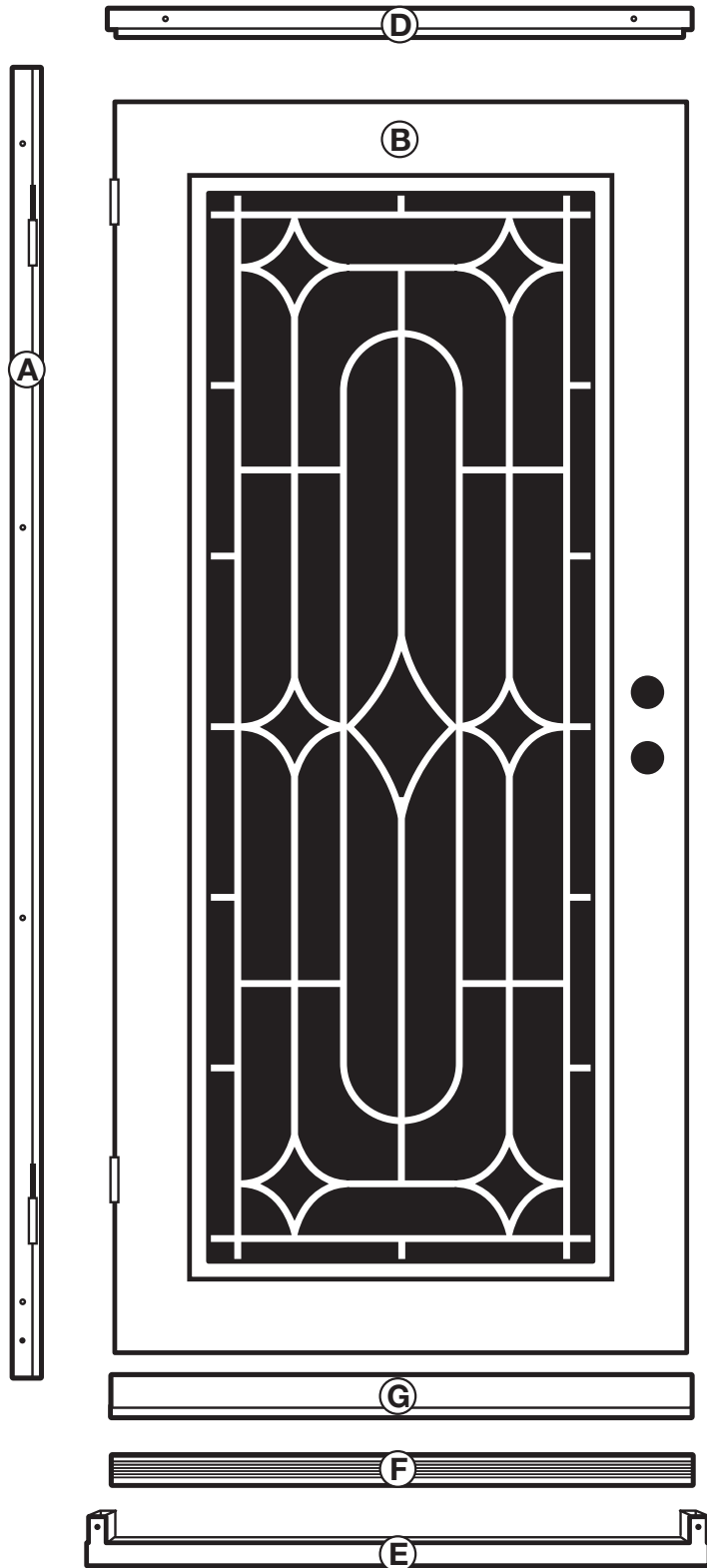
Paintable Caulk &  
Caulk Gun

## DOOR PARTS

- A) Hinge-side jamb
- B) Door slab
- C) Lock-side jamb
- D) Top header jamb
- E) Bottom bar
- F) Threshold plate
- G) Multi-blade bug sweep
- H) Touch-up paint
- I) One-way driver tool

## HARDWARE & FASTENERS

- J) 4" one-way screws (12)
- K) #10 x 3-1/2" drywall screws (2)
- L) #8 black screws (8)
- M) 6" x 36" cardboard template
- N) Top header jamb caps (2)



# 1 Determine the build out area

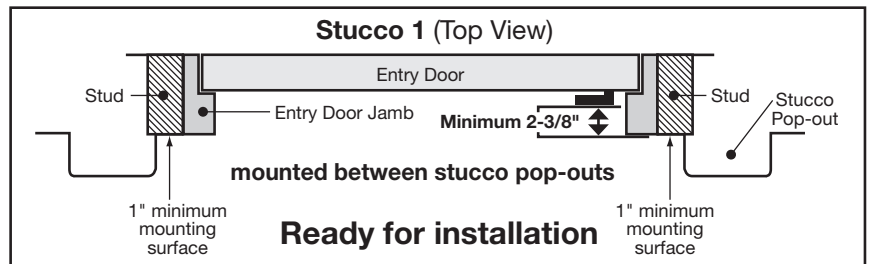
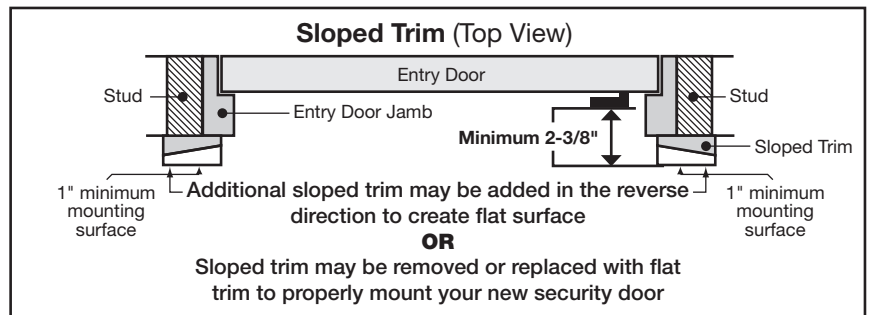
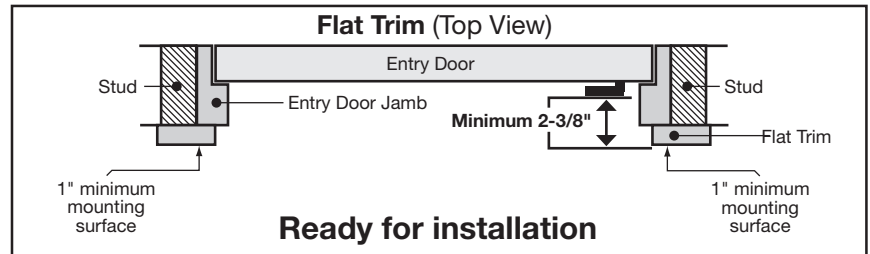
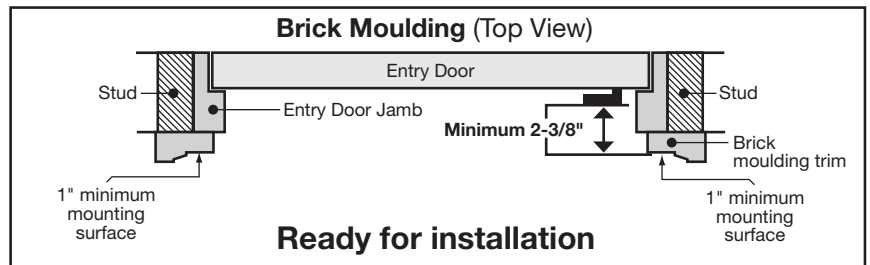
## Inspect Your Entryway for Obstructions

Check for any obstructions above and around your entryway that may prevent the outward swing of your new security door, and/or its installation, such as:

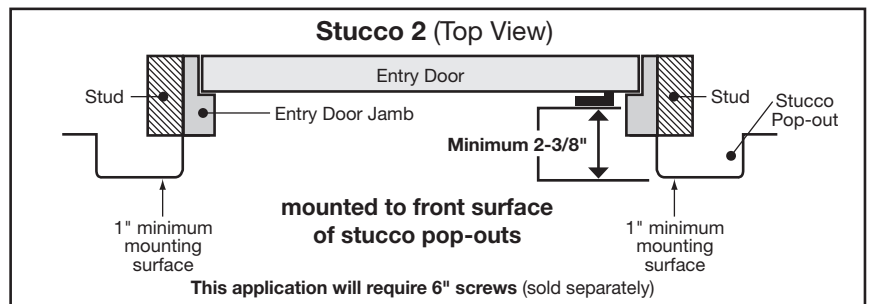
- Light fixtures
- Low overhang
- Door bell
- Trees, bushes, or hanging plants

## Determine Type and Readiness of Mounting Surface

Your security door will require a minimum mounting surface of 1" on the trim above, and on both sides of your entry door. Mounting screws must be secured to a stud in the wall. Review diagrams at right and determine which one most resembles the trim around the entry door to which you will mount your security door.

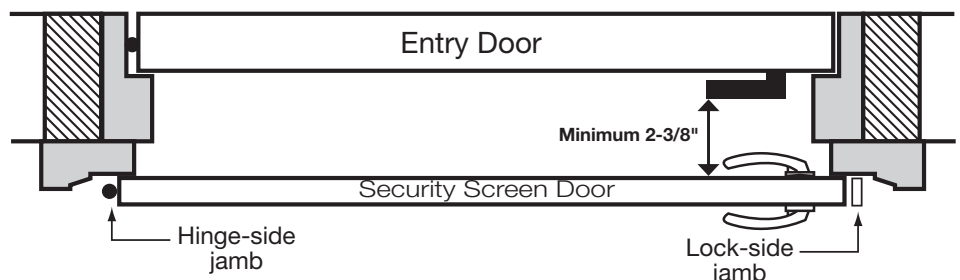


**CAUTION: Check closely for possible hardware interference!**



## Check for Hardware Interference

Measure the depth from the corner of your mounting surface to your existing entry door hardware. If this measurement is 2-3/8" or greater there is no potential for hardware interference. If the measurement is less than 2-3/8", measure from the edge of the mounting surface on top of the door to the top and bottom edge of the part of your existing hardware that intrudes into the 2-3/8" clearance. If either of these two measurements falls between 39-1/4" and 43-1/4", the security door and existing door hardware will interfere with each other. You can either build your mounting surface out to create the clearance required or mount your security door with an opposite swing to your main entry door. If there is less than 2-3/8" clearance between the surface of the main entry door and the security door mounting surface, a build out is required.



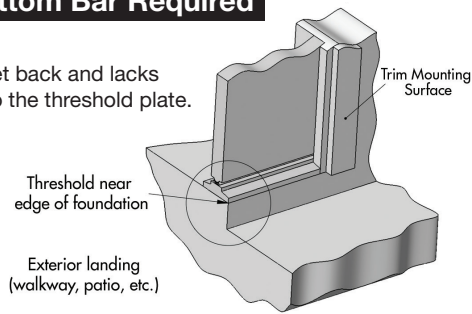
## 2 Determine the threshold configuration

Look at your existing entry door threshold and use the diagrams below to determine which threshold configuration best applies to your entryway. This will determine whether a bottom bar is or is not required for your security door.

### Bottom Bar Required



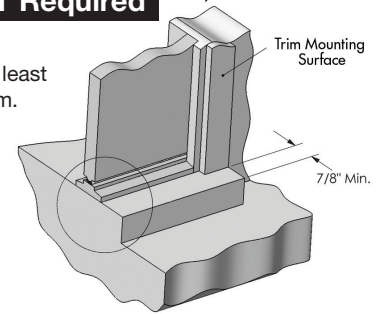
The concrete is set back and lacks space to mount to the threshold plate.



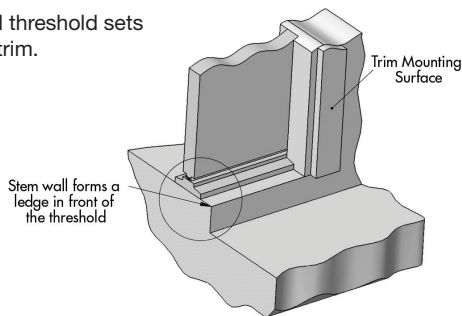
### Bottom Bar NOT Required



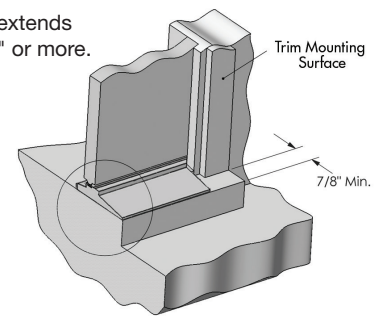
The concrete extends at least 7/8" further than your trim.



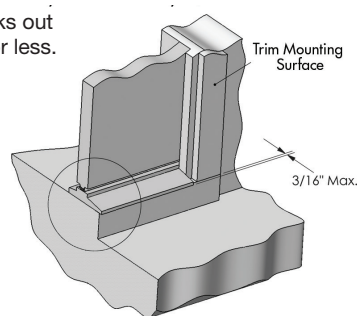
The concrete and threshold sets back behind the trim.



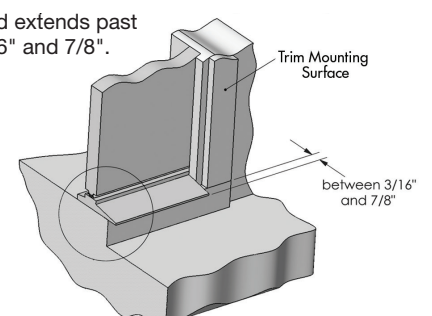
The existing threshold extends beyond the trim by 7/8" or more.



The existing threshold sticks out beyond the trim by 3/16" or less.



The existing threshold extends past the trim between 3/16" and 7/8".



## 3 Prepare the security door

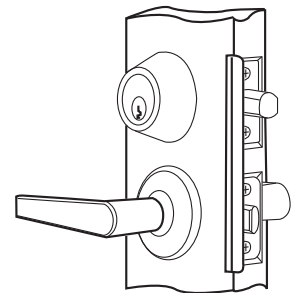
### Glass Removal

If your door includes glass, remove it before you start the installation procedure. Loosen (do not remove) each screw. Carefully hold the glass panel in place and rotate each clip 90°. Carefully remove the glass panel and store it in a safe place during installation.



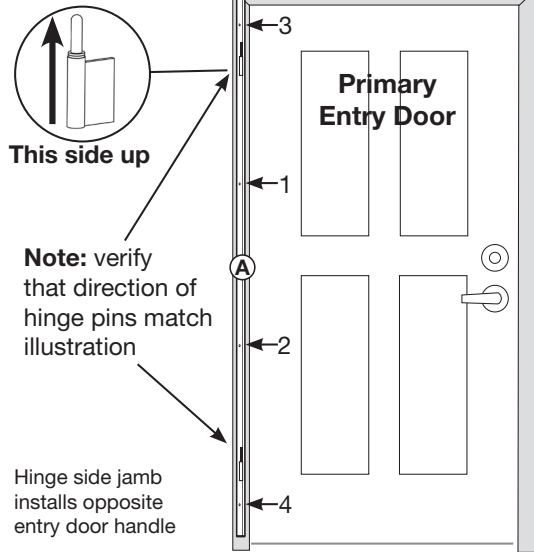
### Handleset Attachment

Following the manufacturer's instructions, install your choice of 2-3/8" backset handle and lock set (Sold separately). Fully extend the lock bolts into the "locked" position on the security door **(B)**.



## 4 Install the hinge-side jamb

### For Left Swing Door

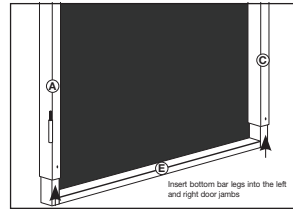
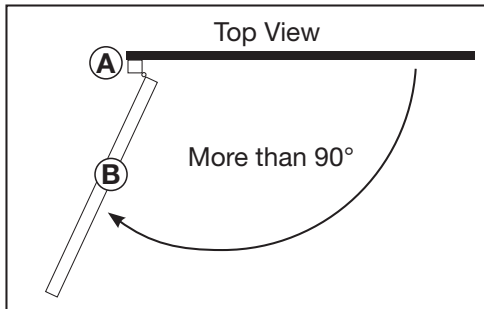
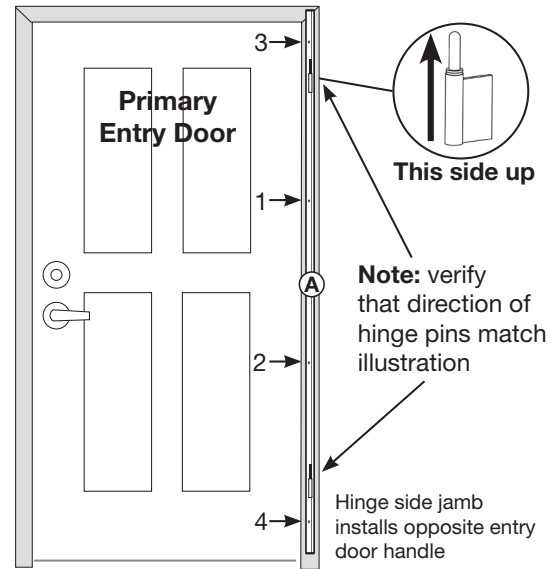


### Jamb mounting

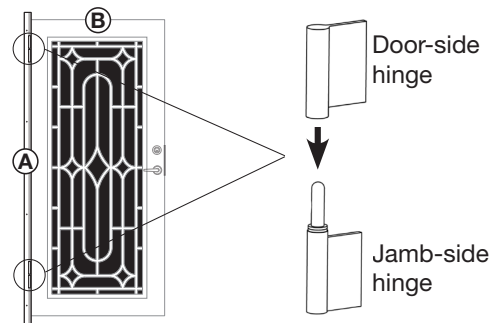
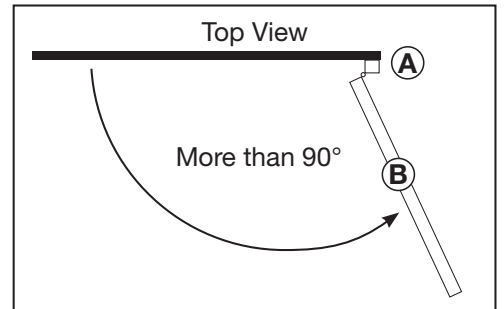
Position hinge-side jamb (A) on the desired side of the opening for your door swing. Allow for a 1/8" gap between the hinge-side edge of jamb and inside-edge of your mounting surface.

**Note:** There should be a minimum of 2-3/4" space below the hinge side jamb (A) and below the entire width of the door to allow space for the bottom bar (attached in **Step 7**). It is okay to move the doors up within the doorway to ensure this space, as long as the top of the jambs do not go beyond the top-edge of your trim framing. If a 2-3/4" space exists across the entire doorway, skip to the next paragraph. Otherwise, position bottom bar (E) on the ground in front of the doorway with the legs pointing up. Position the hinge-side jamb assembly (A) on the inactive side of the door, sliding the jamb over the bottom bar leg to correctly position the jamb. This alignment will be repeated for the active side jamb. See diagram below:

### For Right Swing Door

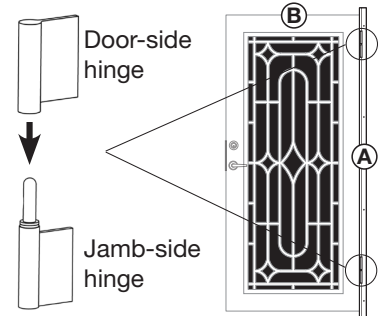


**Important:** All jambs must be positioned to allow secure mounting to your trim framing around the opening.



Make certain hinge-side jamb is plumb. Mark the location of the 1 & 2 mounting holes for hinge-side jamb, by inserting a screw through the jamb and either making a dent or scratching the mounting surface. Set the hinge-side jamb aside and, where marked, pre-drill the two holes, using a 3/16" drill bit.

**Support Jamb with temporary screws:** Return the hinge-side jamb to position, verify again that it is plumb, and install two of the #10 3-1/2" dry wall screws (K) supplied into holes 1 & 2 (see diagram at top left), and temporarily mount the hinge-side jamb (A). These screws are inserted only to hold the security door frame plumb while test fitting the door, and will be removed and replaced with one-way screws, later in this step.



### Hang the door to test fit:

Holding the door open at more than a 90° angle (see diagram at center left), hang the security door (B) onto the hinge pins of the hinge-side jamb (A), starting with the bottom pin first (see diagram at bottom left). Ensure that door is fully seated on hinges.

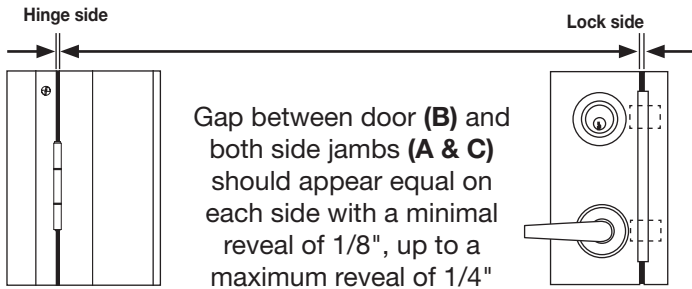
Place a level across the top of the door, to verify that the security door is level, then re-verify that the hinge-side jamb has remained plumb during the hanging of the security door. The door will be removed in **Step 7**, then reinstalled in **Step 9**. If the door is not plumb vertically and/or horizontally, remove door panel and re-position jamb.

### Secure Hinge-side Jamb with One-way Screws:

Pre-drill two 3/16" holes, 4" deep, into the entryway trim mounting surface, through holes 3 & 4 of the hinge-side jamb. Install two one-way screws (J) into holes 3 & 4, securing the jamb to the entryway trim, using your drill and the supplied one-way driver tool (I).

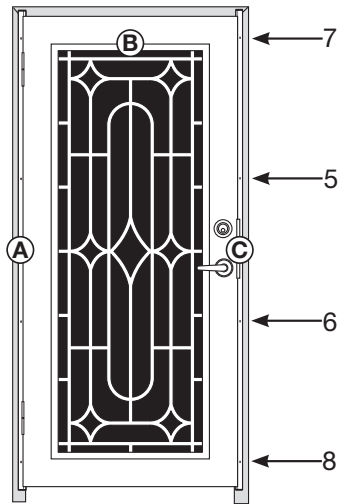
Remove the two #10 3-1/2" dry wall screws (K) previously installed into the hinge-side jamb (holes 1 & 2 in the diagram). Drill two 3/16" holes, 4" deep, into the entryway trim mounting surface, through holes 1 & 2. Install two one-way screws (J) into holes 1 & 2 using your drill and the supplied one-way driver tool (I).

## 5 Install the lock-side jamb



### Jamb Alignment

Align the lock holes, in the lock-side jamb (C), with the lock bolts extended. Maintain a space between door (B) and the lock-side jamb (C) equal or similar to the space between the door (B) and hinge-side jamb (A), from top to bottom. Make sure the lock-side jamb is plumb, then mark the location of mounting holes 5 & 6 of the jamb, by inserting a screw through the jamb and either making a dent or scratching the mounting surface. Set the lock-side jamb aside and, where marked, pre-drill the two holes, using a 3/16" drill bit.



### Temporary Screws

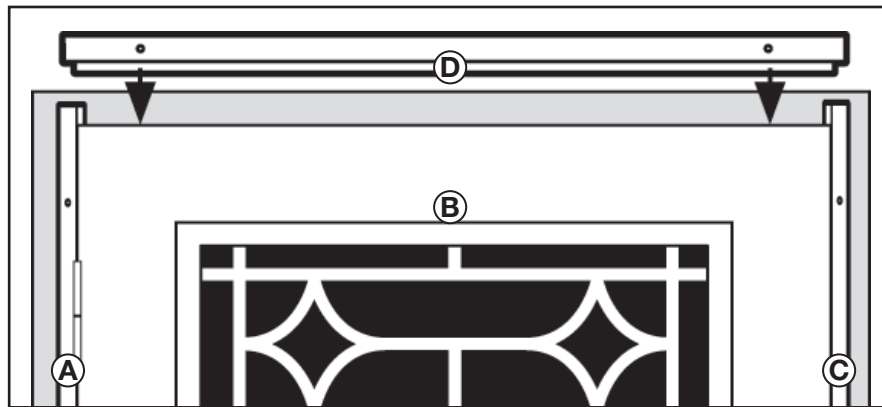
Return the lock-side jamb to position, verify again that it is plumb, and install two #10 3-1/2" dry wall screws (K) supplied into holes 5 & 6 (see diagram at left), and temporarily mount the lock-side jamb (C). These screws are inserted solely to temporarily hold the jamb plumb.

### Permanent Screws

Pre-drill two 3/16" holes, 4" deep, into the entryway trim mounting surface, through holes 7 & 8 of the lock-side jamb. Install two one-way screws (J) into holes 7 & 8, using your drill and the supplied one-way driver tool (I).

Remove the two #10 3-1/2" dry wall screws (K) previously installed into the lock-side jamb (holes 5 & 6 in the diagram). Pre-drill two 3/16" holes, 4" deep, into the entryway trim mounting surface through holes 5 & 6. Install two one-way screws (J) into holes 5 & 6 using your drill and the supplied one-way driver tool, being careful to insure that the jamb does not move and maintaining the 1/8" to 1/4" gap between the door and the jamb.

## 6 Install the top header jamb



Place the top head jamb (D) above the door (B) and between the two side jambs (A & C). Take care to make sure that a minimum of 1/8" reveal is consistent on both sides jambs (A & C) as well as on the top head jamb (D). Spacing should be equal from left to right and above the door. Mark the location of the mounting holes. Set the top head jamb (D) aside and, where marked, pre-drill 3/16" holes 4" inches deep. Return top head jamb to position and fasten to mounting surface using the provided one-way screws (J) and the supplied one-way driver tool (I).

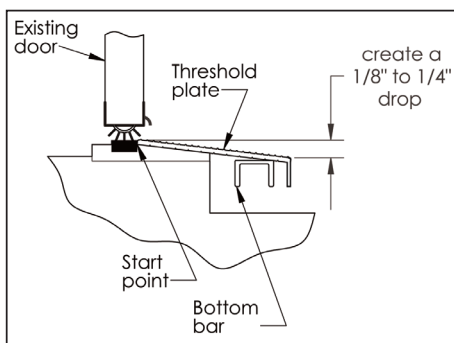
**Optional:** Caps (N) are included to help fully seal the top header jamb. Insert the caps into the top header jamb. **Note:** Caps may be snug. Place a wood block over each end cap and gently tap in with a hammer.

## 7 Install the bottom bar

**Note:** If you will **NOT** be installing the bottom bar as determined in **step 2**, discard the bottom bar and skip to **step 9**, otherwise, remove door from hinges and set aside.

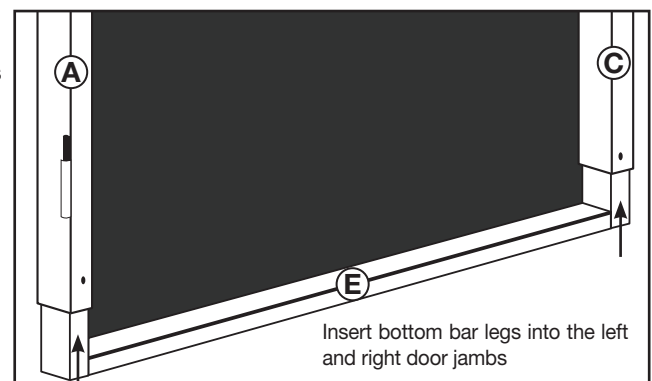
### Bottom Bar Placement

The bottom bar (E) will need to be installed 1/8" to 1/4" lower than the existing doorway so that there is a slope to the threshold. This allows any moisture to drain away from the door.



### Bottom Bar Installation

Insert bottom bar legs into the left and right door jambs. Adjust the bottom bar to the correct height. Install bottom bar (E) using two #8 self-tapping screws (L) as shown. Keep your drill on a low speed so the threads do not strip.

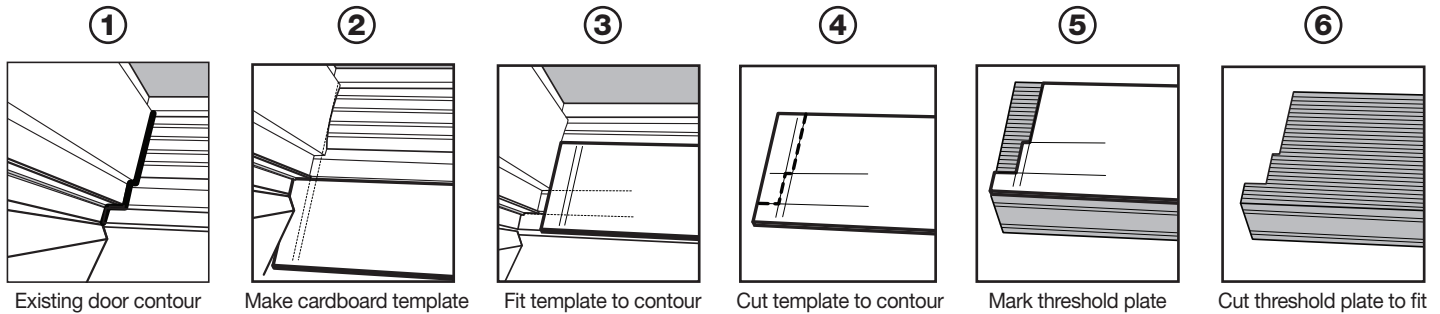


Insert bottom bar legs into the left and right door jambs

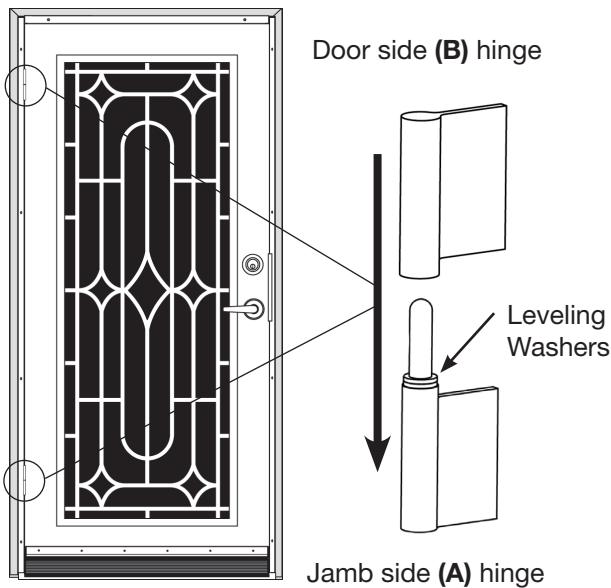


## 8 Install the threshold plate

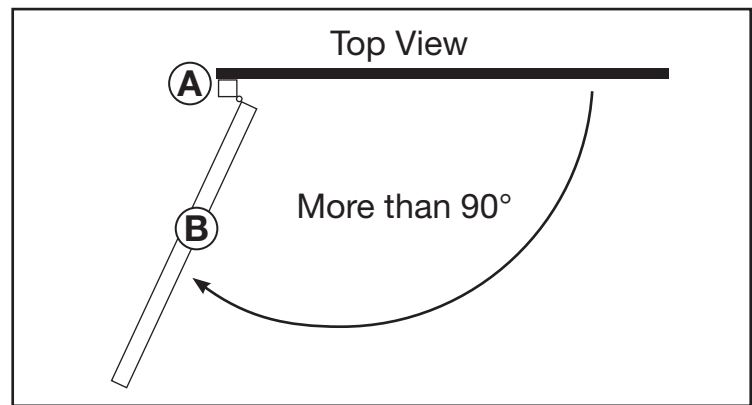
1. The contour of door framing varies, making it necessary to cut the threshold plate (**F**) to fit. We recommend cutting a cardboard template to fit the opening first, to avoid cutting the threshold plate incorrectly.
2. Lay provided cardboard template (**M**) on top of the bottom bar and push into existing threshold, as far as it will go. Using a straight edge, mark the template at the various widths of your existing moulding and trim at both ends.
3. Move template so that front edge is flush to the front edge of bottom bar (it is okay to bend template to allow to fit the shortest width between your moulding and trim). Mark at the various corners of your existing moulding and trim.
4. Using a box knife, cut template to shape of moulding and trim revealed by the markings. Test fit the template. (It should lay across the bottom bar, with the front edge flush to the front edge of the bottom bar, and fit in and around the corners of the existing moulding and trim.)
5. Once you have created a good template, use the template to mark the threshold plate.
6. Using tin snips/aviator snips, cut threshold plate to match the shape of the template (**6**). Position threshold plate to extend across the bottom bar and into the existing threshold. Use 1/8" drill bit to pre-drill holes for mounting screws. Attach threshold plate to existing threshold using the provided screws (**L**).



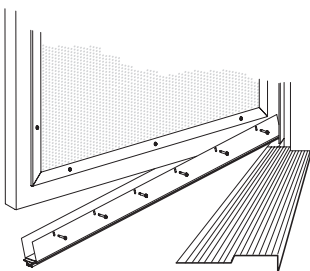
## 9 Install the door



Hang the security door (**B**) on the jamb hinges (**A**), holding the door open at more than a 90° angle (see diagram below), starting with the bottom pin first.



## 10 Install the bug sweep



Open the door. Slip the multi-blade bug sweep (**G**) onto the bottom of the door. Hold sweep in place and close the door. Allow the sweep to fall and sit resting on the threshold plate (**F**). **Note:** Be sure there is not a gap between the sweep and the threshold plate and that the sweep is centered on the bottom of the door. Use a 1/8" drill bit to pre-drill the two outer holes for mounting screws. Using the screws provided (**L**), attach the sweep to the bottom of the door through the two outer holes. Test that the door opens and closes freely. If not, loosen the screws and make necessary adjustments. Retighten screws and test again. Repeat until successful. Pre-drill remaining holes and install the rest of the provided screws (**L**).

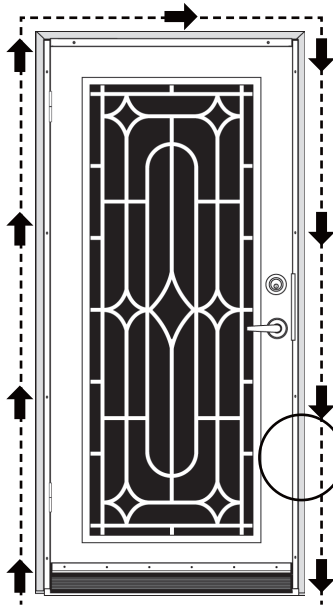
## 11 Install the Door Closer and Wind Chain (optional, purchased separately)



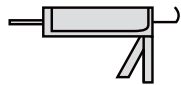
Follow the manufacturer's instructions included with the wind chain and door closer to install on your new security door.

**Note:** It is not required to use a wind chain and door closer for your security door.

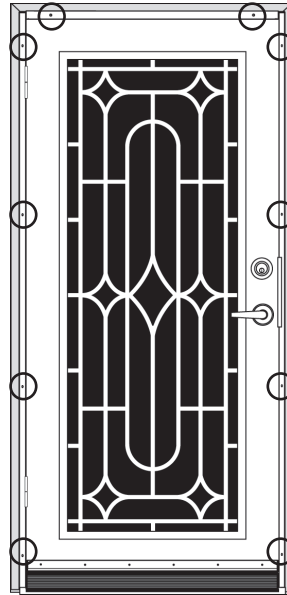
## Touch up and lubricate



**Caulk (not included)**  
Caulk around the outside of the security door jamb frame, using paintable caulk, and paint to the desired color.



Paintable caulk & gun



### Touch-Up Paint

Shake the supplied touch-up paint (**H**) vigorously for 2 minutes and paint the heads of the one-way screws as indicated in the diagram.

### White Grease Lubricant (not included)

Use white grease to lubricate the hinges of your new security door every six months.

## Warranty

Your Unique Home Designs Premium Security Screen door is warranted for residential installations against manufacturer defects under normal use for as long as you own your UHD product, and terminates if you sell or otherwise transfer the product or the property upon which it was installed. The Powder Coat Finish is warranted for five years from date of purchase. All other components of the product, including sunscreen material, bug sweeps, weather-stripping, and composite materials are covered for one year from date of purchase. On security screen doors equipped with the Meshtec Advanced Screen System, the screen material is warranted against manufacturer defects under normal, residential use for the first 10 years you own the product and terminates if you sell or otherwise transfer the product or the property on which it was installed. If the door breaks or structural defects occur, Unique Home Designs will, at our discretion, repair or replace the door. If your home is burglarized and entry was accomplished through a UHD security door, locked with a double dead bolt, UHD will pay your insurance deductible up to \$1000 or replace as applicable the damaged UHD security door at no charge (the "Home Protection Warranty"). Replacement items may vary in style due to changes in suppliers and product. Not all colors can be reproduced if colors have been discontinued. UHD is not responsible for any labor expense required to repair or replace the door. UHD is not responsible for securing the property while warranted items are being repaired or replaced. Cutting parts not specified by the installation guide or parts drilled incorrectly are not included in this warranty. Any problem caused by abuse, misuse, failure to maintain warranted item properly, adjustments due to settling of the structure that the product is mounted on, or acts of God, are not covered.

To make a claim under this Warranty, send a brief written description of the problem, a picture of the claim, proof of purchase, and your contact information to: Unique Home Designs, 973 N. Colorado Street, Gilbert AZ. 85233 Attn: Warranty Claims



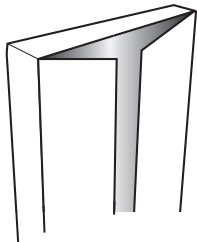
Monte de superficie

# Instalación de puertas *premium* de seguridad

UNIQUE  
HOME DESIGNS  
TITAN

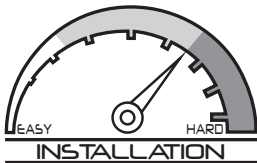


- Lee todas las instrucciones de instalación del kit antes de la instalación
- La instalación requiere de dos personas
- Usa el equipo de protección apropiado, incluyendo gafas de seguridad
- Mantén los niños alejados del área de trabajo
- Instalar incorrectamente la puerta puede causar lesiones



## CONSERVA EL EMPAQUE DURANTE LA INSTALACIÓN

NO deseches los materiales del empaque hasta que la instalación haya terminado.



## SE RECOMIENDA UNA INSTALACIÓN PROFESIONAL

Grado de dificultad por encima del promedio. Requiere experiencia en la instalación.



[helpmeinstallit.com](http://helpmeinstallit.com)

¿NECESITAS AYUDA?

## CONSULTA EL VIDEO DE INSTALACIÓN

Incluso los instaladores profesionales se benefician al verlo.



**1-866-317-8867**  
[support@uhdco.com](mailto:support@uhdco.com)

## CONTÁCTANOS ANTES DE DEVOLVERLO

Servicio al cliente y soporte técnico disponibles.

Lunes - Viernes

## HERRAMIENTAS RECOMENDADAS



Gafas de seguridad



Cinta de medir



Cortador de cajas



Broca  
1/8", 5/32", 3/16"  
tamaño mínimo: 4"



Taladro



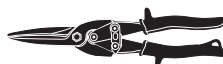
Alicates de punta de aguja



Plaza



Destornillador plano y de cabeza Phillips



Tijeras de hojalatero



Lápiz



Nivel



Hammer



Bloques de madera  
(5.1 cm x 10.2 cm x 15.2 cm)  
Cuñas



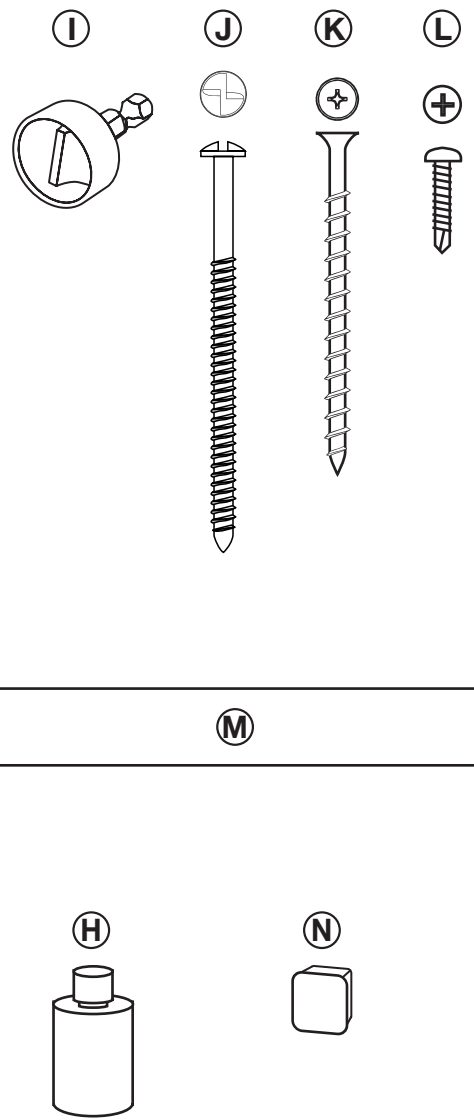
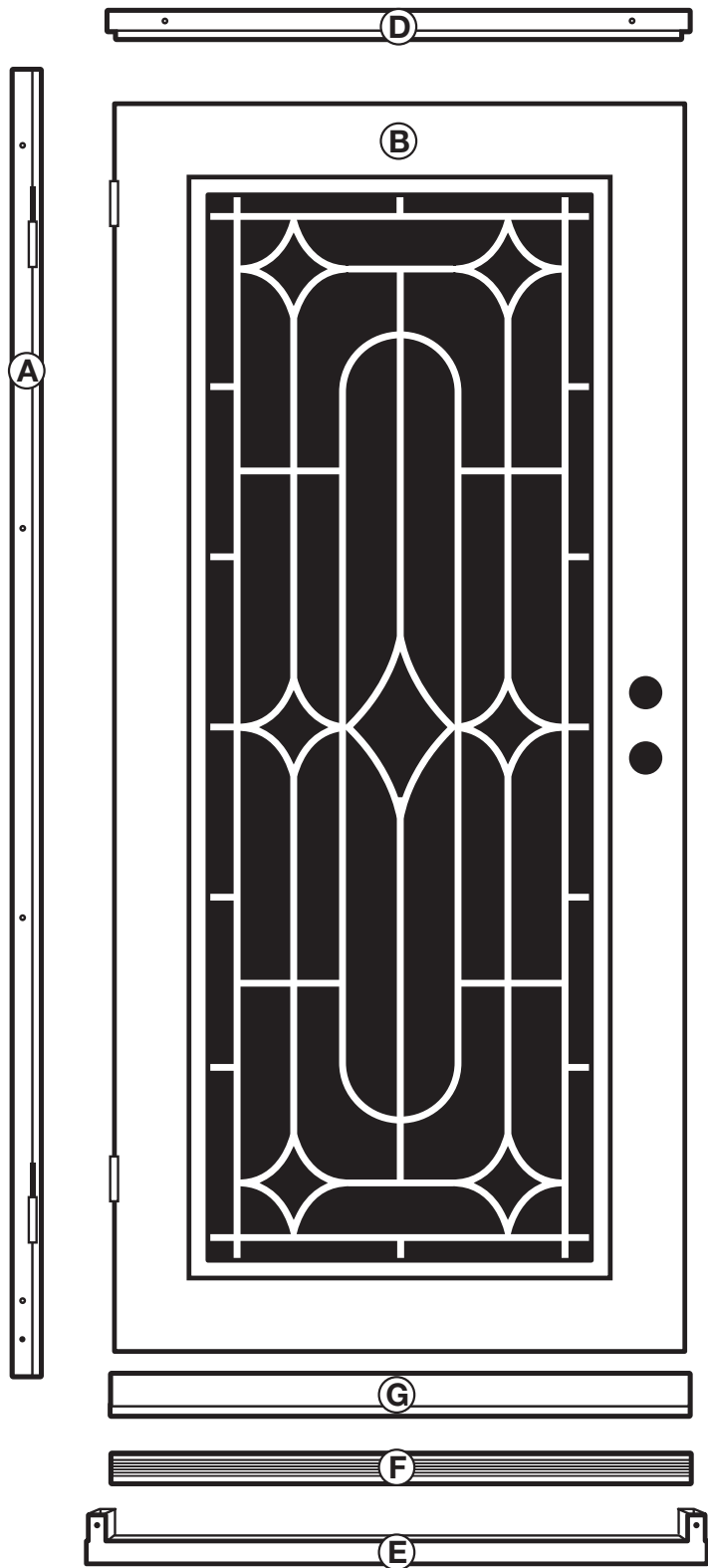
Pistola para pasta selladora y pasta selladora que se puede pintar

## PIEZAS DE LA PUERTA

- A) Jamba del lado de las bisagras
- B) Hoja de la Puerta
- C) Jamba del Lado de la cerradura
- D) Jamba del travesaño superior
- E) Barra inferior
- F) Placa del umbral
- G) Guardapolvo contra insectos, de aletas múltiples
- H) Pintura para retoques
- I) Herramienta de destornillador unidireccional

## HERRAJES Y SUJETADORES

- J) Tornillos unidireccionales de 4" (12)
- K) Tornillos para drywall núm. 10 de 3-1/2" (2)
- L) Tornillos núm. 8 (8)
- M) Plantilla del umbral de 6" x 36"
- N) Cabazal jamba del travesaño superior (2)



# 1 Definir el área de construcción

## Revisar si hay obstáculos en la entrada

Comprueba si arriba o alrededor de la entrada hay obstáculos que puedan impedir la instalación de la nueva puerta de seguridad o su abertura hacia afuera; obstáculos como:

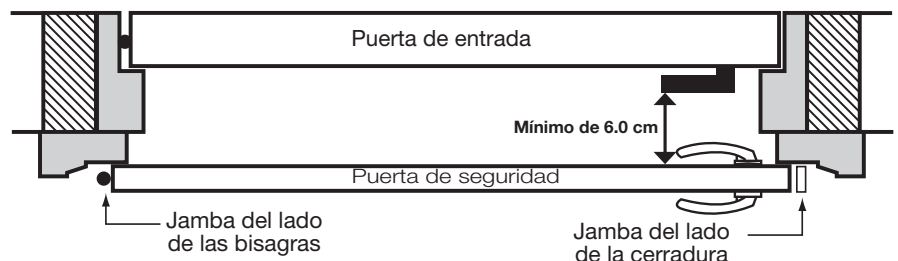
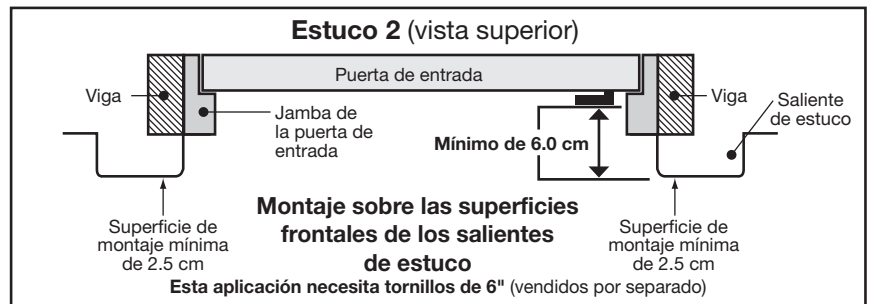
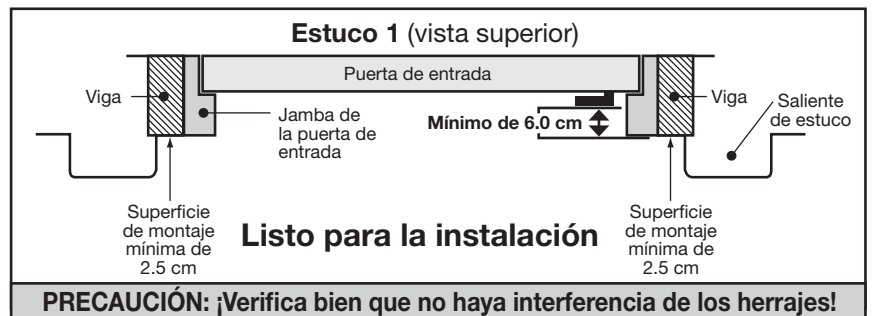
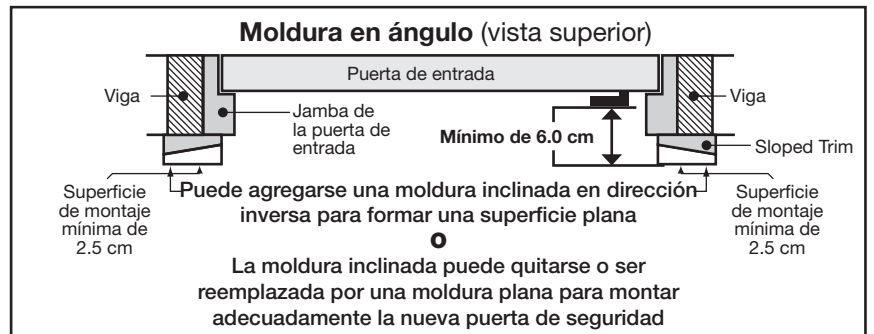
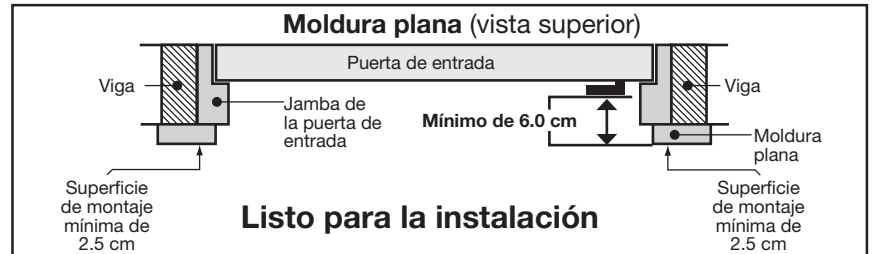
- Lámparas
- Salientes bajos
- Timbres
- Árboles, arbustos o plantas colgantes

## Determinar el tipo y el estado de la superficie de montaje

Tu nueva puerta de seguridad necesita una superficie de montaje de al menos 1" en el contramarco superior y en los dos lados de la puerta de entrada. Los tornillos de montaje deben fijarse a una viga en la pared. Ver las diagramas más abajo y determinar cuál se parece más al contramarco de la puerta de entrada donde montarás tu puerta de seguridad.

## Verifica que no haya interferencia de herrajes

Mide la profundidad desde la esquina de tu superficie de montaje hasta los herrajes de la puerta de entrada existente. Si la medida es de 6.0 cm o mayor, no habrá interferencia de herrajes. Si la medida es menor que 6.0 cm, mide desde el borde de la superficie de montaje en la parte superior de la puerta hasta el borde superior e inferior de la parte de los herrajes existentes que penetra en el espacio de 6.0 cm. Si alguna de estas dos medidas está entre 997 cm y 1.1 m, habrá interferencia entre la puerta de seguridad y los herrajes existentes. Puedes expandir la superficie de montaje para crear el espacio necesario o puedes montar la puerta de seguridad de forma tal que abra hacia el lado contrario a la puerta de entrada principal. Si hay menos de 6 cm entre la superficie de la puerta de entrada principal y la superficie de montaje de la puerta de seguridad, se necesitará expansión.



## 2) Determinar la configuración de tu umbral

Observa el umbral de tu puerta de entrada actual y usa los diagramas más abajo para determinar cuál es el umbral correcto para tu entrada. Esto determinará si necesitarás o no instalar la barra inferior en la puerta de seguridad.

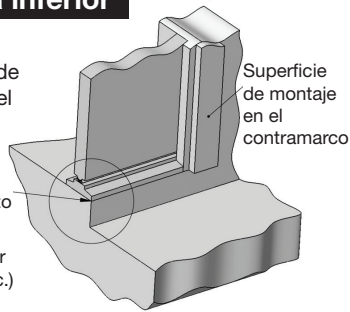
### Requiere la barra inferior



No hay espacio en la superficie de concreto para montar la placa del umbral.

Umbral cerca del borde del cemento

Descanso exterior (entrada, patio, etc.)



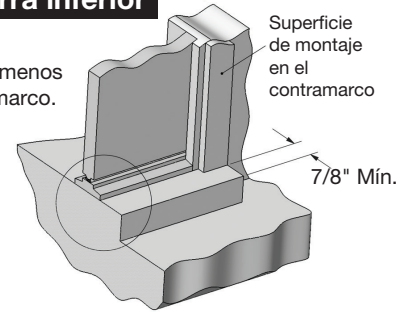
### NO Requiere la barra inferior



El concreto sobresale al menos 7/8" más allá del contramarco. 7/8" Mín.

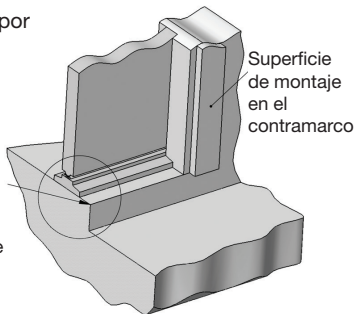
Superficie de montaje en el contramarco

7/8" Mín.



El concreto y el umbral están por detrás del contramarco.

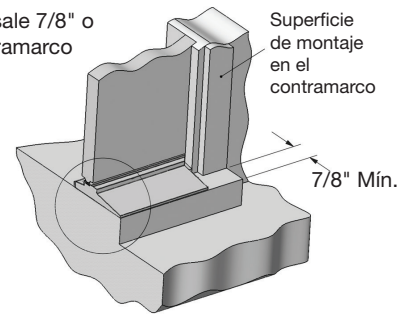
El cemento forma un saliente en frente del umbral pero no sobresale más allá de la superficie de montaje del contramarco



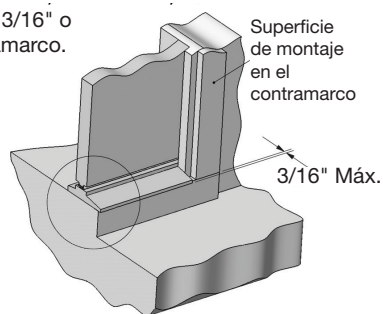
El umbral actual sobresale 7/8" o más por fuera del contramarco

Superficie de montaje en el contramarco

7/8" Mín.



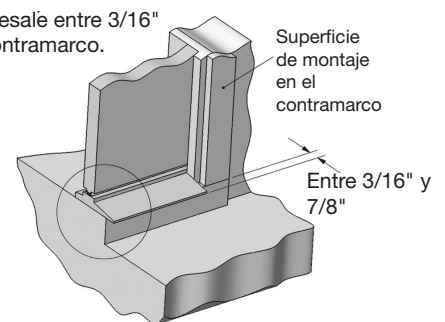
El umbral actual sobresale 3/16" o menos, más allá del contramarco. 3/16" Máx.



El umbral actual sobresale entre 3/16" y 7/8" más allá del contramarco. Entre 7/8" y 3/16"

Superficie de montaje en el contramarco

Entre 3/16" y 7/8"



## 3) Preparar tu puerta de seguridad

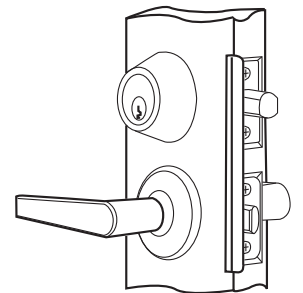
### Quitar el vidrio

Si tu puerta tiene un panel de vidrio, quítalo antes de empezar a instalar. Afloja (sin quitar) cada tornillo. Con cuidado sostén el panel de vidrio en su sitio y rota cada presilla 90°. Quita el panel de vidrio delicadamente y guárdalo en un lugar seguro durante la instalación.



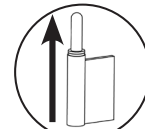
### Montar el juego de manijas

Instala la manija con retiro de 2-3/8" y el juego de cerradura de tu elección (Vendidos por separado), según las instrucciones del fabricante. Extiende completamente los pestillos en la posición de "cerrado" en la puerta de seguridad (B). (Vendido por separado)



# 4 Instalar la jamba del lado de las bisagras

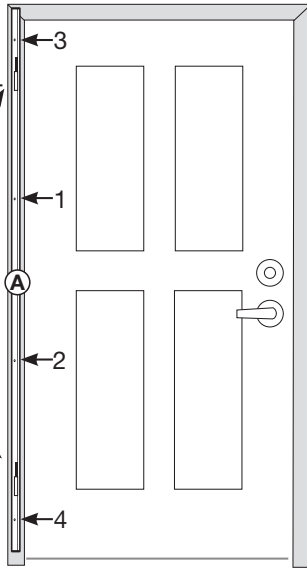
## Puerta de abertura a la izquierda



Este lado hacia arriba

**Nota:** Comprueba que la dirección de los pasadores coincida con la imagen

La jamba del lado de las bisagras debe instalarse contraria a la manija de la puerta de entrada

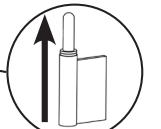


## Montaje de la jamba

Coloca la jamba del lado de las bisagras (A) en el lado elegido del vano según la dirección de la abertura de tu puerta. Deja un espacio de 1/8" entre el borde del lado de las bisagras de la jamba y el borde interior de la superficie de montaje.

**Nota:** Debe quedar un espacio de al menos 2-3/4" por debajo de la jamba del lado de las bisagras y debajo de todo el ancho de la puerta, para la barra inferior (montada en el Paso 7). Se pueden mover las puertas hacia arriba dentro de la entrada para dejar este espacio, siempre que la parte superior de las jambas no pase del borde superior de la estructura del contramarco. Si hay un espacio de 2-3/4" en toda la entrada, sigue con el paso 5. De lo contrario, coloca la barra inferior (E) sobre el piso frente a la entrada con los apoyos para arriba. Coloca el ensamblado de la jamba del lado de las bisagras (A) sobre el lado inactivo de la puerta, y desliza la jamba sobre el apoyo de la barra inferior para colocar correctamente la jamba. Debe hacerse esta misma alineación sobre la jamba del lado activo. Ver el diagrama más abajo:

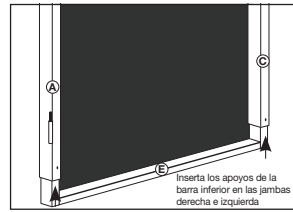
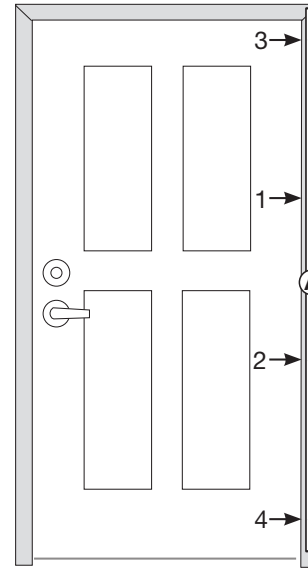
## Puerta de abertura a la derecha



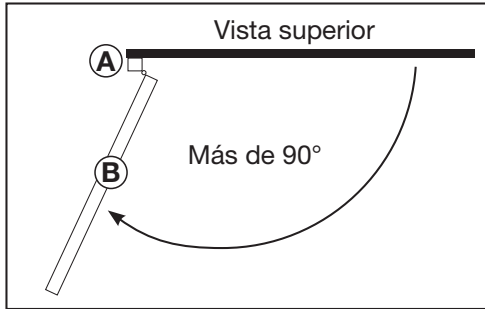
Este lado hacia arriba

**Nota:** Comprueba que la dirección de los pasadores coincida con la imagen

La jamba del lado de las bisagras debe instalarse contraria a la manija de la puerta de entrada

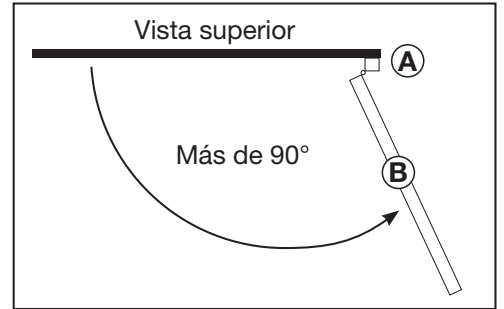


Inserta los apoyos de la barra inferior en las jambas derecha e izquierda



Vista superior

Más de 90°



Vista superior

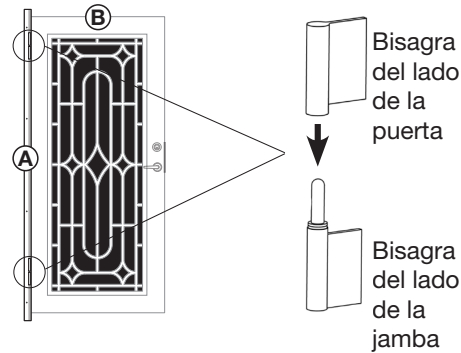
Más de 90°

**Importante:** Todas las jambas deben instalarse de manera segura en la estructura del contramarco alrededor de la abertura.

Asegúrate de que la jamba del lado de las bisagras quede a plomo. Inserta un tornillo a través de la jamba del lado de las bisagras y marca la posición de los orificios de montaje 1 y 2 ya sea con una hendidura o un rayón en la superficie de montaje. Pon la jamba del lado de las bisagras a un lado y taladra donde marcaste dos orificios, con una broca de 3/16".

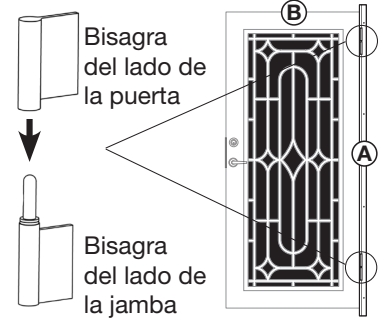
### Sostener la Jamba con tornillos provisionales:

Vuelve a colocar en su sitio la jamba del lado de las bisagras, verifica de nuevo si está a plomo y pon los dos tornillos para drywall núm. 10 de 3-1/2" (K) provistos, en los orificios 1 y 2 (ver el diagrama izquierdo superior) y monta provisionalmente la jamba (A). La única función de estos tornillos es mantener a plomo el marco de la puerta de seguridad mientras se comprueba el ajuste de la puerta; más adelante en este mismo paso serán reemplazados por tornillos unidireccionales.



Bisagra del lado de la puerta

Bisagra del lado de la jamba



Bisagra del lado de la puerta

Bisagra del lado de la jamba

### Montar la puerta para comprobar su ajuste:

Monta la puerta de seguridad (B), mientras la mantienes abierta a más de 90° (ver diagrama izquierdo central), en los pasadores de la jamba del lado de las bisagras (A): empieza por el pasador inferior (ver diagrama izquierdo inferior). Verifica que la puerta quede completamente apoyada sobre las bisagras.

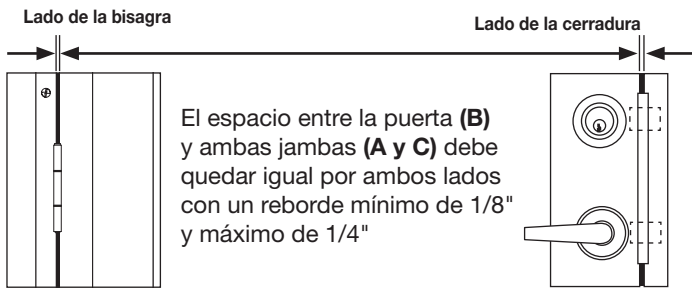
Coloca el nivel en el tope de la puerta para verificar si está nivelada y, luego, vuelve a comprobar si la jamba del lado de las bisagras se mantiene a plomo durante el montaje de la puerta de seguridad. La puerta se desmontará en el Paso 7 y se volverá a colocar en el 9. Si la puerta no queda nivelada vertical o horizontalmente, quita el panel de la puerta y reajusta la posición de la jamba.

### Fijar la jamba del lado de las bisagras con tornillos unidireccionales:

A través de los orificios 3 y 4 de la jamba del lado de las bisagras, taladra dos orificios de 3/16", y 4" de profundidad, en la superficie de montaje del contramarco en tu entrada. Con el taladro y la herramienta de destornillador unidireccional (I) provista, coloca dos tornillos unidireccionales (J) en los orificios 3 y 4 para fijar la jamba al contramarco de la entrada.

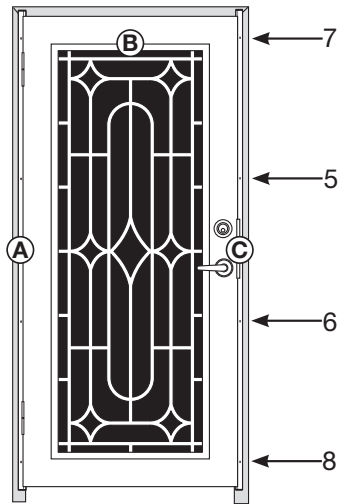
Quita los dos tornillos para drywall núm. 10 de 3-1/2" (K), previamente instalados en la jamba del lado de las bisagras (orificios 1 y 2 en el diagrama). A través de los orificios 1 y 2, taladra dos orificios de 3/16", y 4" de profundidad, en la superficie de montaje del contramarco en tu entrada. Con el taladro y la herramienta de destornillador unidireccional (I) provista, coloca dos tornillos unidireccionales (J) en los orificios 1 y 2.

## 5 Instalar la jamba del lado de la cerradura



### Alinear la jamba

Alinea los orificios de la cerradura, en la jamba del lado de la cerradura (C), con los pestillos de la cerradura extendidos. El espacio entre la puerta (B) y la jamba del lado de la cerradura (C) y entre la puerta (B) y la jamba del lado de las bisagras (A) deben ser igual a todo lo largo. Comprueba que la jamba del lado de la cerradura está a plomo, luego, inserta los tornillos a través de la jamba para marcar la posición de los orificios de montaje 5 y 6 de la jamba, ya sea con una hendidura o un rayón en la superficie de montaje. Pon la jamba mencionada a un lado y taladra, en las marcas, dos orificios con una broca de 3/16\".



### Tornillos provisionales

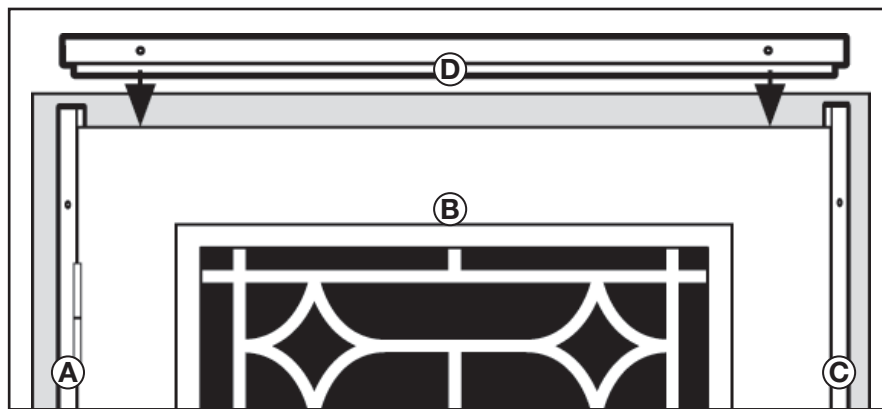
Vuelve a colocar en su sitio la jamba del lado de la cerradura, verifica de nuevo si está a plomo y pon los dos tornillos para drywall núm. 10 de 3-1/2\" (K) provistos, en los orificios 5 y 6 (ver el diagrama izquierdo) y monta provisionalmente la jamba (C). Es tos tornillos se usan sólo para mantener temporalmente la jamba a plomo.

### Tornillos permanentes

A través de los orificios 7 y 8 de la jamba del lado de la cerradura, taladra dos orificios de 3/16\", y 4\" de profundidad, en la superficie de montaje del contramarco en tu entrada. Con el taladro y la herramienta de destornillador unidireccional (I) provista, coloca dos tornillos unidireccionales (J) en los orificios 7 y 8.

Quita los dos tornillos para drywall núm. 10 de 3-1/2\" (K), previamente instalados en la jamba del lado de la cerradura (orificios 5 y 6 en el diagrama). A través de los orificios 5 y 6, taladra dos orificios de 3/16\", y 4\" de profundidad, en la superficie de montaje del contramarco en tu entrada. Con el taladro y la herramienta de destornillador unidireccional (I) provista, coloca dos tornillos unidireccionales (J) en los orificios 5 y 6; ten el cuidado de no mover la jamba y de mantener la separación de 1/8\" a 1/4\" entre la puerta y la jamba.

## 6 Instalar la jamba del dintel/travesaño



Coloca la jamba del travesaño superior (D) sobre la puerta (B) y entre las dos jambas laterales (A y C). Debes mantener el reborde mínimo de 1/8\" a todo lo largo de ambas jambas (A y C) así como en la jamba del travesaño superior (D). El espacio debe ser el mismo, de izquierda a derecha, y por encima de la puerta. Marca la posición de los orificios de montaje. Pon la jamba del travesaño superior (D) a un lado y taladra donde marcaste orificios de 3/16\" y 4\" de profundidad. Vuelve colocar en su sitio la jamba del travesaño superior y, con la herramienta de destornillador unidireccional (I), fíjala a la estructura con los tornillos unidireccionales (J) provistos. Quita la puerta de las bisagras y ponla a un lado.

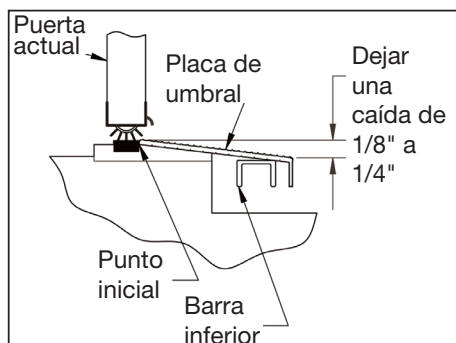
**Opcional:** tapones (N) para ayudar a sellar completamente el cabezal superior jamba. Inserte los tapones en la parte superior del cabezal jamba.  
**Nota:** Las tapas pueden ser ajustados. Colocar un bloque de madera sobre cada tapa de extremo y golpee suavemente con un martillo.

## 7 Instalar la barra inferior

**Nota:** Si **NO** necesitas instalar la barra inferior tal como se determinó en el **paso 2**, desecha la barra inferior y procede con el **paso 9**.

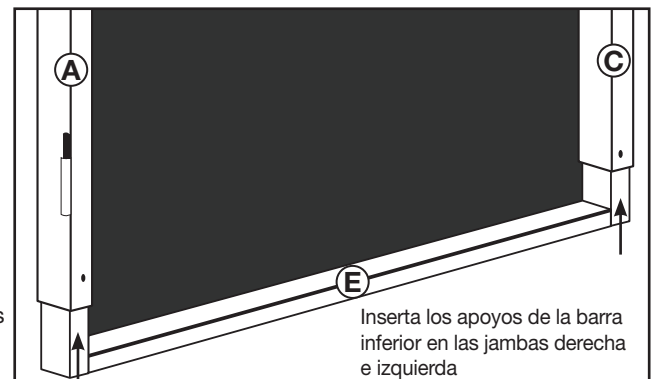
### Posición de la barra inferior

La barra inferior (E) debe instalarse 1/8\" a 1/4\" por debajo de la entrada actual para dejar una inclinación con respecto al umbral. Ello permite drenar la humedad lejos de la puerta.



### Instalación de la barra inferior

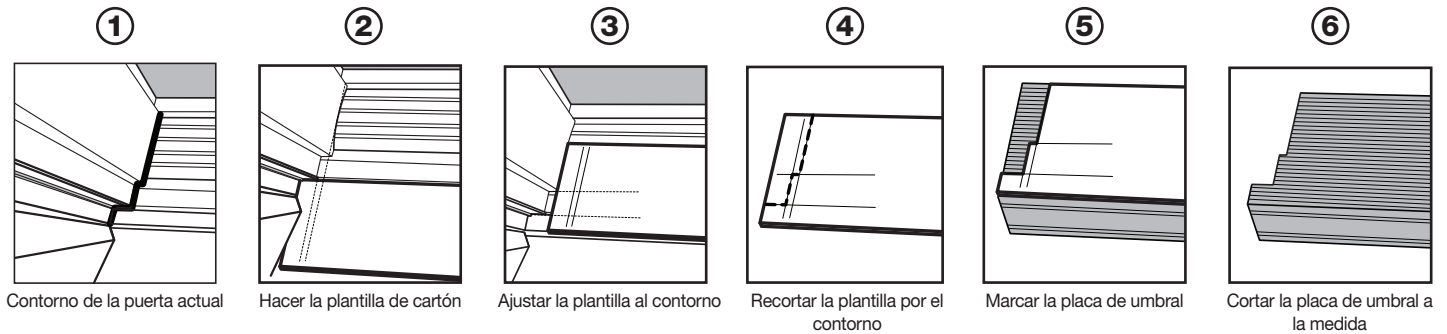
Inserta los apoyos de la barra inferior en las jambas derecha e izquierda. Ajusta la altura de la barra inferior al nivel correcto. Instala la barra inferior (E) con los dos tornillos autoroscantes núm. 8 (L) tal como se muestra. Usa el taladro a un velocidad baja para no dañar las roscas.



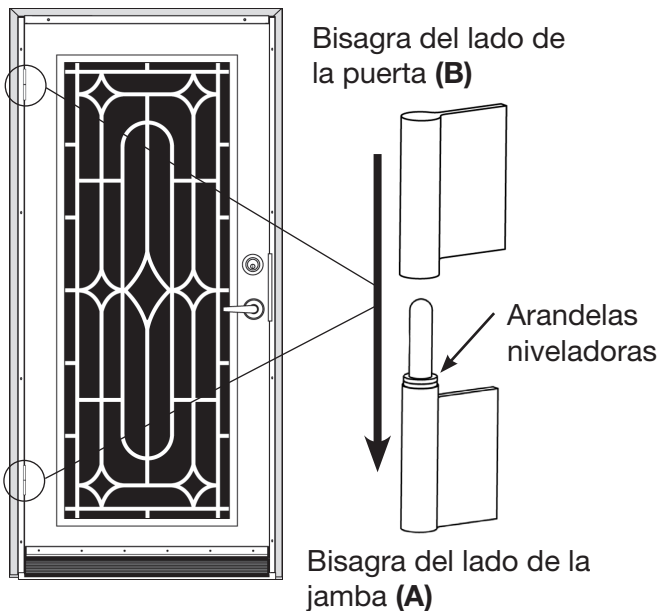


## 8 Instalar la placa de umbral

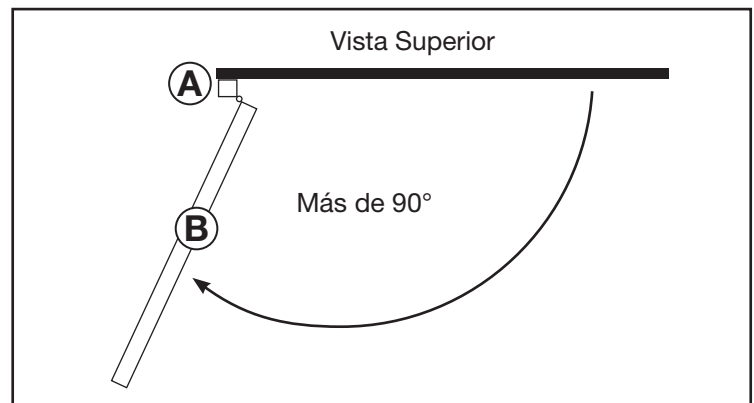
1. El contorno de los marcos de las puertas varía, por lo tanto es necesario cortar la placa de umbral (**F**) a la medida. Recomendamos recortar primero una plantilla de cartón a la medida de la abertura para evitar errores irreversibles al cortar la placa de umbral.
2. Coloca la plantilla de cartón (**M**) arriba de la barra inferior y presiona para encajarla en el umbral actual hasta donde sea posible. Con una regla, marca en la plantilla los diferentes anchos de las molduras y contramarcos actuales en ambos extremos.
3. Mueve la plantilla hasta dejarla a ras con el borde frontal de la barra inferior (se puede doblar para ajustar al ancho más corto entre las molduras y contramarcos). Marca en las diferentes esquinas de las molduras y contramarcos actuales.
4. Con un cuchillo para cartón recorta la plantilla siguiendo el contorno y las marcas de las molduras y contramarcos. Prueba si la plantilla ajusta correctamente. (Debe quedar apoyada sobre la barra inferior con el borde frontal a ras con el de la barra inferior y ajustada a las esquinas de las molduras y contramarco actuales).
5. Después de crear la plantilla apropiada, úsala para marcar la placa de umbral.
6. Con tijeras de hojalatero/tijeras de aviación, corta la placa de umbral según la forma de la plantilla (**6**). Coloca la placa de umbral extendida a lo largo de la barra inferior y dentro del umbral existente. Usa una broca de 1/8" para taladrar los orificios de los tornillos de montaje. Fija la placa en el umbral actual con los tornillos (**L**) provistos.



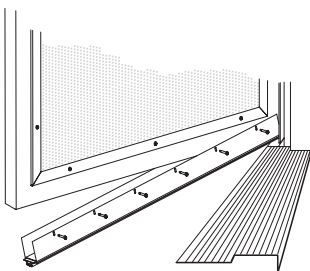
## 9 Instalar la puerta



Monta la puerta de seguridad (**B**) en las bisagras de la jamba (**A**), con la puerta abierta a más de 90° (ver el diagrama más abajo); empieza por el pasador inferior.

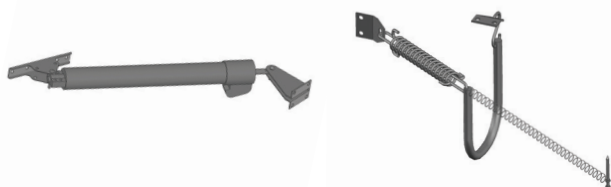


## 10 Install the bug sweep



Abre la puerta. Desliza el guardapolvo contra insectos de aletas múltiple (**G**) en la sección inferior de la puerta. Sostén el guardapolvo en su sitio y cierra la puerta. Deja que el guardapolvo caiga y descance sobre la placa de umbral (**F**). **Nota:** Verifica que no quede ningún resquicio entre el guardapolvo y la placa de umbral, y que el guardapolvo quede centrado en la sección inferior de la puerta. Usa una broca de 1/8" para taladrar los dos orificios exteriores para los tornillos de montaje. A través de los orificios exteriores, fija el guardapolvo en la sección inferior de la puerta con los tornillos provistos (**L**). Comprueba si la puerta cierra y abre sin dificultad. De no ser así, afloja los tornillos y haz los ajustes necesarios. Vuelve a apretar los tornillos y prueba de nuevo. Repite hasta lograrlo. Taladra el resto de los orificios e instala los tornillos (**L**) provistos restantes.

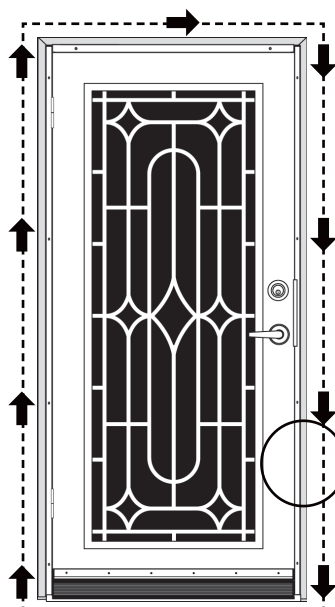
# 11 Instalar el cierre de la puerta y la cadena de retención (opcional, vendidos por separado)



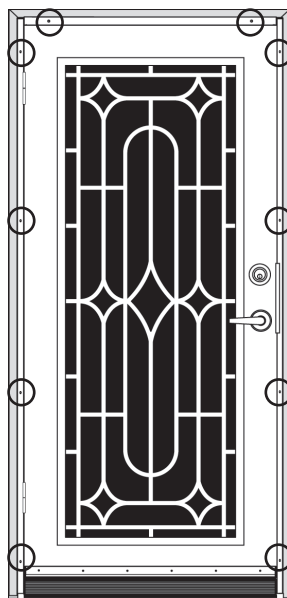
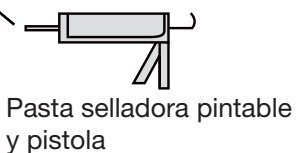
Sigue las instrucciones del fabricante incluidas con la cadena de retención y el cierre de la puerta para instalar en tu nueva puerta de seguridad.

**Nota:** No es imprescindible usar un cierre y una cadena de retención en tu puerta de seguridad.

## Retoques finales y sugerencias de mantenimiento



**Pasta selladora (no incluido)**  
Aplica pasta selladora pintable por el exterior del marco de la jamba de tu puerta de seguridad y pinta del color deseado.



**Pintura para retoques**  
Agita bien durante 2 minutos la pintura de retoque (**H**) provista y pinta las cabezas de los tornillos unidireccionales tal como lo indica el diagrama.

**Lubricante de grasa blanca (no incluido)**  
Cada seis meses lubrica con grasa blanca las bisagras de nueva puerta de seguridad.

## Garantía

Se garantiza que su puerta de Seguridad con Pantalla de Unique Home Designs para instalaciones residenciales no presentará defectos de fabricación bajo condiciones de uso normal durante todo el período en que usted sea propietario de este producto de UHD, y concluye si usted vende o transfiere el producto o la propiedad en la cual se instaló. El Acabado Recubierto de Material Granular está garantizado durante cinco años a partir de la fecha de compra. Todos los demás componentes del producto, incluyendo el material protector solar, guardapolvo contra insectos, burlete y materiales compuestos están cubiertos durante un año a partir de la fecha de compra. En la pantalla de seguridad puertas equipadas con el sistema de pantalla avanzada Meshtec, la pantalla material está garantizado contra defectos de fabricación en condiciones normales de uso residencial, durante los primeros 10 años el propietario del producto y finaliza si vende o transfiere de algún otro modo el producto o la propiedad en la que se instaló. Si la puerta se rompe u aparecen defectos estructurales, Unique Home Designs, a discreción, reparará o reemplazará la puerta. Si roban en su hogar mediante entrada forzosa y logran entrar a través de una puerta de seguridad de UHD, cerrada con cerrojo doble, UHD le pagará hasta \$1000 de deducible de su seguro o reemplazará según sea el caso la puerta de seguridad de UHD dañada sin costo alguno (la "Garantía de Protección del Hogar"). El estilo de los repuestos puede variar debido a cambios de proveedores y productos. No todos los colores pueden estar disponibles si se han discontinuado. UHD no se responsabiliza por cualquier costo de mano de obra que se necesite para reparar o reemplazar la puerta. UHD no se responsabiliza por asegurar la propiedad mientras los artículos bajo la garantía estén siendo reparados o reemplazados. Las piezas de corte no especificadas por la guía de instalación o las piezas con fallas de perforación no están incluidas en esta garantía. La garantía no cubre ningún problema causado por abuso, uso inapropiado, fuerza mayor, por no mantener correctamente el artículo garantizado o por ajustes debido al asentamiento de la estructura en la que está montado el producto.

Para efectuar una reclamación bajo esta garantía, envíe por escrito una descripción breve del problema, una foto de la reclamación, comprobante de compra y su información de contacto a: Unique Home Designs, 973 N. Colorado Street, Gilbert, AZ. 85233 Atención: Warranty Claims