

COM-PAK



The Com-Pak is an efficient, affordable way to add warmth without installing ductwork. Our hard wired heaters have proven safety features and multiple installation options, so your family can enjoy safe, sensible warmth for years.

ARCHITECTURAL - ENGINEERING INFORMATION

Fan forced up flow electric air heaters are UL listed, factory rated at 120V, 208V, and dual field rated 208V/240V. A powder coated 20 gauge wall mounting can with six knockouts and 34 cubic inch wiring compartment is provided with each complete heater. Each complete heater is powder coated, of unitized construction and attaches to the wall can with a single screw and is self-contained and completely separate from the wall mounting can. Element is of nichrome type wire wrapped on mica insulators with a 16 amp rated, at 240V, high temperature manual power reset limit switch, and a one-time over temperature thermal back-up fuse, both located on the element board in the heated air flow for faster response time to abnormal conditions. A two stage centrifugal blower delivering approximately 40 to 55 CFM is driven by an impedance protected motor. The motor is totally isolated from the heating chamber. Metal grill is of one piece, 20-gauge construction and finished with a powder coat paint system.

- Efficient, quiet fan
- Warm up in a hurry with a fast-heating element
- Unique compact design is recess mounted into your wall to suit any room
- All metal surfaces are powder-coated paint to remove sharp edges and provide a durable finish
- Easy to install
- Rest easy – includes high temperature safety shutoff
- Available with or without built-in thermostat

TECHNICAL INFORMATION

UL safety standards require the heater to be placed a minimum distance of 3/4 inches (1.9 cm) from adjacent surfaces and 4-1/2 inches (11.4 cm) from the floor. Manufacturer recommends installations 12 inches (30.5 cm) from all surfaces for longer and cleaner performance. All models 1500 watts or less may be ceiling mounted. A 3 foot (91.4 cm) minimum clearance is required for furniture or other objects placed directly in front of the heater.

Electric wall heaters and thermostats work best when installed on an inside wall.



Grill: 9" W (22.9 cm) x 12"H (30.5 cm) x 1"D (2.5 cm)

Rough-in: 8"W (20.3 cm) x 10-1/8"H (25.7 cm) x 4"D (10.2 cm)

Thermostat temperature range 40°F to 85°F (4°C to 29°C)

Heater assemblies require a wall can, grill kit, and may require a thermostat and trim kit

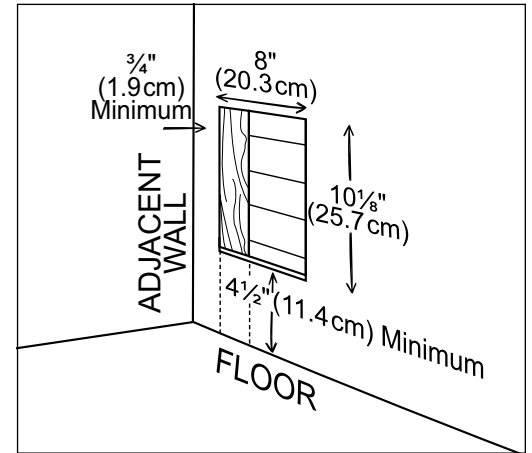
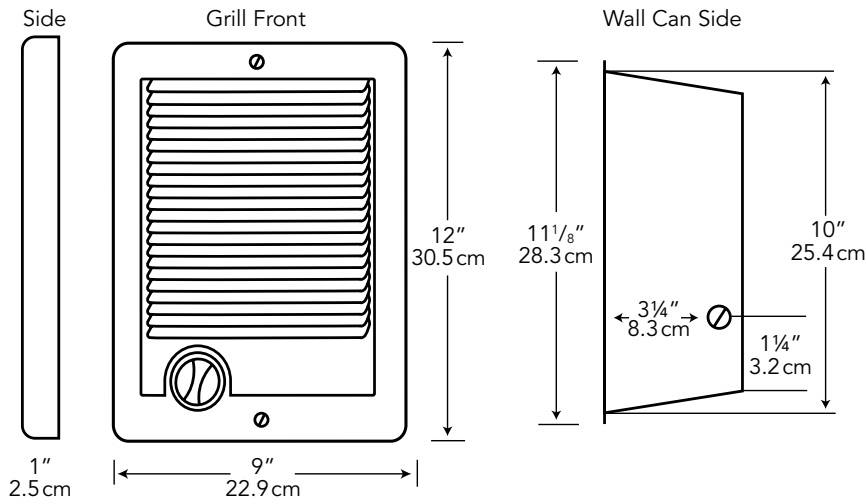
MODEL*	DESCRIPTION	WATTS	VOLTS	AMPS	BTUS	WT/LBS
CSC101TA		1000	120	8.3	3415	7
CSC102TW-C	Complete unit with stat, wall can & grill, white or almond	1000/750	240/208	4.2/3.6	3415/2560	7
CSC102TA						
CSC152TW-C	Complete unit with stat, wall can & grill, white	1500/1125	240/208	6.3/5.4	5120/3840	7
CSC202TW-C						
CSC101W-C	Complete unit w/o stat, with wall can & grill, white or almond	1000	120	8.3	3415	7
CSC101A						
CSC151W	Complete unit w/o stat, with wall can & grill, white or almond	1500	120	12.5	5120	7
CSC151A						
CSC072W-C	Complete unit w/o stat, with wall can & grill, white or almond	750/563	240/208	3.1/2.7	2560/1925	7
CSC102W-C						
CSC102A	Complete unit w/o stat, with wall can & grill, white or almond	1000/750	240/208	4.2/3.6	3415/2560	7
CSC152W-C						
CSC152A	Complete unit w/o stat, with wall can & grill, white or almond	1500/1125	240/208	6.3/5.4	5120/3840	7
CSC202W-C						
CS051	Heater assembly w/o thermostat	500	120	4.2	1710	3.5
CS051T	Heater assembly with thermostat					4
CS101	Heater assembly w/o thermostat	1000	120	8.3	3415	3.5
CS101T	Heater assembly with thermostat					4
CS151	Heater assembly w/o thermostat	1500	120	12.5	5120	3.5
CS151T	Heater assembly with thermostat					4
CS058	Heater assembly w/o thermostat	563	208	2.7	1925	3.5
CS058T	Heater assembly with thermostat					4
CS078	Heater assembly w/o thermostat	750	208	3.6	2560	3.5
CS078T	Heater assembly with thermostat					4
CS108	Heater assembly w/o thermostat	1000	208	4.8	3415	3.5
CS108T	Heater assembly with thermostat					4
CS118	Heater assembly w/o thermostat	1125	208	5.4	3840	3.5
CS118T	Heater assembly with thermostat					4
CS158	Heater assembly w/o thermostat	1500	208	7.2	5120	3.5
CS158T	Heater assembly with thermostat					4
CS208	Heater assembly w/o thermostat	2000	208	9.6	6825	3.5
CS208T	Heater assembly with thermostat					4
CS052	Heater assembly w/o thermostat	500/375	240/208	2.1/1.8	1710/1280	3.5
CS052T	Heater assembly with thermostat					4
CS072	Heater assembly w/o thermostat	750/563	240/208	3.1/2.7	2560/1925	3.5
CS072T	Heater assembly with thermostat					4
CS102	Heater assembly w/o thermostat	1000/750	240/208	4.2/3.6	3415/2560	3.5
CS102T	Heater assembly with thermostat					4
CS122	Heater assembly w/o thermostat	1250/937	240/208	5.2/4.5	4265/3200	3.5
CS122T	Heater assembly with thermostat					4
CS152	Heater assembly w/o thermostat	1500/1125	240/208	6.3/5.4	5120/3840	3.5
CS152T	Heater assembly with thermostat					4
CS202	Heater assembly w/o thermostat	2000/1500	240/208	8.3/7.2	6825/5120	3.5
CS202T	Heater assembly with thermostat					4

WALL HEATER ACCESSORIES (MODEL CS)

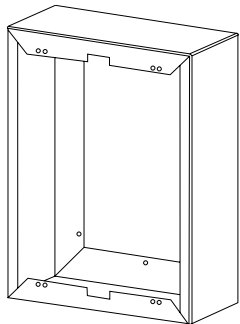
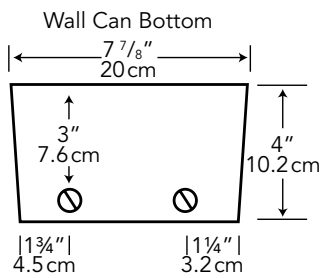
MODEL*	DESCRIPTION	VOLTS	AMPS	WT/LBS
CC	Wall can for model CS, single or 10-pack			2.8
CC10				22.5
CGW	Vertical grill kit for model CS, single or 10-pack, white			1.5
CGW10				12.3
CGA	Vertical grill kit for model CS, single or 10-pack, almond			1.5
CGA10				12.3
CMGA	Horizontal grill kit for model CS, single or 5-pack, almond			2.0
CMGA5				7.5
CMGW	Horizontal grill kit for model CS, single or 5-pack, white			2.0
CMGW5				7.5
CTT1W-C	Built-in thermostat kit for model CS, single or double pole, 40°F to 85°F (4°C to 29°C), white	240/208/120	22	0.2
CTT2W-C				
CTT1A	Built-in thermostat kit for model CS, single or double pole, 40°F to 85°F (4°C to 29°C), almond	240/208/120	22	0.2
CTT2A				
C1TKW-C	Trim kit for model CS, 1" (2.5 cm), white			1
C4TKW-C	Surface trim kit for model CS, 4" (10.2 cm), white			2.8
C1TKA	Trim kit for model CS, 1" (2.5 cm), almond			1
C4TKA	Surface trim kit for model CS, 4" (10.2 cm), almond			2.8

*Suffix W or A in model designates colour

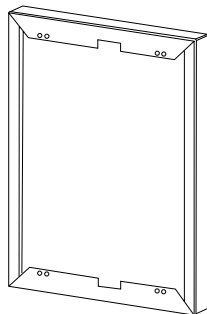
*Suffix -C in model designates colour packaging



ROUGH-IN: 8"W (20.3 CM) X 10-1/8"H (25.7 CM) X 4"D (10.2 CM)

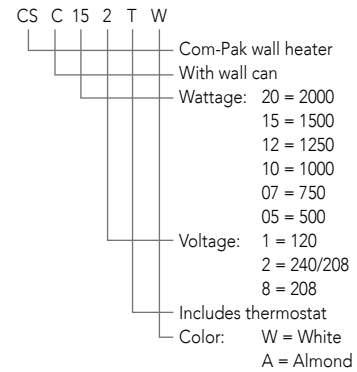


SURFACE TRIM KIT (C4TKW-C):
9-1/4"W (23.5 CM) X 12-1/4"H (31.1 CM) X 4-1/8"D (10.6 CM)



TRIM KIT FOR 2" X 3" CONSTRUCTION (C1TKW-C):
9-1/4"W (23.5 CM) X 12-1/4"H (31.1 CM) X 1-1/8"D (2.8 CM)

Model No. Code



If horizontal mounting is preferred for heater assemblies without thermostat, use grill kit model CMGA or CMGW.