


说明书A4

Model: S001S

Assembly, Installation, Care, Maintenance and Use Instructions



Warning -

- This swing set is for family domestic use only.
- This swing set is designed for use by children 3-8 years of age weighing no more than 100lbs
- This swing set is for outdoor use only.
- Children of all ages must be supervised by an adult at all times when using this swing set.
- Adult assembly of this swing set is required. Two adults are recommended for assembly.

WARNING

Please read the instruction manual before you start with the assembly or use this swing set. You must follow all safety instructions while using this equipment. Be absolutely sure that the surface, on which this swing set is set up, is properly surfaced with fine sand, wood chips or double shredded bark mulch. Do not use this swing set on hard pack soil, concrete or any kind of hard surface. Read all cautionary statement before using this equipment.

OBSERVING THE FOLLOWING SAFETY PRECAUTIONS AND WARNINGS REDUCES THE LIKELIHOOD OF SERIOUS OR FATAL INJURY.

- Read this manual and follow all instructions before using and assembling your playground equipment.
- This playground equipment must be assembled and disassembled by an adult. It is recommended to have two adults assemble this playground equipment.
- Always provide one-on-one adult supervision for children of all ages at all times.
- This playground equipment is designed to be used by no more than 5 children between the ages of 3 to 8 years at any one time. Children should not weigh more than 100 lbs (45.4 Kg) each.
- WARNING:** Loose weights (if applicable) are designed for use by children over two years of age. Use by children under the age of two can result in entrapment between the seat and back areas. NEVER place children to use during position or with legs between the seat and backrest because the child's body may pass through the opening causing entrapment of the child's head.
- Always ensure the playground equipment sits on level ground.
- To prevent serious injury to children, the playground equipment must not be used until properly assembled and anchored.
- To anchor all playground equipment. Do not install over concrete, asphalt, gravel on any hard surface. A flat, level and surface can result in serious injury to the user.
- It is recommended that the playground equipment be placed in concrete. Be certain that all anchoring devices (including concrete) are placed below the level of the playing surface or below ground level to prevent tripping.
- Do not anchor or place playground equipment near any obstruction or sharp objects! Place playground equipment on level ground, not less than 6ft (1.8m) from any structures or obstacles such as fence, garage, window, recessed porch, driveway, bushes, trees, electrical wires.
- Do not let children use the playground equipment until it is properly assembled and anchored.
- Provide proper surface material cover for this equipment prior to using this equipment. See page 4 of this manual for more information.
- Empty holes or pits are missing. Do not use this playground equipment!
- If the child has any physical condition that may affect his/her ability to use this equipment, one shall consult physician before allowing the child to use this equipment.
- Do not allow reckless playing, such as jumping off swing, slide, or glide ride.
- Do not allow more than one child to play on the swing, support bar or slide at any one time. Children must take turns using the slide.
- Do not allow children to play on this equipment. Adults should never ride on any of the swing seats, support or slide.
- These children are not to be used on this equipment. Do not allow children to wear plastic, scarves, jewelry or any other loose fitting clothing that is potentially hazardous while using playground equipment.
- Urge children not to use the equipment in any manner other than intended.
- Teach children to sit in the center of the swing play items, with their full weight in the center of the seats. Do not allow children to stand on the seats. One child per seat only! Do not allow children to lean to the side when riding on other rides, structural members or cables with other play items.
- Urge children not to walk too closely in front of, behind, or between moving items.
- Urge children to keep a safe distance away to avoid being struck by items in play.
- Urge children not to reach, swing, chop, or trip or trip them over the top support bar since this may reduce the strength of the chain or rope and may result in failure.
- Urge children to avoid swinging empty play items. These may strike other children or come back and strike you.
- Urge children not to get off equipment while it is in motion. Do not allow children to jump from moving play items.
- Do not allow children to swing play items more than 60 degrees.
- Do not allow children to climb or play on equipment when equipment is wet. Slip or falls may occur.
- Check the openings between rollers and sliding surfaces of roller slides for foreign materials that could be potentially hazardous to users.
- Verify that suspended climbing ropes, chain, or cables are secured at both ends, and verify that suspended climbing ropes, chain, or cables cannot be looped back on itself.
- Urge children not to attach items to the playground equipment that are not specifically designed for use with the equipment such as but not limited to jump ropes, kicklines, poi lines, cables and chain as they

may cause a strangulation hazard

- Instruct children not to go down slide head first.
- Check slide bed for entrapment before letting children use slide. (When exposed to direct sunlight.)
- Do not allow children to climb on swing from structural members (legs, top bar and chin bar). These are structural components only and NOT play features.
- Do ensure that all sun and bolts are completely tightened after assembling the playground equipment.
- Dispose of all packaging properly after sun has been assembled.
- Please return the instruction manual for future reference and review each season.

CARE & MAINTENANCE INSTRUCTION

It is important to perform the following maintenance inspections at the beginning of each season and twice monthly thereafter.

- Inspect all nuts and bolts for tightness and tighten as required. It is particularly important that this procedure be followed at the beginning of each season.
- Remove plastic swing seats and take indoors or do not use when temperature drops below 32°F (0°C).
- Inspect swing seats, ropes, cables and chains for evidence of deterioration. Replace as needed.
- Inspect all coverings for bolts and sharp edges to be certain they are in place. Replace when necessary.
- Oil all metal moving parts monthly during the usage period.
- Inspect metal tubing and slide bed for damage and sharp edges. Replace when necessary.
- Sand treated areas on metal tubing and repaint using a rusted-based paint meeting the requirements of Title 16 CFR Part 1303.
- If slide bed is exposed to direct sunlight, always check bed to ensure it is not too hot for children use. Pour cold water onto the slide bed until it cools. Inspect slide bed periodically during use. Replace when necessary.
- Plastic components should be replaced every three years.

DISPOSAL INSTRUCTIONS

- When it is time to dispose of the playground equipment, please use care when disassembling the playground equipment. Dispose in a safe place and manner so as not to present any hazards to any individual. Wear heavy duty working gloves!
- Be sure to completely disassemble the whole swing and slide sets, before disposal.
- Do not leave partially disassembled equipment in areas where accessible by children.
- Consumer may wish to recycle the steel tubing, please take the frame to your local recycling center.
- All plastic parts could be recycled, take it to your local recycling center.
- Do not let children play with any disassembled parts destined for disposal, such as chain, slide, tubing, bolts, nuts, screws!

IMPORTANT CONSUMER INFORMATION SHEET

The Consumer Product Safety Commission estimates that about 200,000 injuries occurred from falls from playground equipment, which requires hospital emergency treatment. Injuries from falling tend to be the most serious of all playground injury, and it may be potentially fatal, especially when it is a head injury. The ground surface under the playground equipment can be an important factor in determining the injury causing potential of a fall. A fall onto a shock absorbing surface is less likely to cause serious injury in comparison to a fall onto a non shock absorbing hard surface. Never place playground equipment on hard surface such as concrete, asphalt, rocks, grass or any other surface. In a heavy traffic area, it may quickly turn into hard packed earth. Fine sand, wood chips, shredded bark are acceptable shock absorbing surface, when installed at a sufficient depth under the playground equipment. It must be maintained properly, water and around the perimeter of playground equipment.

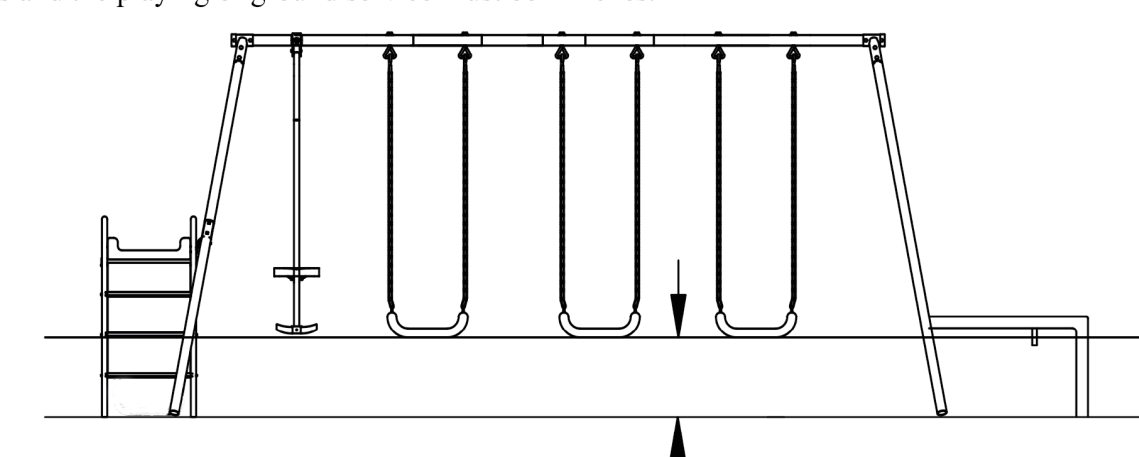
Table below lists the maximum height from which a child would not be expected to sustain a life-threatening injury to the head, when falling onto the loose fill surface materials, provided that these materials are installed and maintained at 6, 9, 12 and 12 inches deep. However, consumers should recognize that no matter what type of surface material is used, it can not prevent all injuries due to falls.

MATERIAL	FALL HEIGHT IN FEET FROM WHICH FALLING INTO THE SURFACE WOULD NOT BE EXPECTED TO CAUSE SERIOUS INJURY TO THE HEAD		
	6 INCH DEPTH	9 INCH DEPTH	12 INCH DEPTH
Double shredded bark mulch	6	7	12
Wood Chips	6	7	12
Fine Sand	5	5	9

We recommend that surfacing material as per table above should extend a minimum of 6ft in all direction from the perimeter of the playground equipment. In certain cases, a child may deliberately jump from a moving swing. Therefore, any shock absorbing material should extend in the front and rear of swing a minimum of 2 times the height of the pivot point, this height is determined by measuring from a point directly beneath the pivot on the supporting structure.

Please note this information is intended to assist in comparing the relative shock-absorbing properties of various surfaces. No particular material is recommended over another. Every material is only effective when properly maintained. Material should be maintained and replenished periodically after inspection by user, to maintain the correct depth necessary for your equipment.

Note: The maximum fall height for this product is 6 feet. The minimum ground clearance between the bottom of the suspended plays and the playing or ground service must be 8 inches.



YOU MUST MAINTAIN A MINIMUM OF 8 INCHES OF GROUND CLEARANCE

PARTS LIST

Please prepare the following tools prior to assembling this equipment: A socket set or open ended spanner may be required in assembly(not supplied)

- Hammer (If you intend to install Anchor,this is needed.)
- Tape Measure (Not included)
- Flat Head and Phillips Head Screwdriver (Not included)
- Wrench (included)
- Allen Wrench (included)

Parts list for main frame

A1	LEFT TOP BAR	1 PCS
A2	LONG TOP BAR	1 PCS
A3	TOP SECTION LEG	4 PCS
A5	BOTTOM SECTION LEG	4 PCS
A6	CROSS BAR	1 PCS
A7	CROSS BAR	1 PCS

Hardware used for main frame assembly

B1	BOLT 5/16*63	14 PCS
B2	BOLT 5/16*63	4 PCS
B3	NYLON NUT 5/16"	18 PCS
B4	PLASTIC CAP	18 PCS
B5	ARC WASHER	32 PCS
B6	SPRING WASHER	4 PCS

Parts list for swing seat

J1	PVC COVERED CHAIN(PREASSEMBLED)	4 PCS
J3	EYE BOLT WITH ATTACHMENT BOLT(PREASSEMBLED)	4 PCS
J4	EYE BOLT(PREASSEMBLED)	4 PCS
K1	SWING SEAT	2 PCS

Hardware used for swing seat assembly

J6	NYLON NUT 5/16"	8 PCS
J8	ARC WASHER	8 PCS
J9	PLASTIC CAP	8 PCS

Parts list for glide ride

L1	SECTION HANGER	2PCS
L2	GLIDE SEAT SUPPORT	2 PCS

M1	TUBE CAP(PREASSEMBLED)	2 PCS
M2	SMALL NYLON BEARING (PREASSEMBLED)	2 PCS
M3	LARGE NYLON BEARING	4 PCS
M4	GLIDE SEAT	2 PCS
M5	FOOTREST	2 PCS

Bracket used for glide ride assembly

L4	BRACKET	1 PCS
L5	BRACKET CLAMP	1 PCS
L6	WASHER	4 PCS
N3	BOLT 5/16*25	2 PCS
N8	NYLON NUT 5/16"	2 PCS
N14	PLASTIC CAP	2 PCS

Hardware used for glide ride assembly

N1	BOLT 1/4*35	4 PCS
N2	BOLT 1/4*45	2 PCS
N5	SCREW W6 6*5*15	4 PCS
N6	J-BOLT	2 PCS
N7	SPRING WASHER	4 PCS
N9	WASHER	12 PCS
N11	NUT 1/4"	4 PCS
N12	NYLON NUT	4 PCS

Parts used for slide assembly

X1	SLIDE SUPPORT(WITH 2 HOLES)	1 PCS
X2	SLIDE SUPPORT	1 PCS
X3	SLIDE LEG TUBE	2 PCS
X4	SLIDE TOP SUPPORT BAR	1 PCS
X6	SLIDE LADDER STEPS	2 PCS
Y2	SLIDE	1 PCS

Hardware used for slide assembly

Z1	BOLT 1/4*35	6 PCS
Z2	BOLT 1/4*60	2 PCS
Z3	BOLT 1/4*100	2 PCS
Z4	WASHER	24 PCS
Z5	NYLON NUT 1/4"	12 PCS
Z8	BOLT 1/4*90	2 PCS
Y3	PLASTIC TUBE COVER(BLACK)	2 PCS

ASSEMBLY INSTRUCTION

Place the playground equipment on level ground, not less than 6 ft (1.8 m) from any structure or obstruction such as a fence, garage, house, overhanging branches, laundry lines, or electrical wires.

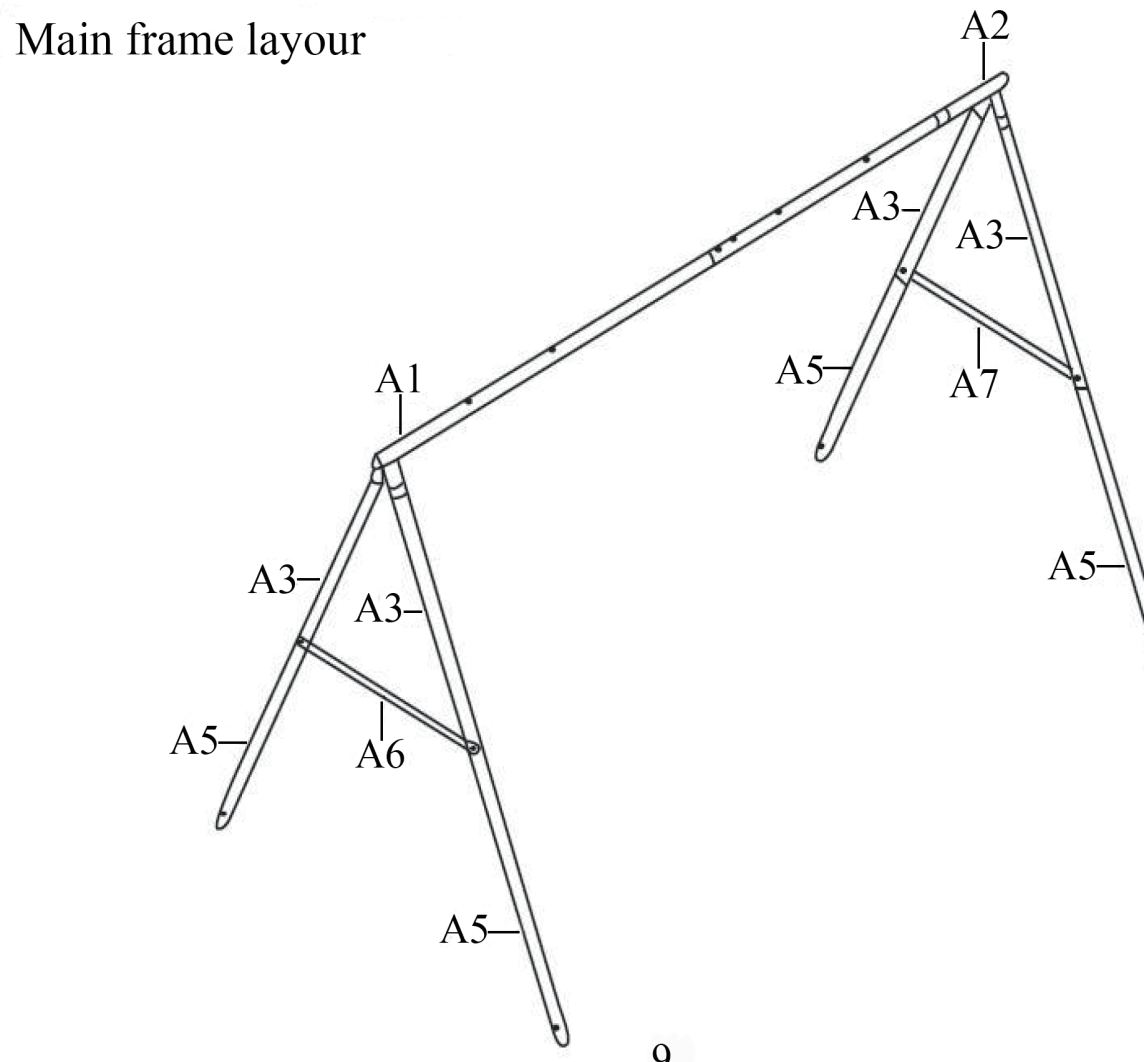
Do not install the playground equipment over concrete, asphalt, packed earth, or any other hard surface. A fall onto a hard surface can result in serious injury to the user.

TIGHTENING NYTS & BOLTS

Do not over-tighten the nuts and bolts when you are assembling your playground equipment. This will allow for some possible adjustments and ease of installation.

Once you have finished the assembly of the playground assembly, go back over all of the nuts and bolts and properly tighten all of them before using the playground equipment.

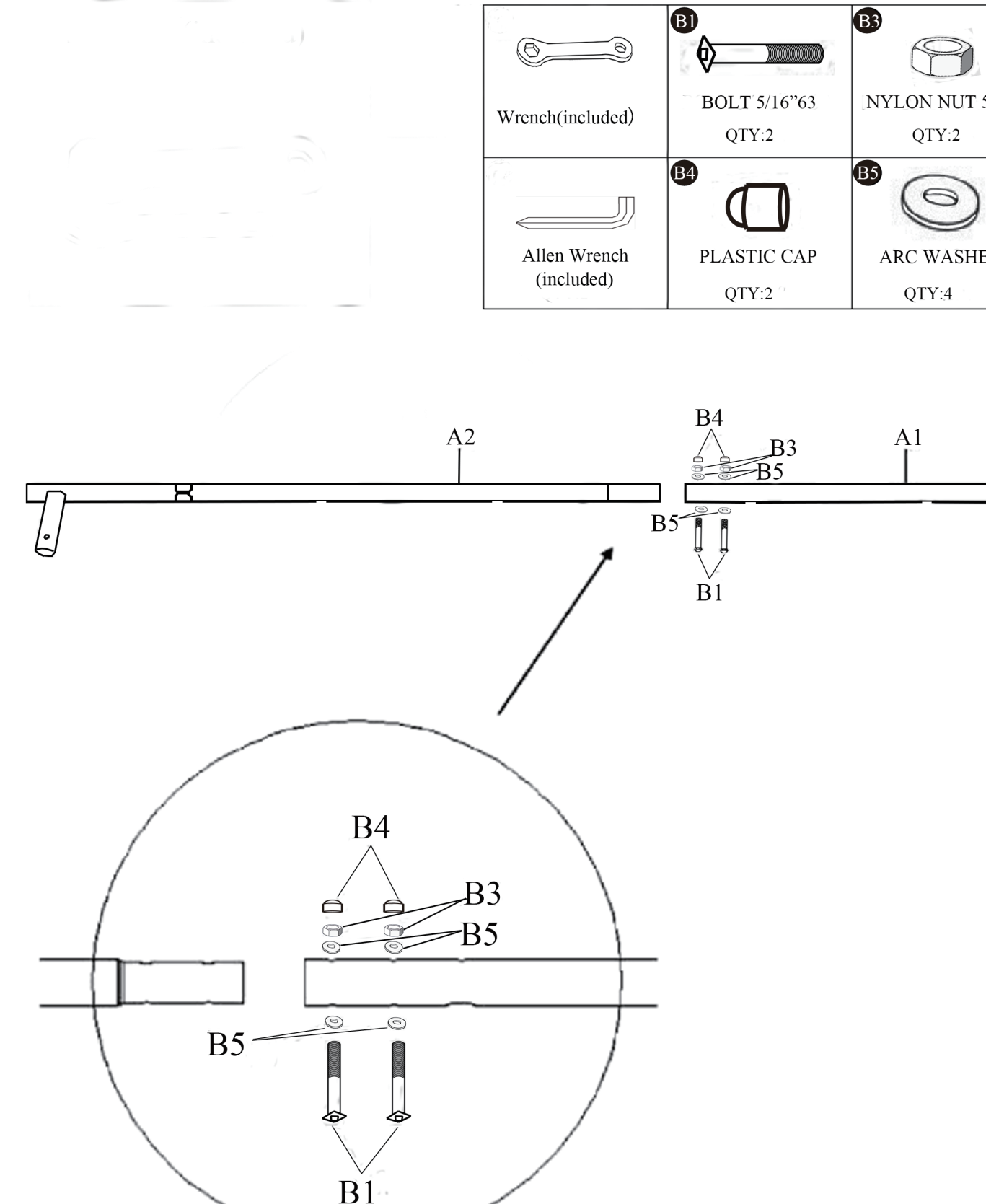
Main frame layout



Step 1

Insert A1 into the other end of A2,secure with B1,B5,B3 and B4

HINT:Please make sure that concave hole faces down.

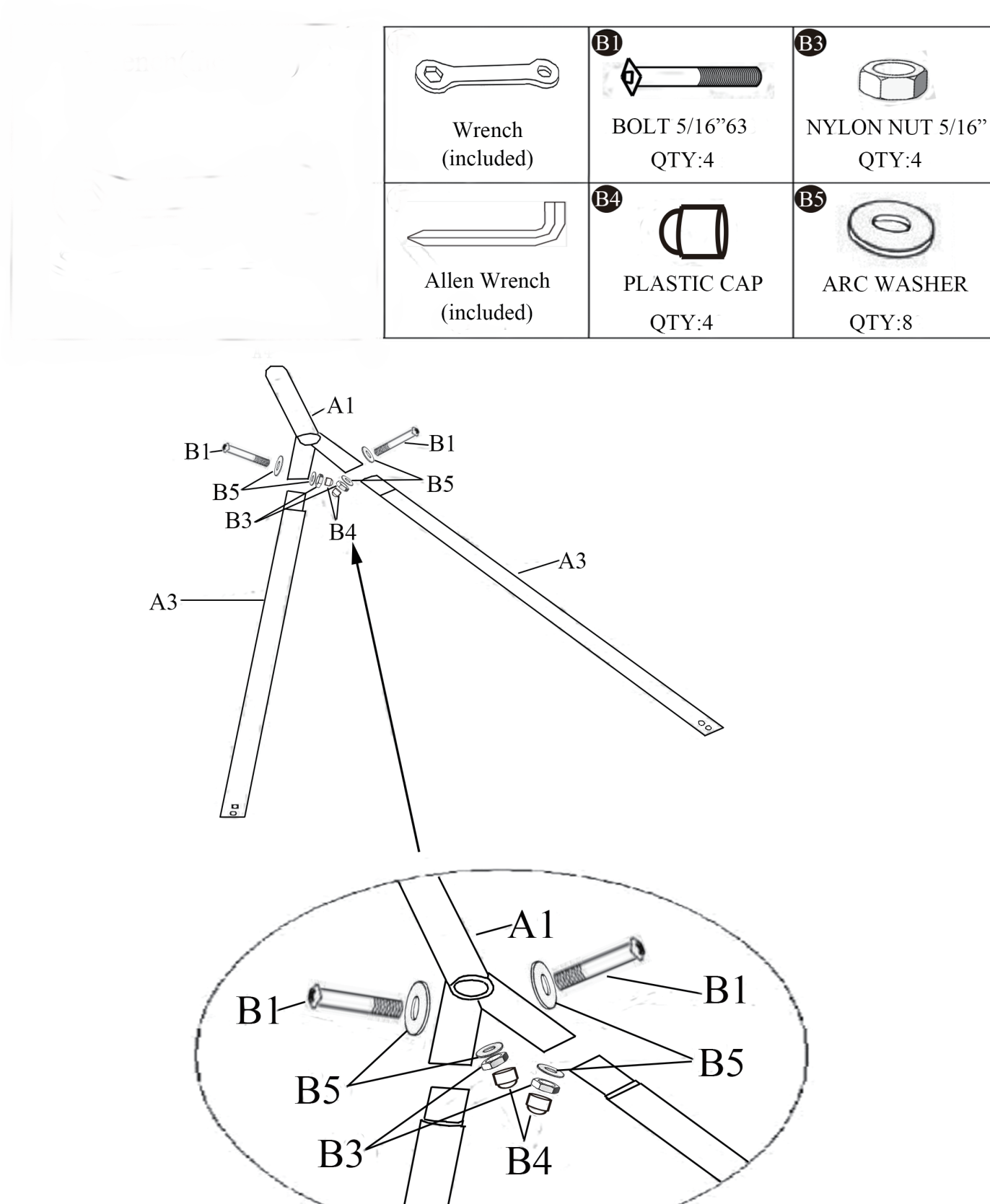


Step 2

Insert small end of A3 into the socket at the end of A1,align holes on them.

Secure with B1,B5,B3 and B4.

Then attach the other two pieces of on the other side to A2 the same.



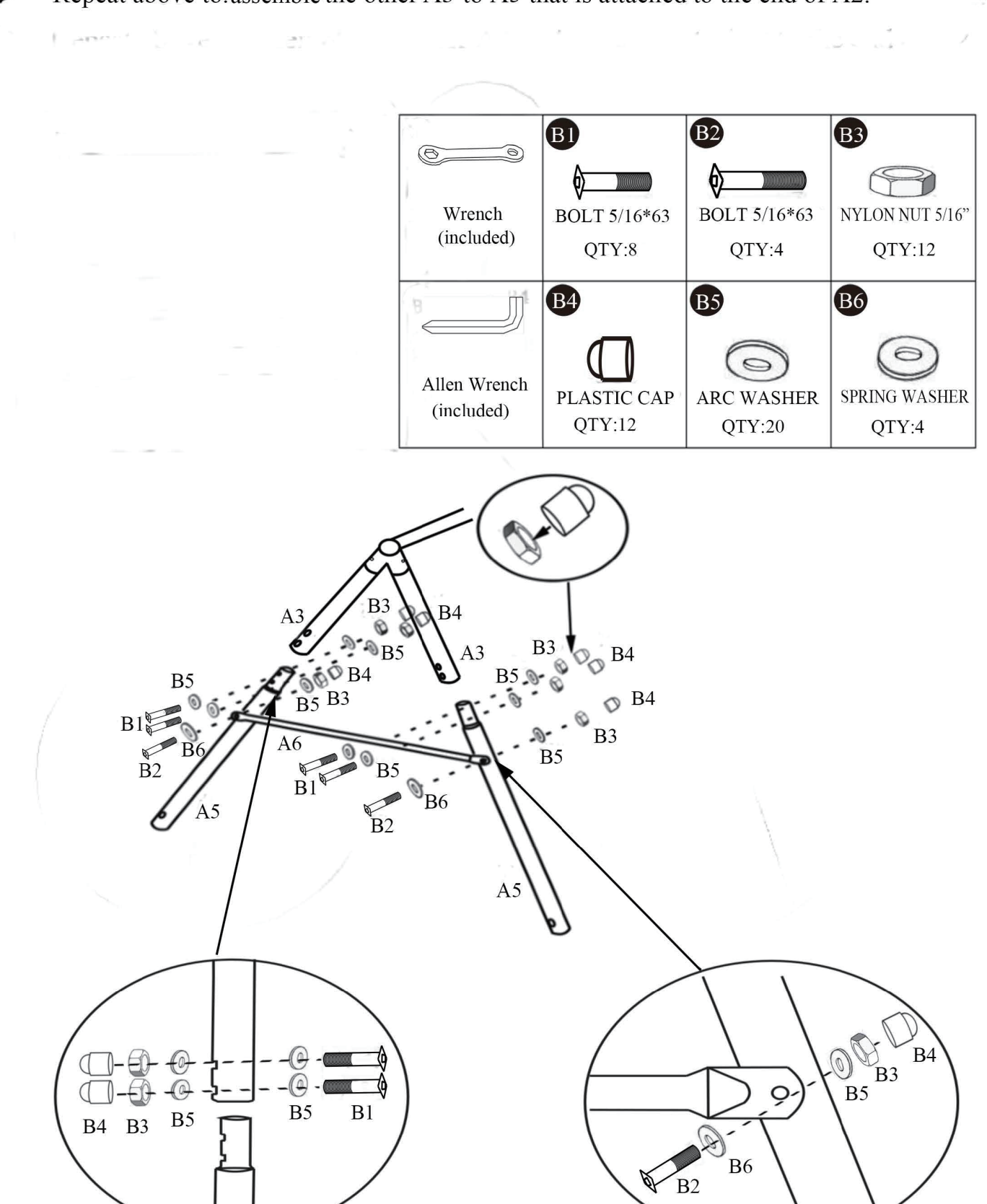
Step 3

Insert small end of A3 into the socket at the end of A5, align holes on them.

Secure with B1,B5,B3 and B4.

Attach A6 to A5,secure with B2,B6,B5,B3 and B4

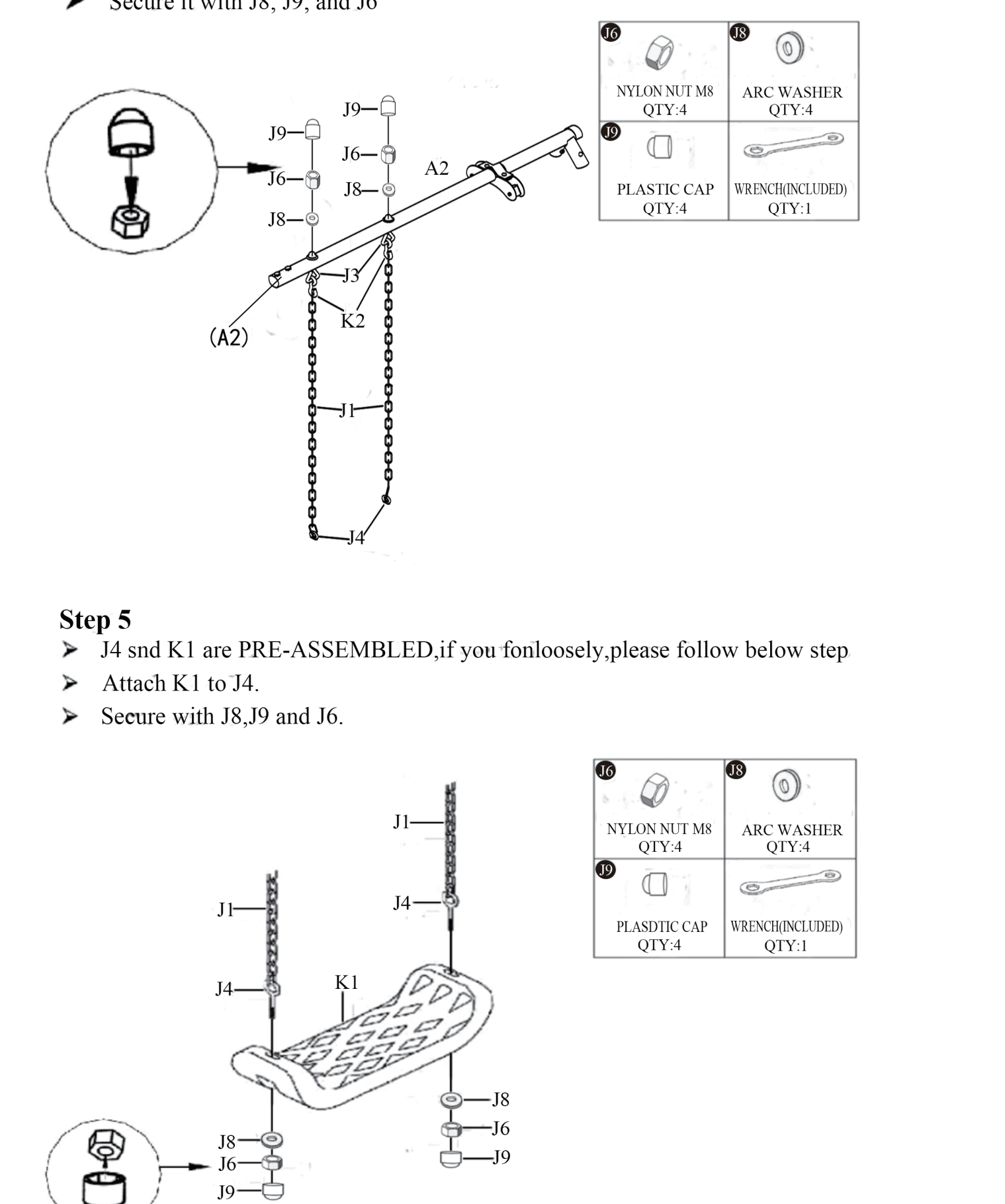
Repeat above to assemble the other A3 to A5 that is attached to the end of A2.



Step 4

Insert J3 into holes on A1, A2.

Secure it with J8, J9, and J6

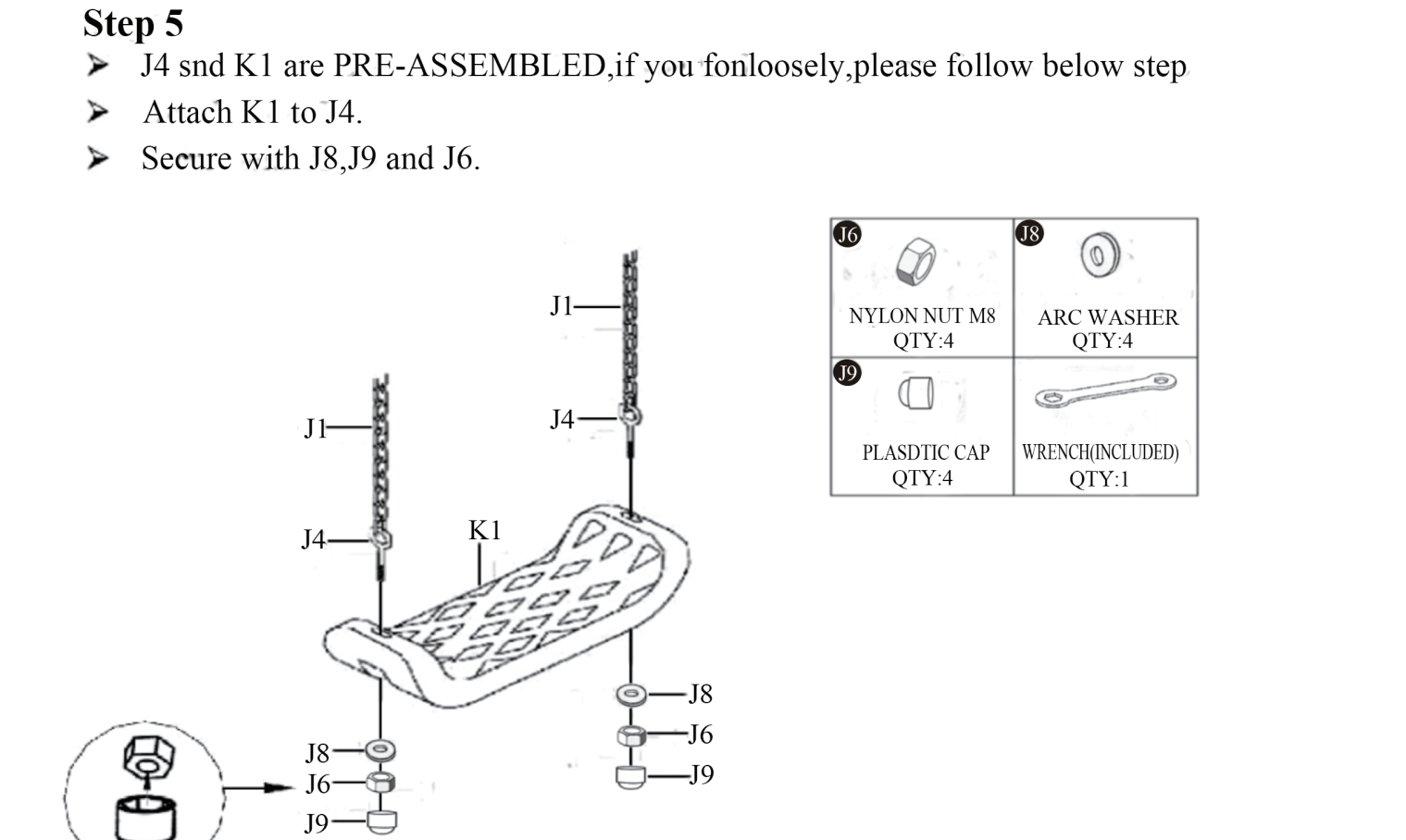


Step 5

J4 and K1 are PRE-ASSEMBLED.If you foolishly please follow step

Attach K1 to J4.

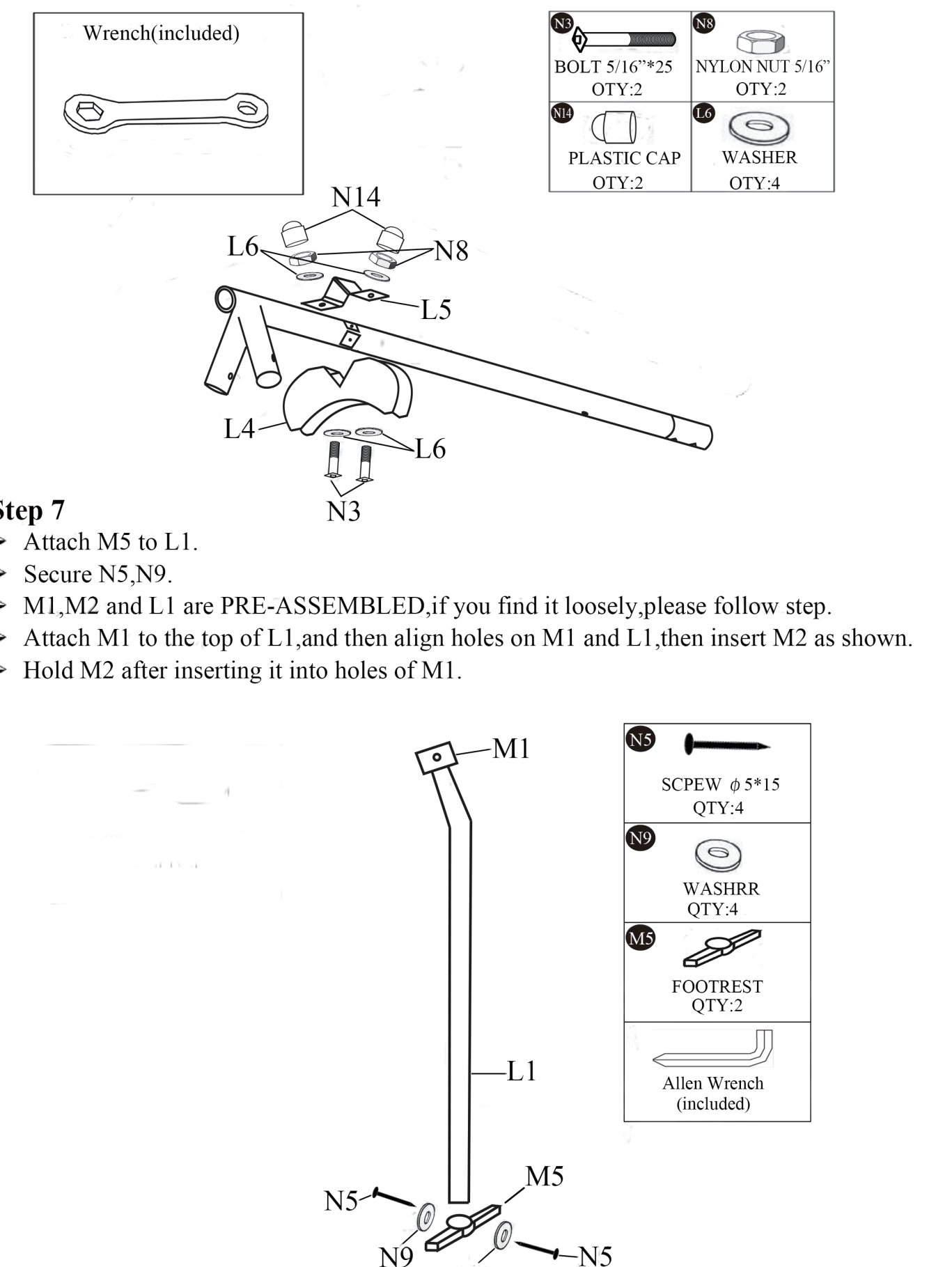
Secure with J8,J9 and J6.



Step 6

Attach L5,L4 and L6 to A2 as Shown.

Use special socket wrench and screw-driver to tighten the N3 and N8.



Step 7

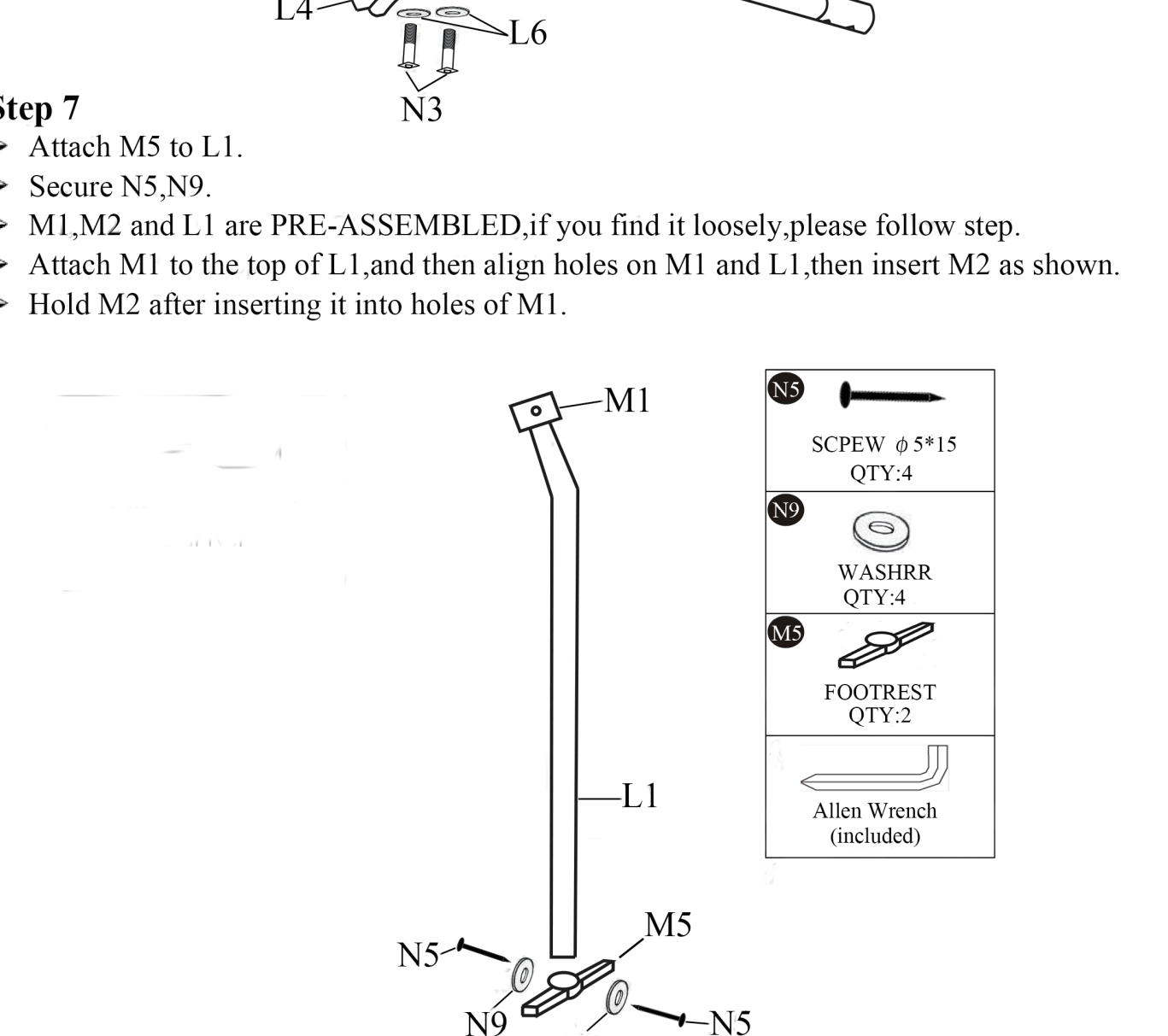
Attach M5 to L1.

Secure N5,N9.

M1,M2 and L1 are PRE-ASSEMBLED.If you find it loosely please follow step.

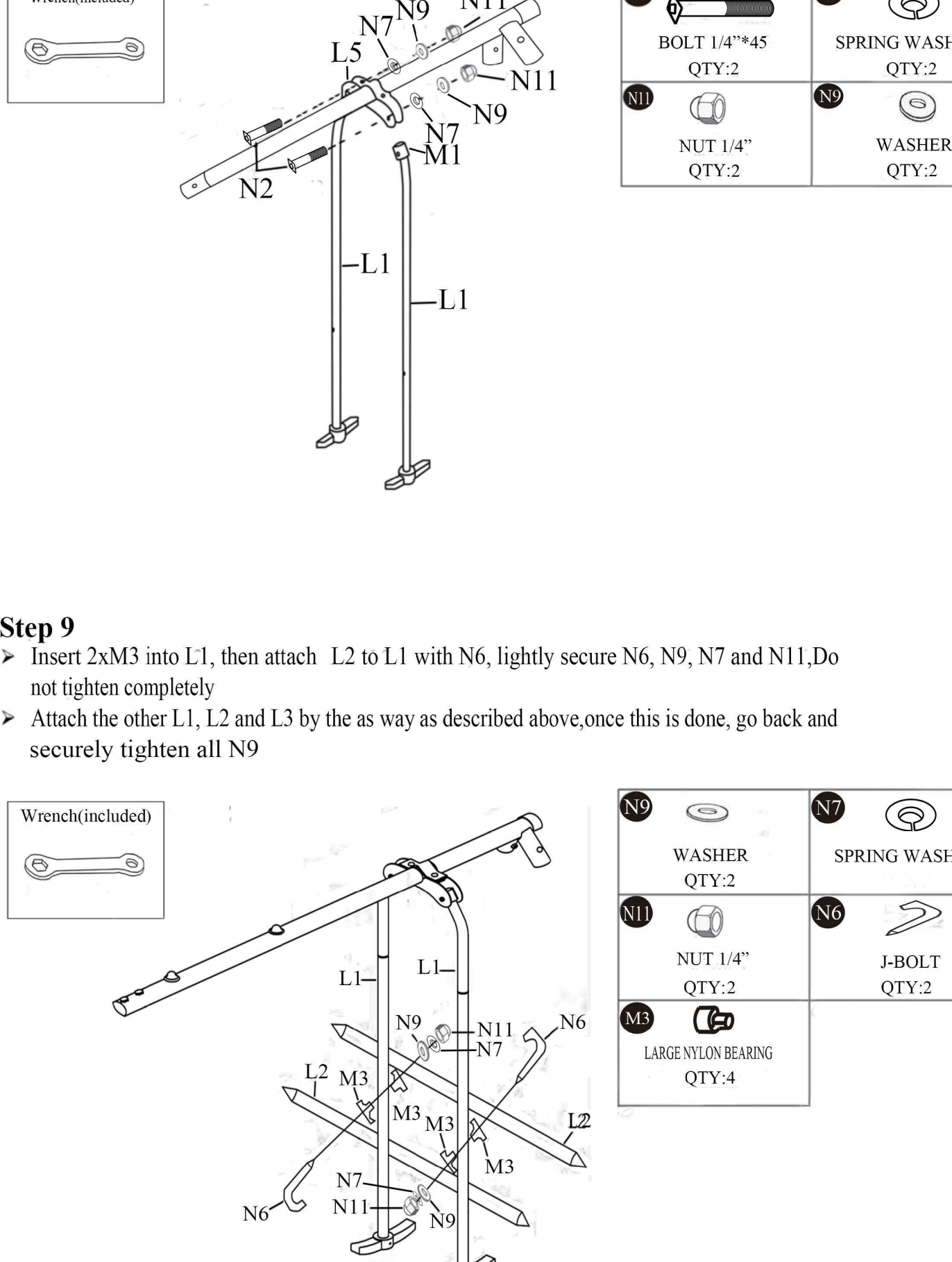
Attach M1 to the top of L1, and then align holes on M1 and L1,then insert M2 as shown.

Hold M2 after inserting it into holes of M1.



Step 8

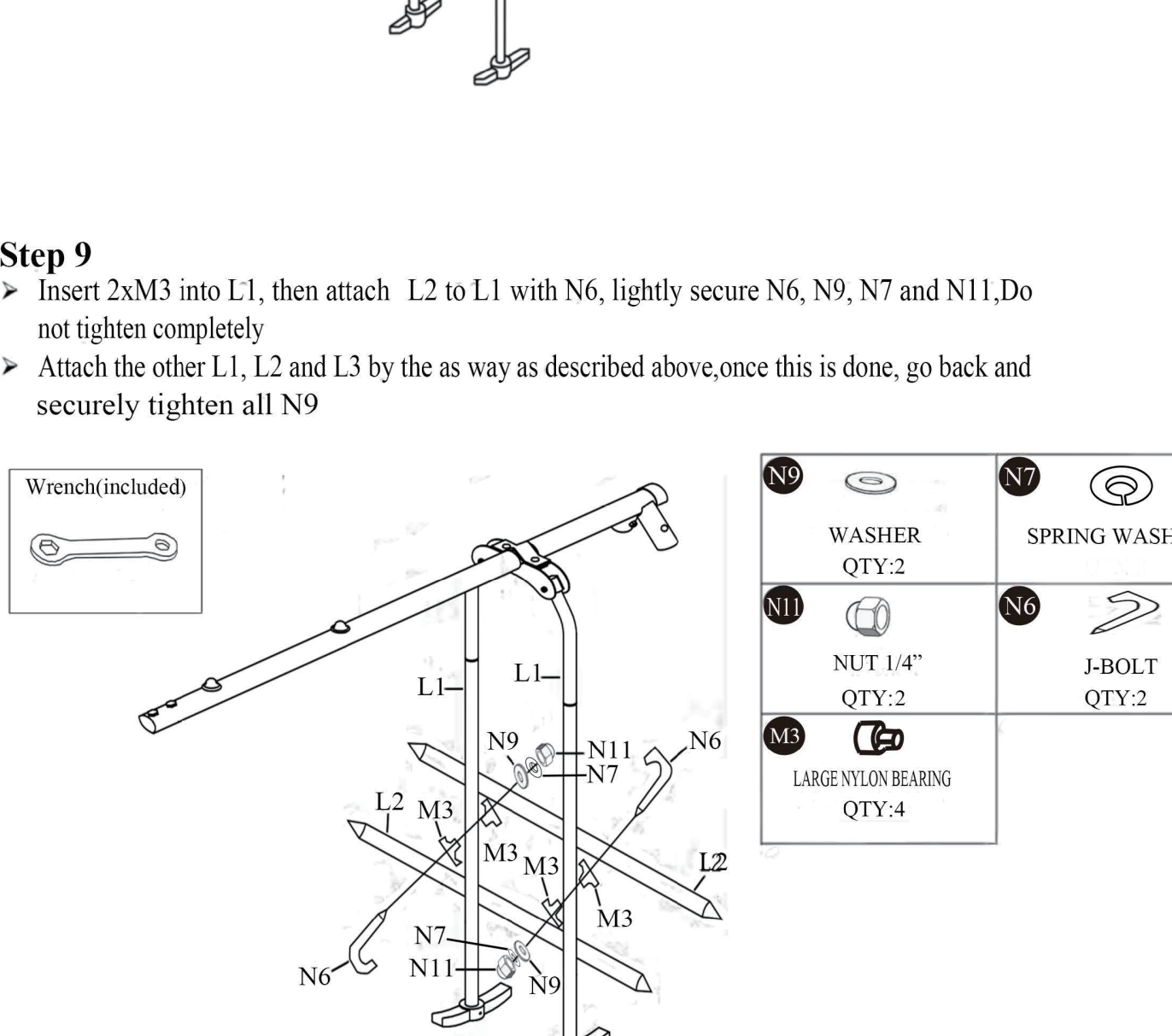
Attach L1 to L5,secure with N2,N7 and N11.



Step 9

Insert M2M into L1, then attach L2 to L1 with N6, lightly secure N6, N9, N7 and N11,Do not tighten completely.

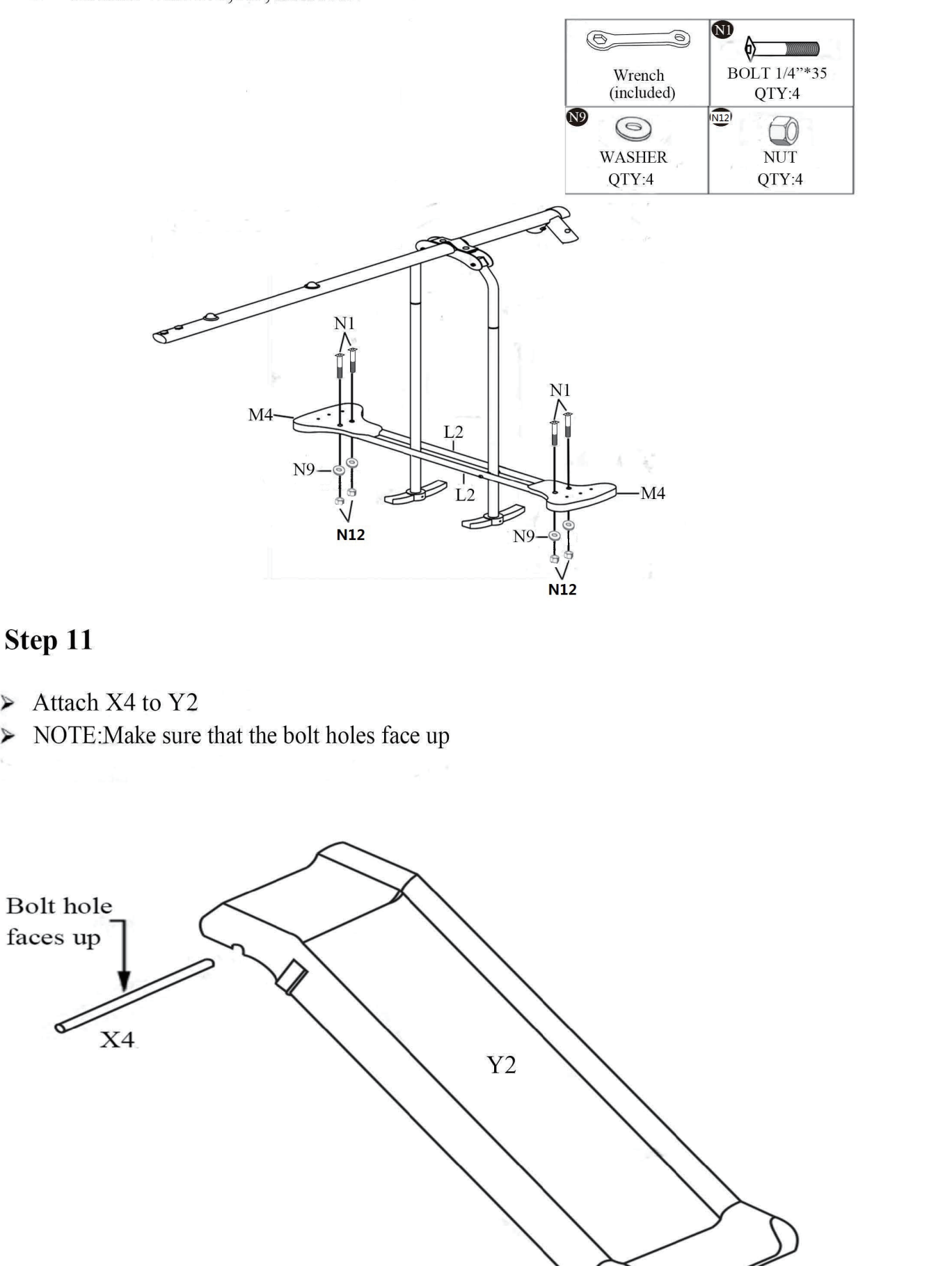
Attach the other L1, L2 and L3 by the as way as described above,once this is done, go back and securely tighten all N9



Step 10

Attach M4 to L2 with N1

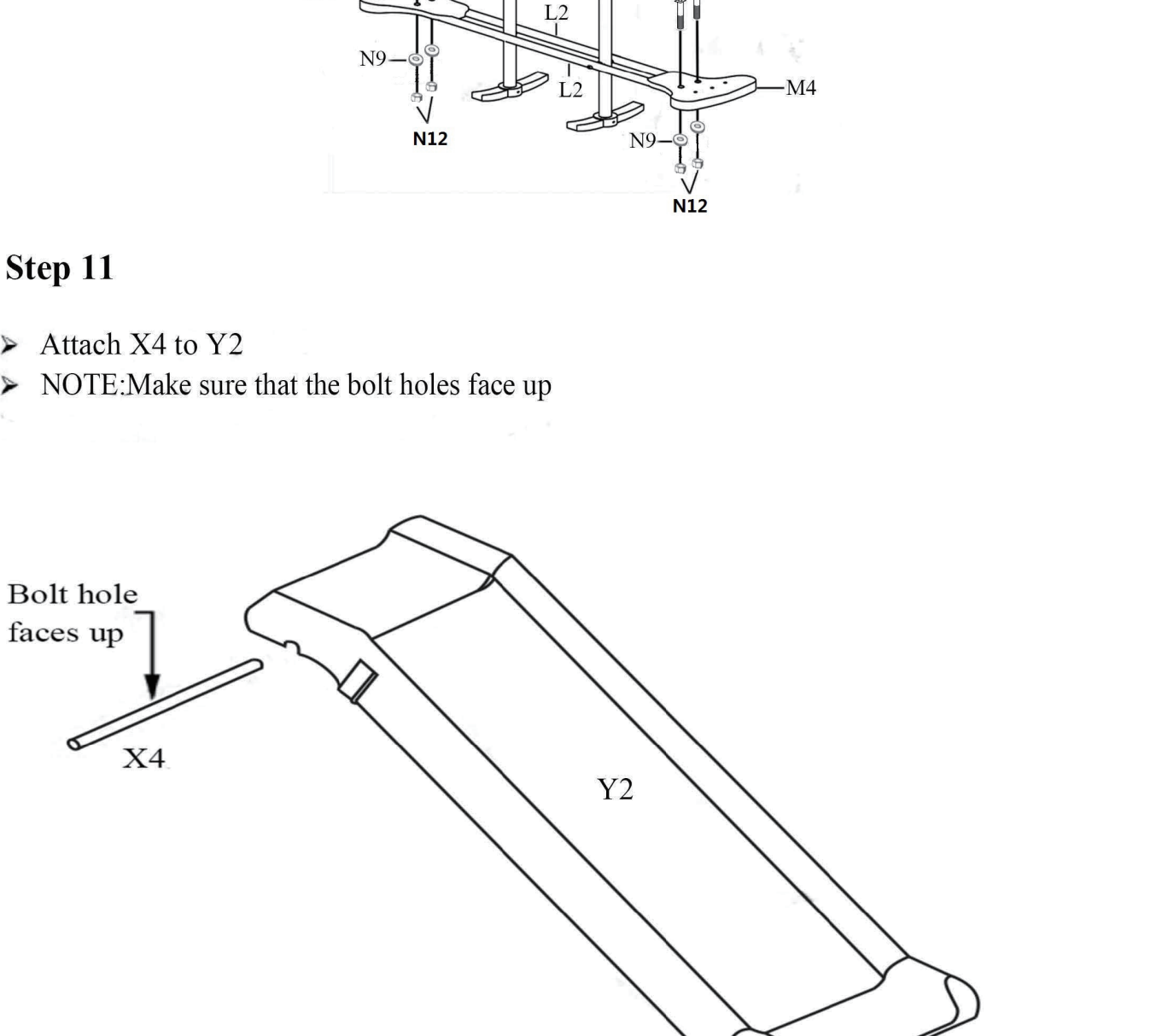
Secure with N1,N9, and N12



Step 11

Attach X4 to Y2

NOTE:M4 sure that the both holes face up



Step 12

Attach X1 to X1 and X2,secure with Z1,Z4 and Z5

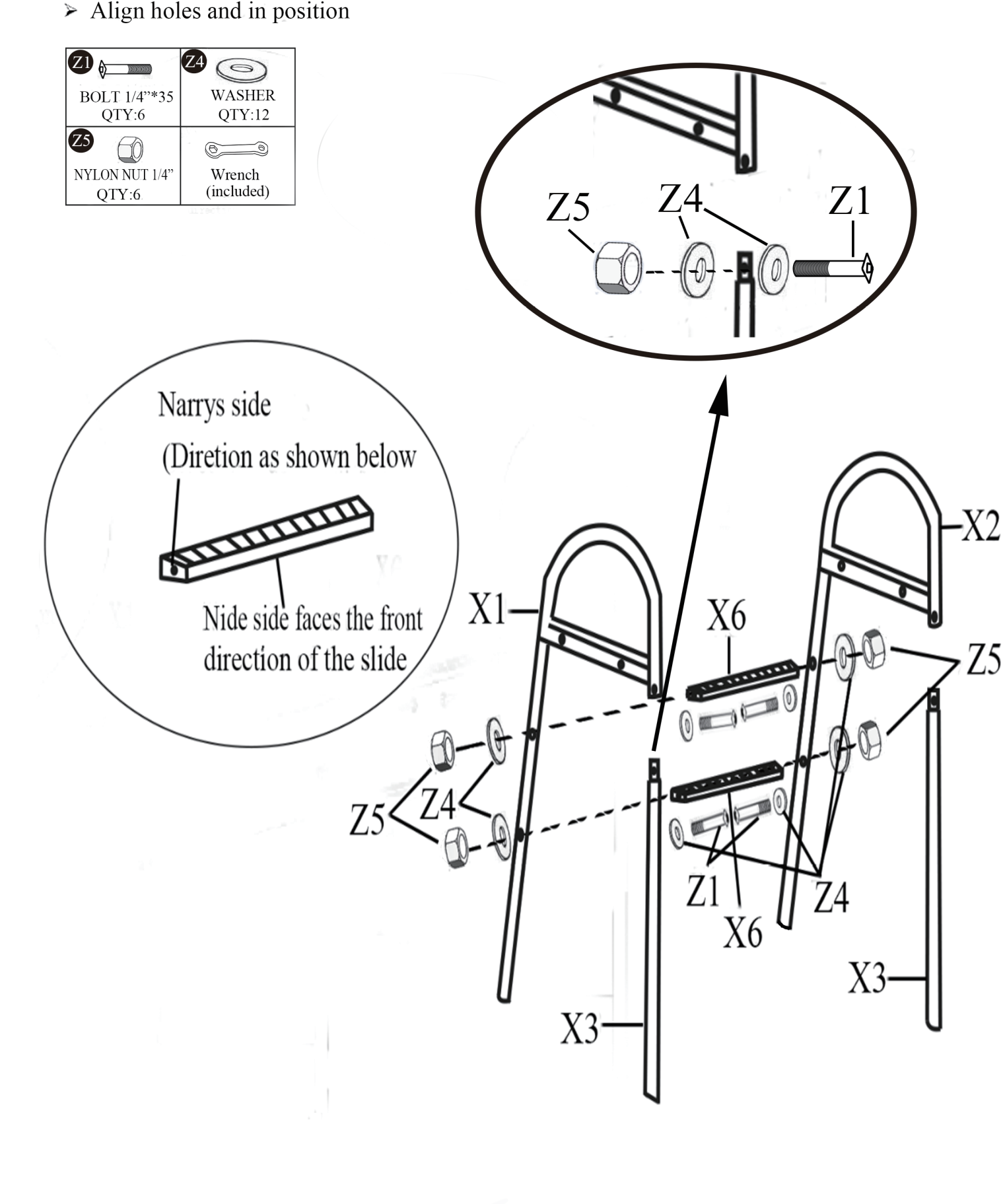
Secure each side using Z1,Z4 and Z5

Attach X3 to X1 and X2,secure with Z1,Z4 and Z5

Align holes and in position

Narrow side (Direction as shown below)

Nick side faces the front direction of the slide.

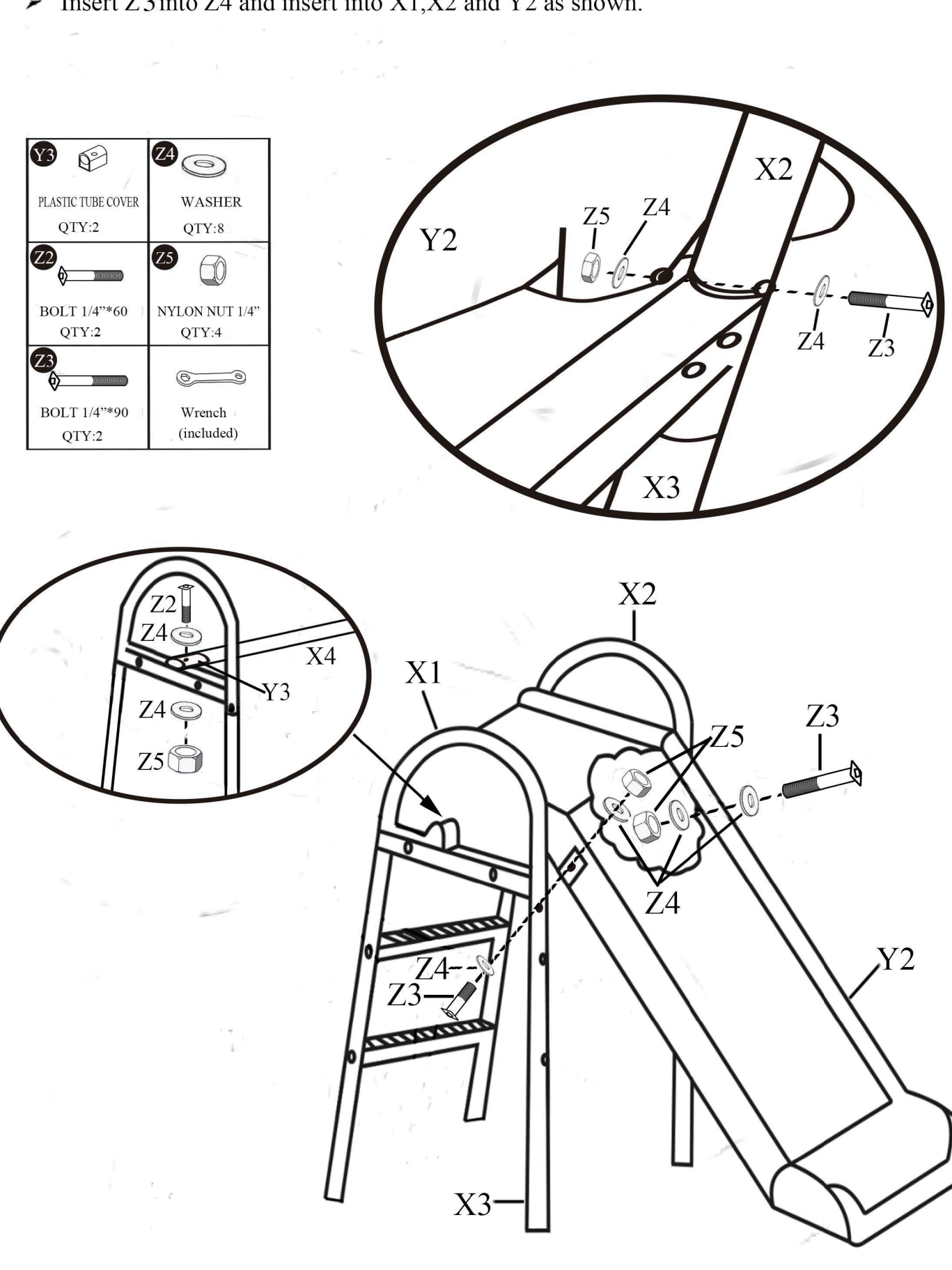


Step 13

Insert the end of X4 into X1, secure using Z2,Z4 and Z5.

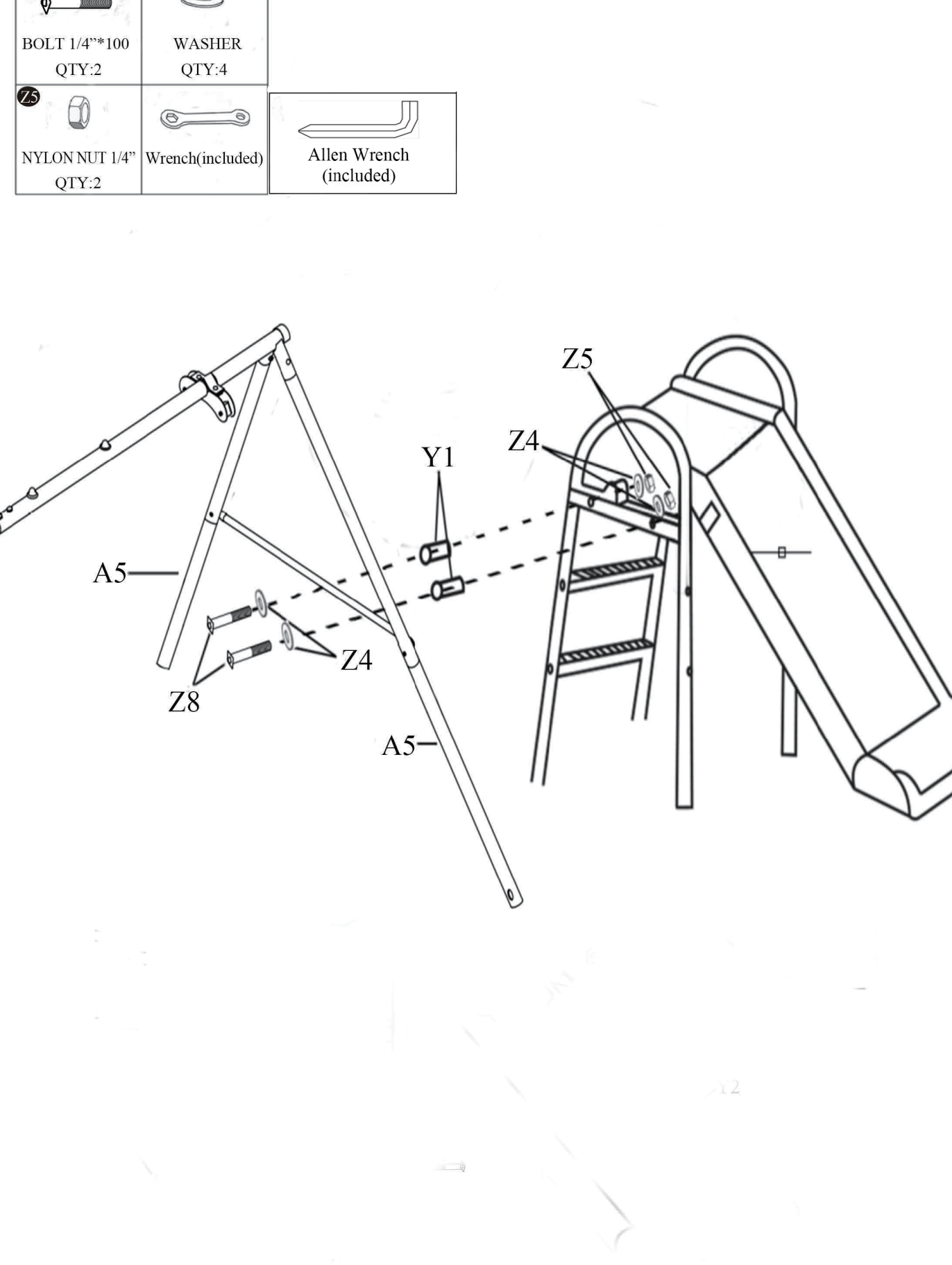
In the same way,fix the other end of X4 with X2.

Insert Z3 into Z4 and insert into X1,X2 and Y2 as shown.



Step 14

Attach Y1 to X1 and A7,secure using Z8 and Z4,Z5.



You have finished assembling your playground equipment. Now go back and securely tighten all bolts and nuts before using the playground equipment.

NOTE: Make sure to go back to check all hardware and securely tighten all bolts and nuts before using the playground equipment.

WARNING: Do not let children use the playground equipment until it is properly assembled and anchored.

Optional anchors

(Note:anchors are not included)

By anchoring your set with Ground Anchors,you will be able to move your gym set at a future date. Either method is suitable for hard soil (clay,etc.) If your soil is soft (sand,etc.), the corkscrew method is recommended. If you wish to permanently secure your gym set, either type of anchor may set in concrete. Ensure equipment is firmly anchored (cementing is usually recommended).When equipment is cemented, do not bury the legs more than three inches below the ground surface. This will ensure sufficient space remains under the swinging plays. Be certain that all anchoring devices (including concrete) are placed below the level of the playing surface or below ground level to prevent tripping.

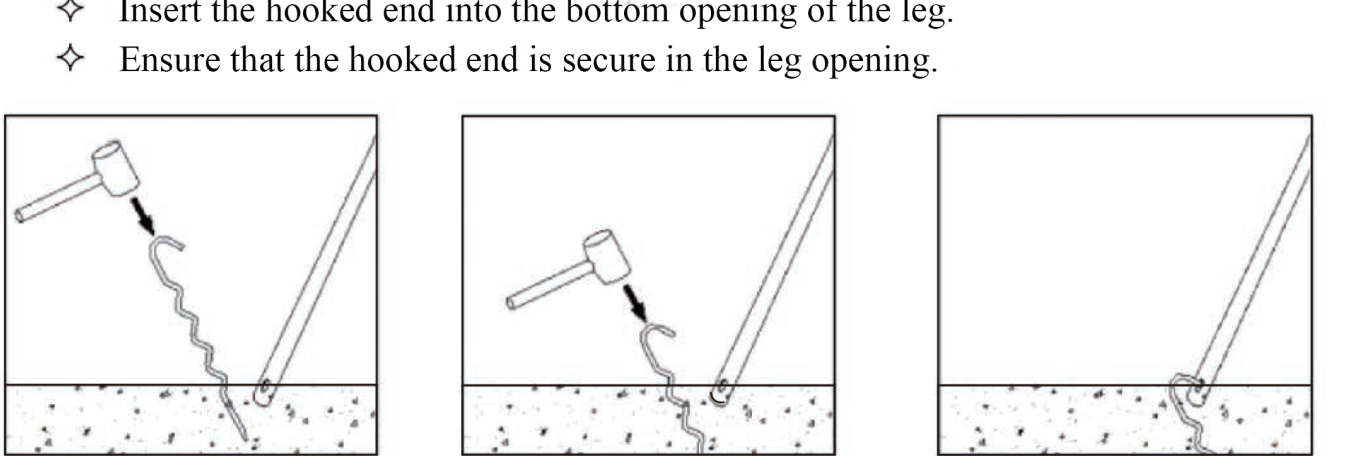
Corkscrews Anchors is not included

Be sure the swing set is located on level ground

Turn the corkscrew anchor into the ground until only the hooked end is above the ground next to the leg.

Insert the hooked end into the bottom opening of the leg

Ensure that the hooked end is secure in the leg opening.



NOTE:ANCHORING

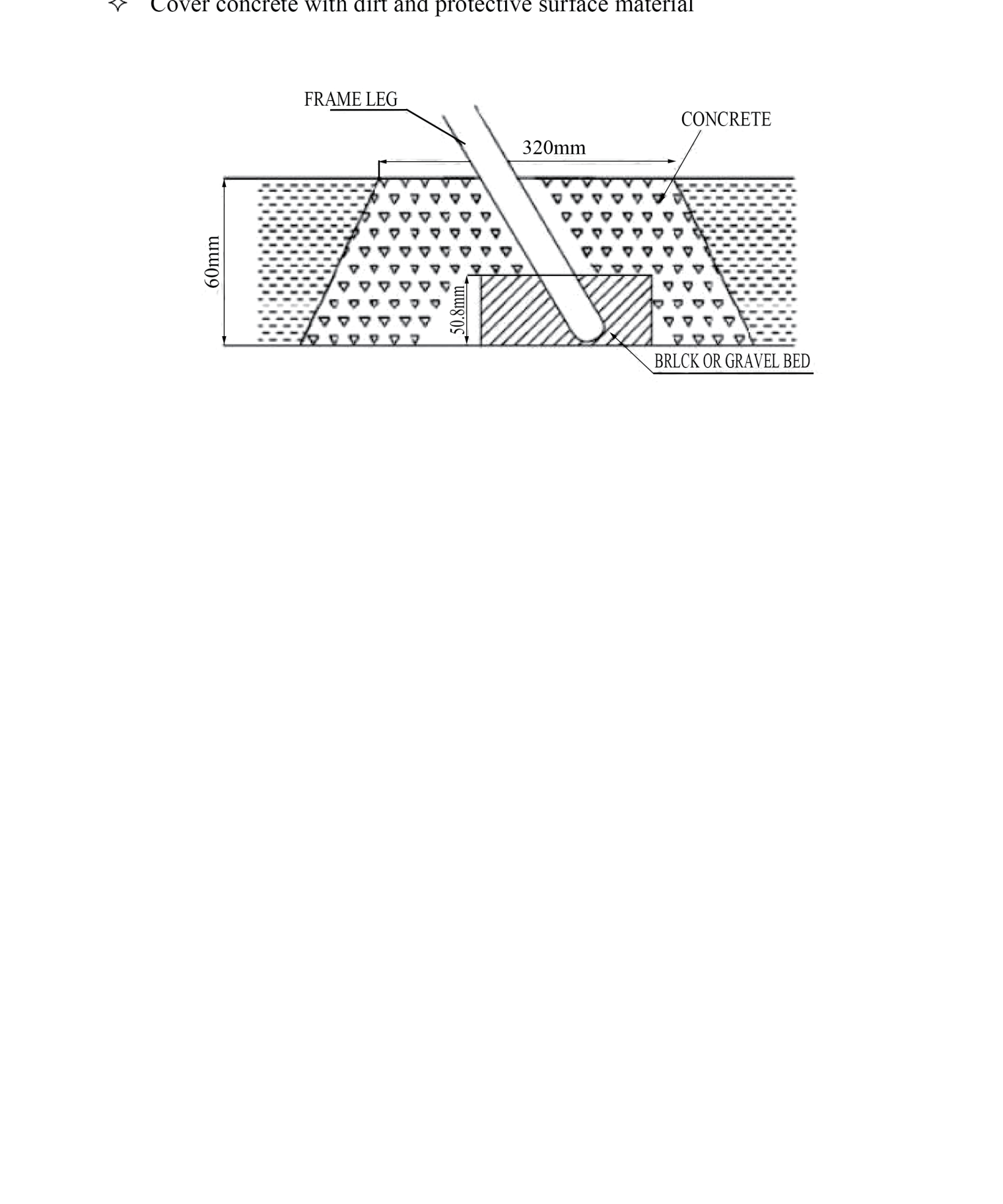
If the swing set is set up on grounds with sandy soil condition, it must be anchored with concrete footing(concrete not included)

Be sure the swing set is located on level ground

Dig holes around swing leg tube as shown below in drawing. As you dig down

and create a cylindrical hole, you should use shovel to carve out the lower part of the hole, to create a large diameter hole bottom

- Place 2 inches brick or gravel bed as shown in drawing below
- Use about 45lb of concrete per leg
- Cover concrete with dirt and protective surface material



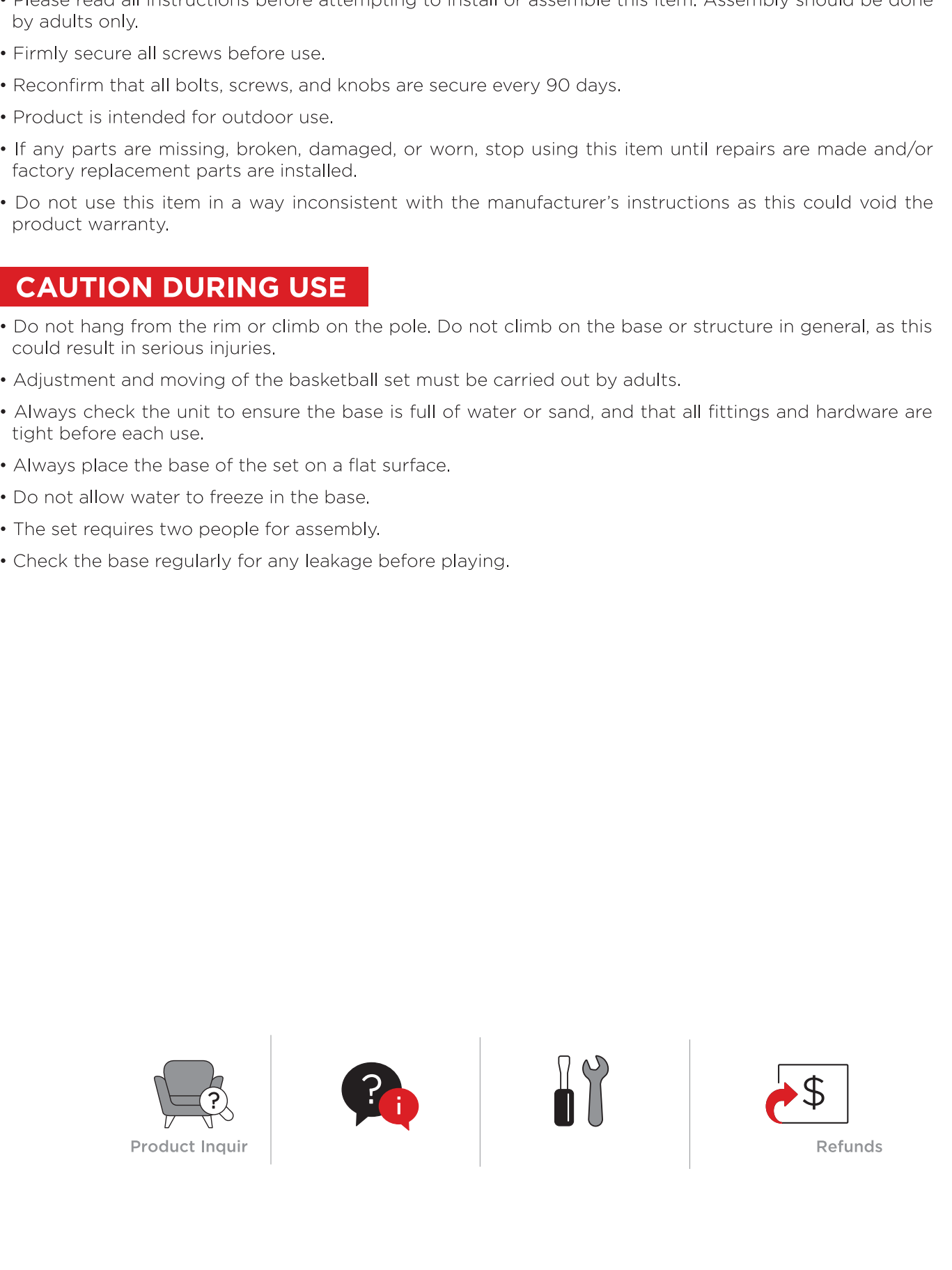
NOTICE

Please read all instructions before attempting to install or assemble this item. Assembly should be done by adults only.

- Firmly secure all screws before use.
- Insure that all bolts, screws, and brackets are secure every 90 days.
- Product is intended for outdoor use.
- If any parts are missing, broken, damaged, or worn, stop using this item until repairs are made and/or factory replacement parts are available.
- Do not use this item in a way inconsistent with the manufacturer's instructions as this could void the product warranty.

CAUTION DURING USE

- Do not allow children to sit or climb on the pole. Do not climb on the base or structure in general, as this could result in serious injury.
- Adjustment and moving of the basketball set must be carried out by adults.
- Always check the base to ensure the base is on a flat surface, and that all fittings and hardware are tight before each use.
- Always check the base to ensure the base is on a flat surface.
- Do not allow water to freeze in the base.
- The set requires two people for assembly.
- Check the base regularly for any leakage before playing.



Product Inquiry

return@...

18

19

20