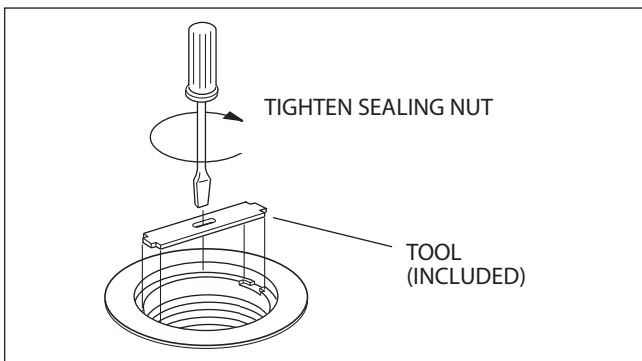


Remove the stainless steel strainer from the drain assembly. Disassemble the locknut and two gaskets from the back of the drain assembly. Apply a 1/4" bead of caulking (silicone) to the drain hole and insert the drain assembly. Replace the rubber washer, fiber washer, and lock nut in that order. Hand tighten the locknut. Remove excess sealant from finished side.



Remove the tool, locking mechanism and rubber seal from the inside of the shower drain. Lubricate the seal with common household liquid soap and slide it over the 2" drain pipe. With a large screwdriver and the tool provided, tighten the compression nut to seal the drain pipe connection. After the drain is fully installed check for proper drainage and inspect for leaks.

WESTBRASS

Fine Decorative Plumbing Since 1935

2429 E Olympic Blvd., Los Angeles, CA 90021

213-627-8441 | www.westbrass.com | info@westbrass.com