

Hampton Bay®  
Classic Collection

# Carriage House II 52" Ceiling Fan Owner's Manual

---

Ventilador de Techo de 132.1cm  
Carriage House II  
Manual del Propietario



# *Hampton Bay Lifetime Limited Warranty*

**\*The retailer warrants the fan motor to be free from defects in workmanship and material present at time of shipment from the factory for a lifetime after the date of purchase by the original purchaser.** The retailer also warrants that all other fan parts, excluding any glass or Plexiglas blades, to be free from defects in workmanship and material at the time of shipment from the factory for a period of one year after the date of purchase by the original purchaser. We agree to correct such defects without charge or at our option replace with a comparable or superior model if the product is returned to the retailer. To obtain warranty service, you must present a copy of the receipt as proof of purchase. All costs of removing and reinstalling the product are your responsibility. Damage to any part such as by accident or misuse or improper installation or affixing any accessories, is not covered by this warranty. Because of varying climatic conditions in the United States this warranty does not cover any changes in brass finish, including rusting, pitting, corroding, tarnishing or peeling. Brass finishes of this type give their longest useful life when protected from varying weather conditions. A certain amount of "wobble" is normal and should not be considered a defect. Servicing performed by unauthorized persons shall render the warranty invalid. **There is no other express warranty.** The retailer hereby disclaims any and all warranties, including but not limited to, those of merchantability and fitness for a particular purpose to the extent permitted by law. The duration of any implied warranty which cannot be disclaimed is limited to the time period as specified in the express warranty. Some states do not allow limitation on how long an implied warranty lasts, so the above limitation may not apply to you. **The retailer shall not be liable for incidental, consequential, or special damages arising out of or in connection with product use or performance except as may otherwise be accorded by law.** Some states do not allow the exclusion of incidental or consequential damages, so the above exclusion or limitation may not apply to you. This warranty gives specific legal rights, and you may also have other rights which vary from state to state. This warranty supersedes all prior warranties. Shipping costs for any return of product as part of a claim on the warranty must be paid for by the customer.

Date Purchased \_\_\_\_\_

Store Purchased \_\_\_\_\_

UL Model No. 52-CL

Serial No. \_\_\_\_\_

Vendor No. 11688

UPC 082392460082 (PBr., SBr.)

082392460099 (PBr., W)

082392460105 (Combo)

082392460112 (Aged Iron)

## *Lifetime Limited Warranty*

*(Lifetime warranty on motor)*

Safety Rules .....	Page 1
Unpacking Your Fan .....	Page 2
Installing Your Fan .....	Page 3
Operating Your Fan .....	Page 9
Care of Your Fan .....	Page 10
Troubleshooting .....	Page 11
Specifications .....	Page 12

## *Table of Contents*

## READ AND SAVE THESE INSTRUCTIONS

1. To reduce the risk of electric shock, insure electricity has been turned off at the circuit breaker or fuse box before beginning.
2. All wiring must be in accordance with the National Electrical Code (ANSI/NFPA 70-1999) and local electrical codes. Electrical installation should be performed by a qualified licensed electrician.
3. **WARNING:** To reduce the risk of electrical shock or fire, do not use this fan with any solid-state fan speed control device.
4. **WARNING:** To reduce the risk of fire, electrical shock, or personal injury, mount fan to an outlet box marked "acceptable for fan support" and use the mounting screws provided with the outlet box.
5. The outlet box and support structure must be securely mounted and capable of reliably supporting a minimum of 35 pounds.
6. The fan must be mounted with a minimum of 7 feet from the trailing edge of the blades to the floor.
7. Do not operate reversing switch while fan blades are in motion. Fan must be turned off and blades stopped before reversing blade direction.
8. Avoid placing objects in the path of the blades.
9. To avoid personal injury or damage to the fan and other items, be cautious when working around or cleaning the fan.
10. Do not use water or detergents when cleaning the fan or fan blades. A dry dust cloth or lightly dampened cloth will be suitable for most cleaning.
11. After making electrical connections, spliced conductors should be turned upward and pushed carefully up into outlet box. The wires should be spread apart with the grounded conductor and the equipment-grounding conductor on one side of the outlet box.
12. Electrical diagrams are for reference only. Light kits that are not packed with the fan must be UL Listed and marked suitable for use with the model fan you are installing. Switches must be UL General Use Switches. Refer to the instructions packaged with the light kits and switches for proper assembly. USE 60W MAX BULBS .

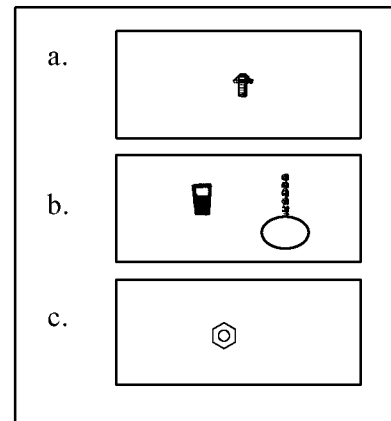
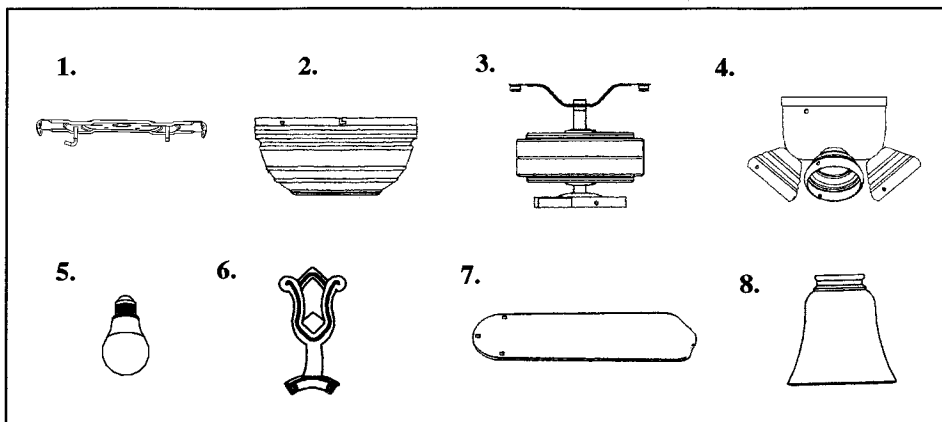
### WARNING

TO REDUCE THE RISK OF FIRE, ELECTRIC SHOCK OR PERSONAL INJURY, MOUNT FAN TO OUTLET BOX MARKED "ACCEPTABLE FOR FAN SUPPORT" AND USE THE MOUNTING SCREWS PROVIDED WITH THE OUTLET BOX.

### WARNING

TO REDUCE THE RISK OF PERSONAL INJURY, DO NOT BEND THE BLADE BRACKETS (ALSO REFERRED TO AS "FLANGES") DURING ASSEMBLY OR AFTER INSTALLATION. DO NOT INSERT OBJECTS IN THE PATH OF THE BLADES.

# *Safety Rules 1.*



Unpack your fan and check the contents. You should have the following items:

- |                     |                             |
|---------------------|-----------------------------|
| 1. Mounting Bracket | 6. Set of Blade Holders (5) |
| 2. Motor Housing    | 7. Set of Blades (5)        |
| 3. Fan Motor        | 8. Lamp Shade (4)           |
| 4. Light Kit        |                             |
| 5. Bulbs (4)        |                             |

IMPORTANT: THIS PRODUCT AND/OR COMPONENTS ARE COVERED BY ONE OR MORE OF THE FOLLOWING US PATENTS: 5,947,436; 5,988,580; 5,971,573; 6,010,306; 6,039,541; 6,046,416 AND OTHER PATENTS PENDING.

Loose Parts Bag Containing:

- a. **Blade attachment hardware**  
(15 screws)
- b. **Electrical Hardware**  
(3 plastic wire connectors, 1 pull chain for the fan, 1 pull chain for the light kit).
- c. **Locknut** (3)

## 2. Unpacking Your Fan

## Tools Required

Phillips screw driver, straight slot screw driver, adjustable wrench, step ladder, and wire cutters.

## Mounting Options

If there isn't an existing mounting box, then read the following instructions. **Disconnect the power by removing fuses or turning off circuit breakers.**

Secure the outlet box directly to the building structure. Use appropriate fasteners and building materials. The outlet box and its support must be able to fully support the moving weight of the fan (at least 35 lbs.). **Do not use plastic outlet boxes.**

**WARNING**  
TO REDUCE THE RISK OF FIRE, ELECTRIC SHOCK, OR OTHER PERSONAL INJURY, MOUNT FAN ONLY TO AN OUTLET BOX MARKED ACCEPTABLE FOR FAN SUPPORT AND USE THE MOUNTING SCREWS PROVIDED WITH THE OUTLET BOX. OUTLET BOXES COMMONLY USED FOR THE SUPPORT OF LIGHTING FIXTURES MAY NOT BE ACCEPTABLE FOR FAN SUPPORT AND MAY NEED TO BE REPLACED. CONSULT A QUALIFIED ELECTRICIAN IF IN DOUBT.

Figures 1 and 2 are examples of different ways to mount the outlet box.

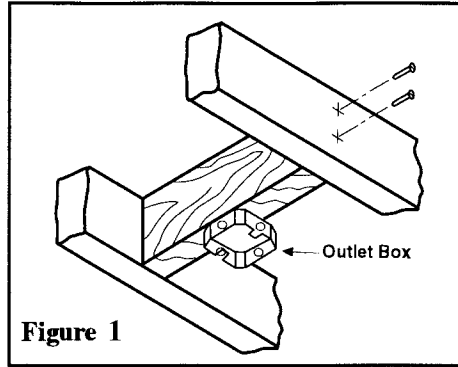


Figure 1

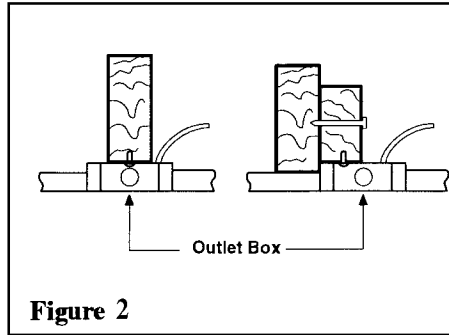


Figure 2

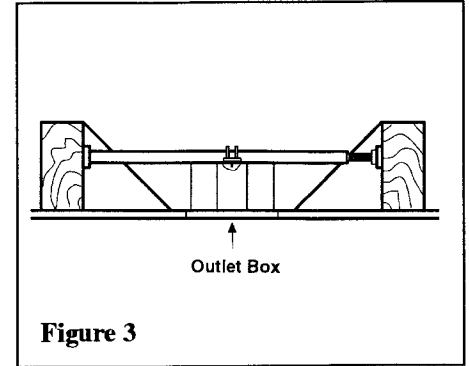


Figure 3

To hang your fan where there is an existing fixture but no ceiling joist, you may need an installation hanger bar as shown in Figure 3 (available at your Hampton Bay Retailer).

# *Installing Your Fan 3.*

# Hanging the Fan

**REMEMBER** to turn off the power. Follow the steps below to hang your fan properly.

- 1) Securely attach the mounting plate to the outlet box (Figure 4) using two screws (supplied with outlet box). Pull the black, white and ground wires out of the outlet box through the hole in the mounting plate and lay them to the side.

**NOTE:** For better fan performance, make sure the mounting plate is level. Additional washers (not included) may be needed to insert between the electrical box and mounting plate (Figure 4).

2. Carefully lift the fan motor assembly and engage the slot in the motor bracket with the hook on the mounting plate so that it is securely suspended (Figure 5). Then connect wiring to your fan according to section “Making the Electrical Connections”.
3. Once wiring is completed, lift the motor bracket so that the threaded studs on the mounting plate protrude through the slots in the motor bracket. (Figure 5). Securely tighten the three 1/4” locknuts (supplied) onto the threaded studs, then try to shake the motor bracket to ensure that the assembly is tight (Figure 6).

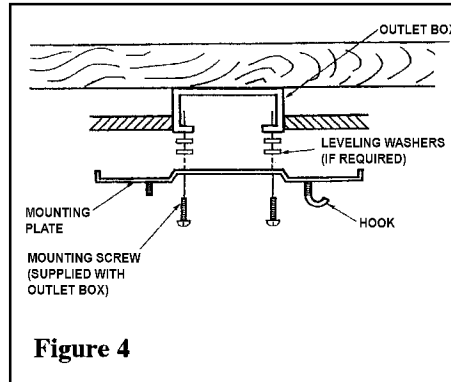


Figure 4

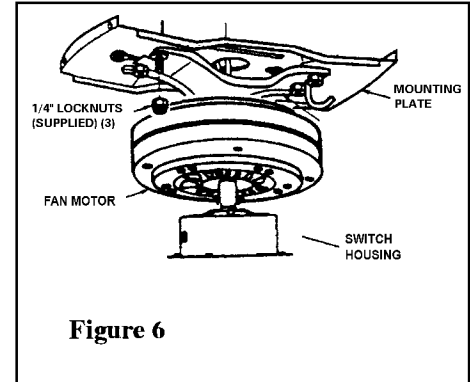


Figure 6

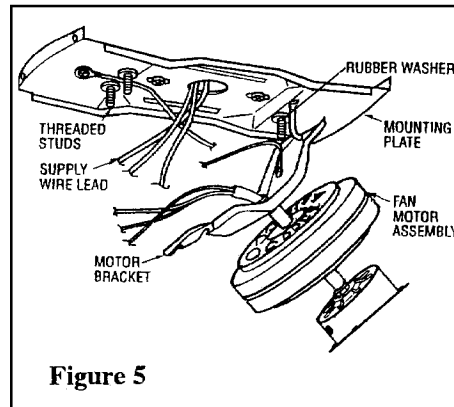


Figure 5

# Making the Electrical Connections

**REMEMBER** to disconnect the power.

If you feel that you do not have enough electrical wiring knowledge or experience, have your fan installed by a licensed electrician.

Follow the steps below to connect the fan to your household wiring. Use the wire connecting nuts supplied with your fan. Secure the connectors with electrical tape. Make sure there are no loose strands or connections.

1. Connect the ground conductor of the 120v supply (this may be a bare wire or a wire with green colored insulation) to the green ground leads from the motor bracket and the mounting plate of the fan (Figure 7)
2. Connect the fan motor white wire to the supply white (neutral) wire using a wire nut supplied (Figure 7).
3. Connect the fan motor black and blue wires to the supply black (hot) wire using a wire nut supplied (Figure 7).

4. After connecting the wires, spread them apart so that the green and white wires are on one side of the outlet box and the black wire is on the other side.
5. Turn the wire connecting nuts upward and push the wiring into the outlet box.

**WARNING**  
TO REDUCE THE RISK OF FIRE OR ELECTRIC SHOCK, DO NOT USE A SOLID STATE SPEED CONTROL WITH THIS FAN. IT WILL PERMANENTLY DAMAGE THE ELECTRONIC CIRCUITRY.

CHECK TO SEE THAT ALL CONNECTIONS ARE TIGHT, INCLUDING GROUND, AND THAT NO BARE WIRE IS VISIBLE AT THE WIRE NUTS, EXCEPT FOR THE GROUND WIRE.

ELECTRICAL DIAGRAMS ARE FOR REFERENCE ONLY. OPTIONAL USE OF ANY LIGHT KIT SHALL BE UL LISTED AND MARKED SUITABLE FOR USE WITH THIS FAN.

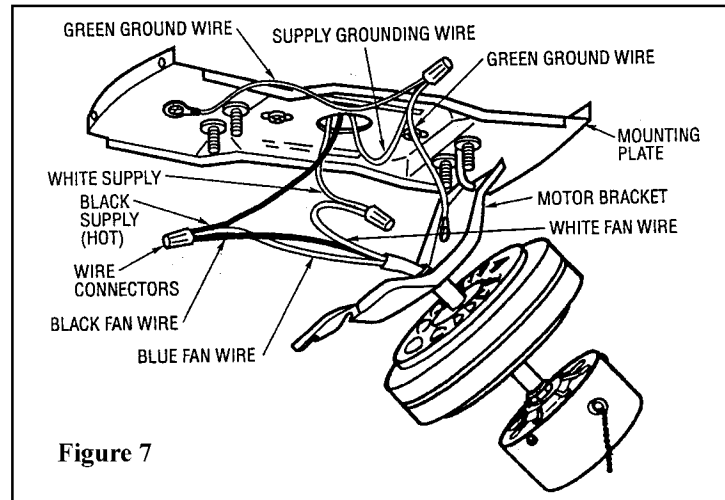
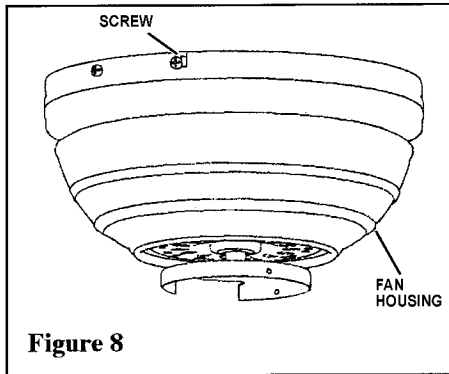


Figure 7



## Finishing the Fan Installation

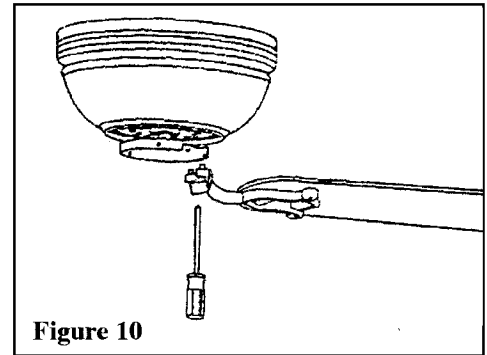
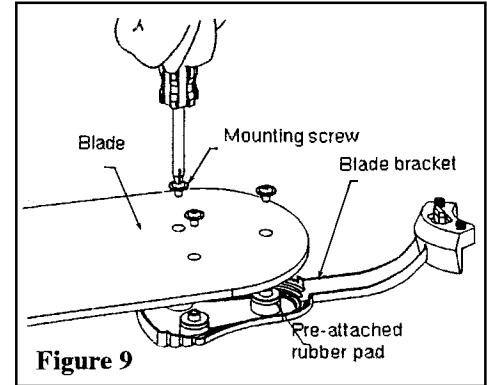
1. Match the four holes of the mounting bracket with the four holes in the side of the motor housing, and secure the housing in place with the four screws (Figure 8).
2. Attach the fan pull chain pendant to the pull chain on the switch assembly.



## Attaching the Fan Blades

**NOTE:** Your fan blades are reversible. Select the blade side finish which best accentuates your decor.

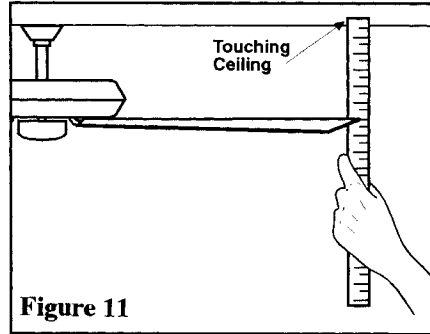
1. Attach blade to blade bracket using the screws as shown in Figure 9. Please note that the rubber washers are pre-attached to the blade bracket. Start a screw into the bracket. Repeat for the two remaining screws.
2. Tighten each screw securely.
3. Fasten the blade assembly to the motor by inserting the alignment posts into the slot on the bottom of the motor and tightening the motor screws. Please note that the motor screws are pre-attached into the blade brackets (Figure 10).
4. Repeat steps 1, 2 & 3 for the remaining blades.



# Blade Balancing

All blades are grouped by weight. Because natural woods vary in density, the fan may wobble even though the blades are weight matched. The following procedure should correct most fan wobble. Check after each step.

1. Check that all blade and blade bracket screws are secure.
2. Most fan wobble problems are caused when blade levels are unequal. Check this level by selecting a point on the ceiling above the tip of one of the blades. Measure from a point on the center of each blade to the point on the ceiling. Measure this distance as shown in Figure 11. Rotate the fan until the next blade is positioned for measurement. Repeat for each blade. Measurements deviation should be within  $1/8''$ . Run the fan for 10 minutes.



**Figure 11**

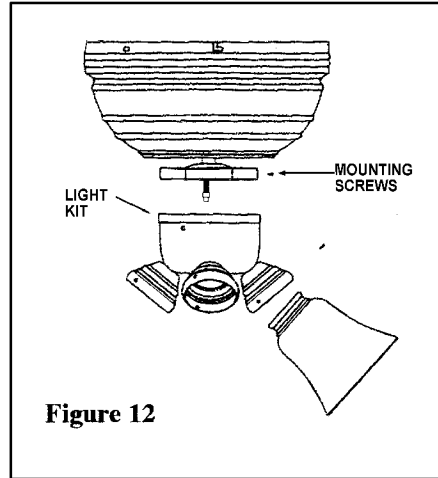
# Attaching the Light Kit

**Remember** to disconnect the power.

## FAN WITH LIGHT KIT

1. Remove the three mounting screws on the black bracket below the motor.
2. Connect the wires exiting the bottom of the motor with the light kit by connecting the molded adaptor plugs together.
3. Slide the switch cup light kit and secure it to the black bracket using the three screws that were removed in step 1. (Figure 12)
4. Attach the glass shade to the light kit with the three screws provided.(Figure 12)
5. With the power off, insert the light bulbs into the light sockets. Use 60W max bulbs (included).

**WARNING**  
TO REDUCE THE RISK OF PERSONAL INJURY,  
DO NOT OVERTIGHTEN THE SECURING  
SCREWS. OVERTIGHTENING THE SECURING  
SCREWS MAY CAUSE THE GLASS TO BREAK.



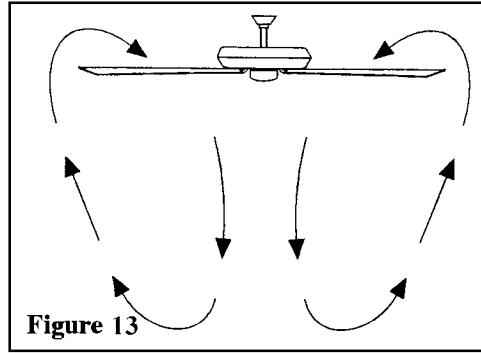
**Figure 12**

**If you need an extra switch cup (or cover) for the non-light option, please call 1-800-283-6513 (M – F 9:00am to 4:30 pm EST).**

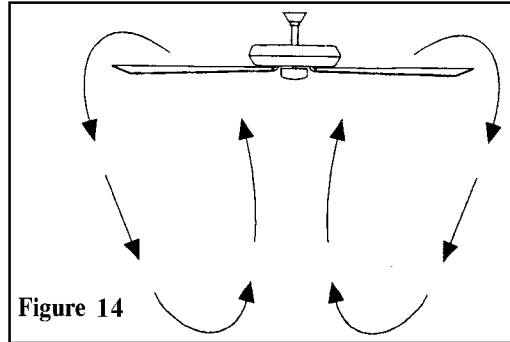
# Operating Your Fan

Turn on the power and check the operation of the fan. The pull chain controls the fan speed as follows: 1 pull - High, 2 pulls - Medium, 3 pulls - Low and 4 pulls - Off. Speed settings for warm or cool weather depend on factors such as the room size, ceiling height, number of fans, and so on.

The slide switch controls direction: forward (switch down) or reverse (switch up).



**Cool weather – (Reverse)** An upward airflow moves warm air off the ceiling area (Figure 14). This allows you to set your heating unit on a lower setting without affecting your comfort.



**NOTE**  
WAIT FOR FAN TO STOP COMPLETELY BEFORE SETTING SLIDE SWITCH TO REVERSE THE DIRECTION OF BLADE ROTATION.

**WARNING**  
TO REDUCE THE RISK OF PERSONAL INJURY, DO NOT BEND THE BLADE HOLDERS WHILE INSTALLING, BALANCING THE BLADES, OR CLEANING THE FAN. DO NOT INSERT FOREIGN OBJECTS BETWEEN ROTATING FAN BLADES.

**Warm weather – (Forward)** A downward air flow creates a cooling effect (Figure 13). This allows you to set your air conditioner on a higher setting without affecting your comfort.

## 9. Operating Your Fan

# Care Of Your Fan

1. Because of the fan's natural movement, some connections may become loose. Check the support connections, brackets, and blade attachments twice a year. Make sure they are secure. **(It is not necessary to remove fan from ceiling.)**

2. Clean your fan periodically to help maintain its new appearance over the years. Do not use water when cleaning. This could damage the motor, or the wood, or possibly cause an electrical shock.

3. Use only a soft brush or lint-free cloth to avoid scratching the finish. The plating is sealed with a lacquer to minimize discoloration or tarnishing.

4. You can apply a light coat of furniture polish to the wood for additional protection and enhanced beauty. Cover small scratches with a light application of shoe polish.

5. **There is no need to oil your fan.** The motor has permanently lubricated sealed ball bearings.

**IMPORTANT**  
**MAKE SURE THE POWER IS OFF AT THE ELECTRICAL PANEL BOX BEFORE YOU ATTEMPT ANY REPAIRS. REFER TO THE SECTION, "MAKING ELECTRICAL CONNECTIONS."**

**WARNING**  
**DO NOT USE A SOLID STATE SPEED CONTROL WITH THIS FAN. IT WILL PERMANENTLY DAMAGE THE ELECTRONIC CIRCUITRY.**

*Care of your Fan 10.*

## Problem

## Solution

Fan will not start.

1. Check main and branch circuit fuses or breakers.
2. **CAUTION:** Make sure main power is off.  
Check line wire connections to fan and switch wire connections in switch housing.

Fan sounds noisy.

1. Make sure all motor housing screws are snug.
2. Make sure the screws that attach the fan blade bracket to the motor hub are tight.
3. Make sure wire nut connections are not rattling against each other or the interior wall of the switch housing.  
**CAUTION:** Make sure main power is off.
4. Allow a 24-hour “breaking-in” period. Most noises associated with a new fan disappear during this time.
5. If using an optional Ceiling Fan light kit, make sure the tensioners or screws securing the glassware are tight. Check that the light bulb is also secure.
6. Make sure the canopy is a short distance from the ceiling. It should not touch the ceiling.
7. Make sure your ceiling box is secure and rubber isolator pads were used between the hanger bracket and ceiling box.
8. Make sure pull chains are not vibrating against glass or housing.

# *11. Troubleshooting*

FAN SIZE	SPEED	VOLTS	AMPS	WATTS	RPM	CFM	N.W.	G.W.	C.F.
52"	Low	120	0.26	15	70	1928	21.15 Lbs	23.80 Lbs	1.84
	Med.	120	0.38	32	115	3368			
	High	120	0.54	65	170	5158			

These are approximate measures. They do not include Amps and Wattage used by a light kit.

Distributed by Home Depot U.S.A., Inc.  
2455 Paces Ferry Rd. N.W. Atlanta, Georgia 30339

© 2006 Homer TLC, Inc. All Rights Reserved  
Hampton Bay is a registered trademark  
of Homer TLC, Inc.

*Specifications 12.*