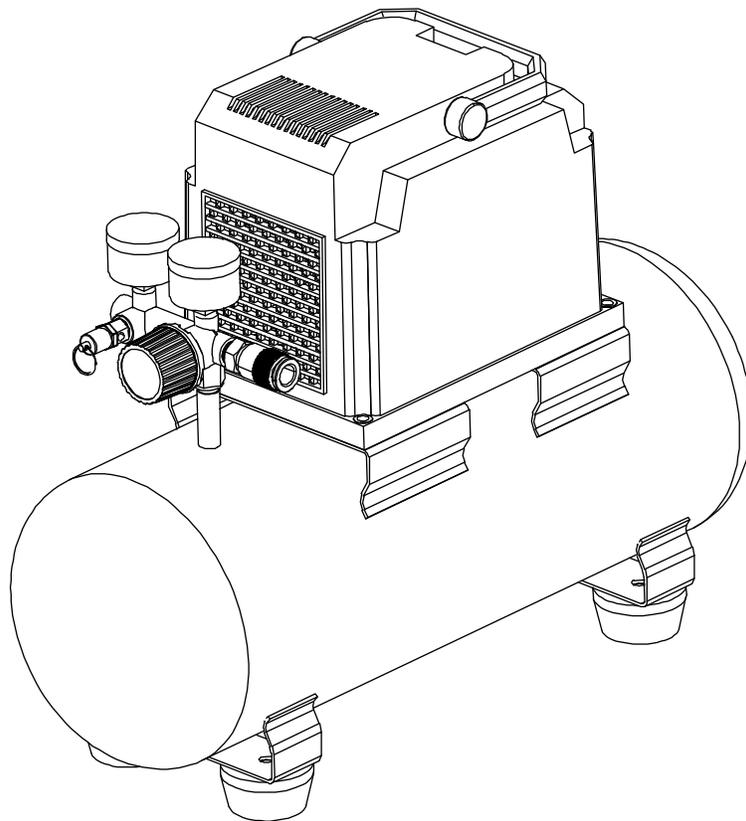




3 GALLON AIR COMPRESSOR

Operating Instructions and Parts Manual



Model: DC03009

EN



Please read and save these instructions. Read carefully before attempting to assemble, install, operate or maintain the product described.

Protect yourself and others by observing all safety information. Failure to comply with instructions could result in personal injury and/or property damage! Retain instructions for future reference.

REMINDER: Keep your dated proof of purchase for warranty purposes! Attach it to this manual or file it for safekeeping.

Model #: _____

Serial #: _____

Purchase Date: _____

For parts, product & service information
visit www.campbellhausfeld.com

Campbell Hausfeld
225 Pictoria Drive, Suite 210
Cincinnati, Ohio 45246

**REGISTER YOUR PRODUCT ONLINE NOW! www.campbellhausfeld.com/reg
READ AND FOLLOW ALL INSTRUCTIONS • SAVE THESE INSTRUCTIONS • DO NOT DISCARD**



BEFORE YOU BEGIN

Description

Oilless compressors are designed for do-it-yourselfers with a variety of home and automotive jobs. These units operate without oil. Compressed air from this unit will contain moisture. Install a water filter or air dryer if application requires dry air.

UNPACKING

After unpacking the unit, inspect carefully for any damage that may have occurred during transit. Check for loose, missing or damaged parts. Check to be sure all supplied accessories are enclosed with the unit. In case of questions, damaged or missing parts, please visit www.campbellhausfeld.com for customer assistance.

⚠ CAUTION

Do not lift or move unit without appropriately rated equipment. Be sure the unit is securely attached to lifting device used. Do not lift unit by holding onto tubes or coolers. Do not use unit to lift other attached equipment.

⚠ WARNING

Do not operate unit if damaged during shipping, handling or use. Damage may result in bursting and cause injury or property damage.

GENERAL SAFETY INSTRUCTIONS

Safety Guidelines

This manual contains information that is very important to know and understand. This information is provided for SAFETY and to PREVENT EQUIPMENT PROBLEMS. To help recognize this information, observe the following symbols.

⚠ DANGER

Danger indicates an imminently hazardous situation which, if not avoided, WILL result in death or serious injury.

⚠ WARNING

Warning indicates a potentially hazardous situation which, if not avoided, COULD result in death or serious injury.

⚠ CAUTION

Caution indicates a potentially hazardous situation which, if not avoided, MAY result in minor or moderate injury.

NOTICE

Notice indicates important information, that if not followed, may cause damage to equipment.

IMPORTANT or NOTE: Information that requires special attention.

Safety Symbols

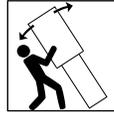
The following Safety Symbols appear throughout this manual to alert you to important safety hazards and precautions.



Wear Eye and Mask Protection



Read Manual First



Top Heavy



Risk of Fire



Risk of Moving Parts



Risk of Hot Parts



Risk of Explosion



Risk of Fumes



Risk of Pressure



Risk of Shock

California Proposition 65

⚠ WARNING



This product can expose you to chemicals including lead, which are known to the State of California to cause cancer and birth defects or other reproductive harm. For more information go to www.P65Warnings.ca.gov.

⚠ WARNING



You can create dust when you cut, sand, drill or grind materials such as wood, paint, metal, concrete, cement, or other masonry. This dust often contains chemicals known to cause cancer, birth defects, or other reproductive harm. Wear protective gear.

Illinois Lead Poisoning Prevention Act

⚠ WARNING



CONTAINS LEAD. MAY BE HARMFUL IF EATEN OR CHEWED. COMPLIES WITH FEDERAL STANDARDS.

Important Safety Information

Please read and save these instructions. Read carefully before attempting to assemble, install, operate or maintain the product described. Protect yourself and others by observing all safety information. Failure to comply with instructions could result in personal injury and/or property damage! Retain instructions for future reference.

This manual contains important safety, operational and maintenance information. If you have any questions, please visit www.campbellhausfeld.com for customer assistance.

⚠ DANGER BREATHABLE AIR WARNING

This compressor/pump is not equipped and should not be used "as is" to supply breathing quality air. For any application of air for human consumption, the air compressor/pump will need to be fitted with suitable in-line safety and alarm equipment. This additional equipment is necessary to properly filter and purify the air to meet minimal specifications for Grade D breathing as described in Compressed Gas Association Commodity Specification G 7.1, OSHA 29 CFR 1910. 134, and/or Canadian Standards Associations (CSA).

DISCLAIMER OF WARRANTIES

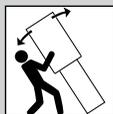
In the event the compressor is used for the purpose of breathing air application and proper in-line safety and alarm equipment is not simultaneously used, existing warranties shall be voided, and the manufacturer disclaims any liability whatsoever for any loss, personal injury or damage.



General Safety

Since the air compressor and other components (material pump, spray guns, filters, lubricators, hoses, etc.) used make up a high pressure pumping system, the following safety precautions must be observed at all times:

- Read all manuals included with this product carefully. Be thoroughly familiar with the controls and the proper use of the equipment.
- Follow all local electrical and safety codes as well as the United States National Electrical Codes (NEC) and Occupational Safety and Health Act (OSHA).
- Only persons well acquainted with these rules of safe operation should be allowed to use the compressor.
- Keep visitors away and NEVER allow children in the work area.
- Wear safety glasses and use hearing protection when operating the unit.
- Do not stand on or use the unit as a handhold.
- Before each use, inspect compressed air system and electrical components for signs of damage, deterioration, weakness or leakage. Repair or replace defective items before using.
- Check all fasteners at frequent intervals for proper tightness.
- Do not wear loose clothing or jewelry that will get caught in the moving parts of the unit.
- Keep fingers away from a running compressor; fast moving and hot parts will cause injury and/or burns.



⚠ WARNING

This compressor is extremely top heavy. Use care when moving the unit around and make sure the unit is placed on flat surface when operating.

⚠ WARNING

Never install a shut-off valve between the compressor pump and the tank.



⚠ WARNING

Motors, electrical equipment and controls can cause electrical arcs that will ignite a flammable gas or vapor. Never operate or repair in or near a flammable gas or vapor. Never store flammable liquids or gases in the vicinity of the compressor.



⚠ WARNING

Never operate compressor without a beltguard. This unit can start automatically without warning. Personal injury or property damage could occur from contact with moving parts.



⚠ CAUTION

Compressor parts may be hot even if the unit is stopped.

GENERAL SAFETY INSTRUCTIONS (CONTINUED)

- If the equipment should start to vibrate abnormally, STOP the engine/motor and check immediately for the cause. Vibration is generally an indication of trouble.
- To reduce fire hazard, keep engine/motor exterior free of oil, solvent, or excessive grease.
- Never attempt to adjust ASME safety valve. Keep safety valve free from paint and other accumulations.

⚠ WARNING

An ASME code safety relief valve with a setting no higher than 200 PSI MUST be installed in the tank for this compressor. The ASME safety valve must have sufficient flow and pressure ratings to protect the pressurized components from bursting.

⚠ CAUTION

See compressor specifications for maximum operating pressure. Do not operate with pressure switch or pilot valves set higher than the maximum operating pressure.

⚠ WARNING

Maximum operating pressure is 175 PSI for single stage compressors. Do not operate with pressure switch or pilot valves set higher than 175 PSI (2-stage).

⚠ WARNING

Never use plastic (PVC) pipe for compressed air. Serious injury or death could result.



⚠ WARNING

Never attempt to repair or modify a tank! Welding, drilling or any other modification will weaken the tank resulting in damage from rupture or explosion. Always replace worn, cracked or damaged tanks.

NOTICE

Drain liquid from tank daily.

- Tanks rust from moisture build-up, which weakens the tank. Make sure to drain tank regularly and inspect periodically for unsafe conditions such as rust formation and corrosion.
- Fast moving air will stir up dust and debris which may be harmful. Release air slowly when draining moisture or depressurizing the compressor system.

Spraying Precautions



⚠ WARNING

Do not spray flammable materials in vicinity of open flame or near ignition sources including the compressor unit.



- Do not smoke when spraying paint, insecticides, or other flammable substances.
- Use a face mask/respirator when spraying and spray in a well ventilated area to prevent health and fire hazards.
- Do not direct paint or other sprayed material at the compressor. Locate compressor as far away from the spraying area as possible to minimize overspray accumulation on the compressor.
- When spraying or cleaning with solvents or toxic chemicals, follow the instructions provided by the chemical manufacturer.

The **DANGER**, **WARNING**, **CAUTION**, and **NOTICE** notifications and instructions in this manual cannot cover all possible conditions and situations that may occur. It must be understood by the operator that caution is a factor which cannot be built into this product, but must be supplied by the operator.

**SAVE THESE INSTRUCTIONS
DO NOT DISCARD**

GETTING TO KNOW YOUR COMPRESSOR

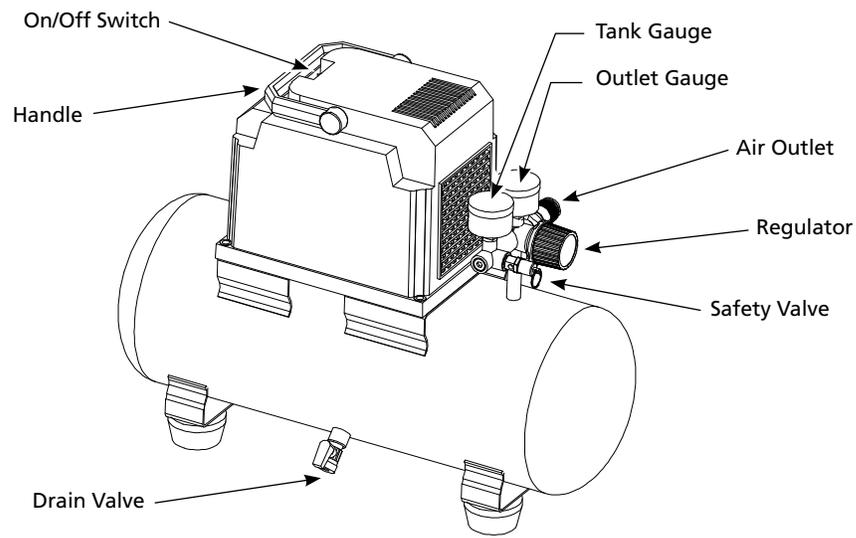


Figure 1

SPECIFICATIONS

	DC03009
Motor HP	0.33
Tank Capacity	3 gallon
Phase	Single
Number of Cylinders	1
Air Delivery @ 90 PSI	0.4 SCFM
Voltage	120
Amperes	3.5
Hertz (Cycles)	60
Maximum Pressure	125 PSI
Tank Outlet Size	1/4 in. Quick Connect
Unit Weight	23.6 pounds

DIMENSIONS

	DC03009
Length	20.08 in.
Width	7.28 in.
Height	16.34 in.

PSI (Pounds per Square Inch) - Measurement of the pressure exerted by the force of the air. The actual PSI output is measured by a pressure gauge on the compressor.

SCFM (Standard Cubic Feet per Minute) - Sometimes called CFM (Cubic Feet per Minute). Measurement of air volume delivered by the compressor.

Air Delivery - A combination of PSI and SCFM. The air delivery required by a tool is stated as (number) SCFM at (number) PSI. The combination of these figures determines what size unit is needed.

Air Tank Capacity - The volume of air stored in the tank and available for immediate use. A large tank allows the intermittent use of an air tool with an air requirement higher than the compressor's rated delivery.

Amps or Amperage - A measure of the electrical force minus the resistance on an electrical line. This air compressor requires 15 amps for operation. Be sure the compressor will operate on an electrical line with the proper amps. If other appliances operate on the same line, they will reduce the available amps. If the amperage is not adequate, the result will be blown fuses or tripped circuits.

Volts or Voltage - A measurement of the force of an electrical current.

Cut-in/Cut-off Pressure - Specific PSI at which a compressor starts and stops while refilling the air tank.

Regulator - The regulator controls the amount of air pressure at the hose outlet. Turning regulator knob clockwise (to the right) will increase air pressure at the outlet. Turning knob counterclockwise (to the left) will lower air pressure to the outlet. Turning knob fully counterclockwise will shut off flow of air completely.

Handle - Designed to move the compressor.

ASME Safety Valve - This valve automatically releases air if the tank pressure exceeds the preset maximum.

Exhaust Tube - This tube carries compressed air from the pump to the check valve. This tube becomes very hot during use. To avoid the risk of severe burns, never touch the exhaust tube.

Check Valve - One-way valve that allows air to enter the tank, but prevents air in the tank from flowing back into the compressor pump.

Air Outlet - A quick connect coupler designed to work in combination with a quick connect plug to quickly and easily join the compressor to an air hose.

GETTING TO KNOW YOUR COMPRESSOR (CONTINUED)



Pressure Gauges - These gauges will show air pressure in the compressor tank and at the compressor outlet.

Outlet Pressure Gauge - Will show air pressure at the outlet in pounds per square inch (PSI). Make sure this gauge reads ZERO (by adjusting regulator knob fully counterclockwise) before changing air tools or disconnecting air hose from outlet.



Tank Pressure Gauge - Will show air pressure in tank while the compressor is running, indicating compressor is building pressure properly. This gauge will show maximum pressure of compressor when it shuts off automatically at the pressure switch.

Drain Valve - This valve is located underneath the tank. Use this valve to drain moisture from the tank daily to reduce the risk of corrosion.

CAUTION

Drain liquid from tank daily.

Reduce tank pressure below 10 PSI, then drain moisture from tank daily to avoid tank corrosion. Drain moisture from tank by opening the drain valve located underneath the tank.

MOTOR SPECIFICATIONS AND ELECTRICAL REQUIREMENTS



Power Supply and Motor Specifications

NOTICE

To reduce the risk of electrical hazards, fire hazards or damage to the tool, use proper circuit protection.

NOTICE

Your tool is wired at the factory for operation using the voltage shown. Connect tool to a power line with the appropriate voltage and a 15-amp branch circuit. Use a 15-amp time delay type fuse or circuit breaker.

NOTICE

To reduce the risk of shock or fire, if power cord is worn or cut, or damaged in any way, have it replaced immediately.

The A-C motor used on this compressor is a permanent split capacitor non-reversible induction type, having the following specifications. It is wired at the factory for operation on 120V AC, 60 Hz service.

MOTOR SPECIFICATIONS

Voltage	120
Amperes	3.5
Hertz (Cycles)	60
Phase	Single
RPM	3400

General Electrical Connections

WARNING

WARNING: Risk of electric shock. Use GFCI. Use indoors only. Disconnect all connections before servicing. Use identical replacement parts. Servicing must be performed by a licensed, qualified electrician.

In the event of a malfunction or breakdown, grounding provides a path of least resistance for electrical current to reduce the risk of electric shock. This compressor is equipped with an electric cord having an equipment-grounding conductor and a grounding plug, as shown. The plug must be plugged into a matching outlet that is properly installed and grounded in accordance with all local codes and ordinances.

Improper connection of the equipment-grounding conductor can result in a risk of electric shock. The conductor with insulation having an outer surface that is green with or without yellow stripes is the equipment-grounding conductor. If repair or replacement of the electric cord or plug is necessary, do not connect the equipment-grounding conductor to a live terminal.

If the grounding instructions are not completely understood, or if you are in doubt as to whether the compressor is properly grounded check with a qualified electrician or service personnel.

Grounding Instructions

- This product is for use on a nominal 120 v circuit. It must be grounded. In the event of an electric short circuit, grounding reduces the risk of electrical shock by providing an escape wire for the electric current. Unit is equipped with a cord that has a grounding prong. It will fit one of the common outlet types shown in Figure 2. If plug will not fit in the desired outlet, have the plug or the outlet replaced by a qualified electrician.
- Always check with a qualified electrician or serviceman if the grounding instructions are not completely understood, or if in doubt as to whether the product is properly grounded. Do not modify the plug provided; if it will not fit the outlet, have the proper outlet installed by a qualified electrician.
- Use only a 3-wire extension cord that has a 3-blade grounding plug, and a 3-slot receptacle that accepts the plug on the product. Make sure your extension cord is not damaged. When using an extension cord, be sure to use one heavy enough to carry the current your product draws. For lengths less than 25ft. 16-3 AWG extension cords shall be used. An undersized cord results in a drop in the voltage and loss of power and overheating. (NOTICE: Table 1 shows the correct size to use depending on cord length. When in doubt, use the next heavier gauge. The smaller the gauge number, the heavier the cord.)
- Use of an extension cord may cause excess heat to motor. This could lead to tripped breaker (at electrical panel) or tripped thermal overload (on compressor motor). If this occurs, eliminate extension cord and plug compressor directly into electrical outlet. Avoid using extension cords; use longer air hose(s) instead.

If repair or replacement of the cord or plug is necessary, do not connect the grounding wire to either flat blade terminal. The wire with insulation having an outer surface that is green with or without yellow stripes is the grounding wire.

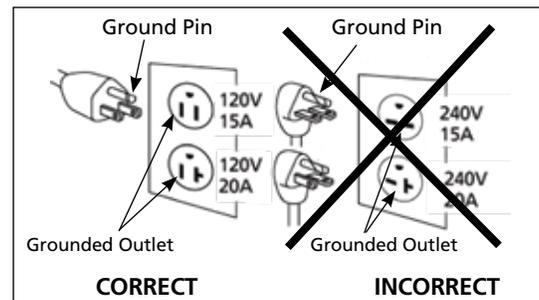


Figure 2 - Grounding Method

WARNING

WARNING: Risk of electric shock. Improper use of grounding plug can result in a risk of electrical shock. Plug must be plugged into an outlet that is properly installed and grounded in accordance with local codes and ordinances

NOTICE

NOTICE: Do not use grounding adapter.

MOTOR SPECIFICATIONS AND ELECTRICAL REQUIREMENTS (CONTINUED)

Extension Cords

1. The air compressor should be located where it can be directly plugged into an outlet. Although extension cord is not recommended, if you must use only a 3 wire extension cord that has a 3 blade grounding plug and a 3 slot receptacle that accepts the plug on the product. When using an extension cord be sure to use one heavy enough to carry the current the product draws.
2. To avoid loss of power and overheating, additional air hose must be used to reach work area instead of extension cords.

AMP RATING RANGE	VOLTAGE	CORD LENGTH IN FEET		
	120V	25 ft	50 ft	100 ft
3 - 4		18	18	16

120 volt, 60Hz Information

The plug supplied on your compressor may not fit into the outlet you are planning to use. Your local electrical code may require slightly different power cord plug connections. If these differences exist refer to and make the proper adjustments per your local code before your compressor is plugged in and turned on.

Plugs and Receptacles

1. If the plug on the electrical cord of the unit is unfamiliar to you or will not fit your particular receptacle, Figure 2 will help you understand why by illustrating the different plugs and the voltages they are to be used with.
2. Make sure that the product is connected to an outlet having the same configuration as the plug.
3. The receptacles must be connected to circuits rated to carry at least the voltage and amperages shown.
4. NEVER have a receptacle replaced with one of a higher amperage before determining the change can be made according to all electrical codes affecting your particular area. The installation should be made by a qualified electrician. If the products must be reconnected for use on different types of circuits, the re-connection should be made by qualified personnel.

⚠ WARNING

Overheating, short circuiting and fire damage will result from inadequate wiring.

Electrical Installation

⚠ WARNING

All wiring and electrical connections should be performed by a qualified electrician. Installation must be in accordance with local codes and national electrical codes.

Wiring

1. Local electrical wiring codes differ from area to area. Source wiring, plug and protector must be rated for at least the amperage and voltage indicated on motor nameplate, and meet all electrical codes for this minimum.
2. Use a slow blow fuse or a circuit breaker.
3. This product is for use on a nominal 120 volt circuit and has a grounding plug that looks like the plug illustrated in Figure 2.

Make sure the product is connected to an outlet having the same configuration as the plug. This product must be grounded. In the event of an electrical short circuit, grounding reduces risk of electrical shock by providing an escape wire for electric current. This product is equipped with a cord having a grounding wire with an appropriate grounding plug. Plug must be plugged into an outlet that is properly installed and grounded in accordance with all local codes and ordinances.

⚠ CAUTION

Overheating, short circuiting and fire damage will result from inadequate wiring.

Do not modify the plug provided. If it will not fit the outlet, have the proper outlet installed by a qualified electrician.

⚠ CAUTION

If not properly grounded, this tool can cause an electrical shock, particularly when used in damp locations, in proximity of plumbing, outdoors.

⚠ DANGER

Do not use a grounding adapter with this product!

⚠ WARNING

All wiring and electrical connections should be performed by a qualified electrician. Installation must be in accordance with local codes and national electrical codes.

⚠ WARNING

Improper installation of grounding plug is able to result in a risk of electric shock. When repair or replacement of the cord or plug is required, do not connect the grounding wire to either flat blade terminal. The wire with insulation having an outer surface that is green with or without yellow stripes is the grounding wire.

⚠ WARNING

Never connect green (or green and yellow) wire to a live terminal.

⚠ CAUTION

Overheating, short circuiting and fire damage will result from inadequate wiring, etc.

Thermal Overload Protector

This compressor has an automatic thermal protector that shuts off the motor if it overheats or has too much current. This protector is a "trip and hold" protector. To reset, unplug the compressor and allow it to completely cool. This should allow the automatic overload to reset. The protector may not reset unless it is unplugged.

The motor must be allowed to cool down before start-up is possible. The motor may automatically restart without warning if left plugged into the electrical outlet, and the motor is turned on.

INSTALLATION

1. Check and tighten all bolts, fittings, etc., before operating compressor.
2. Operate compressor in a ventilated area so that compressor may be properly cooled.
3. Compressor should be located where it can be directly plugged into an outlet. Do not use extension cords with this unit.
4. To avoid loss of power and overheating, it is better to use additional air hose instead of extension cords to reach work area.

OPERATION

Before Each Start-up Operating Procedure

1. Turn regulator knob fully counter clockwise (to the left) to close air flow.
2. Connect air hose to outlet of regulator.
3. Turn ON/OFF Switch to OFF position.
4. Plug in power cord.
5. Turn ON/OFF Switch to ON position and let compressor run until it reaches automatic shutoff pressure.
6. Attach tire chuck or tool to end of hose.
7. Adjust regulator to proper pressure for tool or tire. Operate tool per instructions.

As air is depleted from the tank by use of a tire chuck, tool, etc., the compressor will restart automatically at its preset "cut-in" pressure. When a tool is being used continuously, the compressor will cycle on and off automatically.

8. Turn switch to OFF position, unplug power cord and drain tank.

MOISTURE IN COMPRESSED AIR

Moisture in compressed air will form into droplets as it comes from an air compressor pump. When humidity is high or when a compressor is in continuous use for an extended period of time, this moisture will collect in the tank. When using a paint spray or sandblast gun, this water will be carried from the tank through the hose, and out of the gun as droplets mixed with the spray material.

IMPORTANT: This condensation will cause water spots in a paint job, especially when spraying other than water based paints. If sandblasting, it will cause the sand to cake and clog the gun, rendering it ineffective. A filter in the air line, located as near to the gun as possible, will help eliminate this moisture.

MAINTENANCE

⚠ WARNING

Disconnect power source then release all pressure from the system before attempting to install, service, relocate or perform any maintenance. Service should be performed by an authorized service representative.

The compressor should be checked often for any visible problems and the following maintenance procedures should be performed each time the compressor is used.

ASME Safety Valve



⚠ WARNING

Wear safety glasses. Check the safety valve by performing the following steps:

1. Turn the air compressor on and allow the tank to fill. The compressor will shut off when the pressure reaches the preset maximum.
2. Turn the air compressor off.
3. Pull the ring on the safety valve to release the air for several seconds. **ALWAYS** use your hand to deflect fast-moving air past your face.
4. Release the ring. Air will stop escaping when the ring is released at approximately 40 PSI - 60 PSI.
5. If air leaks after the ring has been released, or if the valve is stuck and cannot be actuated by the ring, remove the unit from service. **DO NOT** use the air compressor until the safety valve has been replaced. Use of the air compressor in this condition could result in death or serious bodily injury.

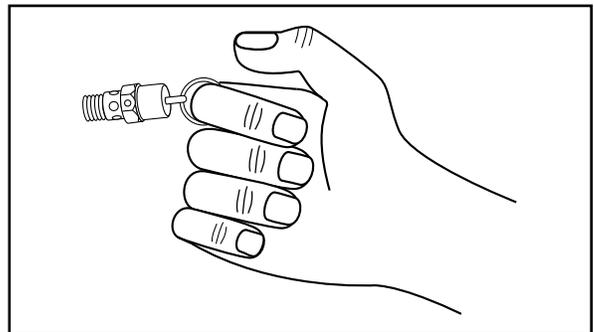


Figure 3

⚠ WARNING

Safety valve must be replaced if it cannot be actuated or it leaks air after ring is released.



Drain Tank

With compressor shut off and pressure released: Drain moisture from tanks by opening drain valve underneath tanks (See Figure 4).

Cleaning

Turn power OFF and clean dust and dirt from motor, tank, air lines and pump cooling fins.

IMPORTANT: Unit should be located as far from spraying area as hose will allow to prevent over-spray from clogging air filter.

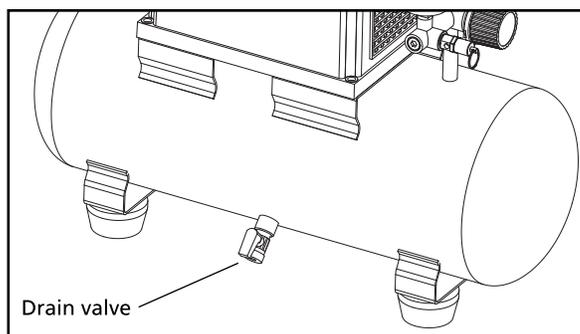


Figure 4

Air Filter

Check air filter to be sure it is clean. To service a filter, remove the filter housing cover. Remove filter and clean foam or filter in hot, soapy water (Paper filters cannot be washed). Rinse and let dry. Replace air filters that cannot be cleaned. Place filter back in the housing base. Replace cover.

Lubrication

This is an oilless type compressor requiring no lubrication.

End of Operation/Storage

1. Turn Auto ON/OFF switch to OFF position.
2. Unplug power cord from wall outlet and wrap around handle to prevent damage when not in use.
3. Wearing safety glasses drain tank of air by pulling the ring on the safety valve. Use other hand to deflect fast moving air from being directed toward your face.
4. Drain tank of condensation by opening drain valve on bottom of tank. Tank pressure should be below 10 PSI when draining tank.
5. Air hose should be disconnected from compressor and open end hanging down to drain condensation.
6. Compressor and hose should be stored in a cool, dry place.

Technical Service

For information regarding the operation or repair of this product, please visit www.campbellhausfeld.com.

MAINTENANCE SCHEDULE		
Operation	Daily	Weekly
Drain Tank	●	
Check Air Filter		●
Check Safety Valve		●
Blow Dirt from Inside Motor		●

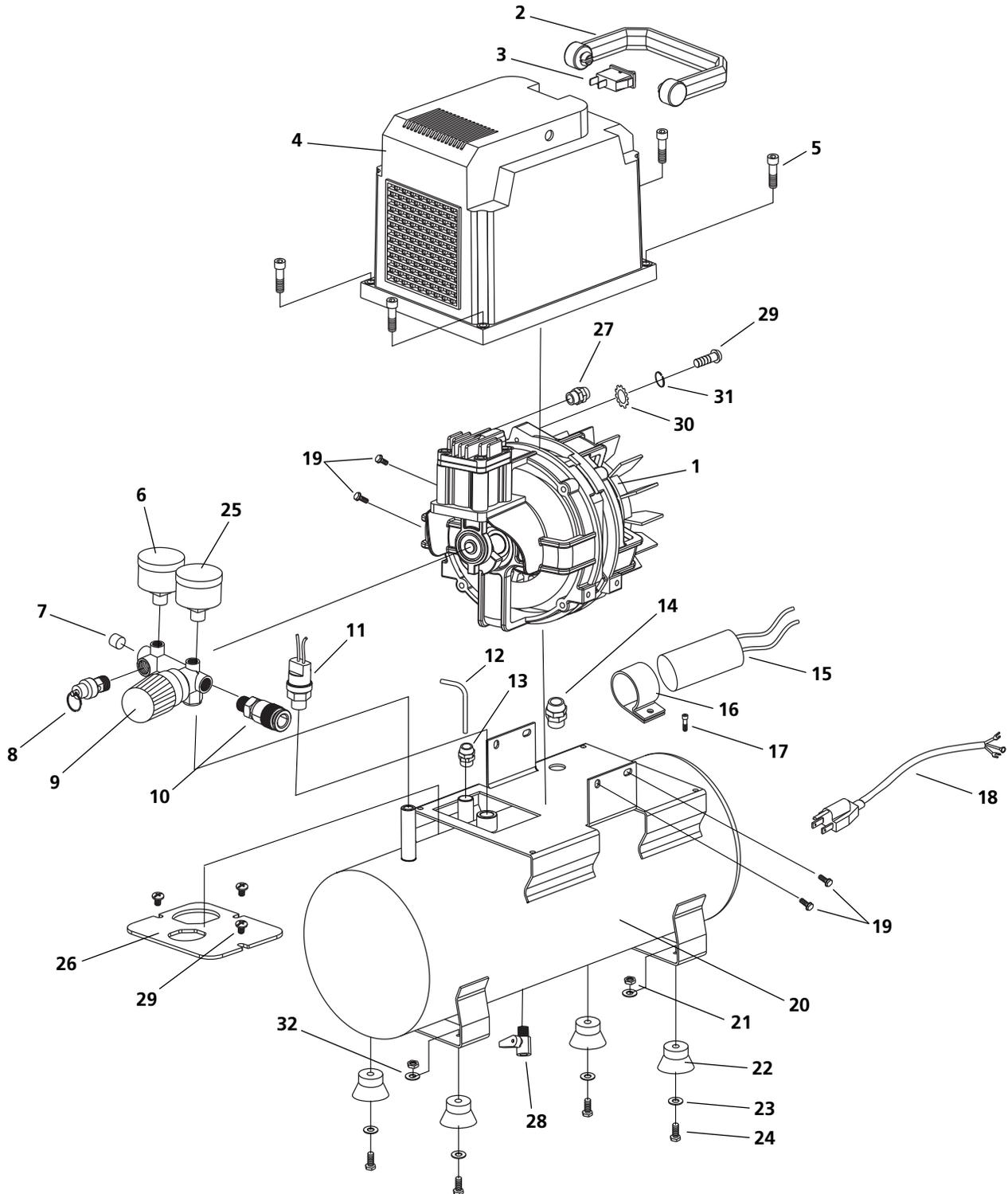
TROUBLESHOOTING GUIDE

SYMPTOM	POSSIBLE CAUSE(S)	CORRECTIVE ACTION
Compressor will not run	<ol style="list-style-type: none"> 1. Unit is plugged into extension cord 2. No electrical power 3. Blown fuse 4. Breaker open 5. Thermal overload open 6. Shorted or open motor winding 	<ol style="list-style-type: none"> 1. Remove extension cord or use larger gauge extension cord. 2. Turn on pressure switch? Plugged in? Check fuse/breaker or motor overload. 3. Replace blown fuse. 4. Reset, determining why problem happened. 5. Unplug and allow motor to cool before trying to restart. 6. Replace motor.
Motor hums but cannot run or runs slowly	<ol style="list-style-type: none"> 1. Low voltage 2. Unit is plugged into extension cord 3. Shorted or open motor winding 4. Defective check valve or unloader 	<ol style="list-style-type: none"> 1. Check with voltmeter. 2. Remove extension cord or use larger gauge extension cord. 3. Replace motor. 4. Replace or repair.
Fuses blow/circuit breaker trips repeatedly	<ol style="list-style-type: none"> 1. Incorrect size fuse, circuit overloaded 2. Unit is plugged into extension cord 3. Defective check valve or unloader 	<ol style="list-style-type: none"> 1. Check for proper fuse, use time-delay fuse. Disconnect other electrical appliances from circuit or operate compressor on its own branch circuit. 2. Remove extension cord or use larger gauge extension cord. 3. Replace.
Thermal overload protector cuts out repeatedly	<ol style="list-style-type: none"> 1. Low voltage 2. Clogged air filter 3. Lack of proper ventilation/room temperature too high 4. Unit is plugged into extension cord 	<ol style="list-style-type: none"> 1. Check with voltmeter. 2. Clean filter (see Maintenance section). 3. Move compressor to well ventilated area. 4. Remove extension cord or use larger gauge extension cord.
Air tank pressure drops when compressor shuts off	<ol style="list-style-type: none"> 1. Loose connections (fittings, tubing, etc.) 2. Loose drain valve 3. Check valve leaking 4. Check tank for cracks or pin holes 	<ol style="list-style-type: none"> 1. Check all connections with soap and water solution and tighten. 2. Tighten. 3. Disassemble check valve assembly, clean or replace. 4. Replace tank. Never repair a damaged tank.
Excessive moisture in discharge air	<ol style="list-style-type: none"> 1. Excessive water in air tank 2. High humidity 	<ol style="list-style-type: none"> 1. Drain tank. 2. Move to area of less humidity; use air line filter.
Compressor runs continuously	<ol style="list-style-type: none"> 1. Defective pressure switch 2. Excessive air usage 3. Air leaks 	<ol style="list-style-type: none"> 1. Replace switch. 2. Decrease air usage; compressor not large enough for a requirement. 3. Check all connections with soap and water.
Compressor vibrates	Loose mounting bolts	Tighten.
Air output lower than normal	<ol style="list-style-type: none"> 1. Broken inlet valves 2. Intake filter dirty 3. Connections leaking 	<ol style="list-style-type: none"> 1. Replace valve plate assembly. 2. Clean or replace intake filter. 3. Tighten connections.

⚠ DANGER

Do not disassemble check valve with air in tank; bleed tank first.

REPAIR PARTS ILLUSTRATION FOR DC03009



**For Repair Parts, visit www.campbellhausfeld.com
24 hours a day – 365 days a year**

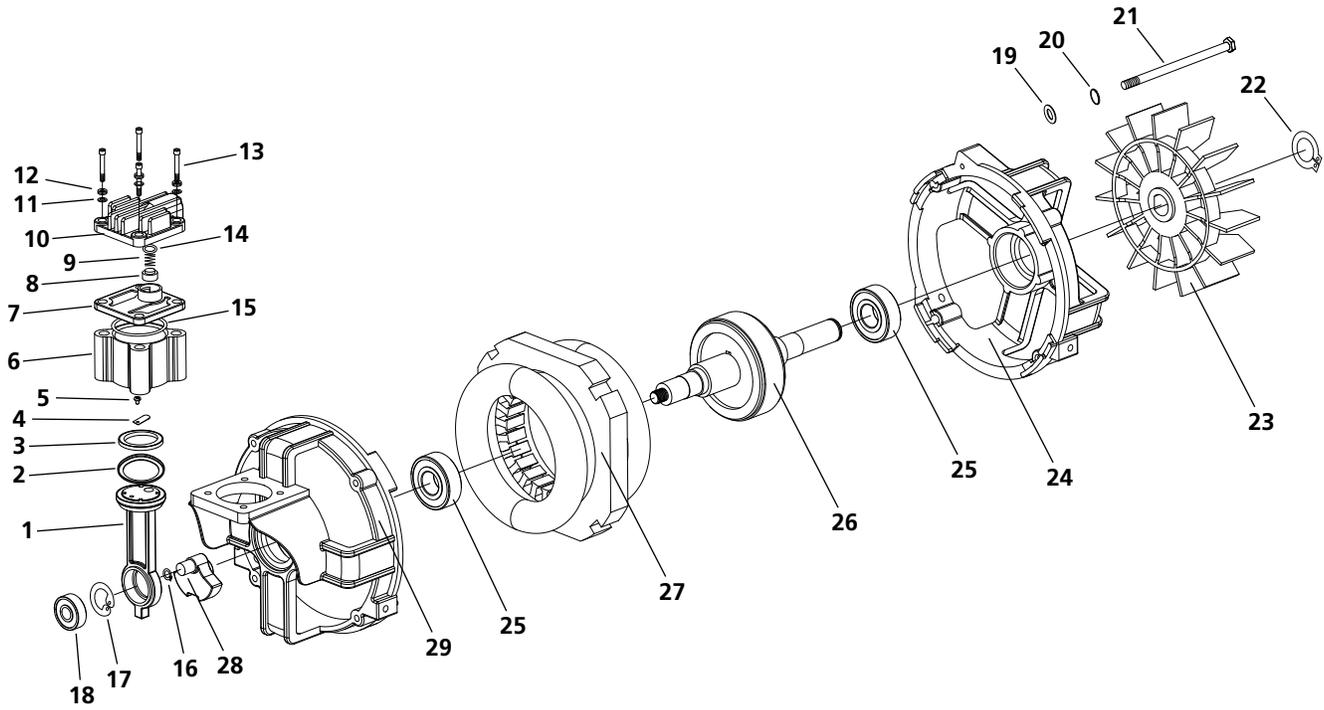
Please provide following information:

- Model number
- Serial number (if any)
- Part description and number as shown in parts list

REPAIR PARTS LIST FOR DC03009

AVAILABLE KITS		
DC000030AV		
Pump Motor Kit		
Description	Location ID	Qty in Kit
Pump/Motor Assembly	1	1
DC000040AV		
Control Manifold		
Description	Location ID	Qty in Kit
Tank Gauge	6	1
Plug	7	1
Safety Valve	8	1
Manifold	9	1
Fast Connector	10	1
Outlet Gauge	25	1
DC000050AV		
Shroud Kit		
Description	Location ID	Qty in Kit
Handle	2	1
On/Off Switch	3	1
Shroud	4	1
Bolt	5	4
DC000060AV		
Foot Kit		
Description	Location ID	Qty in Kit
Nut	21	4
Cushion Foot	22	4
Washer	23	4
Bolt	24	4
Washer	32	4
DC000070AV		
Drain Valve		
Description	Location ID	Qty in Kit
Drain Valve	28	1
Reference Only - Not Available		
Description	Location ID	
Pressure Switch	11	
Tube	12	
Check Valve	13	
Safety Carriage	14	
Capacitor	15	
Capacitor Cover	16	
Bolt	17, 19	
Power Cord	18	
Tank	20	
Baffle Plate	26	
Elbow Exhaust	27	
Screw	29	
Star Washer	30	
Spring Washer	31	

REPAIR PARTS ILLUSTRATION FOR DC000030 PUMP/MOTOR ASSEMBLY



**For Repair Parts, visit www.campbellhausfeld.com
24 hours a day – 365 days a year**

Please provide following information:

- Model number
- Serial number (if any)
- Part description and number as shown in parts list

REPAIR PARTS LIST FOR DC000030 PUMP/MOTOR ASSEMBLY

AVAILABLE KITS		
DC000010AV		
Pump Piston Service Kit		
Description	Location ID	Qty in Kit
Connecting Rod	1	1
Piston Cup	2	1
Binder Plate	3	1
Valve	4	1
Bolt	5	1
DC000020AV		
Pump Valve Service Kit		
Description	Location ID	Qty in Kit
Cylinder	6	1
Valve Plate	7	1
Valve	8	1
Spring	9, 12	2
Cylinder Head	10	1
Washer	11	1
Bolt	13	1
O-Ring	14	1
Gasket	15	1
Reference Only - Not Available		
Description	Location ID	
External Retaining Ring	16, 22	
Internal Retaining Ring	17	
Bearing	18, 25	
Washer	19	
Spring Washer	20	
Bolt	21	
Cooling Fan	23	
Rear Cap	24	
Rotator	26	
Stator	27	
Eccentric	28	
Crankcase	29	



Reminder: Keep your dated proof of purchase for warranty purposes! Attach it to this manual or file it for safekeeping.

LIMITED WARRANTY

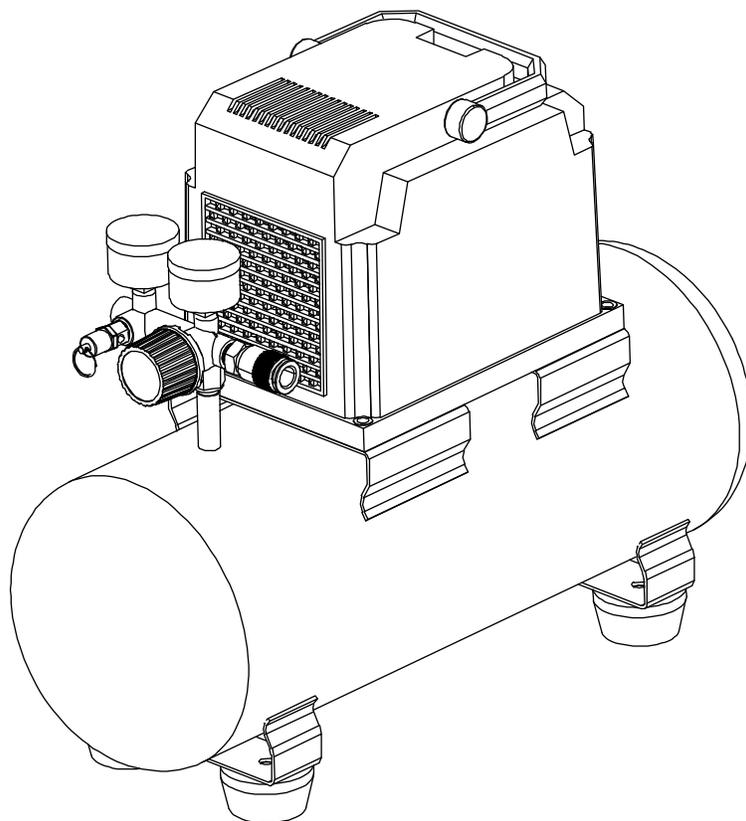
1. DURATION: From the date of purchase by the original purchaser as follows: One Year.
2. WHO GIVES THIS WARRANTY (WARRANTOR): Campbell Hausfeld a Marmon/Berkshire Hathaway Company, 225 Pictoria Drive, Suite 210, Cincinnati, Ohio, 45246, Visit www.campbellhausfeld.com
3. WHO RECEIVES THIS WARRANTY (PURCHASER): The original purchaser (other than for purposes of resale) of the Campbell Hausfeld compressor.
4. WHAT PRODUCTS ARE COVERED BY THIS WARRANTY: This DC03009 Campbell Hausfeld air compressor.
5. WHAT IS COVERED UNDER THIS WARRANTY: Parts and Labor to remedy substantial defects due to material and workmanship during the first year of ownership with the exceptions noted below. Parts only to remedy substantial defects due to material and workmanship during remaining term of coverage with exceptions noted below.
6. WHAT IS NOT COVERED UNDER THIS WARRANTY:
 - A. ANY INCIDENTAL, INDIRECT, OR CONSEQUENTIAL LOSS, DAMAGE, OR EXPENSE THAT MAY RESULT FROM ANY DEFECT, FAILURE, OR MALFUNCTION OF THE CAMPBELL HAUSFELD PRODUCT. Some States do not allow the exclusion or limitations of incidental or consequential damages, so the above limitation or exclusion may not apply to you.
 - B. Any failure that results from an accident, purchaser's abuse, neglect or failure to operate products in accordance with instructions provided in the owner's manual(s) supplied with compressor.
 - C. Pre-delivery service, e.g. assembly, oil or lubricants, and adjustment.
 - D. Items or service that is normally required to maintain the product, e.g. lubricants, filters and gaskets, etc.
 - E. Gasoline engines and components are expressly excluded from coverage under this limited warranty. The Purchaser must comply with the warranty given by the engine manufacturer which is supplied with the product
 - F. Additional items not covered under this warranty:
 1. Excluded items pertaining to All Compressors
 - a. Any component damaged in shipment or any failure caused by installing or operating unit under conditions not in accordance with installation and operation guidelines or damaged by contact with tools or surroundings.
 - b. Pump or valve failure caused by rain, excessive humidity, corrosive environments or other contaminants.
 - c. Cosmetic defects that do not interfere with compressor functionality.
 - d. Rusted tanks, including but not limited to rust due to improper drainage or corrosive environments.
 - e. The following components are considered normal wear items and are not covered after the first year of ownership. Electric motor, check valve, pressure switch, regulator, pressure gauges, hose, tubing, pipe, fittings and couplers, screws, nuts, hardware items, belts, pulleys, flywheel, air filter and housing, gaskets, seals, oil leaks, air leaks, oil consumption or usage, piston rings.
 - f. Tank drain valves.
 - g. Damage due to incorrect voltage or improper wiring.
 - h. Other items not listed but considered general wear parts.
 - i. Pressure switches, air governors, load/unload devices, throttle control devices and safety valves modified from factory settings.
 - j. Damage from inadequate filter maintenance.
 - k. Induction motors operated with electricity produced by a generator.
 2. Excluded items specific to Lubricated Compressors:
 - a. Pump wear or valve damage caused by using oil not specified.
 - b. Pump wear or damage caused by any oil contamination.
 - c. Pump wear or damage caused by failure to follow proper oil maintenance guidelines, operation below proper oil level or operation without oil.
 - H. Labor, service call, or transportation charges after the first year of ownership.
7. RESPONSIBILITIES OF WARRANTOR UNDER THIS WARRANTY: Repair or replace, at Warrantor's option, compressor or component which is defective, has malfunctioned and/or failed to conform within the duration of the specific warranty period.
8. RESPONSIBILITIES OF PURCHASER UNDER THIS WARRANTY:
 - A. Provide dated proof of purchase and maintenance records.
 - B. Visit www.campbellhausfeld.com to obtain your warranty service options. Freight costs must be borne by the purchaser.
 - C. Use reasonable care in the operation and maintenance of the products as described in the owner's manual(s).
 - D. Repairs requiring overtime, weekend rates, or anything beyond the standard manufacturer warranty repair labor reimbursement rate.
 - E. Time required for any security checks, safety training, or similar for service personnel to gain access to facility.
 - F. Location of unit must have adequate clearance for service personnel to perform repairs and easily accessible.
9. WHEN WARRANTOR WILL PERFORM REPAIR OR REPLACEMENT UNDER THIS WARRANTY: Repair or replacement will be scheduled and serviced according to the normal work flow at the servicing location, and depending on the availability of replacement parts.

This Limited Warranty applies in the U.S., Canada and Mexico only and gives you specific legal rights. You may also have other rights which vary from State to State or country to country.



COMPRESSEUR D'AIR DE 11,36 L (3 GAL)

Instructions d'Utilisation et Manuel de Pièces



Modèle : DC03009

FR



Lire et conserver ces instructions. Il faut les lire attentivement avant de commencer à assembler, installer, faire fonctionner ou entretenir l'appareil décrit.

Pour se protéger et protéger autrui, observer toutes les informations sur la sécurité. Négliger d'appliquer ces instructions peut causer des blessures et/ou des dommages matériels! Conserver ces instructions pour consultation ultérieure.

RAPPEL : Conservez votre preuve d'achat datée aux fins de garantie! Attachez-le à ce manuel ou classez-le pour le garder en sécurité.

N° de modèle : _____

N° de série : _____

Date d'achat : _____

Pour de l'information sur les pièces, produits et services veuillez visiter www.campbellhausfeld.com

Campbell Hausfeld
225 Pictoria Drive, Suite 210
Cincinnati, Ohio 45246

ENREGISTREZ VOTRE PRODUIT EN LIGNE MAINTENANT ! www.campbellhausfeld.com/reg
LIRE ET SUIVRE TOUTES LES INSTRUCTIONS • CONSERVER CES INSTRUCTIONS • NE PAS JETER



AVANT DE COMMENCER

La Description

Les compresseurs Oilless sont conçus pour les bricoleurs avec une variété d'emplois domestiques et automobiles. Ces unités fonctionnent sans huile. L'air comprimé de cet appareil contiendra de l'humidité. Installez un filtre à eau ou un sécheur d'air si l'application nécessite de l'air sec.

DÉBALLAGE

Dès que l'appareil est déballé, l'inspecter attentivement pour tout signe de dommages en transit. Vérifier s'il y a des pièces desserrées, manquantes ou endommagées. Vérifier pour s'assurer que tous les accessoires fournis sont inclus avec l'appareil. Pour toutes questions, pièces endommagées ou manquantes, veuillez visiter campbellhausfeld.com pour l'assistance à la clientèle.

⚠ ATTENTION

Ne pas soulever ni déplacer le modèle sans équipement convenable et s'assurer que le modèle soit bien fixé à l'appareil de levage. Ne pas soulever le modèle avec les tuyaux ou les refroidisseurs. Ne pas utiliser le modèle pour soulever d'autre équipement qui est attaché au compresseur.

⚠ AVERTISSEMENT

Ne pas utiliser un modèle qui a été endommagé pendant le transport, la manipulation ou l'utilisation. Le dommage peut résulter en explosion et peut causer des blessures ou dégâts matériels.

INSTRUCTIONS GÉNÉRALES DE SÉCURITÉ

Directives De Sécurité

Ce manuel contient de l'information très importante qui est fournie pour la SÉCURITÉ et pour ÉVITER LES PROBLÈMES D'ÉQUIPEMENT. Rechercher les symboles suivants pour cette information.

⚠ DANGER

Danger indique une situation dangereuse imminente qui MÈNERA à la mort ou à des blessures graves si elle n'est pas évitée.

⚠ AVERTISSEMENT

Avertissement indique une situation potentiellement dangereuse qui, si elle n'est pas évitée, POURRAIT mener à la mort ou à de graves blessures.

⚠ ATTENTION

Attention indique une situation potentiellement dangereuse qui, si elle n'est pas évitée, PEUT mener à des blessures mineures ou modérées.

AVIS

Avis indique de l'information importante qui pourrait endommager l'équipement si elle n'est pas respectée.

IMPORTANT ou **REMARQUE** : Information qui exige une attention spéciale.

Symboles De Sécurité

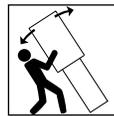
Les symboles de sécurité suivants apparaissent dans l'ensemble de ce manuel pour vous aviser des dangers et précautions importants de sécurité.



Porter une protection oculaire et un masque



Lire le manuel d'abord



Trop lourd du haut



Risque d'incendie



Risque de pièces mobiles



Risque de pièces chaudes



Risque d'explosion



Risques de fumées



Risque de pression



Risque de choc

Proposition 65 de Californie



⚠ AVERTISSEMENT

Ce produit peut vous exposer à des produits chimiques incluant le plomb, connus par l'état de la Californie comme pouvant causer le cancer, des anomalies congénitales ou d'autres troubles de la reproduction. Pour plus d'informations, rendez-vous sur le site www.P65Warnings.ca.gov.

⚠ AVERTISSEMENT

Vous pouvez créer de la poussière en coupant, ponçant, perçant ou meulant les matériaux tels que le bois, la peinture, le métal, le béton, le ciment ou autre maçonnerie. Cette poussière contient souvent des produits chimiques reconnus pour causer le cancer, les déformations congénitales.

Illinois Lead Poisoning Prevention Act (Loi sur la prévention de l'empoisonnement au plomb de l'État de l'Illinois)

⚠ AVERTISSEMENT

CONTIENT DU PLOMB. PEUT ÊTRE NOCIF SI INGÉRÉ OU MÂCHÉ. RESPECTE LES NORMES FÉDÉRALES.

Importantes Instructions de Sécurité

S'il vous plaît lire et conserver ces instructions. Lire attentivement avant de monter, installer, utiliser ou de procéder à l'entretien du produit décrit. Se protéger ainsi que les autres en observant toutes les instructions de sécurité, sinon, il y a risque de blessure et/ou dégâts matériels! Conserver ces instructions comme référence.

Ce manuel contient des informations concernant la sécurité, le fonctionnement et l'entretien. Si vous avez des questions, veuillez visiter campbellhausfeld.com pour l'assistance à la clientèle.

⚠ DANGER AVERTISSEMENT D'AIR RESPIRABLE

Ce compresseur/pompe n'est pas équipé pour et ne devrait pas être utilisé "comme soi" pour fournir de l'air respirable. Pour les applications d'air pour la consommation humaine, il est nécessaire d'équiper le compresseur d'air/pompe avec de l'équipement de sécurité en canalisation et d'alarme. Cet équipement additionnel est nécessaire pour filtrer et purifier l'air afin d'atteindre les spécifications minimales pour la respiration Grade D décrite dans le Compressed Gas Association Commodity Specification G 7.1, OSHA 29 CFR 1910. 134, and/or Canadian Standards Associations (CSA).

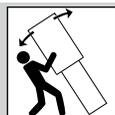
DÉNÉGATION DES GARANTIES

Si le compresseur est utilisé pour les applications d'air respirable et l'équipement de sécurité en canalisation et d'alarme n'est pas utilisé simultanément, les garanties en existence seront annulées, et fabricant dénie toute responsabilité pour n'importe quelle perte, blessure ou dommage.

**Généralités sur la Sécurité**

Puisque le compresseur d'air et les autres composants (article pompe, pistolet de pulvérisation, filtres, lubrifiants, tuyaux, etc.) utilisés font partie d'un système de pompage à haute pression, les précautions de sécurité suivantes doivent être prises en considération à tout moment :

- Lire attentivement tous manuels compris avec ce produit. Bien se familiariser avec les commandes et l'utilisation correcte de l'équipement.
- Suivre tous les codes d'électricité et de sécurité locaux ainsi que: National Electrical Codes (NEC) et Occupational Safety and Health Act (OSHA) des É.-U.
- Seules les personnes bien familiarisées avec ces règles d'utilisation doivent être autorisées à se servir du compresseur.
- Garder les visiteurs à l'écart de/et NE JAMAIS permettre les enfants dans l'endroit de travail.
- Utiliser des lunettes de sécurité et la protection auditive pendant l'utilisation du modèle.
- Ne pas se tenir debout sur/ou utiliser le modèle comme une prise.
- Inspecter le système d'air comprimé et pièces détachées électriques pour toute indication de dommage, détérioration, faiblesse ou fuites avant chaque utilisation. Réparer ou remplacer toutes pièces défectueuses avant l'utilisation.
- Inspecter le degré de serrage de toutes attaches par intervalles régulières.
- Ne pas porter les vêtements flottants ni la bijouterie qui peuvent se prendre dans les pièces mobiles du modèle.

**⚠ AVERTISSEMENT**

Ce compresseur est extrêmement lourd. Faites preuve de prudence lors du déplacement de l'unité et assurez-vous que l'unité est posée sur une surface plane lors de l'exploitation.

⚠ AVERTISSEMENT

N'installez jamais de vanne d'arrêt entre le compresseur et le réservoir.

**⚠ AVERTISSEMENT**

Les moteurs, l'équipement et les commandes électriques peuvent causer des arcs électriques qui peuvent allumer un gaz ou une vapeur inflammable. Ne jamais utiliser ou réparer le modèle près d'un gaz ou d'une vapeur inflammable. Ne jamais entreposer les liquides ou gaz inflammables près du compresseur.

**⚠ AVERTISSEMENT**

Ne jamais utiliser un compresseur sans carter de courroie. Ce modèle peut se démarrer sans avis. Le contact avec les pièces mobiles peut causer des blessures personnelles ou dégâts matériels.

**⚠ ATTENTION**

Les pièces du compresseur peuvent être chaudes même si le modèle n'est pas en marche.

INSTRUCTIONS GÉNÉRALES DE SÉCURITÉ (SUITE)

- Garder les doigts à l'écart d'un compresseur qui est en marche; les pièces mobiles et chaudes peuvent causer des blessures et/ou brûlures.
- Si le compresseur vibre anormalement, ARRÊTER le moteur et l'inspecter immédiatement. La vibration est généralement une indication d'un problème.
- Pour réduire le risque d'incendie, garder l'extérieur du moteur libre d'huile, de solvant ou de graisse excessive.
- Ne jamais essayer d'ajuster la soupape de sûreté ASME. Garder la soupape de sûreté libre de peinture et autres accumulations.

⚠ AVERTISSEMENT

Une soupape de sûreté ASME avec une classification qui ne dépasse pas 1 379 kPa doit être installée dans le réservoir de ce compresseur. La soupape de sûreté ASME doit avoir un débit d'air et une classification de pression suffisants pour protéger les pièces pressurisées contre l'éclatement.

⚠ ATTENTION

Voir les spécifications du compresseur pour une pression de fonctionnement maximale. Ne pas faire fonctionner avec un manostat ou soupapes pilotes réglés au delà de la pression de fonctionnement maximum.

⚠ AVERTISSEMENT

La pression de fonctionnement maximale est de 1 207 kPa pour les compresseurs monophasés. Ne pas faire fonctionner avec un manostat ou des vannes pilotes configurés sur une valeur supérieure à 1 207 kPa (2 étages).

⚠ AVERTISSEMENT

Ne jamais utiliser les tuyaux plastiques (CPV) pour l'air comprimé. Ceci peut causer des blessures graves ou la mort.



⚠ AVERTISSEMENT

Ne jamais essayer de réparer ni de modifier un réservoir! Le soudage, le perçage ou autre modifications peuvent affaiblir le réservoir et peut résulter en dommage de rupture ou d'explosion. Toujours remplacer un réservoir usé, fendu ou endommagé.

AVIS

Purger le liquide du réservoir quotidiennement.

- L'accumulation d'humidité cause la rouille qui peut affaiblir le réservoir. Purger le réservoir quotidiennement et l'inspecter périodiquement pour la rouille et la corrosion ou autre dommage.
- L'air mouvante peut agiter la poussière et le débris qui peut être dangereux. Lâcher l'air lentement en purgeant l'humidité ou pendant la dépressurisation du système de compresseur.

Précautions de Pulvérisation

⚠ AVERTISSEMENT

Ne pas pulvériser les matériaux inflammables dans un endroit de flamme ouverte ni près d'une source d'ignition y compris le compresseur.



- Ne pas fumer pendant la pulvérisation de la peinture, d'insecticides ou autres matières inflammables.
- Utiliser un masque/respirateur pendant la pulvérisation et pulvériser dans un endroit bien aéré pour éviter le risque de blessures et d'incendie.
- Ne pas diriger la peinture ou autre matériel pulvérisé vers le compresseur. Situer le compresseur aussi loin que possible de l'endroit de pulvérisation pour réduire l'accumulation de surpulvérisation sur le compresseur.
- Suivre les instructions du fabricant pendant la pulvérisation ou le nettoyage avec des solvants ou produits chimiques toxiques.

Les symboles **DANGER**, **AVERTISSEMENT**, **ATTENTION** et **AVIS** ainsi que les instructions de ce manuel ne peuvent pas couvrir toutes les conditions et situations qui pourraient se produire. L'opérateur doit comprendre que le bon sens et des précautions sont des facteurs qui ne peuvent pas être inclus dans ces produits, mais doivent être fournis par l'opérateur.

**CONSERVER CES INSTRUCTIONS
NE PAS JETER**

APPRENEZ À CONNAÎTRE VOTRE COMPRESSEUR

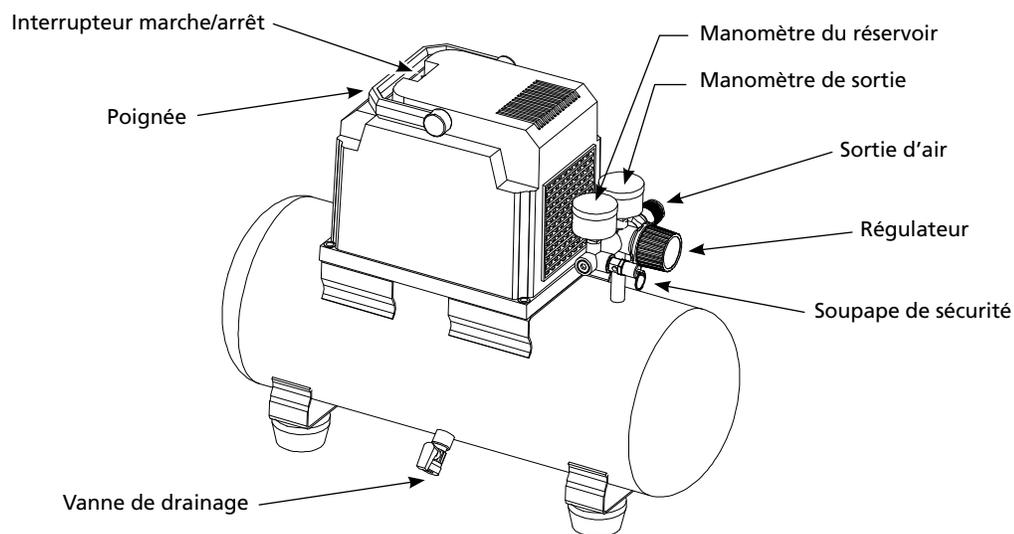


Figure 1

CARACTÉRISTIQUES

	DC03009
Moteur HP	0.4
Capacité du réservoir	11.3 L
Étape	Single
Nombre de cylindres	1
Poussée d'air @ 621 kPa	0.01 m ³ /h
Tension	120
Intensité	3,5
Hertz (Cycles)	60
Pression maximale	862 kPa
Taille de l'orifice de sortie du réservoir	1/4 po branchement rapide
Poids de l'unité	10.7 kg

DIMENSIONS

	DC03009
Long.	51 cm (20,08 po)
Larg.	18.49 cm (7,28 po)
Haut.	41.5 cm (16,34 po)

kPa / PSI (livres par pouce carré) - Mesure de la pression exercée par la force de l'air. La sortie réelle en PSI est mesurée par un manomètre sur le compresseur.

SCFM (pied cube standard par minute) - Parfois appelé CFM (pied cube par minute). Mesure du volume d'air livré par le compresseur.

Poussée d'air - Une combinaison des PSI et SCFM. La poussée d'air requise par un outil est indiquée par (numéro) SCFM à (numéro) PSI. La combinaison de ces nombres détermine quelle taille d'unité est requise.

Capacité du réservoir d'air - Le volume d'air entreposé dans le réservoir et disponible à être immédiatement utilisé. Un grand réservoir permet l'utilisation intermittente d'un outil pneumatique dont l'exigence en air est plus élevée que la poussée classifiée du compresseur.

A ou intensité - Une mesure de la force électrique moins la résistance d'une ligne électrique. Ce compresseur d'air exige 15 ampères pour son fonctionnement. Assurez-vous que le compresseur fonctionnera sur une ligne électrique comportant l'intensité appropriée. Si d'autres appareils fonctionnent sur la même ligne, ils réduiront l'intensité disponible. Si l'intensité n'est pas adéquate, on causera le déclenchement des fusibles ou des courts-circuits.

Volts ou tension - Une mesure de la force d'un courant électrique.

Pression de mise en circuit/arrêt - PSI spécifique où un compresseur démarre et arrête pour remplir le réservoir d'air.

Régulateur - Le régulateur contrôle la quantité de pression d'air à la sortie du boyau. Tourner le bouton du régulateur dans le sens horaire (vers la droite) fera augmenter la pression d'air à la sortie. Tourner le bouton du régulateur dans le sens antihoraire (vers la gauche) abaissera la pression d'air à la sortie. Tourner le bouton complètement dans le sens antihoraire coupera entièrement le débit d'air.

Poignée - Conçue pour déplacer le compresseur.

Soupape de sécurité ASME - Cette soupape libère automatiquement l'air si la pression du réservoir dépasse le maximum prédéfini.

Tuyau d'échappement - Ce tuyau transporte l'air comprimé entre la pompe et le clapet anti-retour. Ce tube devient très chaud pendant l'utilisation. Pour éviter le risque de brûlures graves, ne jamais toucher le tuyau d'échappement.

Clapet anti-retour - Clapet à sens unique permettant à l'air d'entrer dans le réservoir, mais empêche l'air de refluer dans la pompe du compresseur.

APPRENEZ À CONNAÎTRE VOTRE COMPRESSEUR (SUITE)



Sortie de l'air - Un coupleur à branchement rapide conçu pour fonctionner avec une prise à branchement rapide afin d'attacher rapidement et facilement, le compresseur à un boyau à air.

Manomètre - Ces manomètres présenteront la pression d'air dans le réservoir du compresseur et à la sortie du compresseur.



Manomètre de pression de sortie - Présentera la pression d'air à la sortie, en livres par pouce carré (PSI). Assurez-vous que ce manomètre soit à ZERO (en ajustant le bouton du régulateur complètement en sens antihoraire) avant de changer d'outil pneumatique ou de boyau à air à la sortie.

Manomètre du réservoir - Présentera la pression d'air dans le réservoir alors qu'il est en fonction, indiquant que le compresseur accumule correctement l'air. Ce manomètre présentera la pression maximale du compresseur lorsqu'il s'arrête automatiquement au manostat.

Vanne de drainage - Cette vanne est située sous le réservoir. Utilisez cette vanne pour évacuer quotidiennement l'humidité du réservoir afin de réduire le risque de corrosion.

⚠ ATTENTION

Drainer quotidiennement le liquide du réservoir.

Réduire la pression du réservoir sous 10 PSI, puis drainez l'humidité quotidiennement du réservoir afin d'en éviter la corrosion. Drainez l'humidité du réservoir en ouvrant la vanne de drainage située sous le réservoir.

SPÉCIFICATIONS DU MOTEUR ET EXIGENCES ÉLECTRIQUES



Alimentation électrique et spécifications du moteur

AVIS

Afin de réduire le risque de dangers électriques, d'incendies ou de dommage à l'outil, utilisez la protection de circuit appropriée.

AVIS

Votre outil est câblé à la fabrication pour être utilisé à la tension montrée. Branchez l'outil à une ligne électrique comportant la tension appropriée et un circuit de dérivation de 15 A. Utilisez un fusible temporisé ou un disjoncteur de 15 A.

AVIS

Afin de réduire le risque de décharge électrique ou d'incendie, le cordon d'alimentation doit être immédiatement remplacé s'il est usé, coupé ou endommagé.

Le moteur AC utilisé sur ce compresseur est du type à induction non réversible à condensateur auxiliaire de démarrage permanent aux spécifications suivantes. Il est câblé à la fabrication pour un fonctionnement sur service de 120 V AC, 60 Hz.

SPÉCIFICATIONS DU MOTEUR

Tension	120
Ampères	3,5
Hertz (Cycles)	60
Phase	Simple
RPM	3400

Branchements électriques généraux

AVERTISSEMENT

Risque de décharge électrique. Utilisez un disjoncteur de fuite à la terre. Utilisez uniquement à l'intérieur. Débranchez toutes les connexions avant d'effectuer un entretien. Utilisez des pièces de remplacement identiques. Les réparations doivent être effectuées par un électricien approuvé et qualifié.

En cas de bris de l'appareil, la mise à la terre fournit à l'électricité un chemin de moindre résistance qui contribue à réduire le risque de décharge électrique. Ce compresseur est équipé d'un cordon d'alimentation qui possède un conducteur de mise en terre et une fiche de mise en terre, comme indiqué. La fiche doit être branchée dans une prise bien installée et mise en terre conformément aux codes de bâtiment locaux.

Une mauvaise connexion de l'équipement de conduction de mise en terre causera un risque de décharge électrique. Le conducteur isolé qui présente une surface extérieure verte avec des rayures jaunes ou non est le conducteur de mise à la terre de l'équipement. S'il est nécessaire de remplacer la fiche ou le cordon électrique, ne branchez pas le conducteur de mise à la terre à une borne sous tension.

Si les instructions de mise à la terre ne sont pas bien comprises, ou s'il existe un doute sur la mise à la terre adéquate du compresseur, veuillez vérifier auprès d'un technicien ou un réparateur qualifié.

Instructions de mise à la terre

- Ce produit est conçu pour être utilisé sur un circuit de 120 V. Il doit être mis à la terre. Dans le cas d'un court-circuit, la mise à la terre réduit le risque d'une décharge électrique en fournissant un chemin de courant alternatif au sol. L'unité est équipée d'un cordon électrique qui possède une broche de mise à la terre. Elle s'insérera facilement dans l'un des types communs de prises électriques montrées à la figure 2. Si la fiche ne s'insère pas dans la prise désirée, demandez à un électricien qualifié de remplacer la fiche ou la prise.
- Vérifiez toujours avec un électricien ou réparateur qualifié si les instructions de mise à la terre ne sont pas bien comprises ou s'il y a doute sur la correcte mise à la terre du produit. Ne modifiez pas la fiche fournie; si elle ne s'insère pas dans la prise, faites modifier la prise par un électricien qualifié.
- Utilisez uniquement un cordon électrique à 3 fils doté d'une fiche à 3 broches avec mise à la terre se branchant dans une prise à 3 fentes. Assurez-vous que votre rallonge électrique n'est pas endommagée. Quand vous utilisez une rallonge électrique, assurez-vous qu'elle soit assez épaisse pour transporter tout le courant dont votre produit a besoin. Pour les longueurs de moins de 7,6 m (25 pi). Une rallonge électrique de 16-3 AWG devra être utilisée. L'utilisation d'une rallonge trop mince entraînera une baisse de tension et de puissance, ainsi qu'une surchauffe. (AVIS : Le tableau 1 indique les gabarits à utiliser selon la longueur de la rallonge. En cas de doute, utilisez le gabarit supérieur. Un numéro de gabarit plus petit indique une rallonge plus épaisse.)
- L'utilisation d'une rallonge pourrait causer une surchauffe du moteur. Cela pourrait déclencher le disjoncteur (sur le panneau électrique) ou le protecteur thermique de surcharge (sur le moteur du compresseur). Si c'est le cas, enlevez la rallonge et branchez le compresseur directement dans la prise électrique. Évitez d'utiliser des rallonges; choisissez plutôt des tuyaux d'air plus longs.

Si une réparation ou un remplacement du cordon électrique ou de la fiche est nécessaire, ne branchez pas le fil de mise à la terre à l'une des bornes à lame plate. Le fil isolé qui présente une surface extérieure verte avec des rayures jaunes ou non est le fil de mise à la terre.

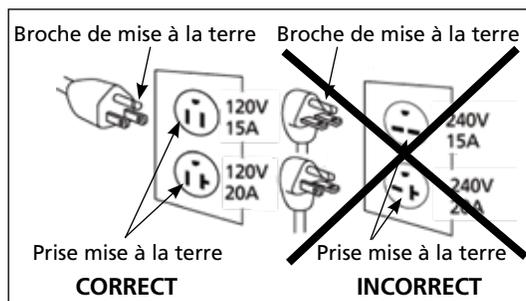


Figure 2 - Méthode de mise à la terre

AVERTISSEMENT

Risque de décharge électrique. Une mauvaise utilisation de la fiche de mise à la terre peut causer un risque de décharge électrique. La fiche doit être branchée dans une prise installée et mise à la terre conformément aux codes et règlements locaux.

AVIS

Ne pas utiliser d'adaptateur de mise à la terre.

SPÉCIFICATIONS DU MOTEUR ET EXIGENCES ÉLECTRIQUES (SUITE)

Rallonges électriques

1. Le compresseur d'air devrait être situé à un endroit où il peut être branché directement à la prise d'alimentation. Bien que les rallonges électriques ne soient pas recommandées, si vous devez absolument en utiliser une, assurez-vous qu'il s'agit d'une rallonge à 3 fils, avec une broche de mise à la terre et un réceptacle à 3 fentes acceptant la fiche du produit. Lorsque vous utilisez une rallonge électrique, assurez-vous qu'elle soit assez épaisse pour transporter tout le courant dont votre produit a besoin.
2. Afin d'éviter la perte de puissance et la surchauffe, des tuyaux d'air additionnels devraient être employés pour atteindre l'aire de travail, et non pas des rallonges électriques.

PLAGE D'INTENSITÉ DU MOTEUR	TENSION	LONGUEUR DU CORDON		
	120 V	7,6 m (25 pi)	15,2 m (50 pi)	30,5 m (100 pi)
3 - 4		18	18	16

Informations 120 V, 60 Hz

La fiche fournie avec votre compresseur ne s'insérera peut-être pas dans la prise que vous planifiez utiliser. Il est possible que le code électrique local nécessite des branchements de fiche de cordon électrique légèrement différents. Si ces différences existent, référez-vous à votre code local et effectuez les ajustements nécessaires avant de brancher et de faire fonctionner votre compresseur.

Fiches et prises

1. Si la fiche du cordon électrique de l'unité ne vous est pas familière et si elle ne s'insère pas dans votre réceptacle, la Figure 2 vous aidera à en comprendre la raison grâce à ses illustrations de fiches et les tensions différentes avec lesquelles elle peut être utilisée.
2. Assurez-vous que le produit est branché à une prise ayant la même configuration que la fiche.
3. Les réceptacles doivent être branchés sur des circuits jaugés pour supporter au moins les tensions et intensités indiquées.
4. Ne JAMAIS remplacer un réceptacle donné avec un réceptacle de résistance plus élevée avant de déterminer si le changement peut être effectué conformément à tous les codes électriques qui sont en vigueur dans votre région. L'installation devrait être faite par un électricien qualifié. Si les produits doivent être rebranchés pour être employés sur différents types de circuits, le nouveau branchement devrait être effectué par du personnel qualifié.

⚠ AVERTISSEMENT

Un câblage électrique inadéquat peut causer une surchauffe, un court-circuit et un incendie.

Spécifications électriques

⚠ AVERTISSEMENT

Tout le câblage électrique et les connexions devraient être effectués par un électricien qualifié. L'installation doit respecter les codes électriques locaux et nationaux.

Câblage électrique

1. Les codes électriques locaux diffèrent d'une région à l'autre. Le câblage électrique source, les fiches et les protecteurs doivent être classifiés au moins pour l'intensité et la tension indiquées sur la plaque signalétique du moteur, et respecter tous les codes électriques pour ce minimum.
2. Utilisez un fusible temporisé ou un disjoncteur de circuit.
3. Ce produit est conçu pour être utilisé sur un circuit de 120 V et est doté d'une broche de mise à la terre semblable à la broche illustrée dans la figure 2.

Assurez-vous que le produit est branché à une prise ayant la même configuration que la fiche. Ce produit doit être mis à la terre. Dans le cas d'un court-circuit, la mise à terre réduit le risque d'une décharge électrique en fournissant un chemin de courant alternatif au sol. Ce produit est doté d'un cordon avec câble et fiche de mise à la terre. La fiche doit être branchée dans une prise correctement installée et mise à la terre conformément aux ordonnances et codes locaux.

⚠ ATTENTION

Un câblage électrique inadéquat peut causer une surchauffe, un court-circuit et un incendie.

Ne modifiez pas la fiche fournie. Si elle ne s'insère pas dans la prise, faites modifier la prise par un électricien qualifié.

⚠ ATTENTION

S'il n'est pas mis à la terre correctement, cet outil peut causer une décharge électrique, particulièrement lorsqu'il est utilisé dans des endroits humides, à proximité de la plomberie, et à l'extérieur.

⚠ DANGER

N'utilisez pas d'adaptateur de mise à la terre avec ce produit!

⚠ AVERTISSEMENT

Tout le câblage électrique et les connexions devraient être effectués par un électricien qualifié. L'installation doit respecter les codes électriques locaux et nationaux.

⚠ AVERTISSEMENT

L'installation de la fiche de mise à la terre peut provoquer un risque de décharge électrique. Lorsqu'une réparation ou un remplacement du cordon électrique ou de la fiche est nécessaire, ne branchez aucun fil de mise à la terre à la borne à lame plate. Le fil isolé qui présente une surface extérieure verte avec des rayures jaunes ou non est le fil de mise à la terre.

⚠ AVERTISSEMENT

Ne branchez jamais un fil vert (ou vert et jaune) à une borne sous tension.

⚠ ATTENTION

Un câblage électrique inadéquat peut causer une surchauffe, un court-circuit et un incendie, etc.

Dispositif de protection thermique

Ce compresseur comporte une protection thermique automatique qui arrête le moteur s'il surchauffe ou reçoit trop de courant. Ce protecteur est du type « déclenchement et maintien ». Pour réenclencher, débranchez le compresseur et laissez-le se refroidir complètement. Ceci devrait permettre à la surcharge automatique de se réenclencher. Le protecteur pourrait ne pas se réenclencher, sauf s'il est débranché.

Le moteur doit pouvoir se refroidir complètement avant qu'un redémarrage ne soit possible. Le moteur pourrait redémarrer automatiquement et sans avertissement s'il est laissé branché dans la prise électrique, et si le moteur est allumé.

INSTALLATION

1. Vérifiez et serrez tous les boulons, raccords, etc., avant de faire fonctionner le compresseur.
2. Utilisez le compresseur dans un endroit ventilé où le compresseur pourra se refroidir adéquatement.
3. Le compresseur devrait être situé à un endroit où il peut être branché directement à la prise d'alimentation. N'utilisez pas de rallonges électriques avec cette unité.
4. Afin d'éviter la perte de puissance et la surchauffe, il est préférable d'utiliser des tuyaux d'air additionnels au lieu de rallonges électriques pour atteindre l'aire de travail.

FUNCTIONNEMENT

Procédure de avant chaque démarrage

1. Tournez le bouton du régulateur entièrement en sens horaire (vers la gauche) afin de fermer le débit d'air.
2. Branchez le tuyau à air à la sortie du régulateur.
3. Placez l'interrupteur marche/arrêt à OFF.
4. Branchez le cordon d'alimentation.
5. Placez l'interrupteur marche/arrêt à ON et laissez fonctionner le compresseur jusqu'à ce qu'il atteigne la pression d'arrêt automatique.
6. Attachez le mandrin pour pneu ou l'outil à l'extrémité du boyau.
7. Ajustez le régulateur à la pression appropriée pour l'outil ou le mandrin. Utilisez l'outil selon les instructions.

Comme l'air est réduit par l'utilisation du réservoir avec le mandrin à pneu, outil, etc., le compresseur redémarrera automatiquement à la pression de « mise en circuit ». Lorsqu'un outil est continuellement utilisé, le compresseur passera automatiquement entre l'arrêt et le démarrage.

8. Placez l'interrupteur à OFF, débranchez le cordon d'alimentation et drainez le réservoir.

HUMIDITÉ DANS L'AIR COMPRIMÉ

L'humidité dans l'air comprimé forme des gouttelettes en arrivant de la pompe du compresseur d'air. Si l'humidité est élevée, ou si le compresseur est utilisé continuellement, cette humidité s'accumulera dans le réservoir. Pendant l'utilisation d'un pistolet à peinture ou d'un pistolet pour le décapage au sable, cette eau sera transportée du réservoir par moyen du tuyau, et en forme de gouttelettes, mélangée avec le matériel utilisé.

IMPORTANT: Cette condensation peut causer des taches d'eau sur votre travail de peinture, surtout pendant la pulvérisation de peinture qui n'est pas à base d'eau. Pendant le décapage au sable, cette eau servira à tenir le sable ensemble et causera une obstruction dans le pistolet. Un filtre à air en canalisation situé aussi près du pistolet que possible aidera à éliminer cette humidité.

ENTRETIEN

⚠ AVERTISSEMENT

Débranchez la source d'alimentation et libérez toute la pression du système avant d'essayer d'installer, réparer, de déplacer ou d'effectuer tout entretien. Les réparations devraient être effectuées par un représentant autorisé.

Le compresseur devrait être vérifié fréquemment pour tous problèmes visibles, et les procédures d'entretien suivantes devraient être effectuées chaque fois que le compresseur est utilisé.

Soupape de sécurité ASME



⚠ AVERTISSEMENT

Portez des lunettes de protection. Vérifiez la soupape de sécurité en accomplissant les étapes suivantes

1. Allumez le compresseur et laissez le réservoir se remplir. Le compresseur s'arrêtera automatiquement lorsque la pression atteint le maximum préalablement réglé.
2. Éteignez le compresseur.
3. Tirez l'anneau de la soupape de sécurité pendant plusieurs secondes pour libérer l'air. Utilisez TOUJOURS votre main pour faire dévier l'air se déplaçant à haute vitesse vers votre visage.
4. Relâchez l'anneau. L'air cessera de s'échapper lorsque l'anneau sera relâché à environ 40 à 60 PSI.
5. Si l'air fuit après le relâchement de l'anneau, ou si la soupape est coincée et ne peut être actionnée par l'anneau, n'utilisez pas l'unité. NE PAS utiliser le compresseur d'air tant que la soupape de sécurité n'a pas été remplacée. Utiliser le compresseur d'air dans cette condition pourrait causer le décès ou de graves blessures.

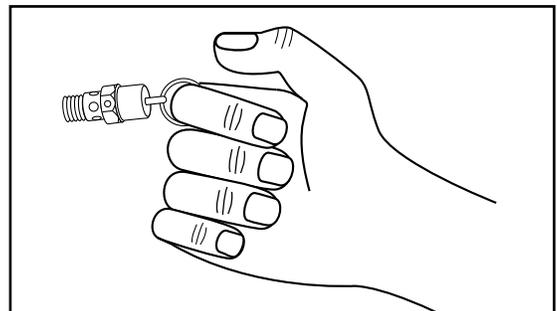


Figure 3

⚠ AVERTISSEMENT

Safety valve must be replaced if it cannot be actuated or it leaks air after ring is released.



Drainer le réservoir

Lorsque le compresseur est arrêté et la pression libérée : Drainez l'humidité des réservoirs en ouvrant la vanne de drainage sous les réservoirs (voir la figure 4).

Nettoyage

Éteignez l'alimentation et nettoyez la poussière et la saleté du moteur, du réservoir, des conduites d'air et des ailettes de refroidissement de la pompe.

IMPORTANT : L'unité devrait être située aussi loin que possible de la zone de pulvérisation que le permettra le boyau afin d'éviter l'excès de projections pouvant boucher le filtre à air.

Filtre à air

Vérifier le filtre à air afin de vous assurer qu'il est propre. Pour entretenir un filtre, retirez le couvercle du compartiment du filtre. Retirez le filtre et nettoyez la mousse ou le filtre dans l'eau chaude et savonneuse (les filtres de papier ne peuvent être lavés). Rincez et laissez sécher. Remplacez les filtres ne pouvant être nettoyés. Remettez le filtre dans la base du compartiment. Remplacez le couvercle.

Lubrification

Il s'agit d'un compresseur de type sans huile n'exigeant aucune lubrification.

Fin de l'utilisation/rangement

1. Placez l'interrupteur marche/arrêt automatique à OFF.
2. Débranchez le cordon d'alimentation de la prise murale et enroulez-le autour de la poignée pour éviter qu'il ne soit endommagé.
3. Portez des lunettes de protection pour drainer le réservoir de son air en tirant sur l'anneau de la soupape de sécurité. Utilisez votre autre main pour éviter que l'air se déplaçant à haute vitesse soit dirigé vers votre visage.
4. Drainez le réservoir de la condensation en ouvrant la vanne de drainage du bas du réservoir. La pression du réservoir devrait se trouver sous 10 PSI lors du drainage.
5. Le boyau à air devrait être débranché du compresseur et laissez pendre l'extrémité pour en retirer la condensation.
6. Le compresseur et le boyau devraient être rangés dans un endroit frais et sec.

Service technique

Pour de l'information sur le fonctionnement ou la réparation de ce produit, veuillez visiter le www.campbellhausfeld.com.

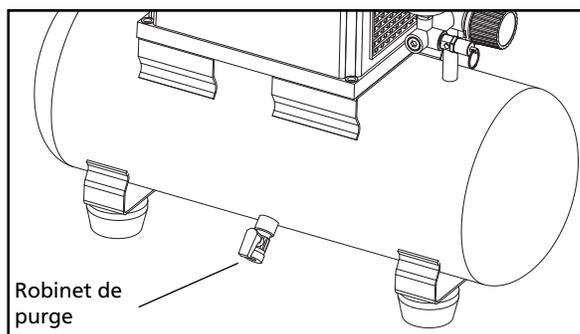


Figure 4

PROGRAMME D'ENTRETIEN		
Fonctionnement	Quotidien	Hebdomadaire
Drainer le réservoir	●	
Vérifier le filtre à air		●
Vérifier la soupape de sécurité		●
Souffler la saleté de l'intérieur du moteur		●

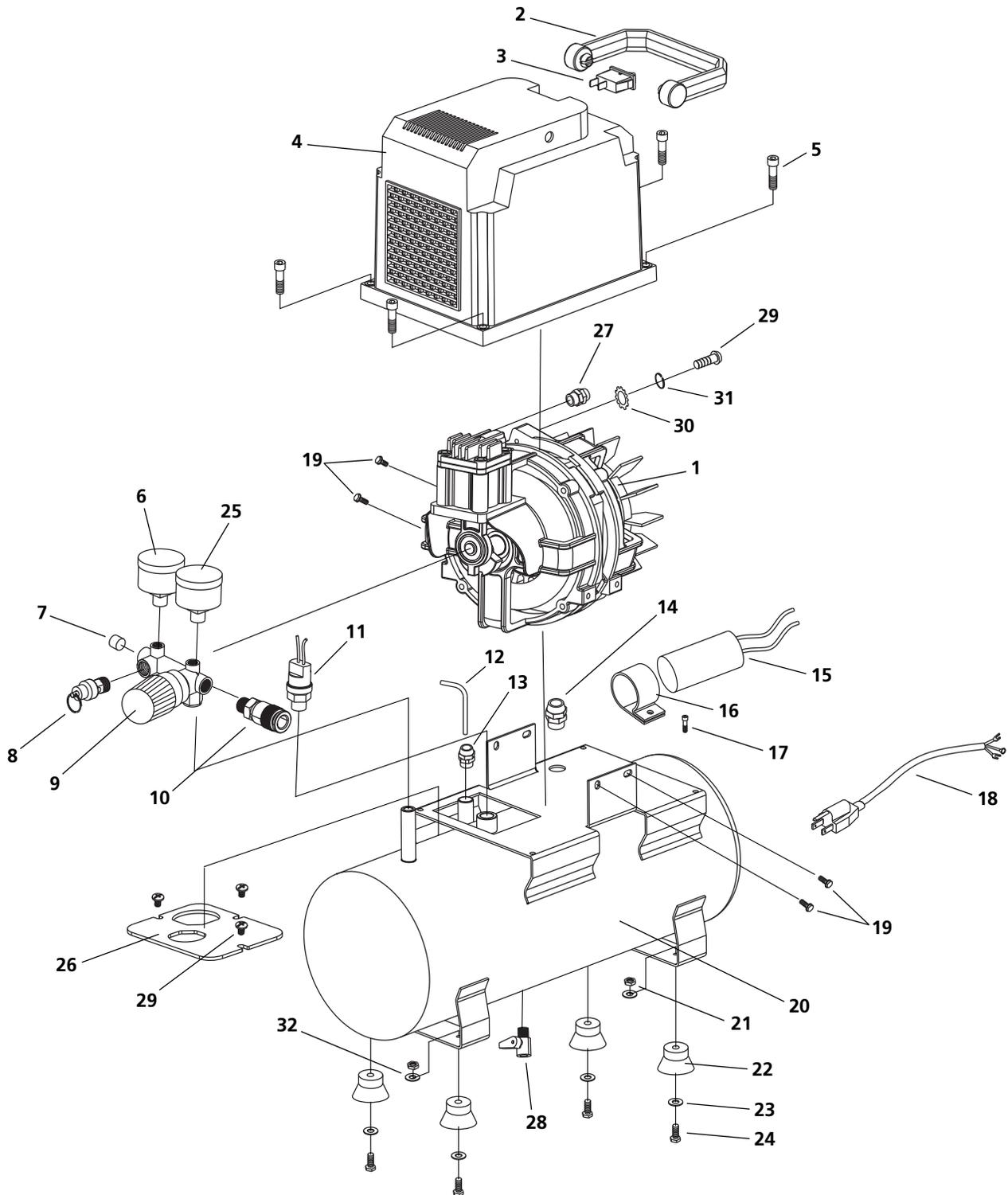
GUIDE DE DÉPANNAGE

SYMPTÔME	CAUSE(S) POSSIBLE(S)	ACTION CORRECTIVE
Le compresseur ne fonctionnera pas, si	<ol style="list-style-type: none"> 1. L'unité est branchée à une rallonge électrique. 2. Il n'y a aucune alimentation électrique. 3. Le fusible est grillé. 4. Le disjoncteur est ouvert. 5. La surcharge thermique est ouverte. 6. Enroulement du moteur court-circuité ou ouvert 	<ol style="list-style-type: none"> 1. Retirez la rallonge électrique ou utilisez une rallonge électrique de plus grand calibre. 2. Allumez le manostat? Branchez? Vérifiez le fusible/ disjoncteur ou la surcharge du moteur. 3. Remplacez le fusible grillé. 4. Réenclenchez en déterminant pourquoi le problème est survenu. 5. Débranchez et laissez refroidir le moteur avant de tenter un redémarrage. 6. Remplacez le moteur.
Le moteur vrombit, mais ne peut fonctionner ou fonctionner au ralenti	<ol style="list-style-type: none"> 1. Faible tension 2. L'unité est branchée à une rallonge électrique. 3. Enroulement du moteur court-circuité ou ouvert 4. Clapet anti-retour ou réducteur de puissance défectueux. 	<ol style="list-style-type: none"> 1. Vérifiez avec un voltmètre. 2. Retirez la rallonge électrique ou utilisez une rallonge électrique de plus grand calibre. 3. Remplacez le moteur. 4. Remplacez ou réparez.
Les fusibles/disjoncteurs se déclenchent à répétition	<ol style="list-style-type: none"> 1. Fusible de la mauvaise taille, circuit surchargé 2. L'unité est branchée à une rallonge électrique. 3. Clapet anti-retour ou réducteur de puissance défectueux. 	<ol style="list-style-type: none"> 1. Vérifiez s'il est approprié d'utiliser un fusible temporisé. Débranchez les autres appareils électriques du circuit ou utilisez le compresseur sur son propre circuit de dérivation. 2. Retirez la rallonge électrique ou utilisez une rallonge électrique de plus grand calibre. 3. Remplacez.
Le dispositif de protection thermique se déclenche à répétition.	<ol style="list-style-type: none"> 1. Faible tension 2. Filtre à air bouché 3. Manque d'une ventilation adéquate / température de la pièce trop élevée 4. L'unité est branchée à une rallonge électrique. 	<ol style="list-style-type: none"> 1. Vérifiez avec un voltmètre. 2. Nettoyez le filtre (voir la section d'entretien). 3. Déplacez le compresseur dans une zone bien ventilée. 4. Retirez la rallonge électrique ou utilisez une rallonge électrique de plus grand calibre.
La pression du réservoir d'air descend lorsque le compresseur est arrêté	<ol style="list-style-type: none"> 1. Les branchements sont desserrés (raccords, tuyauterie, etc.) 2. Vanne de drainage desserrée 3. Fuite du clapet anti-retour 4. Vérifiez si le réservoir est fissuré ou a des piqûres. 	<ol style="list-style-type: none"> 1. Vérifiez tous les branchements avec une solution savonneuse, puis resserrez. 2. Resserrez. 3. Démontez l'ensemble du clapet anti-retour, nettoyez ou remplacez. 4. Remplacez le réservoir. N'essayez jamais de réparer un réservoir endommagé.
Excès d'humidité dans l'évacuation d'air	<ol style="list-style-type: none"> 1. Excès d'eau dans le réservoir d'air 2. Humidité élevée 	<ol style="list-style-type: none"> 1. Videz le réservoir. 2. Déplacez vers une zone moins humide; utilisez un filtre en ligne.
Le compresseur fonctionne continuellement	<ol style="list-style-type: none"> 1. Le manostat est défectueux. 2. Utilisation excessive de l'air 3. Fuites d'air 	<ol style="list-style-type: none"> 1. Remplacez le manostat. 2. Diminuez l'utilisation de l'air; le compresseur n'est pas assez gros pour le besoin. 3. Vérifiez tous les branchements avec de l'eau et du savon.
Le compresseur vibre	Les boulons de montage sont lâches	Resserrez.
Le débit d'air est plus bas que la normale	<ol style="list-style-type: none"> 1. Les clapets d'admission sont brisés. 2. Le filtre d'aspiration est sale. 3. Les connexions fuient. 	<ol style="list-style-type: none"> 1. Remplacez l'ensemble de plaque porte-soupape. 2. Nettoyez ou remplacez le filtre d'aspiration. 3. Resserrez les connexions.

⚠ DANGER

Ne démontez pas le clapet anti-retour lorsqu'il y a de l'air dans le réservoir; saignez d'abord le réservoir.

ILLUSTRATION DES PIÈCES DE REMPLACEMENT POUR LE DC03009



**Pour les pièces de remplacement, visitez www.campbellhausfeld.com
24 heures par jour – 365 jours par an**

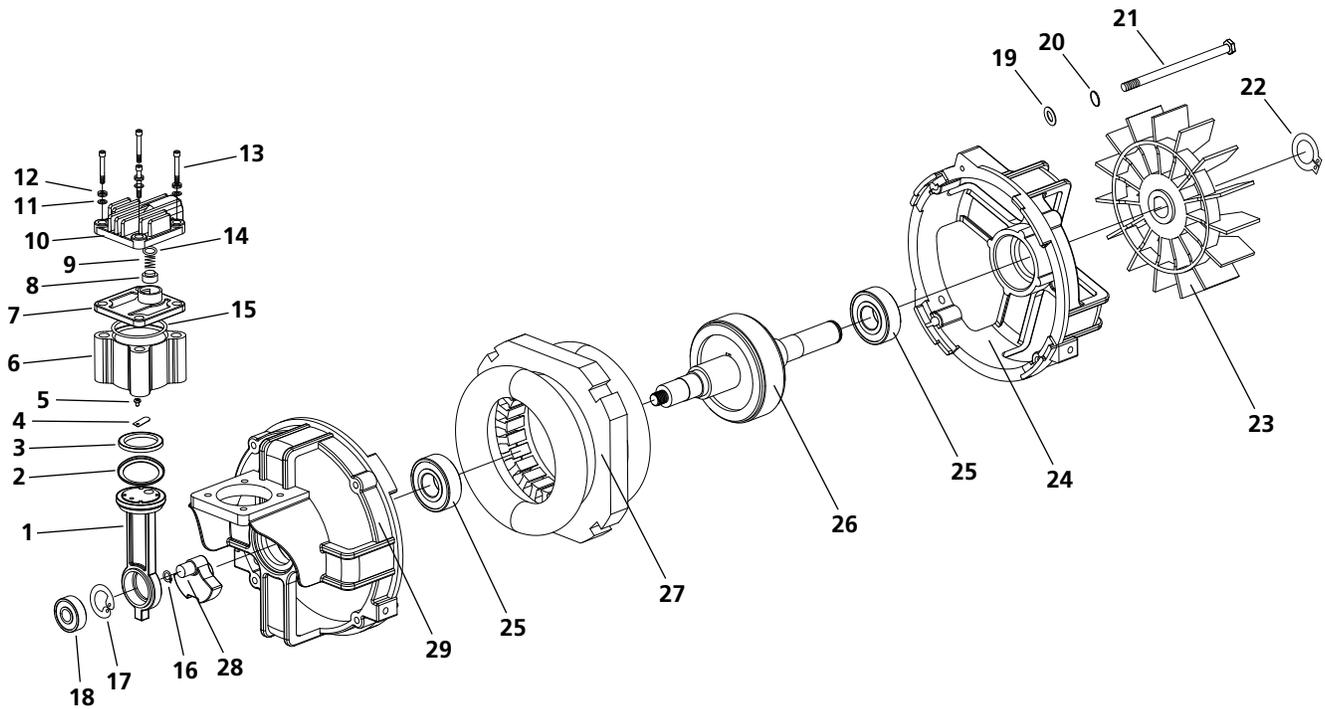
Fournir les informations suivantes :

- Numéro de modèle
- Numéro de série (s'il y en a un)
- Description et numéro de pièce comme indiqué sur la liste des pièces

ILLUSTRATION DES PIÈCES DE REMPLACEMENT POUR LE DC03009

Kits Disponibles		
DC000030AV		
Pompe/Moteur		
Description	Emplacement	Quantité
Assemblage Pompe/Moteur	1	1
DC000040AV		
Collecteur DE COMMANDE		
Description	Emplacement	Quantité
Manomètre Du Réservoir	6	1
Bouchon	7	1
Soupape De Sécurité	8	1
Collecteur D'air	9	1
Connecteur Rapide De 1/4 PO	10	1
Manomètre De Sortie	25	1
DC000050AV		
Kit De Protection		
Description	Emplacement	Quantité
Poignée	2	1
Interrupteur Marche/Arrêt	3	1
Protecteur	4	1
Boulon	5	4
DC000060AV		
Ensemble Du Pied		
Description	Emplacement	Quantité
Écrou	21	4
Coussin Pour Pied	22	4
Rondelle	23	4
Boulon	24	4
Rondelle	32	4
DC000070AV		
Vanne De Drainage		
Description	Emplacement	Quantité
Vanne De Drainage	28	1
Référence Seulement - Indisponible		
Description	Emplacement	
Manostat	11	
Tuyau	12	
Clapet Anti-Retour	13	
Chariot De Sécurité	14	
Condensateur	15	
Couvercle Du Condensateur	16	
Boulon	17, 19	
Cordon D'alimentation	18	
Réservoir	20	
Plaque Du Défecteur	26	
Coude D'échappement	27	
Vis	29	
Rondelle En Étoile	30	
Rondelle Élastique	31	

ILLUSTRATION DES PIÈCES DE REMPLACEMENT POUR L'ENSEMBLE POMPE/MOTEUR DC000030



**Pour les pièces de remplacement, visitez www.campbellhausfeld.com
24 heures par jour – 365 jours par an**

Fournir les informations suivantes :

- Numéro de modèle
- Numéro de série (s'il y en a un)
- Description et numéro de pièce comme indiqué sur la liste des pièces

LISTE DES PIÈCES DE REMPLACEMENT POUR L'ENSEMBLE POMPE/MOTEUR DC000030

Kits Disponibles		
DC000010AV		
Ensemble D'entretien du Piston de la Pompe		
Description	Emplacement	Quantité
Bielle	1	1
Coupelle du Piston	2	1
Plaque de la Reliure	3	1
Soupape	4	1
Boulon	5	1
DC000020AV		
Ensemble D'entretien de la Soupape de la Pompe		
Description	Emplacement	Quantité
Cylindre	6	1
Plaque Porte-Soupape	7	1
Soupape	8	1
Ressort	9, 12	2
Culasse de Cylindre	10	1
Rondelle	11	1
Boulon	13	1
Joint Torique	14	1
Joint D'étanchéité	15	1
Référence Seulement - Indisponible		
Description	Emplacement	
Bague de Retenue Externe	16, 22	
Bague de Retenue Interne	17	
Roulement	18, 25	
Rondelle	19	
Rondelle Élastique	20	
Boulon	21	
Ventilateur de Refroidissement	23	
Capuchon Arrière	24	
Rotor	26	
Stator	27	
Excentrique	28	
Carter	29	

Mémento: Gardez votre preuve datée d'achat à fin de la garantie! Joignez-la à ce manuel ou classez-la dans un dossier pour plus de sécurité.

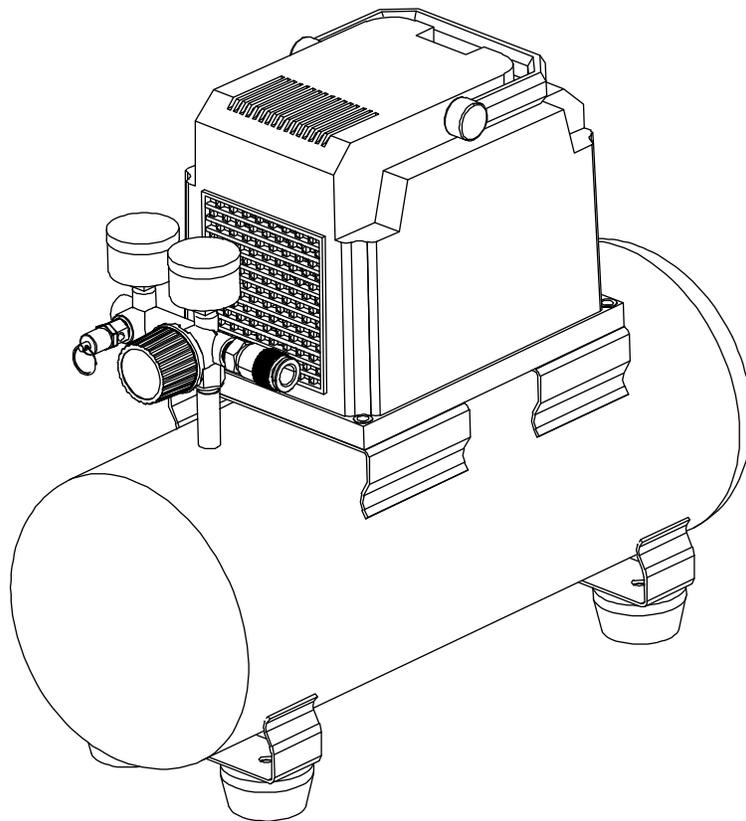
GARANTIE LIMITÉE

1. DURÉE : Comme suit, à compter de la date d'achat par l'acheteur initial : Un an.
2. QUI OFFRE CETTE GARANTIE (DÉBITEUR) : Campbell Hausfeld, une entreprise Marmon/Berkshire Hathaway, 225 Pictoria Drive, Suite 210, Cincinnati, Ohio, 45246, visitez le www.campbellhausfeld.com
3. QUI REÇOIT CETTE GARANTIE (ACHETEUR) : L'acheteur initial (à des fins autres que la revente) du compresseur d'air Campbell Hausfeld.
4. QUELS PRODUITS SONT COUVERTS PAR CETTE GARANTIE : Ce compresseur d'air Campbell Hausfeld DC03009.
5. QU'EST-CE QUI EST COUVERT SOUS CETTE GARANTIE : Pièces et main-d'œuvre afin de remédier aux défauts substantiels causés par les matériaux et la main-d'œuvre pendant la première année de propriété avec les exceptions ci-dessous. Pièces seulement afin de remédier aux défauts substantiels causés par les matériaux et la main-d'œuvre pendant le reste de la période de couverture avec les exceptions ci-dessous.
6. QU'EST-CE QUI N'EST PAS COUVERT SOUS CETTE GARANTIE :
 - A. LA PERTE, LES DOMMAGES OU LES DÉPENSES ACCIDENTELS, INDIRECTS OU CONSÉQUENTS RÉSULTANT D'UN DÉFAUT, D'UNE PANNE OU D'UN MAUVAIS FONCTIONNEMENT DU PRODUIT CAMPBELL HAUSFELD. Certains États n'autorisent pas l'exclusion ou la limitation des dommages accidentels ou consécutifs, par conséquent, la limitation ou l'exclusion mentionnée ci-dessus pourrait ne pas s'appliquer à vous.
 - B. Toute défaillance causée par un accident, le mauvais traitement par l'acheteur, la négligence ou le défaut d'utiliser les produits selon les instructions fournies dans le manuel du propriétaire fourni avec le compresseur.
 - C. Le service précédant la livraison, p. ex., l'assemblage, l'huile ou les lubrifiants, et l'ajustement.
 - D. Les éléments ou le service normalement requis pour l'entretien du produit, p. ex., les lubrifiants, filtres et joints d'étanchéité, etc.
 - E. Les moteurs à essence et les composants sont expressément exclus de la couverture sous la présente garantie limitée. L'acheteur doit respecter la garantie offerte par le fabricant du moteur, lequel est fourni avec le produit
 - F. Éléments supplémentaires non couverts sous cette garantie :
 1. Les éléments exclus relatifs à tous les compresseurs
 - a. Tout composant endommagé lors du transport ou toute raté causée par l'installation ou le fonctionnement de l'unité sous des conditions ne respectant pas les directives d'installation et de fonctionnement ou est endommagé par le contact avec des outils ou l'environnement.
 - b. La panne de la pompe ou de la soupape causée par la pluie, l'humidité excessive, les environnements corrosifs ou autre contaminant.
 - c. Les défauts d'apparence n'interférant pas avec le fonctionnement du compresseur.
 - d. Les réservoirs rouillés, incluant, mais sans y être limité, la rouille causée par un mauvais drainage ou des environnements corrosifs.
 - e. Les composants suivantes sont considérées comme des éléments d'usure normale et ne sont pas couvertes après la première année d'acquisition. Le moteur électrique, le clapet anti-retour, le manostat, le régulateur, les manomètres, le tuyau, la tuyauterie, le conduit, les raccords et les coupleurs, les vis, les écrous, les articles de quincaillerie, les courroies, les poulies, le volant, le filtre à air son compartiment, les joints d'étanchéité, les joints, les fuites d'huile, les fuites d'air, la consommation d'huile ou l'utilisation, les segments de piston.
 - f. Les vannes de drainage du réservoir.
 - g. Les dommages dus à une tension erronée ou à un mauvais câblage.
 - h. Les autres éléments qui ne sont pas énumérés, mais qui sont considérés comme des pièces d'usure normale.
 - i. Les manostats, les régulateurs d'air, les dispositifs de charge/de délestage, les dispositifs de commande de puissance et les soupapes de sécurité qui ont été modifiés de leurs paramètres d'usine.
 - j. Les dommages découlant d'un mauvais entretien du filtre.
 - k. Les moteurs à induction qui sont alimentés à base d'électricité provenant d'une génératrice.
 2. Les éléments exclus qui sont spécifiques aux compresseurs lubrifiés :
 - a. L'usure de la pompe ou les dommages à la soupape en raison de l'utilisation d'une huile non stipulée.
 - b. L'usure de la pompe ou les dommages causés par la contamination de l'huile.
 - c. L'usure de la pompe ou les dommages provoqués par le non-respect des procédures d'entretien de l'huile, d'une utilisation sous le niveau d'huile approprié ou bien d'un fonctionnement sans huile.
 - H. La main-d'œuvre, l'appel de service, ou les frais de transport après la première année de propriété.
7. LES RESPONSABILITÉS DU GARANT SOUS CETTE GARANTIE : La réparation ou le remplacement, à la discrétion du Garant, du compresseur ou du composant qui a fait défaut et/ou qui manqué à se conformer pendant la période de garantie spécifique.
8. LES RESPONSABILITÉS DE L'ACHETEUR SOUS CETTE GARANTIE :
 - A. De fournir une preuve d'achat datée et les dossiers d'entretien.
 - B. Visitez www.campbellhausfeld.com pour obtenir vos options de service sous garantie. Les frais de transport doivent être assumés par l'acheteur.
 - C. Faites preuve de diligence raisonnable dans le fonctionnement et l'entretien des produits, comme décrits dans le manuel du propriétaire.
 - D. Les réparations qui nécessitent des heures supplémentaires, des tarifs de week-end, ou tout ce qui se trouve en dehors des taux de remboursement de la garantie standard du fabricant.
 - E. Le temps requis pour toute vérification de sécurité, formation de sécurité, ou semblable afin que le personnel de service puisse accéder à l'installation.
 - F. L'emplacement de l'unité doit posséder un espace de dégagement adéquat afin que le personnel de service puisse effectuer les réparations de manière adéquate.
9. LORSQUE LE GARANT EFFECTUERA TOUTES LES RÉPARATIONS OU LE REMPLACEMENT SOUS CETTE GARANTIE : La réparation ou le remplacement sera planifié et desservi selon le flux de travail normal à l'emplacement de service, et ce, selon la disponibilité des pièces de remplacement. Cette garantie limitée s'applique aux États-Unis, au Canada et au Mexique uniquement et elle vous confère des droits légaux spécifiques. Vous bénéficiez également d'autres droits qui peuvent varier d'État en État ou de pays en pays.



COMPRESOR DE AIRE DE 11.36 L (3 GALONES)

Manual de Instrucciones y Lista de Piezas



Modelo: DC03009





Por favor, lea y guarde estas instrucciones. Lealas cuidadosamente antes de tratar de montar, instalar, operar o dar mantenimiento al producto aquí descrito.

Protejase usted mismo y a los demás observando toda la información de seguridad. ¡El no cumplir con las instrucciones puede ocasionar daños, tanto personales como a la propiedad! Guarde estas instrucciones para referencia en el futuro.

RECORDATORIO: ¡guarde su comprobante de compra con fecha para fines de la garantía! Adjúntela a este manual o archívela en lugar seguro.

Modelo #: _____

No. de Serie #: _____

Fecha de Compra: _____

Para ordenar repuestos, información de productos y servicios visítenos en www.campbellhausfeld.com

Campbell Hausfeld
225 Pictoria Drive, Suite 210
Cincinnati, Ohio 45246

**¡REGISTRE SU PRODUCTO EN LÍNEA AHORA MISMO! www.campbellhausfeld.com/reg
LEA Y SIGA TODAS LAS INSTRUCCIONES • GUARDE ESTAS INSTRUCCIONES • NO LAS DESECHE**



ANTES DE COMENZAR

Descripción

Las unidades de compresor de aire están diseñadas para proporcionar aire comprimido para herramientas neumáticas, para operar pistolas rociadoras y para suministrar aire a válvulas y actuadores neumáticos. Las bombas suministradas con estas unidades tienen rodamientos lubricados con aceite. Hay una pequeña cantidad de aceite presente en el flujo de aire comprimido. Las aplicaciones que requieran de aire libre de vapores de aceite deben tener instalados los filtros apropiados. Cualquier otro uso de estas unidades anulará la garantía y el fabricante no será responsable de los problemas o daños causados por este mal uso.

DESEMPAQUE

Después de desempacar la unidad, inspecciónela cuidadosamente para detectar cualquier daño que pueda haber ocurrido durante el envío. Verifique que no haya piezas sueltas, faltantes ni dañadas. Asegúrese de que todos los accesorios proporcionados vengan con la unidad. En caso de que tenga preguntas, o de que haya piezas dañadas o faltantes, por favor visite www.campbellhausfeld.com para asistencia al cliente.

⚠ PRECAUCION

Nunca alce o mueva la unidad sin usar un equipo adecuado. Cerciórese de que la unidad esté bien segura. No la tome por los tubos o piezas del sistema de enfriamiento para levantarla. No use la unidad para alzar otros equipos.

⚠ ADVERTENCIA

No debe utilizar la unidad si se ha dañado durante el envío, manejo o uso. Los daños podrían ocasionar una explosión y ocasionarle heridas o daños a su propiedad.

INSTRUCCIONES GENERALES DE SEGURIDAD

Lineamientos de seguridad

Este manual contiene información que es muy importante que se conozca y comprenda. Esta información se proporciona con fines de SEGURIDAD y para EVITAR PROBLEMAS CON EL EQUIPO. Para ayudar a reconocer esta información, observe los siguientes símbolos.

⚠ PELIGRO

Peligro indica una situación inminentemente peligrosa, que si no se evita, dará como resultado la muerte o lesiones graves.

⚠ ADVERTENCIA

Advertencia indica una situación potencialmente peligrosa, que si no se evita, PODRÍA ocasionar la muerte o lesiones graves.

⚠ PRECAUCION

Precaución indica una situación potencialmente peligrosa, que si no se evita, PUEDE dar como resultado lesiones leves o moderadas.

AVISO

Aviso indica una información importante, que de no seguirla, le podría ocasionar daños al equipo.

IMPORTANTE o NOTA: información que requiere atención especial.

Símbolos de Seguridad

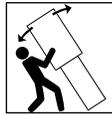
Los siguientes símbolos de seguridad aparecen a lo largo de este manual para advertirle de importantes peligros y precauciones de seguridad.



Use protección para los ojos y máscara



Lea primero el manual



Pesado en la parte superior



Riesgo de incendio



Riesgo de piezas móviles



Riesgo de piezas calientes



Riesgo de explosión



Riesgo de vapores



Riesgo de presión



Riesgo de choque eléctrico

Proposición 65 de California



⚠ ADVERTENCIA

This product can expose you to chemicals including lead, which are known to the State of California to cause cancer and birth defects or other reproductive harm. For more information go to www.P65Warnings.ca.gov.

⚠ ADVERTENCIA

You can create dust when you cut, sand, drill or grind materials such as wood, paint, metal, concrete, cement, or other masonry. This dust often contains chemicals known to cause cancer, birth defects, or other reproductive harm. Wear protective gear.

Ley de Prevención de Envenenamiento por Plomo de Illinois

⚠ ADVERTENCIA

CONTAINS LEAD. MAY BE HARMFUL IF EATEN OR CHEWED. COMPLIES WITH FEDERAL STANDARDS.

Importantes Instrucciones De Seguridad

Sírvase leer y guardar estas instrucciones. Lea con cuidado antes de tratar de armar, instalar, manejar o darle servicio al producto descrito en este manual. Protéjase Ud. y a los demás observando todas las reglas de seguridad. El no seguir las instrucciones podría resultar en heridas y/o daños a su propiedad. Guarde este manual como referencia.

Este manual contiene información sobre seguridad, funcionamiento y mantenimiento. Si tiene preguntas, por favor llame visite www.campbellhausfeld.com para asistencia al cliente.

⚠ PELIGRO ADVERTENCIA SOBRE EL AIRE RESPIRABLE

Este compresor/cabezal no viene listo de fábrica para suministrarle aire respirable. Antes de utilizarlos con este fin, deberá instalarle un sistema de seguridad y alarma incorporado a la línea. Este sistema adicional es necesario para filtrar y purificar el aire adecuadamente, para cumplir con las especificaciones mínimas sobre aire respirable de Grado D descritas en la Especificación de Productos G 7.1 de la Asociación de Aire Compri-mido. Igualmente, deberá cumplir los requisitos establecidos por el Artículo 29 CFR 1910. 134 de la Organización norteamericana OSHA y/o la Canadian Standards Associations (CSA).

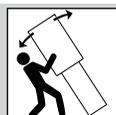
RENUNCIA A LAS GARANTIAS

Si el compresor se utiliza para producir aire respirable SIN haberle instalado el sistema de seguridad y alarma, todas la garantías se anularán y el fabricante no asumirá NINGUNA responsabilidad por pérdidas, heridas personales o daños.

**Generales Seguridad**

Como el compresor de aire y otros componentes usados (bomba de material, pistolas pulverizadoras, filtros, lubricadores, mangueras, etc.) integran un sistema de alta presión, en todo momento deberá seguir las siguientes medidas de seguridad:

- Lea con cuidado todos los manuales incluidos con este producto. Familiarícese con los controles y el uso adecuado del equipo.
- Siga todos los códigos de seguridad laboral y electricidad establecidos en su país, por ejemplo, los de la NEC y OSHA en EUA.
- Este compresor sólo debe ser usado por personas que estén bien familiarizadas con las reglas de seguridad de manejo.
- Mantenga a los visitantes alejados y NUNCA permita la presencia de niños en el área de trabajo.
- Siempre use anteojos de seguridad y protéjase los oídos para operar el cabezal o el compresor.
- No se encarama sobre el cabezal, ni lo use para sostenerse.
- Antes de cada uso, inspeccione el sistema de aire comprimido y los componentes eléctricos para ver si están dañados, deteriorados, desgastados o tienen fugas. Repare o reemplace las piezas dañadas antes de usar el equipo.
- Chequee todas las conexiones frecuentemente para cerciorarse de que estén bien apretadas.
- No se ponga ropa muy holgada o joyas, ya que éstas se le podrían enredar en las piezas en movimiento.

**⚠ ADVERTENCIA**

Este compresor es extremadamente pesado. Tenga cuidado al mover la unidad y asegúrese de colocarla en una superficie nivelada cuando la use.

⚠ ADVERTENCIA

Nunca instale una válvula de cierre entre la bomba del compresor y el tanque.

**⚠ ADVERTENCIA**

Los motores, equipos eléctricos y controles, pueden ocasionar arcos eléctricos que se encenderían con gases o vapores inflamables. Nunca utilice o repare el compresor cerca de gases o vapores inflamables. Nunca almacene líquidos o gases inflamables cerca del compresor.

**⚠ ADVERTENCIA**

Nunca utilice el compresor sin la tapa de las bandas. Los compresores se pueden encender automáticamente sin previo aviso. Las piezas en movimiento podrían ocasionarle heridas o daños a su propiedad.

**⚠ PRECAUCION**

Las piezas del compresor podrían estar calientes, inclusive cuando la unidad esté apagada.

INSTRUCCIONES GENERALES DE SEGURIDAD (CONTINUACIÓN)

- Si el equipo comienza a vibrar excesivamente, APAGUE el motor y chequéelo inmediatamente para determinar la razón. Generalmente, la vibración excesiva se debe a una falla.
- Para reducir el peligro de incendio, mantenga el exterior del motor libre de aceite, solventes o exceso de grasa.
- Nunca trate de ajustar la válvula de seguridad ASME. Evite que se le acumule pintura u otros residuos.

⚠ ADVERTENCIA

DEBE instalarle una válvula de seguridad ASME que esté diseñada para presiones máximas de 13,8 bar, en el tanque de este compresor. Esta válvula debe estar diseñada para los valores máximos de flujo y presión para proteger los componentes contra el peligro de explosión.

⚠ PRECAUCION

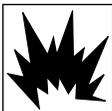
Consulte la presión máxima de operación en las especificaciones del compresor. No lo utilice con el presostato o las válvulas piloto fijados a presiones que excedan las especificaciones.

⚠ ADVERTENCIA

La presión de operación máxima es 12,1 bar para compresores de etapa única. No opere con el interruptor de presión o las válvulas de piloto configuradas a más de 12,1 bar (2 etapas).

⚠ ADVERTENCIA

Nunca use tuberías de plástico (PVC) con aire comprimido. Ésto podría ocasionarle heridas graves.



⚠ ADVERTENCIA

¡Nunca trate de reparar o modificar el tanque! Si lo suelda, taladra o modifica de cualquier otra manera, el tanque se debilitará y podría romperse o explotar. Siempre reemplace los tanques desgastados, rotos o dañados.

AVISO

Drene el líquido del tanque diariamente.

- Los tanques se oxidan debido a la acumulación de humedad y esto debilita el tanque. Cerciórese de drenar el tanque con regularidad e inspeccionarlo periódicamente, para ver si está en malas condiciones, por ejemplo, si está oxidado.
- La circulación rápida de aire podría levantar polvo y desperdicios dañinos. Siempre libere el aire lentamente para drenar el tanque o liberar la presión del sistema.

Precauciones Para Rociar

⚠ ADVERTENCIA

Nunca rocíe materiales inflamables cerca de llamas al descubierto o fuentes de ignición, incluyendo el compresor.

- No fume mientras esté rociando pintura, insecticidas u otras sustancias inflamables.
- Use una máscara/respirador cuando vaya a rociar y siempre rocíe en un área bien ventilada, para evitar peligros de salud e incendios.
- Nunca rocíe pintura ni otros materiales, directamente hacia el compresor. Coloque el compresor lo más lejos posible del área de trabajo, para minimizar la acumulación de residuos en el compresor.
- Al rociar o limpiar con solventes o químicos tóxicos, siga las instrucciones del fabricante de dichos químicos.



Los símbolos de **PELIGRO**, **ADVERTENCIA**, **PRECAUCIÓN** y **AVISO** y las instrucciones en este manual no pueden posiblemente cubrir todas las condiciones y situaciones posibles que puedan presentarse.

El usuario debe entender que las precauciones y el sentido común son factores que no pueden incorporarse en este producto: es el usuario mismo quien debe contribuirlos.

**GUARDE ESTAS INSTRUCCIONES –
NO LAS DESECHE**

CONOZCA SU COMPRESOR

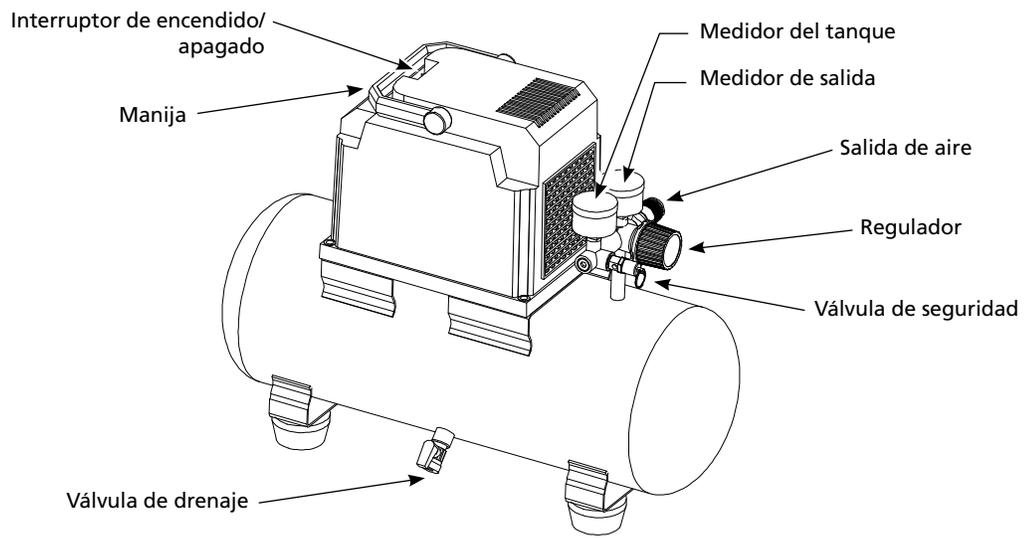


Figura 1

ESPECIFICACIONES

DC03009	
HP del motor	1/3
Capacidad del tanque	11.36 L
Fases	Monofasico
Cantidad de cilindros	1
Suministro de aire @ 6,2 bar	0.01 m3/h
Voltaje	120
Amperios	3,5
Hertz (Ciclos)	60
Presión máxima	8.62 bar
Tamaño de salida del tanque	Conexion rapida de 6,4 mm (1/4 pulg.)
Peso de la unidad	11.66 kg

DIMENSIONES

DC03009	
Long.	51 cm (20,08 pulg.)
Anch.	18.49 cm (7,28 pulg.)
Alt.	41.5 cm (16,34 pulg.)

bar / PSI (libra por pulgada cuadrada): Medida de la presión ejercida por la fuerza del aire. La salida real en PSI es medida por un medidor de presión en el compresor.

SCFM (pies cúbicos estándar por minuto): A veces llamado CFM (pies cúbicos por minuto). Medida del volumen de aire suministrado por el compresor.

Suministro de aire: Una combinación de PSI y SCFM. El suministro de aire requerido por un herramienta se indica como (número) SCFM a (número) PSI. La combinación de estas cifras determina qué tamaño de unidad se necesita.

Capacidad del tanque de aire: El volumen de aire almacenado en el tanque disponible para el uso inmediato. Un tanque grande permite el uso intermitente de una herramienta de aire con un requerimiento de aire mayor al suministro nominal del compresor.

Amperios o Amperaje: Una medida de fuerza eléctrica menos la resistencia de una línea eléctrica. Este compresor de aire requiere 15 amperios para su funcionamiento. Asegúrese de que el compresor funcione en una línea eléctrica que use el amperaje adecuado. Si otros dispositivos operan en la misma línea, reducirán el amperaje disponible. Si el amperaje no es el adecuado, esto puede hacer que los fusibles se quemen o que los circuitos se disparen.

Voltios o voltaje: Una medida de la fuerza de una corriente eléctrica.

Presión de conexión / Disyunción: PSI específica a la cual un compresor se inicia o se detiene mientras se recarga el tanque de aire.

Regulador: El regulador controla la cantidad de presión de aire en la salida del tubo. Si gira la perilla del regulador en el sentido de las agujas del reloj (hacia la derecha), la presión de aire a la salida aumentará. Si gira la perilla del regulador en sentido contrario a las agujas del reloj (hacia la izquierda), la presión de aire a la salida disminuirá. Si gira la perilla completamente hacia la izquierda, cerrará por completo el flujo de aire.

Manija: Diseñada para mover el compresor.

Válvula de seguridad ASME: Esta válvula automáticamente libera aire si la presión del tanque sobrepasa el máximo predeterminado.

Tubo de escape: Este tubo transporta el aire comprimido desde la bomba hasta la válvula de retención. Este tubo se pone muy caliente cuando está en uso. Para evitar el riesgo de quemaduras graves, nunca toque el tubo de escape.

Válvula de retención: Válvula de una sola vía que permite que el aire entre al tanque, pero evita que el aire del tanque se devuelva a la bomba de compresor.

Salida de aire: Un acoplador de conexión rápida diseñado para trabajar en combinación con un enchufe de conexión rápida para unir rápida y fácilmente el compresor a una manguera de aire.

CONOZCA SU COMPRESOR (CONTINUACIÓN)



Medidores de presión: Estos medidores mostrarán la presión del aire en el tanque del compresor y en la salida del compresor.



Medidor de presión de salida: Mostrará la presión del aire en la salida en libras por pulgada cuadrada (PSI). Asegúrese de que este medidor esté en CERO (al ajustar la perilla del regulador completamente en sentido contrario a las agujas del reloj) antes de cambiar las herramientas de aire o desconectar el tubo de aire de la salida.

Medidor de presión en el tanque: Mostrará la presión de aire en el tanque mientras el compresor está en uso, indicando que el compresor está acumulando la presión adecuada. Este medidor indicará la presión máxima del compresor cuando se apague automáticamente en el interruptor de presión.

Válvula de drenaje: Esta válvula está ubicada debajo del tanque. Use esta válvula a diario para drenar la humedad del tanque y reducir el riesgo de corrosión.

PRECAUCION

Drene el líquido del tanque a diario.

Reduzca la presión del tanque a menos de 10 PSI, luego drene la humedad del tanque a diario para evitar la corrosión del mismo. Drene la humedad del tanque al abrir la válvula de drenaje ubicada debajo del tanque.

ESPECIFICACIONES DEL MOTOR Y REQUERIMIENTOS ELÉCTRICOS



Suministro de energía y especificaciones del motor

AVISO

Para reducir los peligros eléctricos, peligros por incendio o daños a la herramienta, use la protección de circuito adecuada.

AVISO

El cableado ha sido preparado en la fábrica para la operación de su herramienta con el voltaje indicado. Conecte la herramienta a una línea eléctrica con el voltaje adecuado y un circuito derivado de 15 amp. Utilice un fusible de acción retardada de 15 amp o un disyuntor.

AVISO

Para reducir el riesgo de descarga eléctrica o incendio, si el cable de energía está desgastado o cortado, o dañado de cualquier forma, reemplácelo de inmediato.

El motor AC utilizado en este compresor es un condensador de separación permanente de inducción irreversible y tiene las siguientes especificaciones. El cableado se prepara en la fábrica para la operatividad del motor con un voltaje de 4120V AC, 60 Hz.

ESPECIFICACIONES DEL MOTOR

Voltaje	120
Amperios	3,5
Hertz (Ciclos)	60
Fases	Monofásico
RPM	3400

Conexiones eléctricas generales

⚠ ADVERTENCIA

Riesgo de descarga eléctrica. Utilice un interruptor de circuito por falla a tierra (GFCI). Use únicamente en espacios interiores. Desconecte todas las conexiones antes de hacer mantenimiento. Use refacciones idénticas. El servicio debe ser realizado por un electricista calificado y con licencia.

En caso de falla o descompostura, la conexión a tierra ofrece una ruta de menor resistencia para la corriente eléctrica, para reducir el riesgo de descarga eléctrica. Este compresor está equipado con un cable eléctrico que tiene un conductor de conexión a tierra y una clavija de tierra, como se muestra. El enchufe debe conectarse a un tomacorriente del mismo tipo que esté apropiadamente instalado y conectado a tierra de acuerdo con todos los códigos y ordenanzas locales.

La conexión inapropiada del conductor a tierra del equipo puede causar riesgo de descarga eléctrica. El conductor con aislante que tiene una superficie exterior verde con o sin bandas amarillas es el cable de conexión a tierra del equipo. Si es necesario reparar o reemplazar el cable eléctrico o el enchufe, no conecte el cable de tierra del equipo a un tomacorriente con electricidad.

Si no comprende totalmente las instrucciones para conexión a tierra, o si tiene dudas respecto a si el compresor está conectado a tierra apropiadamente, consulte a un electricista calificado o al personal de servicio.

Instrucciones de conexión a tierra

- Este producto es para usarse en un circuito con 120 voltios nominales. Debe estar conectado a tierra. En caso de cortocircuito eléctrico, la conexión a tierra reduce el riesgo de descarga eléctrica al proporcionar un cable de escape para la corriente eléctrica. La unidad está equipada con un cable que tiene una clavija de tierra. Encajará en uno de los tipos comunes de tomacorriente que se muestran en la Figura 2. Si el enchufe no encaja en el tomacorriente deseado, haga que un electricista calificado cambie el enchufe o el tomacorriente.
- Siempre consulte a un electricista calificado o al personal de servicio si no comprende totalmente las instrucciones para conexión a tierra, o si tiene dudas respecto a si el producto está conectado a tierra apropiadamente. No modifique el enchufe proporcionado; si no encaja en el tomacorriente, haga que un electricista calificado instale el tomacorriente apropiado.
- Utilice sólo una extensión de 3 conductores que tenga un enchufe de 3 clavijas con conexión a tierra y un tomacorriente de 3 agujeros que acepte el enchufe del producto. Asegúrese de que su cable de extensión no está dañado. Al usar un cable de extensión, asegúrese de usar uno lo suficientemente robusto para llevar la corriente que demanda su producto. Para longitudes menores a 25 pies. Deben usarse cables de extensión 16-3 AWG. Un cable demasiado pequeño causará una caída de voltaje y pérdida de potencia y sobrecalentamiento. (AVISO: La Tabla 1 muestra el tamaño correcto a usar dependiendo de la longitud del cable. En caso de duda, use el calibre superior. Mientras menor sea el número de calibre, más pesado es el cable).
- El uso de un cable de extensión puede causar exceso de calor en el motor. Esto podría llevar a que se dispare el disyuntor (en el panel eléctrico) o el protector térmico (en el motor del compresor). Si ocurre esto, elimine el cable de extensión y conecte el compresor directamente en el tomacorriente. Evite usar cables de extensión; use mejor mangueras de aire más largas.

Si es necesario reparar o reemplazar el cable o el enchufe, no conecte el cable de tierra a ninguna de las terminales planas. El cable con aislante que tiene una superficie exterior verde con o sin bandas amarillas es el cable de tierra.

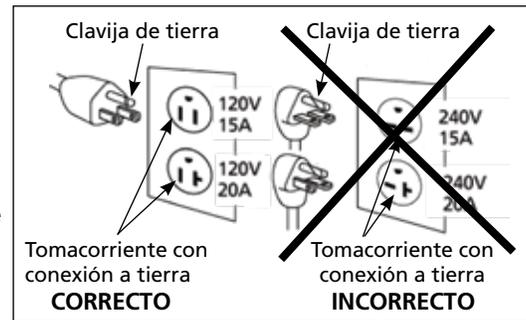


Figura 2 - Método de conexión a tierra

⚠ ADVERTENCIA

Riesgo de descarga eléctrica. El uso inapropiado de la clavija de conexión a tierra puede causar un riesgo de descarga eléctrica. El enchufe debe conectarse a un tomacorriente que esté apropiadamente instalado y conectado a tierra de acuerdo con los códigos y ordenanzas locales.

AVISO

No use un adaptador para la conexión a tierra.

ESPECIFICACIONES DEL MOTOR Y REQUERIMIENTOS ELÉCTRICOS (CONTINUACIÓN)

Cables de extensión

1. El compresor de aire debe colocarse en donde pueda conectarse directamente a un tomacorriente. Aunque no se recomienda usar un cable de extensión, si es necesario utilice solo una extensión de 3 conductores que tenga un enchufe de 3 clavijas con conexión a tierra y un tomacorriente de 3 agujeros que acepte el enchufe del producto. Cuando use un cable de extensión, asegúrese de usar uno lo bastante robusto para llevar la corriente que demanda el producto.
2. Para evitar pérdida de potencia y sobrecalentamiento, debe usarse una manguera de aire adicional para alcanzar el área de trabajo en lugar de cables de extensión.

RANGO DE CAPACIDAD EN AMPERIOS	VOLTAJE	LONGITUD DEL CABLE EN PIES		
	120V	25 pies	50 pies	100 pies
3 - 4		18	18	16

120 volt, 60Hz Información:

El enchufe suministrado con su compresor podría no encajar en el tomacorriente que planea usar. Su código eléctrico local podría requerir conexiones eléctricas ligeramente distintas. Si existen estas diferencias, consulte su código local y haga los ajustes requeridos antes de conectar y encender su compresor.

Enchufes y tomacorrientes

1. Si el enchufe del cable de alimentación de la unidad no le resulta familiar o no encaja en su tomacorriente, la Figura 2 le ayudará a entender por qué, ya que ilustra los diferentes tipos de enchufe y los voltajes con los que se utilizan.
2. Asegúrese de que el producto se conecte a un tomacorriente que tenga la misma configuración que el enchufe.
3. Los tomacorrientes deben estar conectados a circuitos con la capacidad nominal de surtir al menos el voltaje y amperaje indicados.
4. NUNCA reemplace un tomacorriente con uno de mayor amperaje antes de determinar que el cambio es factible de acuerdo con todos los códigos eléctricos que afecten su área específica. La instalación debe ser hecha por un electricista calificado. Si los productos necesitan reconectarse para su uso en diferentes tipos de circuitos, la reconexión debe ser realizada por personal calificado.

⚠ ADVERTENCIA

El cableado inadecuado causará sobrecalentamiento, cortocircuitos y daños por incendio.

Instalación eléctrica

⚠ ADVERTENCIA

Todo el cableado y las conexiones eléctricas deben ser realizados por un electricista calificado. La instalación debe cumplir con los códigos locales y los códigos eléctricos nacionales.

Cableado

1. Los códigos locales de cableado eléctrico cambian de un área a otra. El cableado de alimentación, enchufe y protector deben tener capacidad al menos para el amperaje y voltaje que aparecen en la placa del motor, y deben cumplir con todos los códigos eléctricos para estos valores mínimos.
2. Use un fusible de acción retardada o un disyuntor.
3. Este producto debe usarse en un circuito para 120 voltios nominales y tiene un enchufe para tierra parecido al que aparece en la Figura 2.

Asegúrese de que el producto está conectado a un tomacorriente que tenga la misma configuración que el enchufe. Este producto debe estar conectado a tierra. En caso de un cortocircuito eléctrico, la conexión a tierra reduce el riesgo de descarga eléctrica al proporcionar un cable de escape a la corriente eléctrica. Este producto está equipado con un cable que tiene un conductor a tierra con un enchufe apropiado para conexión a tierra. El enchufe debe conectarse a un tomacorriente que esté apropiadamente instalado y conectado a tierra de acuerdo con todos los códigos y ordenanzas locales.

⚠ PRECAUCION

El cableado inadecuado causará sobrecalentamiento, cortocircuitos y daños por incendio.

No modifique el enchufe proporcionado. Si no encaja en el tomacorriente, haga que un electricista calificado instale el tomacorriente apropiado.

⚠ PRECAUCION

Si no está apropiadamente conectado a tierra, esta herramienta puede causar descarga eléctrica, en especial cuando se usa en lugares mojados, cerca de las tuberías, exteriores.

⚠ PELIGRO

¡No use un adaptador a tierra con este producto!

⚠ ADVERTENCIA

Todo el cableado y las conexiones eléctricas deben ser realizados por un electricista calificado. La instalación debe cumplir con los códigos locales y los códigos eléctricos nacionales.

⚠ ADVERTENCIA

La instalación inapropiada de la clavija de conexión a tierra puede causar un riesgo de descarga eléctrica. Cuando sea necesario reparar o reemplazar el cable o el enchufe, no conecte el cable de tierra a ninguna de las terminales planas. El cable con aislante que tiene una superficie exterior verde con o sin bandas amarillas es el cable de tierra.

⚠ ADVERTENCIA

Nunca conecte el cable verde (o el verde y amarillo) a una terminal viva.

⚠ PRECAUCION

El cableado inadecuado causará sobrecalentamiento, cortocircuitos, daños por incendio, etc.

Protector de sobrecarga térmica

Este compresor tiene un protector térmico automático que apaga el motor si se sobrecalienta o tiene demasiada corriente. Este protector es del tipo "disparar y sostener". Para reiniciarlo, desconecte el compresor y permita que se enfríe por completo. Esto debería permitir que la sobrecarga automática se reinicie. El protector no se reiniciará si no se desconecta.

Debe permitir que el motor se enfríe antes de que pueda iniciarlo. El motor puede reiniciarse automáticamente sin avisar si se deja conectado en el tomacorriente eléctrico y el motor está encendido.

INSTALACIÓN

1. Revise y apriete todos los pernos, ajustes, etc., antes de operar el compresor.
2. Opere el compresor en un área ventilada para que el compresor pueda enfriarse adecuadamente.
3. El compresor debe colocarse en donde pueda conectarse directamente a un tomacorriente. No use cables de extensión con esta unidad.
4. Para evitar pérdida de potencia y sobrecalentamiento, debe usarse una manguera de aire adicional para alcanzar el área de trabajo en vez de cables de extensión eléctrica.

OPERACIÓN

Procedimiento de operación antes de iniciar

1. Gire la perilla del regulador completamente en sentido contrario a las agujas del reloj (hacia la izquierda) para cerrar el flujo de aire.
2. Conecte la manguera de aire al tomacorriente del regulador.
3. Coloque el interruptor encendido/apagado en la posición de apagado.
4. Conecte el cable de alimentación.
5. Coloque el interruptor de encendido/apagado en la posición de encendido y opere el compresor hasta que alcance la presión de apagado automático.
6. Una la aguja o herramienta de caucho al extremo de la manguera.
7. Ajuste el regulador a la presión adecuada para la herramienta o caucho. Siga las instrucciones para operar la herramienta.

Como el aire es vaciado desde el tanque con el uso de la aguja, herramienta de caucho, etc., el compresor se reiniciará automáticamente a su presión por defecto "de conexión". Cuando se usa una herramienta continuamente, el compresor tendrá un ciclo automático de encendido y apagado.

8. Coloque el interruptor en la posición de apagado, desconecte el cable de alimentación y drene el tanque.

HUMEDAD EN EL AIRE COMPRIMIDO

La humedad que se acumula en el aire comprimido se convierte en gotas a medida que sale de la bomba. Cuando el nivel de humedad es muy alto o cuando el compresor ha estado en uso continuo por mucho tiempo, esta humedad se acumulará en el tanque. Cuando esté pintando o rociando arena, la humedad saldrá del tanque mezclada con el material que esté rociando.

IMPORTANTE: Esta condensación ocasionará manchas en la pintura, especialmente cuando esté pintando con pinturas que no sean a base de agua. Si está rociando arena, la humedad hará que la arena se aglutine y obstruya la pistola. Un filtro en la línea de aire, ubicado lo más cerca posible de la pistola, ayudará a eliminar esta humedad.

MANTENIMIENTO

⚠ ADVERTENCIA

Desconecte la fuente de alimentación y expulse toda la presión del sistema antes de intentar instalar, limpiar, reubicar o realizar otra función de mantenimiento. La limpieza debe realizarla un representante autorizado de limpieza.

El compresor debe revisarse con frecuencia para ver si hay algún problema visible y deben realizarse los siguientes procedimientos de mantenimiento cada vez que se use el compresor.

Válvula de seguridad ASME

⚠ ADVERTENCIA

Use anteojos de seguridad. Revise la válvula de seguridad antes de realizar los siguientes pasos:

1. Encienda el compresor de aire y deje que el tanque se llene. El compresor se apagará cuando la presión llegue al máximo preestablecido.
2. Apague el compresor de aire.
3. Hale el anillo de la válvula de seguridad para liberar el aire por varios segundos. SIEMPRE use su mano para desviar el aire a alta velocidad que pasa por su cara.
4. Suelte el anillo. El aire dejará de salir cuando suelte el anillo aproximadamente a 40 PSI - 60 PSI.
5. Si el aire se escapa después de haber soltado el anillo, o si se atasca la válvula y no puede manejarse con el anillo, retire la unidad del servicio. NO use el compresor de aire hasta que se haya reemplazado la válvula de seguridad. Usar el compresor de aire en esta condición puede causar la muerte o lesiones corporales graves.

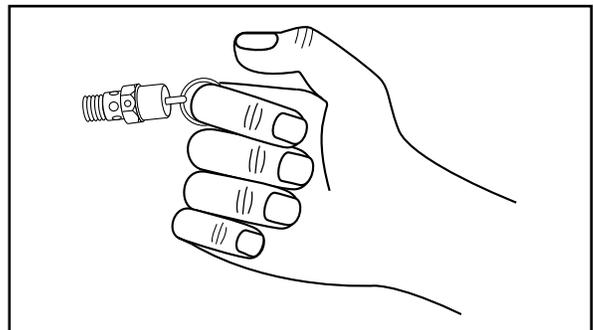


Figura 3

⚠ ADVERTENCIA

Se debe reemplazar la válvula si no funciona o se escapa el aire después de soltar el anillo.



Drenaje del tanque

Con el compresor apagado y la presión liberada: Drene la humedad de los tanques abriendo la válvula de drenaje que está debajo de los tanques (Ver la figura 4).

Limpieza

Apague la alimentación y limpie el polvo y suciedad del motor, tanque, líneas de aire y aletas de enfriamiento de la bomba.

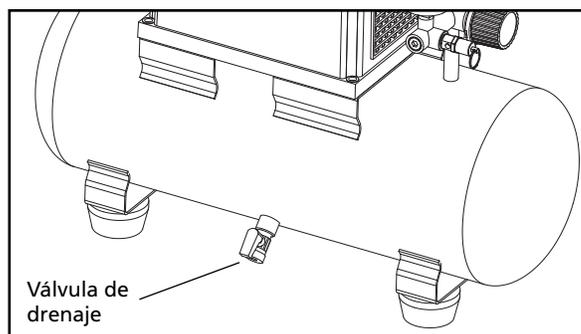


Figura 4

IMPORTANTE: La unidad debe colocarse tan lejos del área de rociado como lo permita la manguera para evitar que el sobre rociado obstruya el filtro de aire.

Filtro de aire

Revise el filtro de aire para asegurarse de que esté limpio. Para limpiar un filtro, retire la tapa de la carcasa del filtro. Retire el filtro y limpie la espuma o filtro en agua jabonosa, caliente (no se puede lavar los papeles filtro). Enjuague y deje secar. Reemplace los filtros de aire que no se pueden limpiar. Coloque de nuevo el filtro en la base de la carcasa. Coloque la tapa.

Lubricación

Este es un tipo de compresor sin aceite que no requiere lubricación.

Finalizar la operación/almacenamiento

1. Coloque el interruptor de ENCENDIDO/APAGADO automático en la posición de apagado.
2. Desconecte el cable de alimentación del tomacorriente de la pared y enrolle alrededor de la manilla para evitar que se dañe cuando no se use.
3. Usando gafas de seguridad, hale el anillo de la válvula de seguridad para drenar el tanque de aire. Use su otra mano para desviar el aire a alta velocidad y evitar que se dirija hacia su cara.
4. Drene el tanque de condensación abriendo la válvula de drenaje en la parte inferior del tanque. Cuando se drena el tanque la presión de este debe estar por debajo de los 10 PSI.
5. La manguera de aire debe estar desconectada del compresor y el extremo abierto debe colgar hacia abajo para drenar la condensación.
6. El compresor y la manguera deben almacenarse en un lugar seco y fresco.

Servicio técnico

Para obtener información sobre el funcionamiento o reparación de este producto, visite www.campbellhausfeld.com.

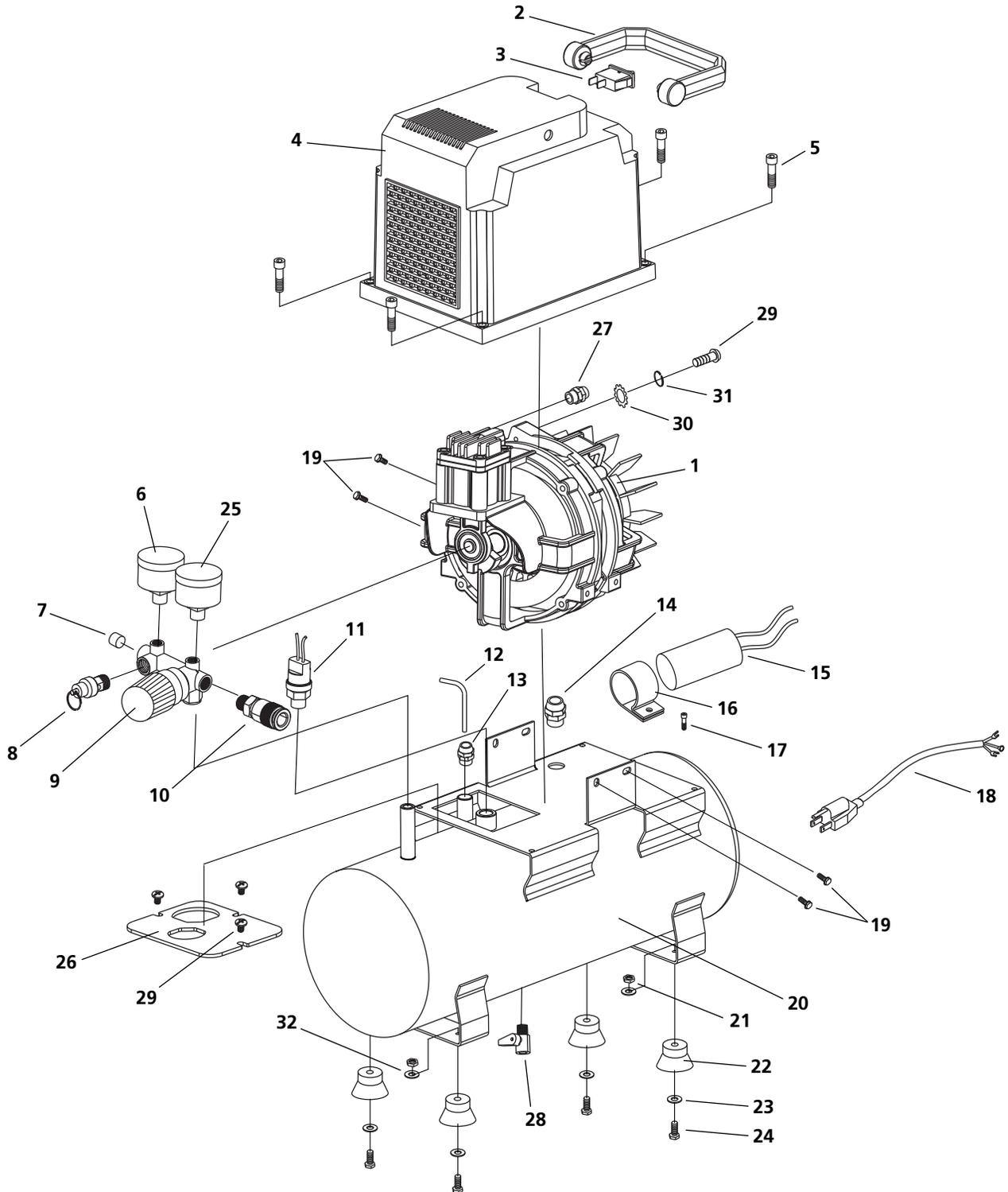
PROGRAMA DE MANTENIMIENTO		
Operación	Diaria	Semanal
Drenaje del tanque	●	
Revise el filtro de aire		●
Revise la válvula de seguridad		●
Sople la suciedad de la parte interna del motor		●

GUIA DE IDENTIFICACION DE PROBLEMAS

SÍNTOMA	CAUSA(S) POSIBLE(S)	MEDIDA CORRECTIVA
El compresor no funcionará	<ol style="list-style-type: none"> 1. La unidad está enchufada a un cable de extensión 2. No hay energía eléctrica 3. Fusible fundido 4. Disyuntor abierto 5. Sobrecarga térmica abierta 6. El bobinado del motor está abierto o cortado 	<ol style="list-style-type: none"> 1. Retire el cable de extensión o use un calibrador de cable más largo. 2. ¿Encendió el interruptor de presión? ¿Está enchufado? Revise el fusible/disyuntor o sobrecarga del motor. 3. Reemplace el fusible fundido. 4. Reinicie, determine por qué ocurrió el problema. 5. Desconecte y deje que el motor se enfríe antes de tratar de reiniciar. 6. Reemplace el motor.
El motor zumba pero no funciona o funciona con lentitud	<ol style="list-style-type: none"> 1. Bajo voltaje 2. La unidad está enchufada a un cable de extensión 3. El bobinado del motor está abierto o cortado 4. Válvula de retención o descargador defectuoso 	<ol style="list-style-type: none"> 1. Revise con un voltímetro. 2. Retire el cable de extensión o use un calibrador de cable más largo. 3. Reemplace el motor. 4. Reemplace o repare.
Los fusibles se funden/el disyuntor falla repetidamente	<ol style="list-style-type: none"> 1. Tamaño incorrecto de los fusibles, circuito sobrecargado 2. La unidad está enchufada a un cable de extensión 3. Válvula de retención o descargador defectuoso 	<ol style="list-style-type: none"> 1. Revise que sea el fusible adecuado, use fusibles con ajuste de tiempo. Desconecte los otros artefactos eléctricos del circuito u opere el compresor en su propia rama de circuito. 2. Retire el cable de extensión o use un calibrador de cable más largo. 3. Reemplace.
El protector de sobrecarga térmica se daña con frecuencia	<ol style="list-style-type: none"> 1. Bajo voltaje 2. Filtro de aire obstruido 3. Falta de ventilación adecuada /la temperatura de la habitación es muy alta 4. La unidad está enchufada a un cable de extensión 	<ol style="list-style-type: none"> 1. Revise con un voltímetro. 2. Limpie el filtro (vea la sección de Mantenimiento). 3. Mueva el compresor a un área bien ventilada. 4. Retire el cable de extensión o use un calibrador de cable más largo.
La presión del tanque de aire baja cuando el compresor se apaga	<ol style="list-style-type: none"> 1. Las conexiones están flojas (conectores, tubería, etc.) 2. Válvula de drenado floja 3. La válvula de retención tiene una fuga 4. Revise el tanque para detectar grietas o agujeros. 	<ol style="list-style-type: none"> 1. Revise todas las conexiones con una solución de agua y jabón y apriete. 2. Apriete. 3. Desarme el ensamblaje de la válvula de retención, limpie o reemplace. 4. Cambie el tanque. Nunca repare un tanque dañado.
Exceso de humedad al descargar el aire	<ol style="list-style-type: none"> 1. Exceso de agua en el tanque de aire 2. Alta humedad 	<ol style="list-style-type: none"> 1. Drene el tanque. 2. Muévase a un área con menos humedad; use el filtro de la línea de aire.
El compresor funciona continuamente	<ol style="list-style-type: none"> 1. Interruptor de presión defectuoso 2. Uso excesivo de aire 3. Fugas de aire 	<ol style="list-style-type: none"> 1. Reemplace el interruptor. 2. Disminuir el uso de aire; el compresor no es lo suficientemente amplio para un requerimiento. 3. Revise todas las conexiones con una solución de agua y jabón.
El compresor vibra	Pernos de montaje flojos	Apriete.
La salida de aire es más baja de lo normal	<ol style="list-style-type: none"> 1. Válvulas de entrada rotas 2. El filtro de entrada está sucio 3. Las conexiones tienen una fuga 	<ol style="list-style-type: none"> 1. Reemplace el conjunto de placa de válvula. 2. Limpie o reemplace el filtro de entrada. 3. Apriete las conexiones.

⚠ PELIGRO

No desarme la válvula de retención cuando haya presión de aire en el tanque; drene primero el tanque.

ILUSTRACIÓN DE LOS REPUESTOS PARA DC03009

**Para Repuestos, visite www.campbellhausfeld.com
24 horas al día, 365 días al año**

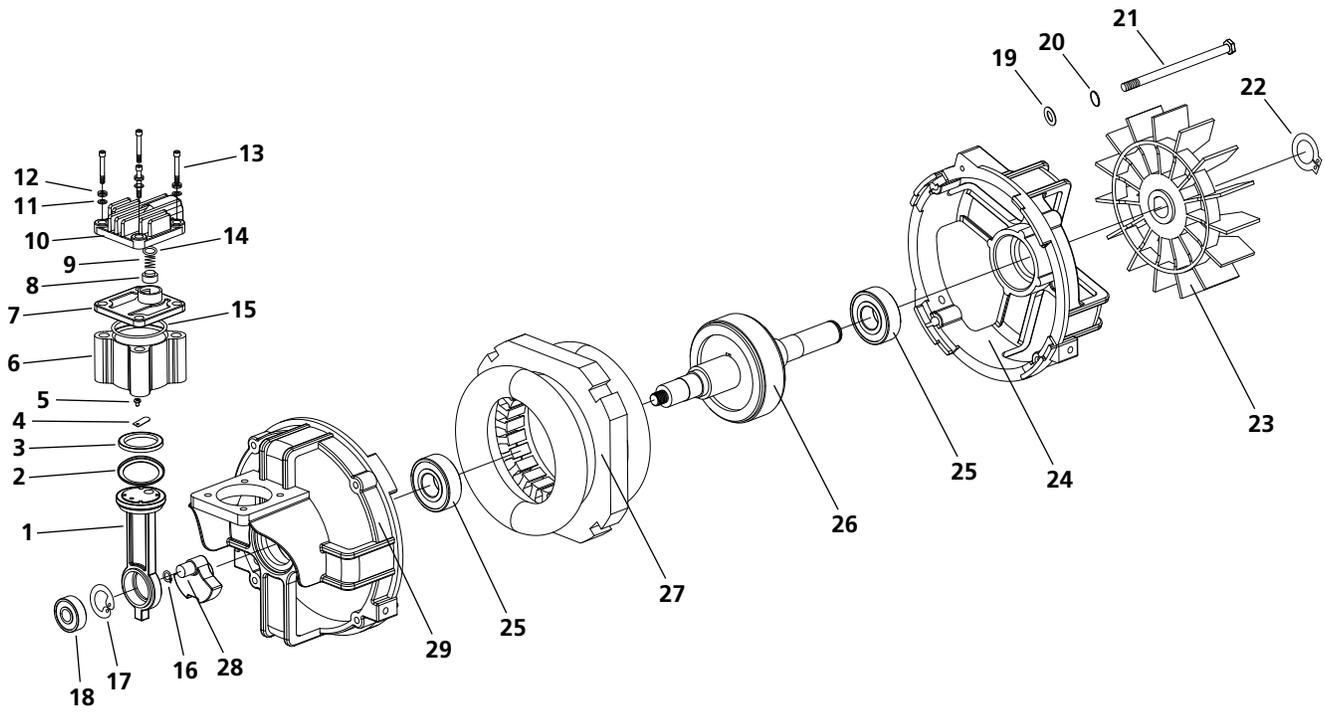
Por favor proporcione la siguiente información:

- Número de modelo
- Número de serie (si lo tiene)
- Descripción de la parte y número que le corresponde en la lista de partes

ILUSTRACIÓN DE LOS REPUESTOS PARA DC03009

KITS DISPONIBLES		
DC000030AV		
Bomba/Motor		
Descripción	Ubicación	Cantidad
Conjunto De Bomba/Motor	1	1
DC000040AV		
Colector De Control		
Descripción	Ubicación	Cantidad
Medidor Del Tanque	6	1
Tapón	7	1
Válvula De Seguridad	8	1
Colector	9	1
Conector Rápido De 1/4 PULG.	10	1
Medidor De Salida	25	1
DC000050AV		
Kit De Cubierta		
Descripción	Ubicación	Cantidad
Manija	2	1
Interruptor De Encendido/Apagado	3	1
Cubierta	4	1
Perno	5	4
DC000060AV		
Kit De Soporte		
Descripción	Ubicación	Cantidad
Tuerca	21	4
Soporte Acojinado	22	4
Arandela	23	4
Perno	24	4
Arandela	32	4
DC000070AV		
Válvula De Drenado		
Descripción	Ubicación	Cantidad
Válvula De Drenado	28	1
Solo Referencia - No Disponible		
Descripción	Ubicación	
Interruptor De Presión	11	
Tubo	12	
Válvula De Retención	13	
Conector De Seguridad	14	
Condensador	15	
Cubierta De Condensador	16	
Perno	17, 19	
Cable De Alimentación	18	
Tanque	20	
Placa Deflectora	26	
Codo De Escape	27	
Tornillo	29	
Arandela Dentada	30	
Arandela De Presión	31	

ILUSTRACIÓN DE LAS REFACCIONES PARA EL CONJUNTO DE BOMBA/MOTOR DC00030



**Para Repuestos, visite www.campbellhausfeld.com
24 horas al día, 365 días al año**

Por favor proporcione la siguiente información:

- Número de modelo
- Número de serie (si lo tiene)
- Descripción de la parte y número que le corresponde en la lista de partes

LISTA DE REFACCIONES PARA EL CONJUNTO DE BOMBA/MOTOR DC000030

KITS DISPONIBLES		
DC000010AV		
Kit de Servicio Para Pistón de Bomba		
Descripción	Ubicación	Cantidad
Varilla Conectora	1	1
Tapa del Pistón	2	1
Placa de Unión	3	1
Válvula	4	1
Perno	5	1
DC000020AV		
Kit de Servicio Para Válvula de Bomba		
Descripción	Ubicación	Cantidad
Cilindro	6	1
Placa de Válvula	7	1
Válvula	8	1
Resorte	9, 12	2
Cabezal de Cilindro	10	1
Arandela	11	1
Perno	13	1
Junta Tórica	14	1
Empaque	15	1
Solo Referencia - No Disponible		
Descripción	Ubicación	
Anillo Externo de Retención	16, 22	
Anillo Interno de Retención	17	
Rodamiento	18, 25	
Arandela	19	
Arandela de Presión	20	
Perno	21	
Ventilador	23	
Tapa Trasera	24	
Rotador	26	
Estator	27	
Excéntrica	28	
Cárter	29	



Recordatorio: ¡Guarde su comprobante de compra con fecha para fines de la garantía! Adjúntela a este manual o archívela en lugar seguro.

GARANTÍA LIMITADA

1. DURACIÓN: A partir de la fecha de compra del comprador original es como sigue: Un año.
2. QUIÉN DA ESTA GARANTÍA (GARANTE): Campbell Hausfeld una Compañía de Marmon/Berkshire Hathaway, 225 Pictoria Drive, Suite 210, Cincinnati, Ohio, 45246, Visit www.campbellhausfeld.com
3. QUIÉN RECIBE ESTA GARANTÍA (COMPRADOR): El comprador original (excepto con la intención de revender) del compresor Campbell Hausfeld.
4. QUÉ PRODUCTOS ESTÁN CUBIERTOS POR ESTA GARANTÍA: Este compresor de aire DC03009 Campbell Hausfeld.
5. QUÉ ESTÁ CUBIERTO BAJO ESTA GARANTÍA: Repuestos y Trabajo para reparar defectos sustanciales debido al material y mano de obra durante el primer año de propiedad salvo las excepciones a continuación. Repuestos solo para reparar defectos sustanciales debido al material y mano de obra durante el tiempo restante de cobertura salvo las excepciones a continuación.
6. QUÉ NO ESTÁ CUBIERTO BAJO ESTA GARANTÍA:
 - A. CUALQUIER PÉRDIDA, DAÑO O GASTO, YA SEA INCIDENTAL, INDIRECTO O CONSECUCIONAL, QUE PUEDA RESULTAR DE CUALQUIER DEFECTO, FALLA O MAL FUNCIONAMIENTO DEL PRODUCTO CAMPBELL HAUSFELD. Algunos Estados no permiten la exclusión o limitación de los daños incidentales o consecuenciales, así que esta limitación o exclusión podría no ser aplicable a usted.
 - B. Cualquier falla producto de un accidente, abuso, negligencia del comprador o no operar los productos conforme a las instrucciones provistas en el manual(es) del propietario suministrado con el compresor.
 - C. Servicio previo al envío, por ejemplo, aceite o lubricantes y ajuste.
 - D. Artículos o servicio normalmente requerido para mantener el producto, por ejemplo lubricantes, filtros y juntas, etc.
 - E. Motores y componentes de gasolina quedan expresamente excluidos de la cobertura bajo esta garantía limitada. El comprador debe cumplir con la garantía otorgada por el fabricante del motor, la cual se suministra con el producto
 - F. Artículos adicionales no cubiertos por esta garantía:
 1. Artículos excluidos pertenecientes a Todos los Compresores
 - a. Cualquier componente dañado en el envío o cualquier falla causado por la instalación u operación de la unidad en condiciones no acordes con las instrucciones de instalación y operación, o dañado por el contacto con las herramientas o alrededores.
 - b. Falla de la bomba o válvula causada por la lluvia, exceso de humedad, ambientes corrosivos u otros contaminantes.
 - c. Defectos cosméticos que no interfieran con la funcionalidad del compresor.
 - d. Tanques oxidados, que incluyen, entre otros, al óxido debido al drenaje inadecuado o ambientes corrosivos.
 - e. Los componentes a continuación se consideran artículos de desgaste normal y no está cubiertos después del primer año de propiedad. Motor eléctrico, válvula de retención, interruptor de presión, regulador, medidores de presión, manguera, tubería, tubo, ajustes y acopladores, tornillos, tuercas, artículos de hardware, correas, poleas, volantes, carcasa y filtro de aire, juntas, sellos, fugas de aceite, fugas de aire, consumo o uso de aceite, anillos de pistón.
 - f. Válvulas de drenaje del tanque.
 - g. Daño causado por voltaje incorrecto o cableado inadecuado.
 - h. Otros artículos no enumerados pero que se consideran piezas de desgaste general.
 - i. Interruptores de presión, controladores de aire dispositivos de carga/descarga, dispositivos de control del obturador y válvulas de seguridad modificadas de las configuraciones de fábrica.
 - j. Daño por mantenimiento inadecuado del filtro.
 - k. Motores de inducción operados con electricidad producida por un generador.
 2. Artículos excluidos específicos para Compresores lubricados:
 - a. Desgaste de la bomba o daño de la válvula causado por uso de un aceite no especificado.
 - b. Desgaste o daño de la bomba causado por alguna contaminación del aceite.
 - c. Desgaste o daño de la bomba causado por no seguir las instrucciones de mantenimiento adecuado, operación con bajo nivel de aceite o sin aceite.
 - H. Reparación, llamadas de servicio, o transporte son cobrados después del primer año de propiedad.
7. RESPONSABILIDADES DEL GARANTE SEGÚN ESTA GARANTÍA: Reparar o reemplazar, a elección del Garante, el compresor o componente defectuoso, con mal funcionamiento y/o falta de correspondencia durante la duración del período específico de la garantía.
8. RESPONSABILIDADES DEL COMPRADOR SEGÚN ESTA GARANTÍA:
 - A. Suministrar la prueba de fecha de compra y registros de mantenimiento.
 - B. Visite www.campbellhausfeld.com para ver sus opciones de servicio de garantía. Los costos de envío deben ser cubiertos por el comprador.
 - C. Tener el cuidado razonable en la operación y mantenimiento de los productos según lo descrito en el manual(es) del propietario.
 - D. Reparaciones que requieran horas extra, tarifas de fin de semana o cualquier cosa adicional a la tarifa estándar de reembolso por labores de reparación de la garantía del fabricante.
 - E. Tiempo requerido para alguna revisión de seguridad, entrenamiento de seguridad o similar por parte del personal de servicio para acceder a la instalación.
 - F. La ubicación de la unidad debe tener la claridad adecuada para que el personal de servicio pueda realizar las reparaciones y acceder con facilidad.
9. CUÁNDO EL GARANTE REALIZARÁ REPARACIONES O REEMPLAZOS SEGÚN ESTA GARANTÍA: La reparación o reemplazo se programará y realizará de acuerdo al flujo normal de trabajo en la ubicación donde se presta servicio, y según la disponibilidad de las piezas de reemplazo.

Esta Garantía Limitada solo es aplicable a EE.UU., Canadá y México y le otorga derechos legales específicos. Usted también puede tener otros derechos que varían de un estado a otro, o de un país a otro.