

Antero

Manual del propietario y Manual de instalación



SINCE 1886
Hunter

Modelos
59183
59184
59585

©2018 Hunter Fan Co.

SINCE 1886
Hunter

Modelos
59183
59184
59585

©2018 Hunter Fan Co.

Manual Installation and Owner's Guide

Antero

If parts are missing,
DO NOT RETURN THIS ITEM TO THE STORE!
 For assistance call 1-888-830-1326.

www.HunterFan.com

Where Purchased

Date Purchased

Model Number

Read and Save These Instructions

The information below will make communication MUCH easier should you ever need to contact customer service.

IMPORTANT!

1-888-830-1326

¡IMPORTANTE!

Lea y guarde estas instrucciones

La información que se entrega a continuación facilitará en gran medida la comunicación en caso de que necesite contactar con el servicio al cliente.

Número de modelo

Fecha de compra

Lugar de compra

Si faltan partes,
NO REGRESE ESTE PRODUCTO A LA DISTRIBUIDORA.
 Para asistencia, llame al 1-888-830-1326.

www.HunterFan.com

1-888-830-1326

Limited Lifetime Warranty

Hunter Fan Company grants this limited warranty to the original purchaser of this Hunter ceiling fan. This document can be found at www.HunterFan.com. Thank you for choosing Hunter!

How Can Warranty Service Be Obtained?

Proof of purchase is required when requesting warranty service. The original purchaser must present a sales receipt or other document that establishes proof of purchase. Hunter, at its sole discretion, may accept a gift receipt. To obtain service, contact Hunter Fan Company online or by phone.

www.HunterFan.com/Support/Contact-Us/

1-888-830-1326

Please do not ship your fan or any fan parts to Hunter. Delivery will be refused.

What Does This Warranty Cover?

Motor — Limited Lifetime Warranty

If any part of your ceiling fan motor fails during your ownership of the fan due to a defect in material or workmanship, as determined solely by Hunter, Hunter will provide you with a replacement fan free of charge.* The foregoing limited warranty applies only to the motor itself and does not apply to electronic controls – such as remote control transmitters, remote control receivers, or capacitors – used in conjunction with the motor. Such electronic control items are included in the one-year limited warranty below.

Other — One-Year Limited Warranty

Except as otherwise indicated throughout this warranty, if any part of your Hunter ceiling fan fails at any time within one year of the date of purchase due to a defect in material or workmanship, as determined solely by Hunter, Hunter will provide a replacement part free of charge.*

Light Kits — Warranty May Vary

Light kits are included in the one-year limited warranty. However, you may qualify for additional warranty coverage if your fan includes one of the following:

- **LED Light Kits — Three-Year Limited Warranty**
If your LED light kit module (not including glass components) or LED bulb fails at any time within three years of the date of purchase due to a defect in material or workmanship, as determined solely by Hunter, Hunter will provide a replacement part free of charge.*

• ENERGY STAR® Rated Light Kits — Three-Year Limited Warranty

If your ENERGY STAR rated light kit (not including glass components) fails at any time within three years of the date of purchase due to a defect in material or workmanship, as determined solely by Hunter, Hunter will provide a replacement light kit free of charge.*

** If no replacement product/part can be provided for your fan, we will provide a comparable or superior replacement product/part at the sole discretion of Hunter.*

What Does This Warranty NOT Cover?

Labor Excluded. This warranty does not cover any costs or fees associated with the labor (including electrician's fees) required to install, remove, or replace a fan or any fan parts. There is no warranty for light bulbs (except where otherwise noted), remote control batteries, fans purchased or installed outside the United States; fans owned by someone other than the original purchaser; fans for which proof of purchase has not been established; fans purchased from an unauthorized dealer; ordinary wear and tear; minor cosmetic blemishes; refurbished fans; and fans that are damaged due to any of the following: improper installation, misuse, abuse, improper care, failure to follow Hunter instructions, accidental damage caused by the fan owner or related parties; modifications to the fan, improper or incorrectly performed maintenance or repair; improper voltage supply or power surge; use of improper parts or accessories; failure to provide maintenance to the fan, or acts of God (e.g. flood).

ORIGINAL PURCHASER'S SOLE AND EXCLUSIVE REMEDY FOR A CLAIM OF ANY KIND WITH RESPECT TO THIS PRODUCT SHALL BE THE REMEDIES SET FORTH HEREIN. HUNTER FAN COMPANY IS NOT RESPONSIBLE FOR CONSEQUENTIAL OR INCIDENTAL DAMAGES, DUE TO PRODUCT FAILURE, WHETHER ARISING OUT OF BREACH OF WARRANTY, BREACH OF CONTRACT, OR OTHERWISE. Some States do not allow the exclusion or limitation of incidental or consequential damages, so the above limitation or exclusion may not apply to you.

ANY IMPLIED WARRANTIES OF MERCHANTABILITY OR FITNESS FOR A PARTICULAR PURPOSE APPLICABLE TO THIS PRODUCT ARE LIMITED IN DURATION TO THE PERIOD OF COVERAGE OF THE APPLICABLE LIMITED WARRANTIES SET FORTH ABOVE. Some States do not allow limitations on how long an implied warranty lasts, so the above limitation may not apply to you.

How Does State Law Affect Warranty Coverage?

This warranty gives you specific legal rights. You may also have other rights which vary from state to state.

¿Cómo afecta la ley estatal a la cobertura de la garantía?

Esta garantía le da dos derechos legales específicos que varían de un estado a otro. Si faltan partes, **NO REGRESE ESTE PRODUCTO A LA DISTRIBUIDORA.** Para asistencia, llame al 1-888-830-1326.

Original Purchaser's Sole and Exclusive Remedy for a Claim of Any Kind with Respect to This Product shall be the Remedies set forth herein. Hunter Fan Company is not responsible for consequential or incidental damages, due to product failure, whether arising out of breach of warranty, breach of contract, or otherwise. Some states do not allow the exclusion or limitation of incidental or consequential damages, so the above limitation or exclusion may not apply to you.

¿Cómo cubre esta garantía?

Except as otherwise indicated throughout this warranty, if any part of your Hunter ceiling fan fails at any time within one year of the date of purchase due to a defect in material or workmanship, as determined solely by Hunter, Hunter will provide a replacement part free of charge.*

Other — One-Year Limited Warranty
 Except as otherwise indicated throughout this warranty, if any part of your Hunter ceiling fan fails at any time within one year of the date of purchase due to a defect in material or workmanship, as determined solely by Hunter, Hunter will provide a replacement part free of charge.*

Garantía limitada de por vida

Esta garantía le da dos derechos legales específicos que varían de un estado a otro. Si faltan partes, **NO REGRESE ESTE PRODUCTO A LA DISTRIBUIDORA.** Para asistencia, llame al 1-888-830-1326.

Original Purchaser's Sole and Exclusive Remedy for a Claim of Any Kind with Respect to This Product shall be the Remedies set forth herein. Hunter Fan Company is not responsible for consequential or incidental damages, due to product failure, whether arising out of breach of warranty, breach of contract, or otherwise. Some states do not allow the exclusion or limitation of incidental or consequential damages, so the above limitation or exclusion may not apply to you.

¿Cómo cubre esta garantía?

Except as otherwise indicated throughout this warranty, if any part of your Hunter ceiling fan fails at any time within one year of the date of purchase due to a defect in material or workmanship, as determined solely by Hunter, Hunter will provide a replacement part free of charge.*

Motor — Garantía limitada de por vida

If any part of your ceiling fan motor fails during your ownership of the fan due to a defect in material or workmanship, as determined solely by Hunter, Hunter will provide you with a replacement fan free of charge.* The foregoing limited warranty applies only to the motor itself and does not apply to electronic controls – such as remote control transmitters, remote control receivers, or capacitors – used in conjunction with the motor. Such electronic control items are included in the one-year limited warranty below.

Other — One-Year Limited Warranty

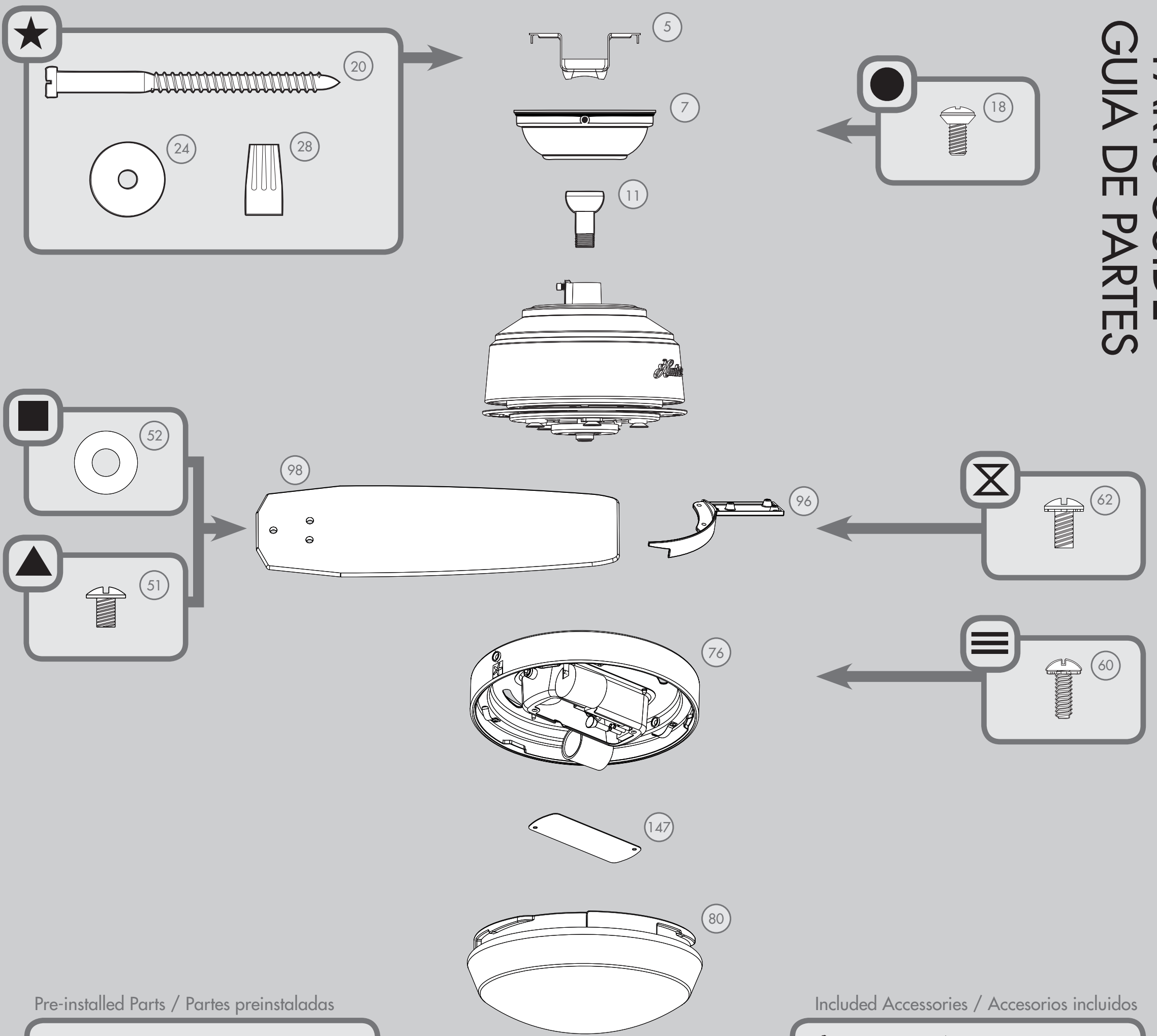
Except as otherwise indicated throughout this warranty, if any part of your Hunter ceiling fan fails at any time within one year of the date of purchase due to a defect in material or workmanship, as determined solely by Hunter, Hunter will provide a replacement part free of charge.*

¿Cómo cubre esta garantía?

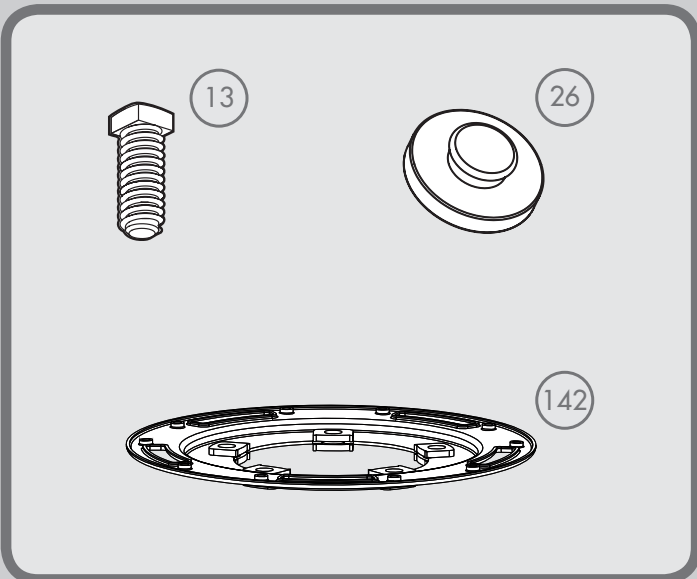
Except as otherwise indicated throughout this warranty, if any part of your Hunter ceiling fan fails at any time within one year of the date of purchase due to a defect in material or workmanship, as determined solely by Hunter, Hunter will provide a replacement part free of charge.*

Other — One-Year Limited Warranty
 Except as otherwise indicated throughout this warranty, if any part of your Hunter ceiling fan fails at any time within one year of the date of purchase due to a defect in material or workmanship, as determined solely by Hunter, Hunter will provide a replacement part free of charge.*

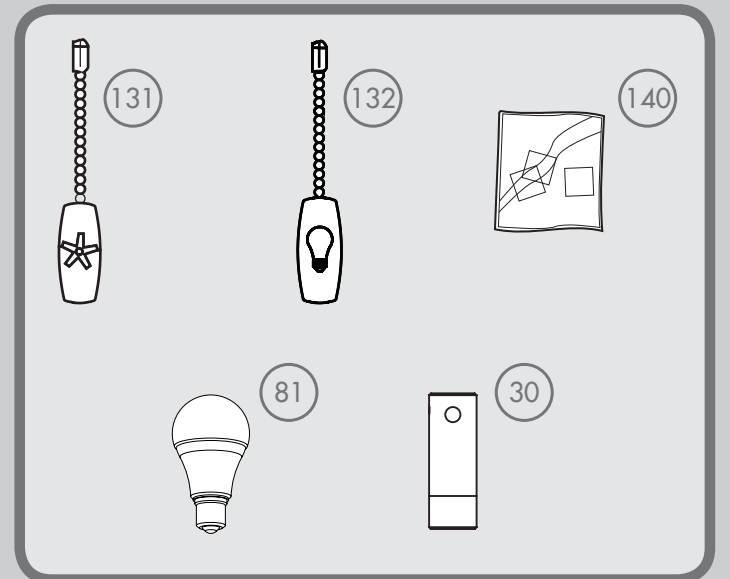
PARTS GUIDE GUIA DE PARTES



Pre-installed Parts / Partes preinstaladas



Included Accessories / Accesorios incluidos



in Parts List
en Lista de partes

Spare Parts Bag
Bolsa de partes de repuesto

Hardware drawn to scale
For your convenience, you may receive extra fasteners.

Materiales dibujado a escala
Para su comodidad, es posible que reciba sujetadores extra.

Parts List		MODEL #	59183	59184	59585	Lista de piezas
		MODELO #				
		DRAWING #	K6219-01	K6219-02	K6219-03	
		ESQUEMA #				
		Weight ±2 lbs	21.6 lbs (9.8 kg)	21.6 lbs (9.8 kg)	21.6 lbs (9.8 kg)	
		Peso ±2 lb				
		FINISH	Brushed Nickel	Fresh White	Matte Black	
		FINISH	Níquel pulido	Blanco fresco	Negro mate	
#	Item Name	Qty. / Cant.	Part# / No. de la pieza	Part# / No. de la pieza	Part# / No. de la pieza	Nombre del Item
1	Hanging System Kit	1	K0065-01	K0065-01	K0065-01	Kit del sistema de suspensión
5	Ceiling Bracket	1				Soporte de techo
7	Canopy	1				Campana
11	Downrod Assembly	1				Conjunto de varilla
13	Setscrew	1				Tornillo de fijación
18	Canopy Screw	3				Tornillo de la campana
20	Wood Screw 3"	2				Tornillo para madera de 3"
24	Flat Washer	2				Arandela plana
26	Mounting Isolator	4				Aislador de montaje
28	Wire Connector	4				Conector de cable
30	Hanger Pipe	1				Tubo de suspensión
50	Hardware Kit	1	K6219-00-860	K6219-00-861	K6219-00-862	Kit de materiales
51	Blade Assembly Screw	16				Tornillo de montaje de paleta
52	Blade Washer	16				Arandela de montaje de paleta
60	Light Kit Assembly Screw	5				Tornillo del conjunto del kit de luz
62	Blade Iron Assembly Screw	11				Tornillo de montaje de soporte de paleta
76	Light Kit Assembly	1	K4429-04	K4429-04	K4429-04	Conjunto del kit de luz
80	Globe/Shade	1	K2601-01-045	K2601-01-045	K2601-01-045	Pantalla
81	LED Bulb	2	K4870-03	K4870-03	K4870-03	Bombilla LED
96	Blade Iron Set	1	K3445-05	K3445-05	K3445-05	Juego de soporte de paletas
98	Blade Set	1	K6218-15-427	K6218-15-352	K6218-15-534	Juego de paletas
131	Fan Pull Chain Pendant	1	K0143-03	K0143-03	K0143-03	Pendiente del tirador de cadena del ventilador
132	Light Pull Chain Pendant	1	K0144-03	K0144-03	K0144-03	Pendiente del tirador de cadena de luz
140	Balancing Kit	1	K0118-01	K0118-01	K0118-01	Kit de equilibrado
142	Blade Iron Mounting Plate	1	G2489-01	G2489-01	G2489-01	Placa de montaje del soporte de la paleta
147	Switch Housing Plate	1	K4380-01	K4380-01	K4380-01	Placa de la caja del interruptor