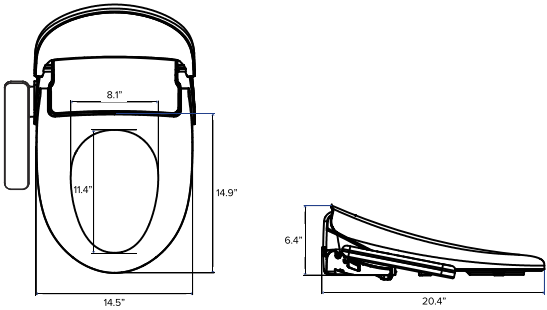


11. Specifications

Model		HLB-3000EC / HLB-2000EC	HLB-1000EC
Rated Voltage		120Vac, 60Hz	
Max Consumption Power		1,260W	
Water supply type	Type	Direct-coupled water supply system	
	Water Inlet Pressure	0.07~0.74 MPa	
Water Temperature Wash	Posterior (ℓ /min)	0.6 ℓ /min	
	Feminine (ℓ /min)	0.55 ℓ /min	
	Water & dryer pressure adjustments	5 Levels	
	Water temperature adjustments	4 Levels (Off, Low, Medium, High)	
	Water temperature heating	1,200W	
	Backflow protection devices	For vacuum to prevent, Check valve	
	Safety devices	Manually place two metal strips	
Constant Temperature Toilet seat	Seat Temperature Control	4 Levels (Off, Low, Medium, High)	
	Seat Heating	55W	
	Safety devices	Overheating prevention temperature fuse	
Dryer	Dryer Temperature	Room temperature - 131°F, 5 Levels	N/A
	Dryer Heat	250W Actual heating power CA(168W)	N/A
	Safety Devices	Thermal fuse	N/A
Power cord length		3'10"	
Energy Saving Mode		Yes	
User water temperature		53.6°F - 93.2°F (12°C ~34°C)	
Environment temperature		37.4°F - 104°F (3°C ~40°C)	

Product weight	About 8.2 lbs
Product Dimensions	 <p>Appearance size : 19.1" W x 20.9" D x 8.1" H</p>

- ※ Recommended water supply pressure are 0.1~0.69MPa
- ※ The minimum available water supply pressure is 0.07MPa, however under 0.1MPa pressure, water spray pressure might not be adequate.