

MAXIMUM PRECISION CUT AFTER CUT

GET THE BEST RESULTS WITH THE HIGHEST QUALITY TOOLS.



MANUAL TILE CUTTERS

 **BELLOTA**
your best help.



PATRICIO ECHEVERRÍA. FORGING AN IDEA.

The spirit of constant evolution and passion for quality has guided us since 1908, when Patricio Echeverría Elorza founded our company in Legazpi, Spain.

From our origins to the present day, we have combined the know-how of tradition with the advantages of the most advanced technology.

Today, high-quality BELLOTA® tools are present in more than 120 countries, inspiring countless thousands of knowledgeable, passionate professionals around the world who know and love what BELLOTA stands for:

More than just tools, a promise.

RELIABLE

Heavy-duty, well-designed tools that never let you down. Exceptional performance even in the most difficult conditions.

INSPIRATIONAL

BELLOTA tools are a sign of professionalism, of a job well done. Intuitive yet technically sophisticated products.

AUTHENTIC

Honest, without unnecessary components.

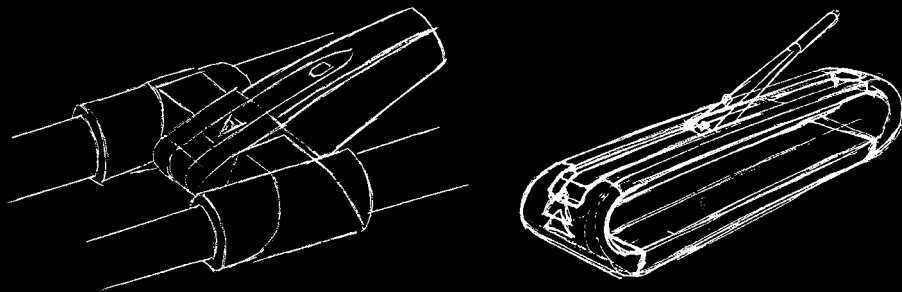
BELLOTA: A REPUTATION BUILT ON THE TRUST OF BUILDERS.

Builders worldwide recognize BELLOTA as the leader in quality tools. As their trusted partner for more than 100 years, we have continued to innovate and create new tools specific to specialized jobs within the ever-changing construction industry.

Today, we take another step forward by introducing our new line of manual ceramic tile cutters developed in tight collaboration with contractors.

NEW BELLOTA Manual Tile Cutters

- Durable
- Sturdy
- Easy-to-use
- Attractive





A NEW GENERATION OF TILE CUTTING TOOLS THAT WILL REVOLUTIONIZE THE MARKET

ADVANTAGES WITH BELLOTA

DURABILITY

- Designed for maximum strength:
 - Reinforced bases and rail supports
 - Large bearing surfaces
 - Extra-wide rail bars
 - Greater breaking power
 - 1,100 pound maximum weight capacity
- Long-lasting, wear-resistant materials for up to 150,000 scores and 25,000 cuts

PRECISION

- Consistently clean, reliable cuts from precision-made compact designs
- Unique slide assembly design eliminates parts that can mar guide bars and interfere with cuts
- Improved cutting visibility with dual rail bars and multiple cutting wheel sizes

EASE OF USE

- Complete integrated ceramic tile-cutting solutions in convenient carrying cases
- Perfectly smooth operation: just 11 pounds of force is needed for scoring
- Intuitive, compact and very easy to use

BELLOTA DESIGN AND MANUFACTURING

- Made in Spain with 100% European materials
- Four advanced, patented designs

POP TILE CUTTERS



PRO TILE CUTTERS



TECH LARGE FORMAT TILE CUTTERS

COMING SOON

POP TILE CUTTERS

FOR GENERAL USE

- Cut common ceramic of moderate hardness
- Maximum tile length: 25 inches (POP60)
- Maximum tile thickness: 1/2 inch

POP

Designed with fiberglass-reinforced polyamide rail bar supports

Equipped with replaceable 15/64" tungsten carbide cutting wheel

ITEM #	Box or Case	Cutting Length	Diagonal Cut	Max. Thickness
POP50B	Box	21 inches / 530 mm	15 inches / 380 mm	0.5 inch / 12 mm

POP-R

Designed with aluminum-cast rail bar supports

Includes adjustable U.S. standard and metric measuring guide for accurate repeat cuts

Equipped with replaceable 15/64" tungsten carbide cutting wheel

ITEM #	Box or Case	Cutting Length	Diagonal Cut	Max. Thickness
POP50RB	Box	21 inches / 530 mm	15 inches / 380 mm	0.5 inch / 12 mm
POP50RC	Hard Case	21 inches / 530 mm	15 inches / 380 mm	0.5 inch / 12 mm
POP60RB	Box	25 inches / 630 mm	18 inches / 450 mm	0.5 inch / 12 mm
POP60RC	Hard Case	25 inches / 630 mm	18 inches / 450 mm	0.5 inch / 12 mm



LIGHT



VERSATILE



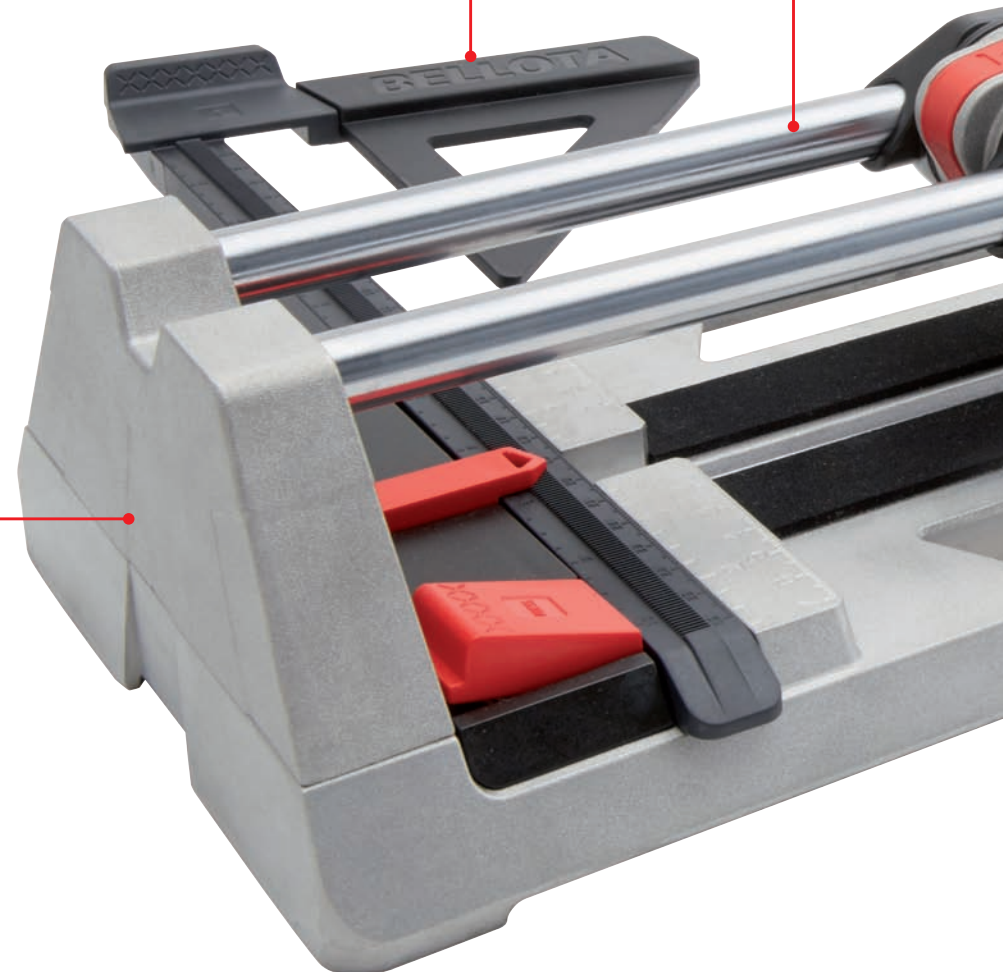
EASY TO USE

Extra-wide, trapezoidal slider assembly made of POM (polyoxymethylene) giving it great rigidity, exceptional toughness and wear resistance.

Measuring guide makes repetitive and 45° cuts easier (included in POP-R).

Round rail bars made of chrome-plated, solid steel for wear resistance, smooth gliding and scoring precision.

Reinforced rail bar supports with extra-wide, double-anchored bases and closed surface. Made of fiberglass-reinforced polyamide in POP, and aluminum in POP-R.



REGISTERED
DESIGN ®

*Reinforced scoring
tool holder with
inner steel shaft for
maximum strength.*

*Extra-wide, reinforced cast aluminum
base ensures rigidity, stability, and
precision when cutting.*

*Rubber pads secure tiles to base
when scoring and absorb shock
when breaking tile.*

*Side arm extensions built into base:
support large tiles and make positioning easy.*

*Heavy-duty separator for
optimal distribution of force
when scoring and cutting.*



PRO TILE CUTTERS

FOR HEAVY-DUTY USE

- Cut all ceramic
- Maximum tile length: 28 inches (PRO65)
- Maximum tile thickness: 0.6 inch
- Reinforced aluminum rail bar supports
- Built-in cutting guide
- Equipped with replaceable 15/64" and 25/64" tungsten carbide cutting wheels

ITEM #	Box or Case	Cutting Length	Diagonal Cut	Max. Thickness
PRO55	Hard Case	22 inches / 580 mm	16 inches / 400 mm	0.6 inch / 15 mm
PRO65	Hard Case	28 inches / 720 mm	20 inches / 500 mm	0.6 inch / 15 mm



POWERFUL



RELIABLE



EASY TO USE



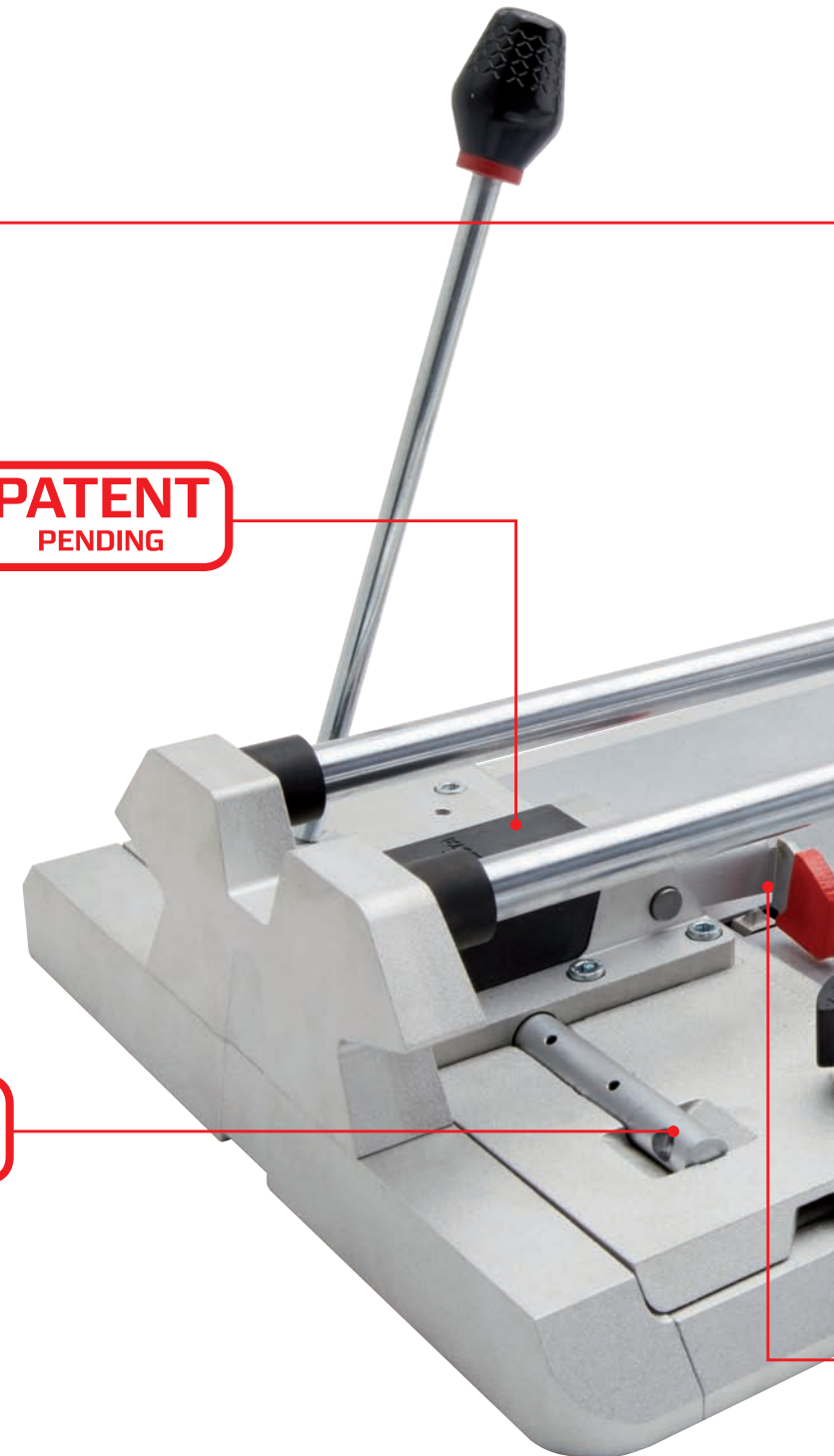
Maximum scoring smoothness, precision and durability with advanced metal alloy slide assembly and extra-wide, self-lubricating bushings.

Powerful breaking mechanism lets you progressively apply force with your right or left hand.

Independent separator lever conveniently located outside the guide bars lets you finish cuts without retracting scoring assembly.

**PATENT
PENDING**

**PATENT
PENDING**



REGISTERED
DESIGN ®

Built-in stops secure scoring wheel assembly to tool holder, prevent it from falling.

Reinforced tool holder with inner steel shaft for maximum strength.

Reinforced aluminum supports with extra-wide, double-anchored bases for maximum strength.

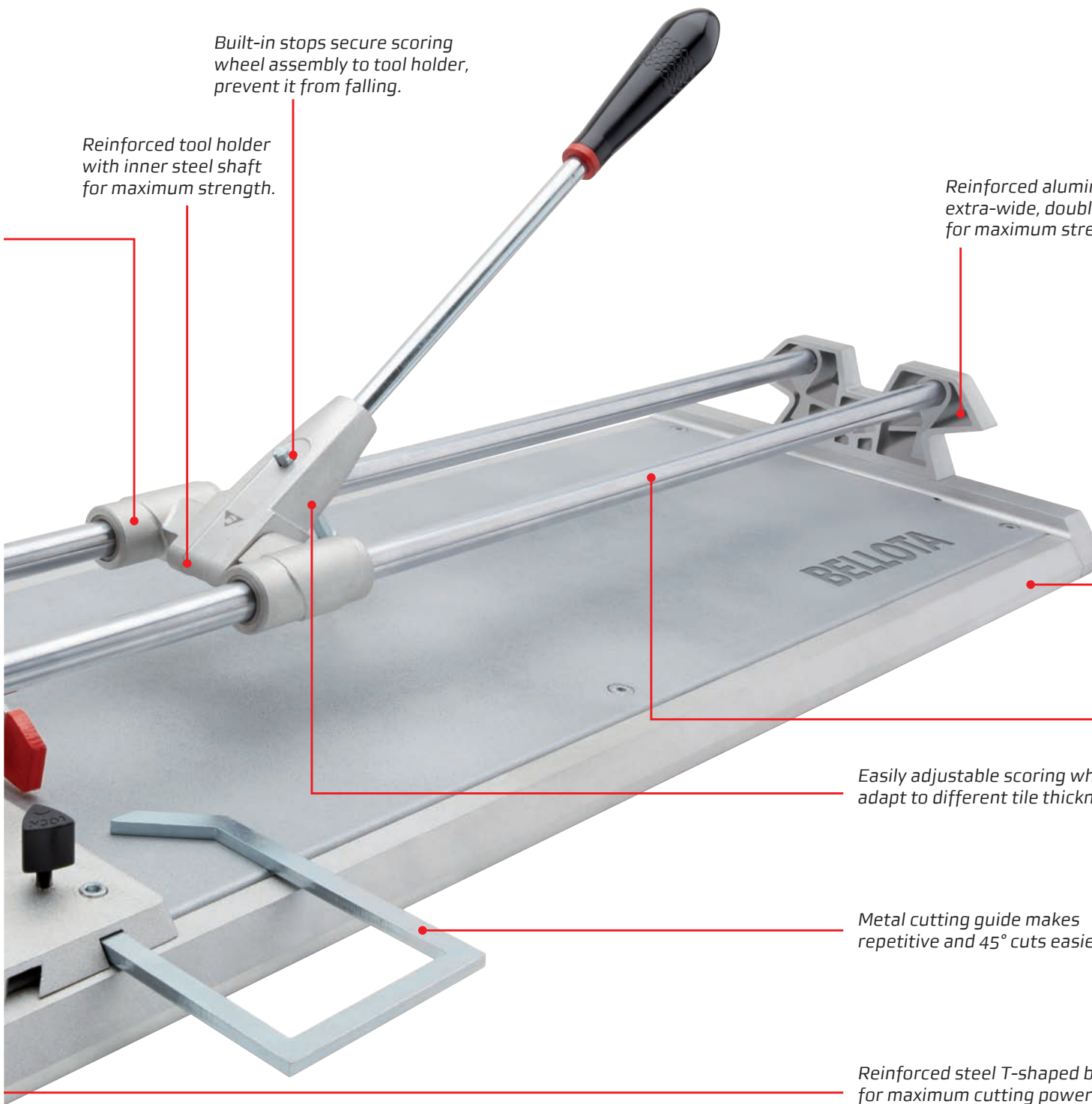
Unique base with aluminum frame and steel surface for easy tile positioning and cleaning.

Round rail bars made of chrome-plated solid steel for maximum wear resistance, smooth gliding and scoring precision.

Easily adjustable scoring wheels quickly adapt to different tile thicknesses.

Metal cutting guide makes repetitive and 45° cuts easier.

Reinforced steel T-shaped breaker for maximum cutting power.





BELLOTA® UNIVERSAL SCORING WHEELS NOW EVERYONE CAN ENJOY A BETTER CUT

Building on our extensive experience in cutting tools, BELLOTA has developed a range of scoring wheels that can cut all kinds of materials, shapes, and thicknesses.

MAXIMUM STRENGTH AND DURABILITY

- **FORGED STEEL** arms with octagonal cross-sections based on proven chisel and pointer designs
- High-quality tungsten carbide cutting wheels, up to **25% LONGER LASTING** than the competition
- **TITANIUM** nitride coatings prolong cutting wheel life even further by up to 25%



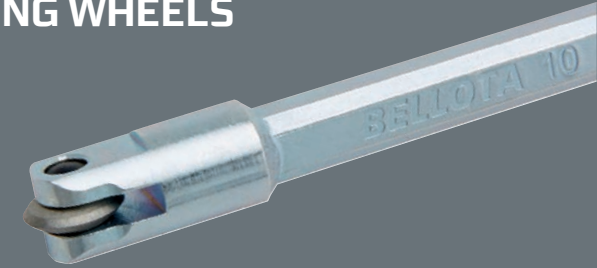
YOUR CHOICE OF SIZES

Scoring wheels are available in 15/64", 5/16", 25/64" and 45/64" inch diameters.

OVERSIZE DESIGN – 45/64" scoring wheel assembly features proportions that lower cutting effort, improve stability, and prolong the wheel's life.



UNIVERSAL SCORING WHEELS



TITANIUM UNIVERSAL SCORING WHEELS



XL UNIVERSAL SCORING WHEELS

FOR LARGE FORMAT TILE
COMING SOON

XL TITANIUM UNIVERSAL SCORING WHEELS

FOR LARGE FORMAT TILE
COMING SOON

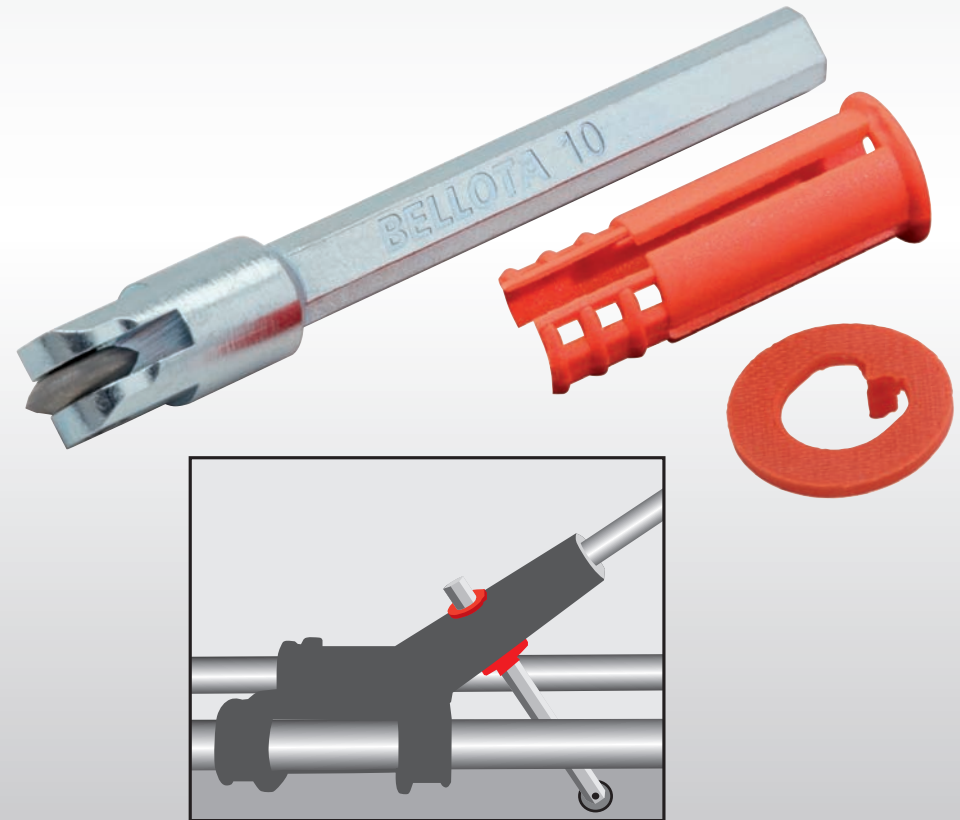
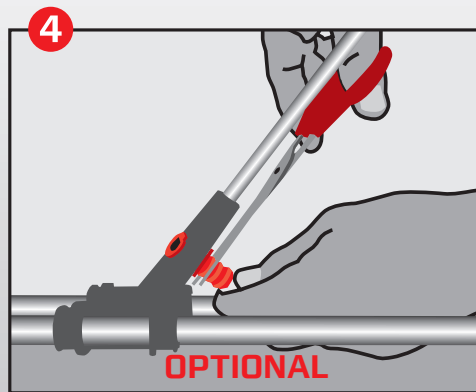
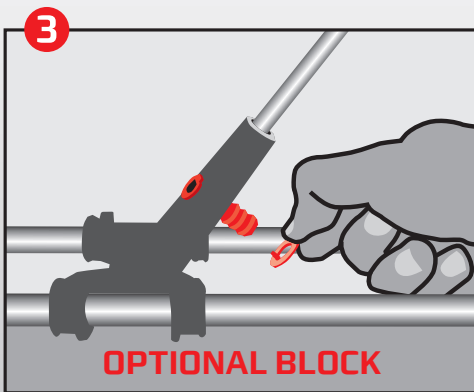
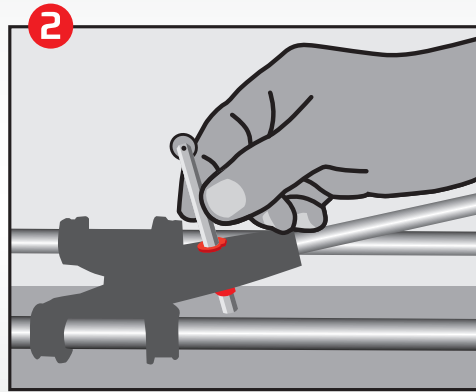
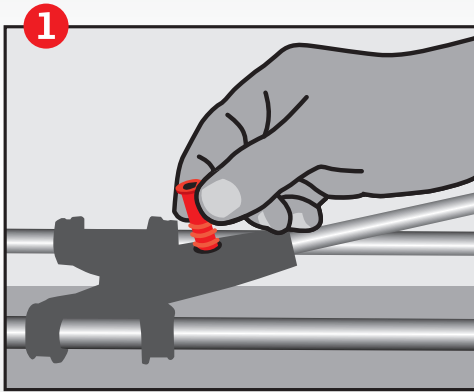
UNIVERSAL SCORING WHEELS

Now, any manual tile cutter can benefit from BELLOTA'S exceptional cutting performance. That's because we include a handy adaptor with every BELLOTA scoring wheel, making it compatible with nearly every other brand.



**PATENT
PENDING**

How to Install BELLOTA scoring wheels in other manual tile cutter brands



UNIVERSAL AND TITANIUM SCORING WHEELS.



Fit BELLOTA POP and PRO manual tile cutters

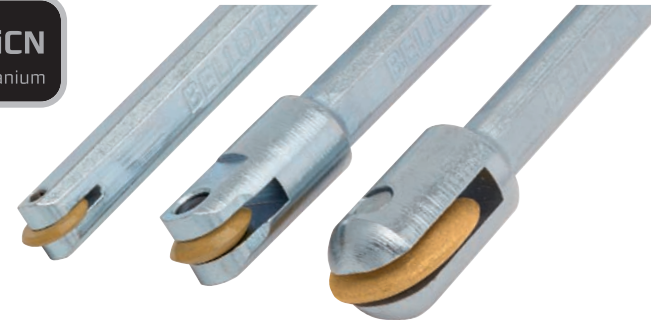
Adaptor suitable for Cortag, Irwin, Toolkraft and Rubi (Pocket, Star, Speed, TS and TR) manual tile cutters.*

UNIVERSAL SCORING WHEELS



ITEM #	Item description	Recommended Use	
RODEL6U	15/64" Universal Scoring Wheel	Cutting wall tiles	 6 mm Ø 15/64 inch
RODEL8U	5/16" Universal Scoring Wheel	Cutting porcelain tiles, wall and floor tiles	 8 mm Ø 5/16 inch
RODEL10U	25/64" Universal Scoring Wheel	Cutting floor tiles	 10 mm Ø 25/64 inch
RODEL18U	45/64" Universal Scoring Wheel	Cutting rough or difficult to cut tiles	 18 mm Ø 45/64 inch

TITANIUM SCORING WHEELS



ITEM #	Item description	Recommended Use	
RODEL8UT	5/16" TITANIUM Universal Scoring Wheel	Cutting porcelain tiles, wall and floor tiles	 8 mm Ø 5/16 inch
RODEL10UT	25/64" TITANIUM Universal Scoring Wheel	Cutting floor tiles	 10 mm Ø 25/64 inch
RODEL18UT	45/64" TITANIUM Universal Scoring Wheel	Cutting rough or difficult to cut tiles	 18 mm Ø 45/64 inch

- * Cortag is a trademark of Cortag Indústria e Comércio Ltda., Brazil.
- * Irwin® is a registered trademark of Irwin Industrial Tool Company, USA.
- * Rubi® is a registered trademark of the Germans Boada Group S.A., Spain.
- These brands, nor the companies, are related to Corporación Patricio Echeverría.

BELLOTA AROUND THE WORLD



Illinois-USA



California-USA



MEXICO



COLOMBIA



BRAZIL



Legazpi-SPAIN



Olloki-SPAIN



Zumárraga -SPAIN



DENMARK



INDIA

The red flags are production plants.





www.bellota.com

Marketed by Corona Clipper, Inc. | 22440 Temescal Canyon Road, Corona, CA 92883 | Tel (951) 737-6515 | Toll Free (800) 234-2547 | Fax (951) 737-8657 | E-mail sales@corona.bellota.com

© Copyright 2014 Corona Clipper, Inc.