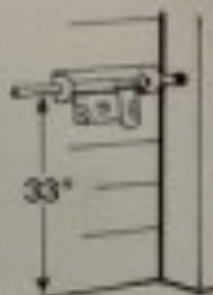
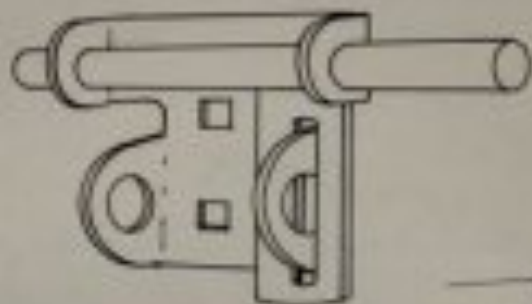


## INSTRUCTIONS

### HEAVY DUTY SLIDE BOLT LOCK



#### CONTENTS:

- 1 EA. SLIDE BOLT LOCK
- 2 EA. 1/4" x 3" CARRIAGE BOLTS  
WITH NUTS
- 1 EA. TUBULAR FERRULE

To install slide bolt, put edge of bolt in an open position even with the edge of door approx. 33" from the floor. Mark the center of the square holes and drill 1/4" holes through the door. Install slide bolt to front of door with 1/4" x 3" Carriage Bolts. Use 1/4" washer and nut on inside of door.

Drill 1/4" hole in jamb face where bolt contacts jamb. Press ferrule into hole.