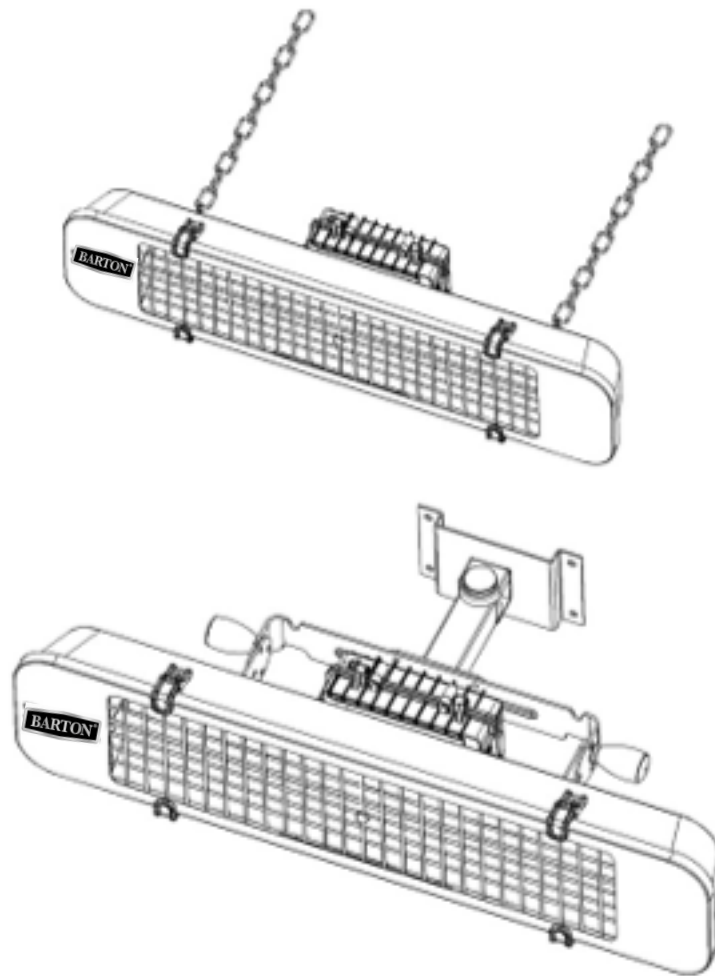




## 1500W LAMP HEATER

ITEM # 96968



## OWNER'S MANUAL AND SAFETY INSTRUCTIONS

SAVE THIS MANUAL. KEEP THIS MANUAL FOR SAFETY WARNINGS, PRECAUTIONS, ASSEMBLY, OPERATION, INSPECTION, MAINTENANCE AND CLEANING PROCEDURES. WRITE THE PRODUCT'S SERIAL NUMBER ON THE BACK OF THE MANUAL, OR THE MONTH AND YEAR OF PURCHASE IF PRODUCT HAS NO SERIAL NUMBER

FOR QUESTIONS, PLEASE CALL CUSTOMER SERVICE: 909.628.4900

# SAFETY INFORMATION

## WARNING

Read all safety warnings and instructions. Failure to follow the warnings and instructions may result in injury and/or property damage. Save all warnings and instructions for future reference.

The warning and safety instructions in this manual are not meant to cover all possible conditions and situations that may occur. Common sense, caution and care must be exercised when operating or cleaning tools and equipment. Always contact your dealer, distributor, service agent or manufacturer about problems or conditions you do not understand before operating the product.

- **WARNING:** This heater is not equipped with a device to control the room temperature. Do not use this heater in small rooms when they are occupied by persons not capable of leaving the room on their own, unless constant supervision is provided.
- Failure to comply with the precautions and the instructions provided with this heat lamp can result in death, serious injury and property damage or loss from hazards of fire, explosion and burns.
- To prevent and avoid the risk of burns, fire, electric shock, or Injury:
  - Use this device only for its intended purpose as described in this manual.
  - Do not leave unit on when unattended. Unplug from outlet when not in use.
  - Keep children away from and do not allow children to operate the lamp.
- To disconnect from the power outlet, turn all controls to the “off” position and then remove the power cord from the power source outlet.
- **NEVER** operate this device with the protected heating element opening blocked. Keep this opening free of lint, hair, etc. Never operate on or near a soft surface such as a pillow, blanket, or bed where this air opening may be blocked.
- **NEVER** drop or insert any object into the protected heating element opening. Do not touch the heating element with any object. Do not touch the internal workings of the lamp. Do not attempt to make any repairs yourself.
- **DO NOT** operate this device if the power cord or plug is damaged. If it is not working properly, or has been damaged, call your nearest authorized service center.
- **DO NOT** pull or carry this device by the power cord. Keep the power cord away from hot or wet
- Store lamp in dry environment- avoid excessive moisture.
- This heater is not intended for use in bathrooms, laundry areas and similar indoor locations. **NEVER** locate heater where it may fall into a bathtub or other water container. To protect against electrical hazards, **DO NOT** immerse in water or other liquids.

# SAFETY INFORMATION

- **DO NOT** touch the control panel or plug with a wet hand.
- **DO NOT** run cord under carpeting. **DO NOT** cover cord with throw rugs, runners or similar coverings. Arrange cord away from traffic area and where it will not be tripped over.
- **DO NOT** insert or allow foreign objects to enter any ventilation or exhaust opening as this may cause an electric shock or fire, or damage the heater.
- To prevent a possible fire, **DO NOT** block the air intakes or exhaust in any manner. **DO NOT** use on soft surfaces, like a bed, where openings may become blocked.
- A heater has hot and arcing or sparking parts inside. **DO NOT** use in areas where gasoline, paint, explosive and/or flammable liquids are used or stored. Keep unit away from heated surfaces and open flames.
- Avoid the use of an extension cord because the extension cord may overheat and cause a risk of fire.
- To avoid fire or shock hazard, plug the unit directly into a 110-120V electrical socket outlet.
- **ALWAYS** place the heater on a flat, level surface. This heater should only be hung from a ceiling.
- **WARNING:** To reduce the risk of fire or electric shock, **DO NOT** use this unit with any solid-state speed control device.
- **DO NOT** attempt to repair or adjust any electrical or mechanical functions on this unit. Doing so will void your warranty. The inside of the unit contains no user serviceable parts. Qualified personnel should perform all servicing only.
- Connect to properly grounded outlets only.
- **WARNING:** This heater is not equipped with a device to control the room temperature. Do not use this heater in small rooms when they are occupied by persons not capable of leaving the room on their own, unless constant supervision is provided.
- The heater must not be located in front of a socket outlet.
- These appliances must be earthed.
- Before installing or replacing the bulb, the appliance must be always being disconnected from the 110-120V supply.
- The appliance must be disconnected from the 110-120V supply before the lid is opened.
- The appliance must be installed exclusively in perfect horizontal position

**SAVE THESE WARNINGS**

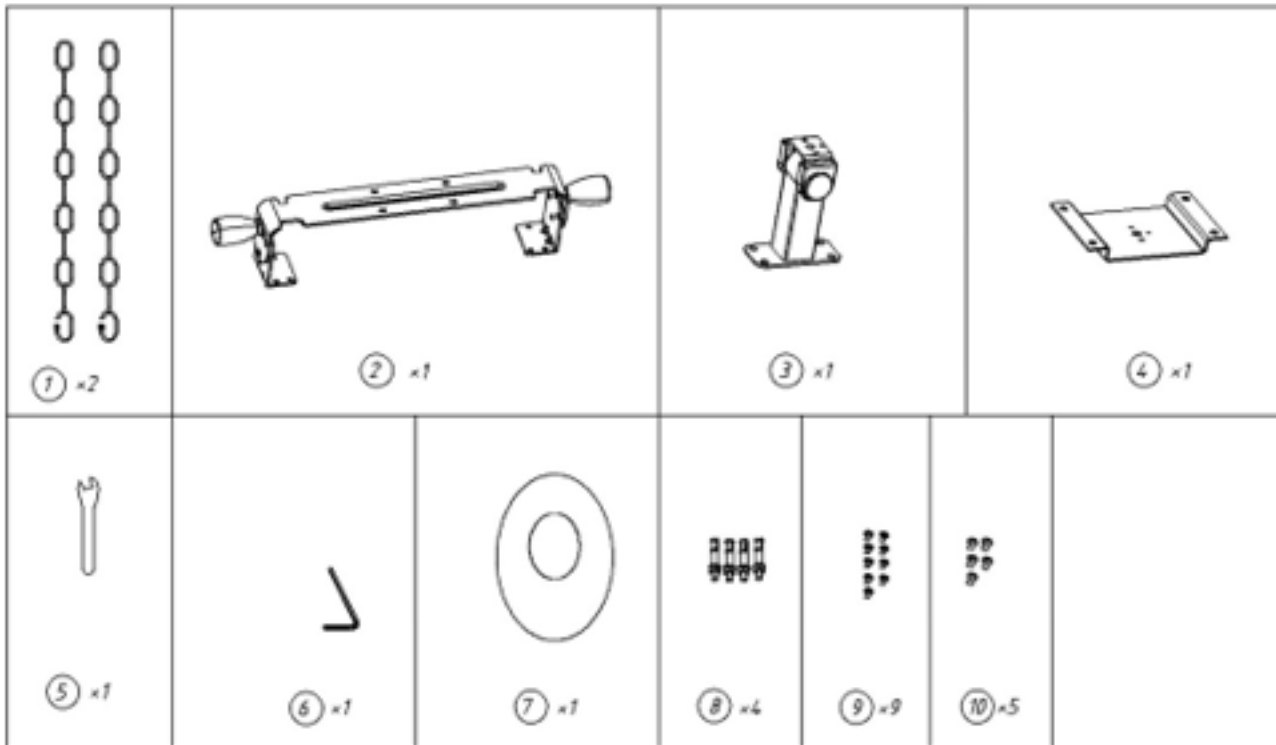
# INSTALLATION INFORMATION

When fixing the heater to a wall, ensure hinges are in the underside so that the lid hands down in the open position.

## Minimum required distances:

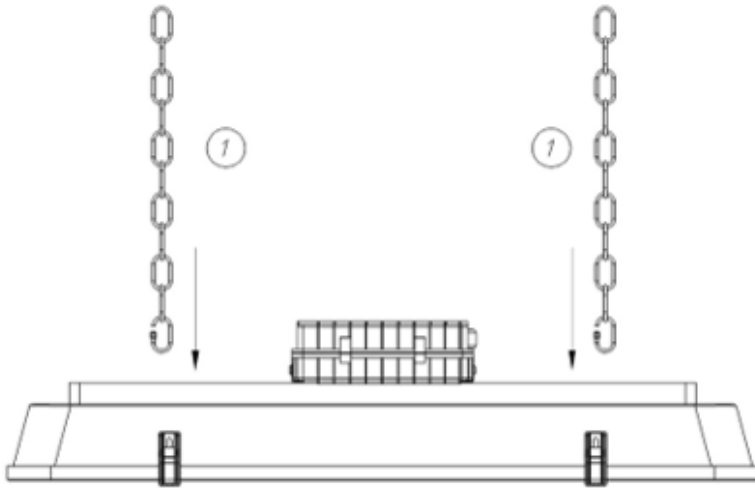
- 10 inches from the side wall
- 20 inches from the ceiling
- Installation height above 6ft
- The heater must be fixed to a wall with the bracket supplied to allow adequate ventilation.
- Never fix or place heater near flammable or combustible materials.
- Generally heaters must be placed at a safe distance (clear space) of at least 2.0m from combustible materials and glass walls. If installed in workshops or garages where inflammable or combustible paints are used, the heaters must be installed at a distance of at least 4.0m from the source of danger.
- If the heaters are placed in areas where spray painting of any description is taking place, they should not be used during the painting operations.
- Never use the heater in particularly dusty and explosive areas.

## ACCESSORIES

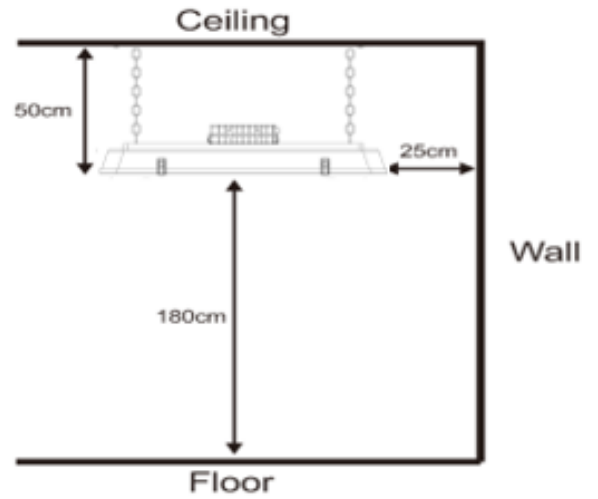


# INSTALLATION

## Ceiling type installation

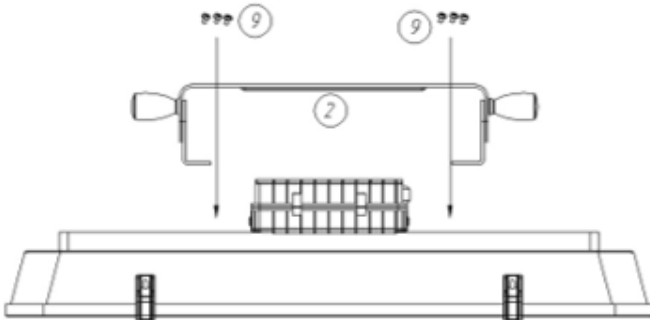


- 10" from the side wall
- 20" from the ceiling
- Installation height above 6'

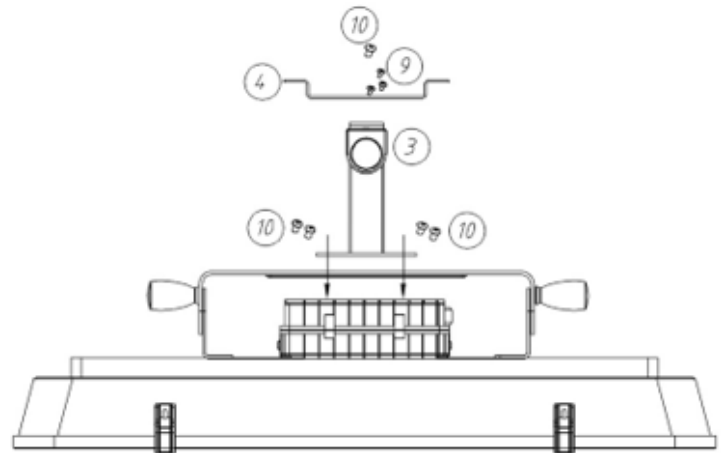


## Wall-hanging installation

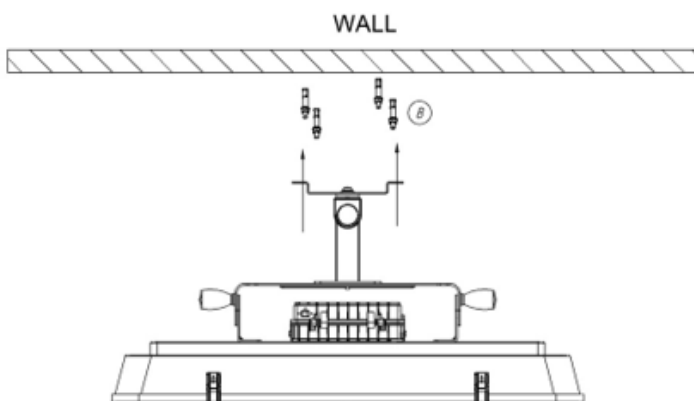
### Step 1



### Step 2



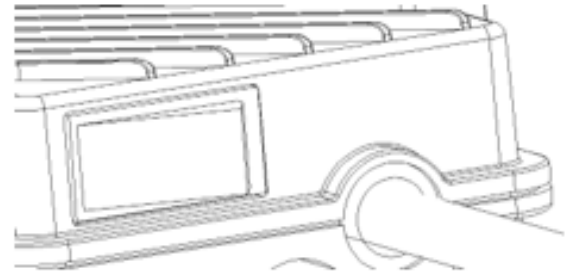
### Step 3



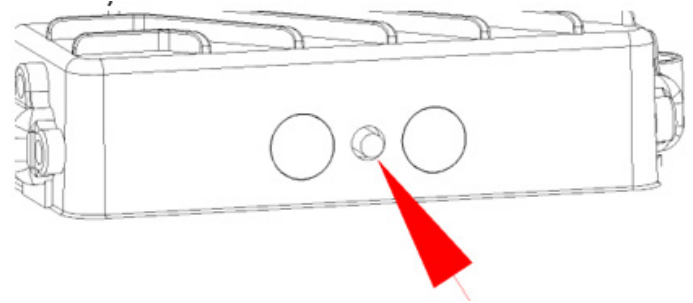
# OPERATION AND MAINTENANCE

1. Connect the power cable to a 13amp supply that is located in a safe, dry area.

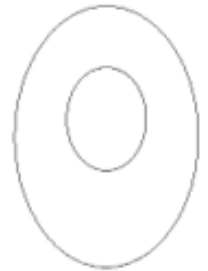
- The Electric Patio Heater is equipped with one heat setting
- The switch on the heater head is used to control the power. (I) position for turn on. (0) position for turn off.



2. Activating button on the heater is to operate heater by manually. Press one time for 1500 W, Press two times for turn off the heater.



- The Remote control is also used to control the heat. (I) for heat setting 1500W, the 0 position is off.
- Although the patio heater is shower proof, do not use when raining or in wet conditions.
- Always disconnect the power cable from the electrical supply, when the patio heater is not in use.



## MAINTENANCE

Unplug the unit and let it cool completely.

- To keep the heater clean, the outer shell may be cleaned with a soft, damp cloth. You may use a mild detergent if necessary. After cleaning, dry the unit with a soft cloth.
- DO NOT use alcohol, gasoline, abrasive powders, furniture polish, or rough brushes to clean the heater. This may cause damage or deterioration to the surface of the heater.
- Although this heater is outdoor approved, DO NOT immerse the heater in water for your safety. Wait until the unit is completely dry before use.

## STORAGE

If the heater will not be used for a long period of time, store it in a cool, dry location when not in use. To prevent dust and dirt build-up, use the original packaging to repack the unit.

## TROUBLESHOOTING

If the heater will not operate, please check the following before seeking repair of service:

- Check if the power cord is plugged into an electrical outlet, if not plug in.
- Check if electricity to the main fuse is working.
- Make certain the power switches are turned on. If not, choose a setting.

# DISCLAIMER

## PLEASE READ THE FOLLOWING CAREFULLY

THE MANUFACTURER AND/OR DISTRIBUTOR HAS PROVIDED THE PARTS LIST AND ASSEMBLY DIAGRAM IN THIS MANUAL AS A REFERENCE TOOL ONLY. NEITHER THE MANUFACTURER OR DISTRIBUTOR MAKES ANY REPRESENTATION OR WARRANTY OF ANY KIND TO THE BUYER THAT HE OR SHE IS QUALIFIED TO MAKE ANY REPAIRS TO THE PRODUCT, OR THAT HE OR SHE IS QUALIFIED TO REPLACE ANY PARTS OF THE PRODUCT. IN FACT, THE MANUFACTURER AND/OR DISTRIBUTOR EXPRESSLY STATES THAT ALL REPAIRS AND PARTS REPLACEMENTS SHOULD BE UNDERTAKEN BY CERTIFIED AND LICENSED TECHNICIANS, AND NOT BY THE BUYER. THE BUYER ASSUMES ALL RISK AND LIABILITY ARISING OUT OF HIS OR HER REPAIRS TO THE ORIGINAL PRODUCT OR REPLACEMENT PARTS THERETO, OR ARISING OUT OF HIS OR HER INSTALLATION OF REPLACEMENT PARTS THERETO.

**Record Product's Serial Number Here:** \_\_\_\_\_

**Note: If product has no serial number, record month and year of purchase instead.**

**Note: Some parts are listed and shown for illustration purposes only and are not available individually as replacement parts.**

## Questions, issues or missing parts?

Before returning to your retailer, our customer service team is here to help.



**Call Us: 909.628.0880**

**Email Us: [customer@bartonliving.com](mailto:customer@bartonliving.com)**

**Hours of Operation: 9am - 3pm PST Monday - Friday**

**MADE IN CHINA**