



Specifications

1/3 HP - EB333

Builder

Disposer Description:

2400 RPM | 3-YEAR IN-HOME WARRANTY

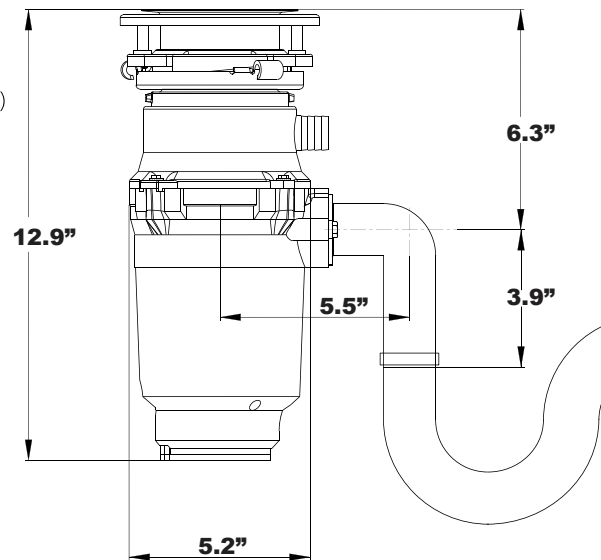
- 3-Bolt Mount System for Easy Installation
- All Stainless Steel Grinding Components
- Compact Design
- High Torque Balanced Grinding System
- Antimicrobial Agent for Odor Protection
- Partial Sound Shell
- Removable Splash Guard
- Attached Power Cord
- Lifetime Corrosion Failure Warranty

Specification Detail:

HORSEPOWER	1/3 HP
MOTOR SPEED RPM	2400 RPM
VOLTAGE	120 VAC
AMPS	4.5 A
CYCLES	60 Hz
BEARINGS	Permanently Lubricated, Sleeve-Type
MOTOR TYPE	DC, Permanent Magnet
SPLASH GUARD	Removable
GRIND RING	Stainless Steel
SWIVEL IMPELLERS	Stamped Stainless Steel
BALANCED TURNTABLE	Stainless Steel
BALANCED ARMATURE SHAFT	Yes
HOPPER	Corrosion-Proof – Phenolic
DRAIN HOUSING	Corrosion-Proof – Glass-Filled Polyester Nylon (PA66)
APPLIANCE PROTECTOR	Manual Reset
SOUND-DAMPENING SHELL	Partial
HARDWARE INCLUDED	Stopper and Drain Elbow Kit
SINK FLANGE	Stainless Steel
MOUNT ASSEMBLY	3-Bolt
HOPPER CAPACITY	29 oz.
POWER CORD LENGTH	34"
UNIT WEIGHT	8.9 lbs.



Dimensions:



FOR MORE INFORMATION CALL: 1-833-240-6222 (Toll-Free)

M-F 8:00am-5:00pm PST English & Spanish