

RANGE HOOD

SPECIFICATIONS

MODEL# COS-668WRC90

FEATURES



DESIGNED FOR WALL MOUNTING

3 FAN SPEEDS

380 CFM AIRFLOW CAPACITY

PUSH BUTTON CONTROLS

ARC-FLOW® PERMANENT FILTERS

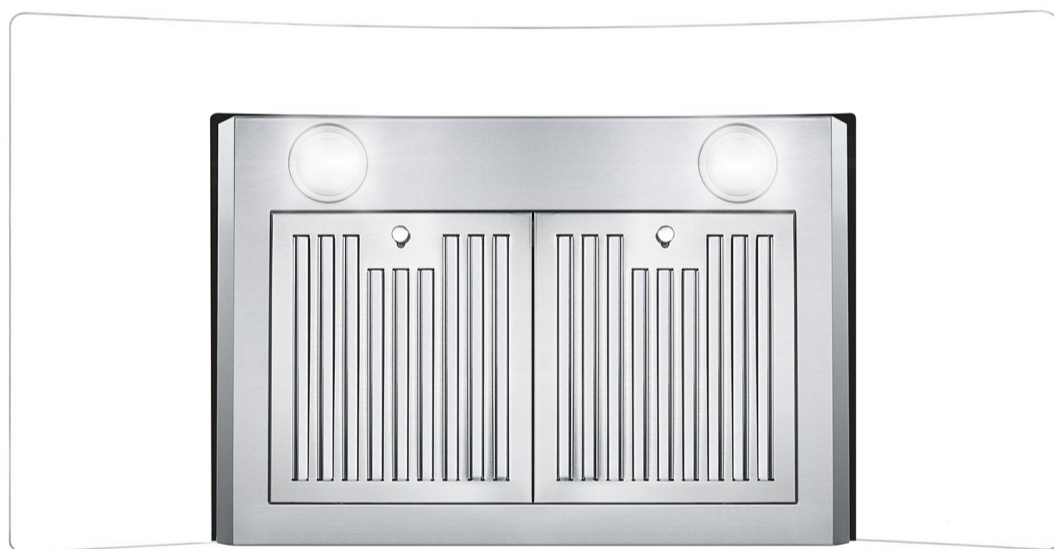
2 FRONT LED LIGHTS

65 dB. FOR QUIET OPERATION

CURVED TEMPERED GLASS HOOD

The perfect piece for any contemporary kitchen, Cosmo's COS-668WRC90 Range Hood is powered by 380 CFM of suction, front LED lights and ARC-FLOW® Permanent Filters.

SEE PAGE 2 FOR DIMENSIONS



| | |
|---------------|-----------------------------------|
| Size | 36 Inch |
| Mounting Type | Wall Mount |
| Controls | Push Button |
| Filters | 2x Stainless Steel Baffle Filters |
| Material | Stainless Steel, Tempered Glass |
| Air Flow | 380 CFM |
| Noise Level | 65dB (Max) |

| | |
|---------------------|---|
| Vent Style | External |
| Lighting | 2x Front LED |
| Voltage | 120V / 60Hz |
| Wattage | 200W |
| Included Components | Bulb(s), Damper, Exhaust Vent, Fan Hardware, Installation Kit, Power Cord |

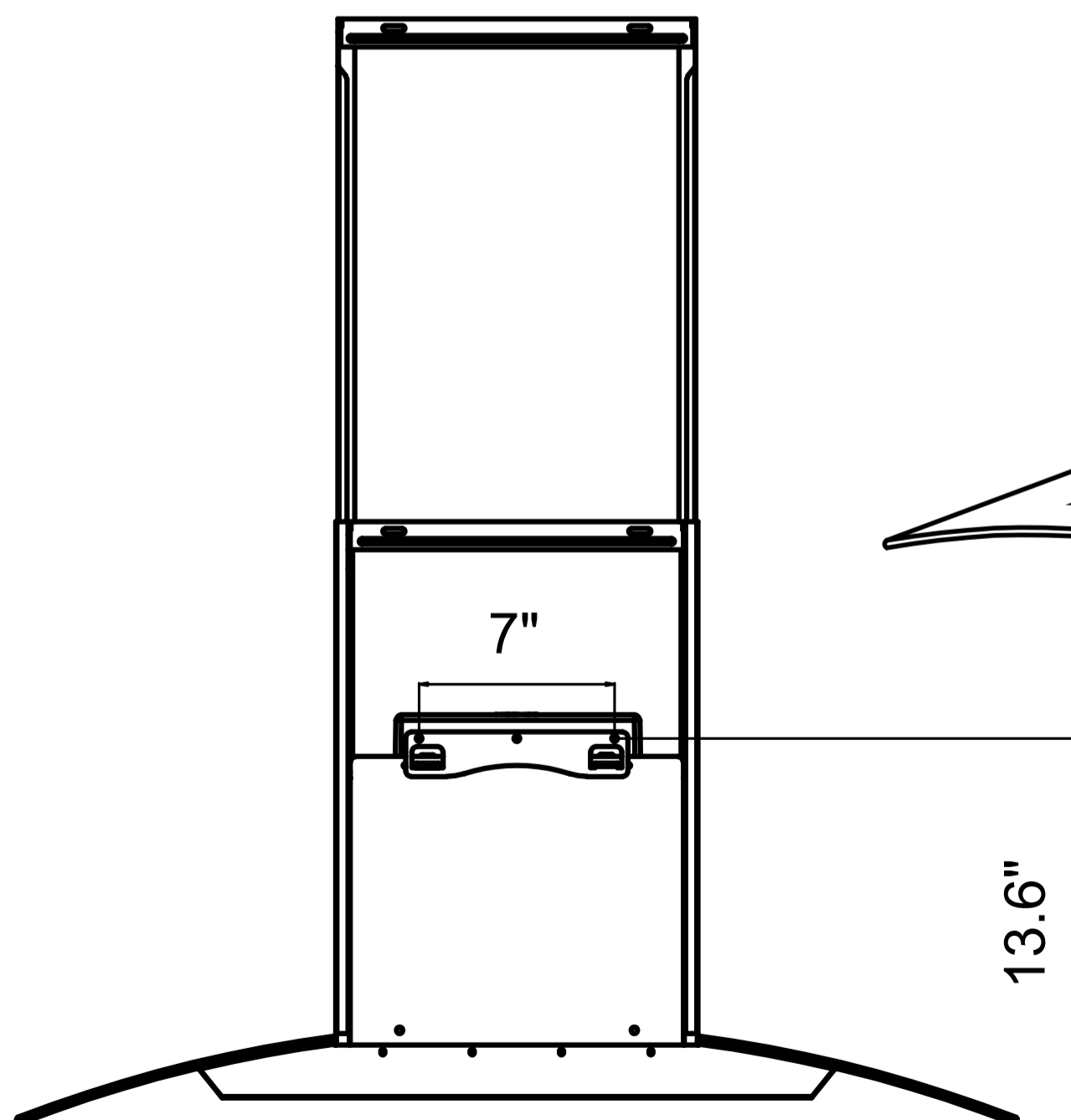
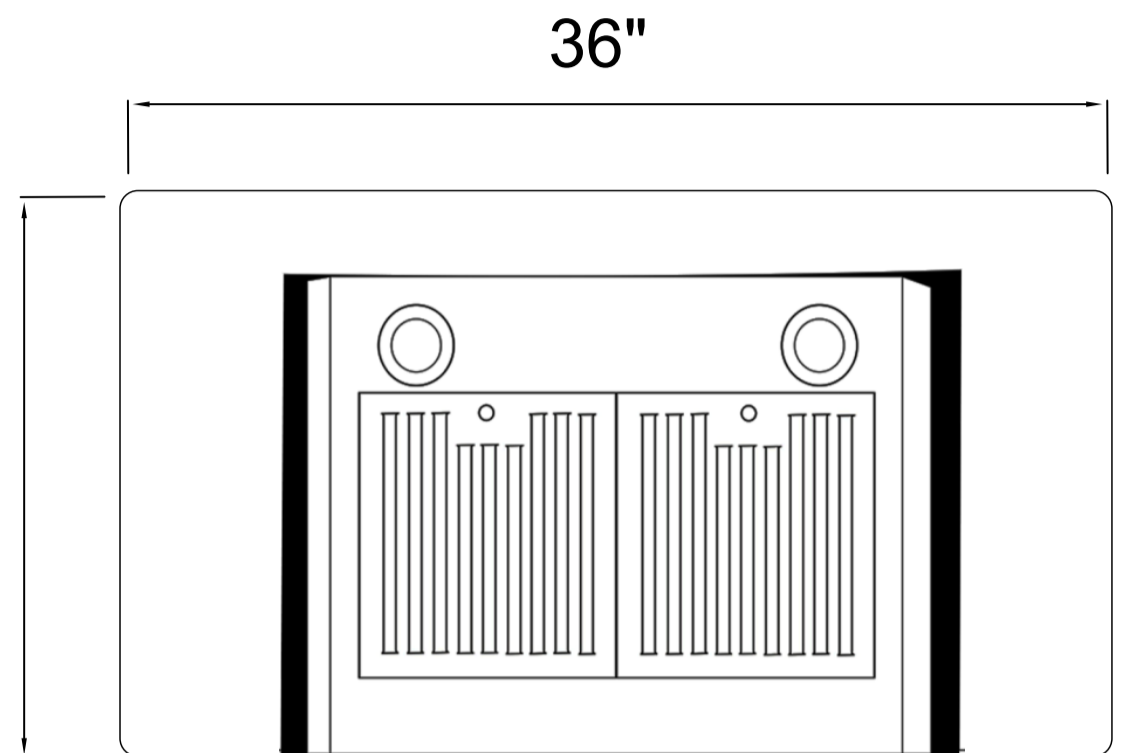
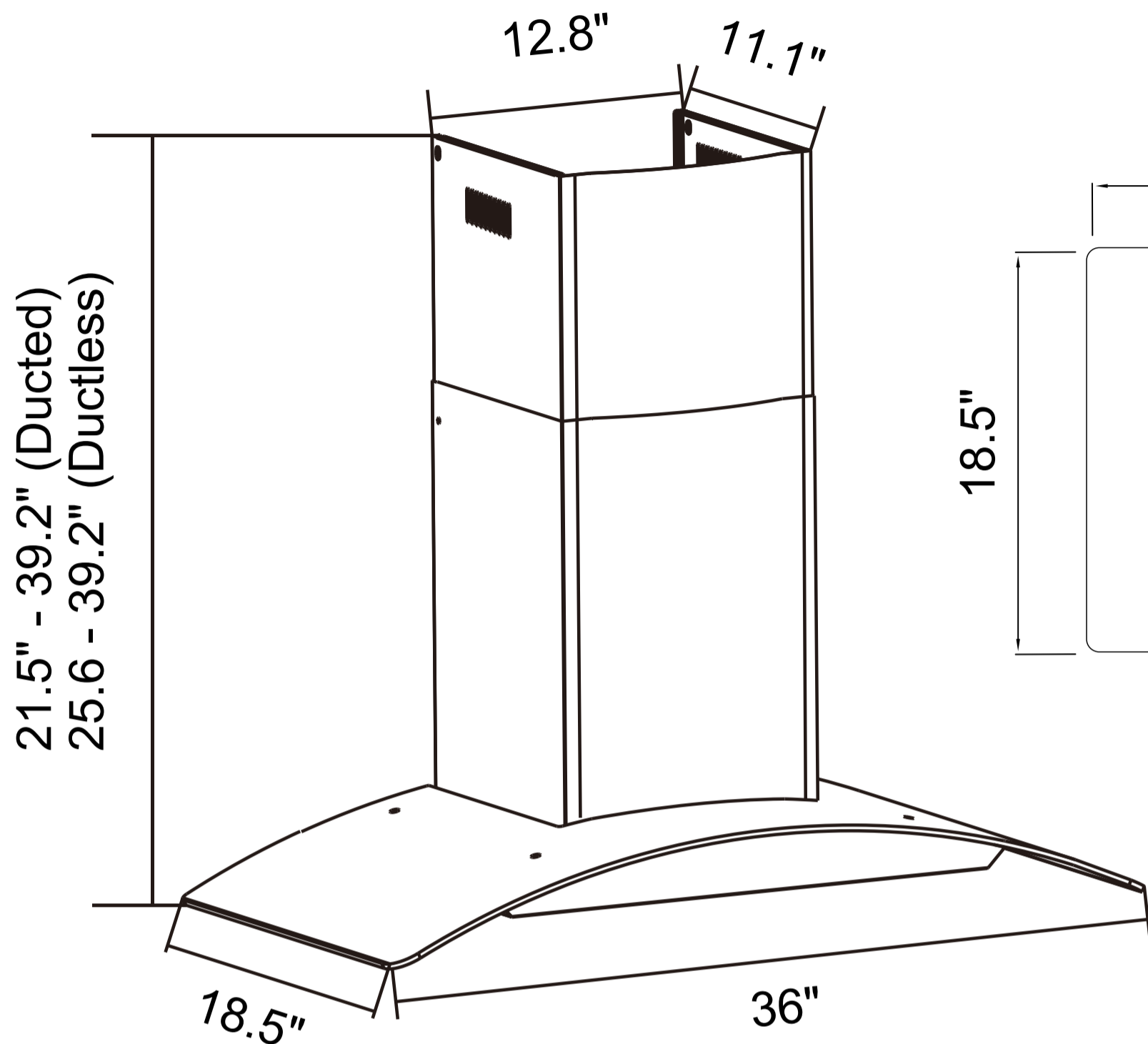


RANGE HOOD

DIMENSIONS

MODEL# COS-668WRC90

Assembled Product Dimensions



Location of
3-Prong Power Cord

