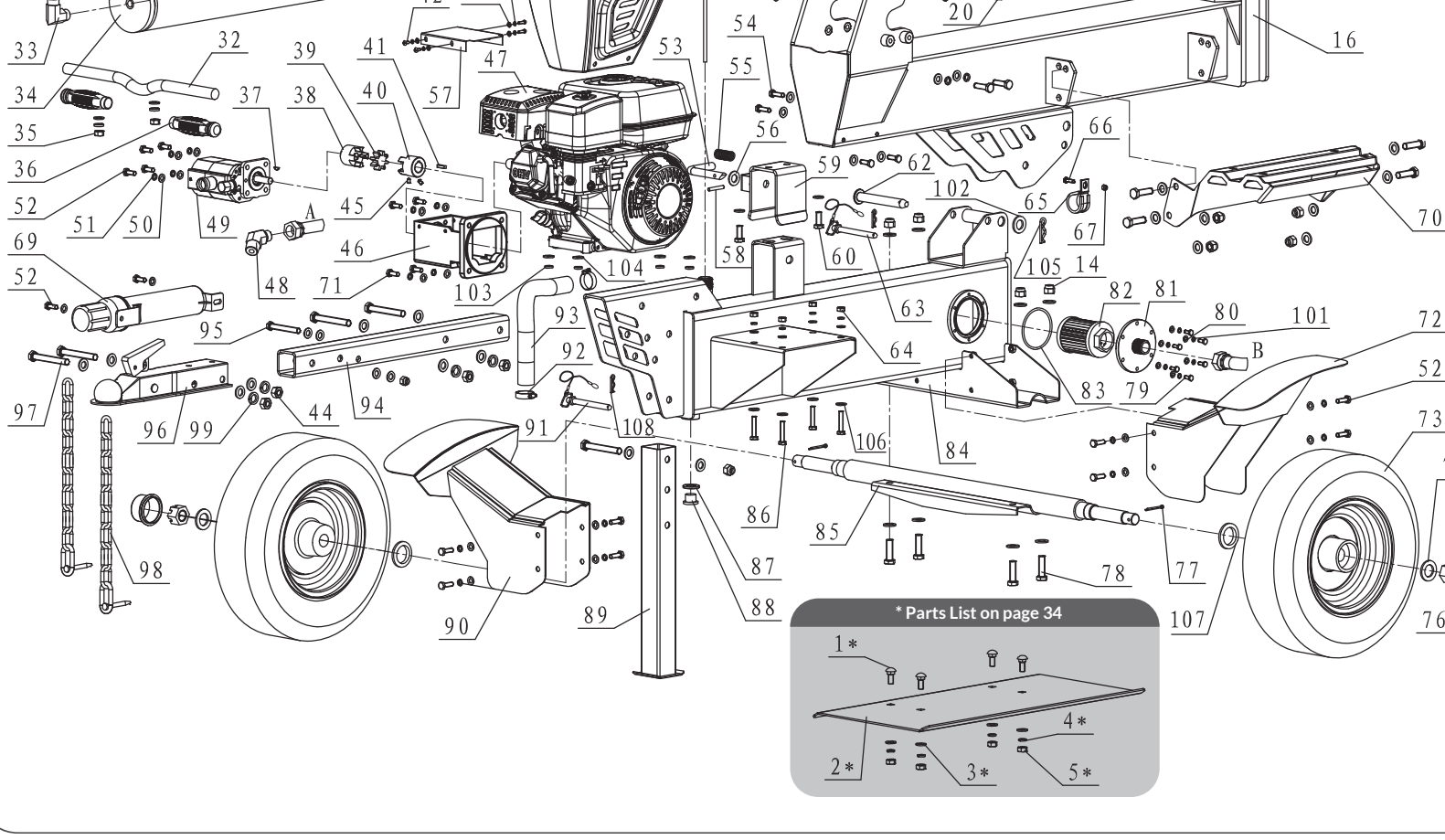
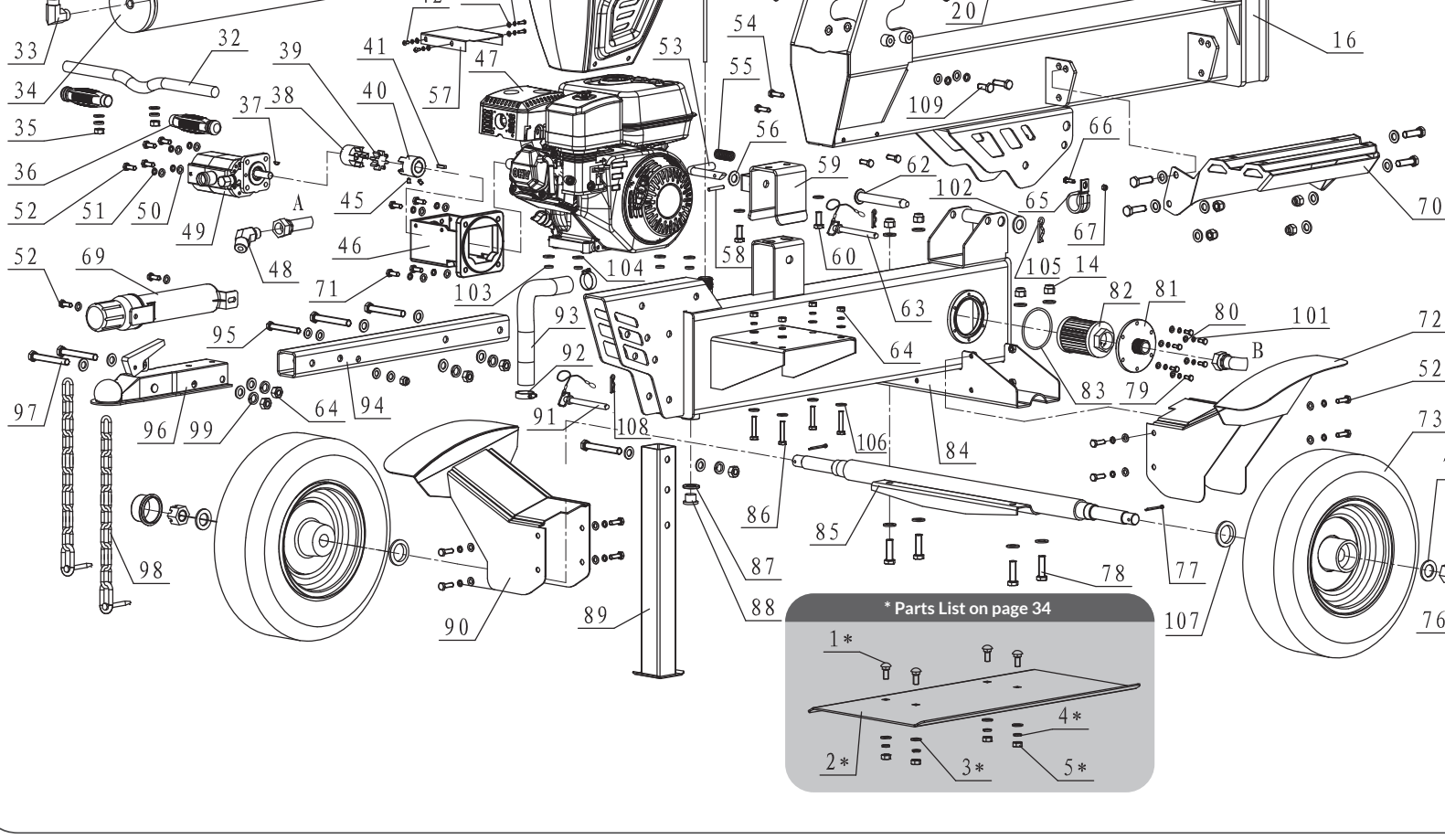


Cause	Remedy
the hydraulic oil system is lodged in beam guides hydraulic oil	<ol style="list-style-type: none"> 1. Purge air by extending and retracting the wedge several times until motion is smooth 2. Clear debris from beam 3. Check oil level and add as needed
any cylinder rod seal is bent cylinder rod hydraulic fitting any combination washer seal on either hydraulic fitting	<ol style="list-style-type: none"> 1. Contact customer service 2. Contact customer service 3. Tighten hydraulic fitting 4. Contact customer service
loose clamp or hydraulic fitting	Tighten hose clamp or hydraulic fitting
any control valve any hydraulic pump hydraulic oil	<ol style="list-style-type: none"> 1. Contact customer service 2. Contact customer service 3. Check oil level and add as needed
hydraulic oil any control valve	<ol style="list-style-type: none"> 1. Check oil level and add as needed 2. Contact customer service
deflated	Inflate tires to proper pressure
hydraulic oil too cold hydraulic oil too thick hydraulic oil contaminated any control valve	<ol style="list-style-type: none"> 1. Warm up engine 2. Replace hydraulic fluid 3. Replace hydraulic fluid 4. Contact customer service
the switch in OFF position shut-off valve in OFF position tank empty spark plug disconnected any spark plug the lever in wrong position engine	<ol style="list-style-type: none"> 1. Move switch to ON position 2. Move valve to ON position 3. Fill fuel tank with fuel 4. Connect spark plug 5. Replace spark plug 6. Adjust choke lever position 7. Contact customer service



No.	Description	Qty
73	Tire	2
74	Washer 22	2
75	Nut M22	2
76	Dust Cap	2
77	Cotter Pin 4x50	2
78	Bolt M12x30	4
79	Bolt M6x16	6
80	Washer 6	6
81	Flange of Filter	1
82	Filter HU-63x80	1
83	O-Ring 81x3.1	1
84	Tank Weldment	1
85	Wheel Axle	1
86	Bolt M8x45	4
87	Washer 20	1
88	Drain Plug	1
89	Support Leg	1
90	Fender-Left	1
91	Pin Ø 12x80	1
92	Clamp 32	2
93	Suction Hose	1
94	Tow Bar	1
95	Bolt M10x85	1
96	2" Ball Coupler Hitch	1
97	Bolt M12x80	5
98	Safety Chain	2
99	Spring Washer 12	4
100	Flat Washer 4	4
101	Spring Washer 6	6
102	Big Washer 18	1
103	Shock Absorbing Pad	4
104	Big Washer 8	8
105	Big Bridge Pin	1
106	Washer 8	4

No.	Description	Qty
37	Half Round Key	1
38	Gear Pump Connector Left	1
39	Elastic Spider Block	1
40	Gear Pump Connector Right	1
41	Key 5x20	1
42	Screw M4x10	4
43	Spring Washer 4	4
44	Nut M12	5
45	Screw M6x20	2
46	Pump Bracket	1
47	Engine	1
48	135° 1/2" Fitting	1
49	Gear Pump	1
50	Washer 8	24
51	Spring Washer 8	20
52	Bolt M8x20	14
53	Lock Latch	1
54	Bolt M8x10	4
55	Pressure Spring	1
56	Washer 14	2
57	Cover of Pump Bracket	1
58	Pin 6x40	2
59	Beam Lock Bracket	1
60	Bolt M10x25	2
61	Washer 30	1
62	Pin 18x135	1
63	Pin Ø 12x120	1
64	Nut M8	4
65	Hose Clamp	1
66	Bolt M6x20	1
67	Lock Nut M6	1
68	Locating Plunger of Log Spinner	1
69	Manual Tube	1
70	Log Cradle-Right	1



No.	Description	Qty
73	Tire	2
74	Washer 22	2
75	Nut M22	2
76	Dust Cap	2
77	Cotter Pin 4x50	2
78	Bolt M12x30	4
79	Bolt M6x16	6
80	Washer 6	6
81	Flange of Filter	1
82	Filter HU-63x80	1
83	O-Ring 81x3.1	1
84	Tank Weldment	1
85	Wheel Axle	1
86	Bolt M10x50	4
87	Washer 20	1
88	Drain Plug	1
89	Support Leg	1
90	Fender-Left	1
91	Pin Ø 12x80	1
92	Clamp 32	2
93	Suction Hose	1
94	Tow Bar	1
95	Bolt M10x85	1
96	2" Ball Coupler Hitch	1
97	Bolt M12x80	5
98	Safety Chain	2
99	Spring Washer 12	8
100	Flat Washer 5	4
101	Spring Washer 6	6
102	Big Washer 18	1
103	Shock Absorbing Pad	4
104	Big Washer 8	8
105	Big Bridge Pin	1
106	Washer 8	4

No.	Description	Qty
37	Half Round Key	1
38	Gear Pump Connector Left	1
39	Elastic Spider Block	1
40	Gear Pump Connector Right	1
41	Key 5x20	1
42	Screw M5x10	4
43	Spring Washer 5	4
44	Nut M12	5
45	Screw M6x20	2
46	Pump Bracket	1
47	Engine	1
48	135° 1/2" Fitting	1
49	Gear Pump	1
50	Washer 8	20
51	Spring Washer 8	16
52	Bolt M8x20	14
53	Lock Latch	1
54	Bolt M8x10	4
55	Pressure Spring	1
56	Washer 14	2
57	Cover of Pump Bracket	1
58	Pin 6x40	2
59	Beam Lock Bracket	1
60	Bolt M10x25	2
61	Washer 30	1
62	Pin 18x135	1
63	Pin Ø 2x120	1
64	Nut M10	4
65	Hose Clamp	1
66	Bolt M6x20	1
67	Lock Nut M6	1
68	Locating Plunger of Log Spinner	1
69	Manual Tube	1
70	Log Cradle-Right	1

No.	Description	Qty
37	Half Round Key	1
38	Gear Pump Connector Left	1
39	Elastic Spider Block	1
40	Gear Pump Connector Right	1
41	Key 5x20	1
42	Screw M5x10	4
43	Spring Washer 5	4
44	Nut M12	5
45	Screw M6x20	2
46	Pump Bracket	1
47	Engine	1
48	135° 1/2" Fitting	1
49	Gear Pump	1
50	Washer 8	20
51	Spring Washer 8	16
52	Bolt M8x20	14
53	Lock Latch	1
54	Bolt M8x10	4
55	Pressure Spring	1
56	Washer 14	2
57	Cover of Pump Bracket	1
58	Pin 6x40	2
59	Beam Lock Bracket	1
60	Bolt M10x25	2
61	Washer 30	4
62	Pin 18x135	1
63	Pin Ø 12x120	1
64	Nut M10	4
65	Hose Clamp	1
66	Bolt M6x20	1
67	Lock Nut M6	1
68	Locating Plunger of Log Spinner	1
69	Manual Tube	1
70	Log Cradle-Right	1

No.	Description	Qty
73	Tire	2
74	Washer 22	2
75	Nut M22	2
76	Dust Cap	2
77	Cotter Pin 4x50	2
78	Bolt M12x30	4
79	Bolt M6x16	6
80	Washer 6	6
81	Flange of Filter	1
82	Filter HU-63x80	1
83	O-Ring 81x3.1	1
84	Tank Weldment	1
85	Wheel Axle	1
86	Bolt M10x50	4
87	Washer 20	1
88	Drain Plug	1
89	Support Leg	1
90	Fender-Left	1
91	Pin Ø 12x80	1
92	Clamp 32	2
93	Suction Hose	1
94	Tow bar	1
95	Bolt M10x85	1
96	2" Ball Coupler Hitch	1
97	Bolt M12x80	5
98	Safety Chain	2
99	Spring Washer 12	8
100	Flat Washer 5	4
101	Spring Washer 6	6
102	Big Washer 18	1
103	Shock Absorbing Pad	4
104	Big Washer 10	8
105	Big Bridge Pin	1
106	Washer 8	4

No.	Description	Qty
1*	Bolt M10x25	4
2*	Log Table	1
3*	Flat Washer 10	4
4*	Spring Washer 10	4
5*	Nut M10	4