

CATCH-A-Raindrop™

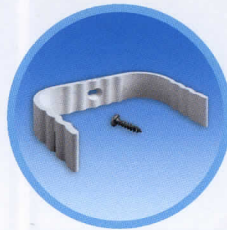
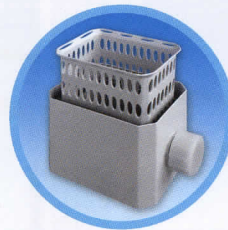
THE HARVESTING RAINWATER COLANDER™

- Collect the rainfall from your rooftop
- Filter any large or coarse debris from the downspout
- Store the rain in barrels or connect to hose for directly watering plants
- Reuse the rain to water houseplants, gardens, and landscape, or wash cars

INCLUDES

- Rainwater Colander with Cap
- Downspout Clip with Zip Screw
- Easy Installation Instructions

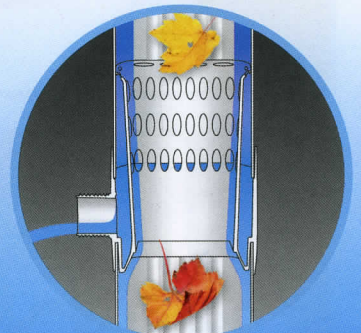
- Fits most standard residential downspouts
- Available for 2x3 and 3x4 downspouts
- Small, discrete, and worry-free
- Affordable way to conserve water
- Plants love the pH neutral, fluoride- and chlorine-free water
- Diverts water away from your home's foundation
- Attach to a regular garden hose or use cap



HOW IT WORKS

The **CATCH-A-Raindrop™ Rainwater Colander™** connects to a vertical downspout and captures 50% of rainwater while debris is directed down the gutter, diverting filtered rainwater into a storage tank or rain barrel, or directly to a garden.

As the water travels down the inside walls of the downspout, the rainwater adheres to the walls of the downspout and does not free-fall from the center. The Rainwater Colander™ installed inside the downspout captures water free of large debris in a 2-inch tall reservoir that has an outlet to attach to a garden hose or cap when not in use. The innovative design of the patented colander automatically diverts rainwater back into the downspout when the rain barrel is full or a cap is attached.



CatchARaindrop.com

Amerimax 
Home Products, Inc.

1-800-347-2586 Amerimax.com
450 Richardson Drive, Lancaster, PA 17603

 **Euramax**
Canada, Inc.

1-800-461-5706 EuramaxCanada.com
26 Loren Street, Barrie, ON L4N 4P4


MEMBER

Scan for product information.



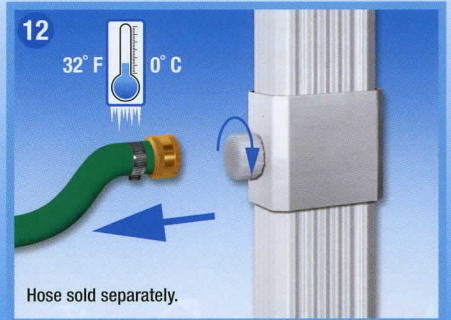
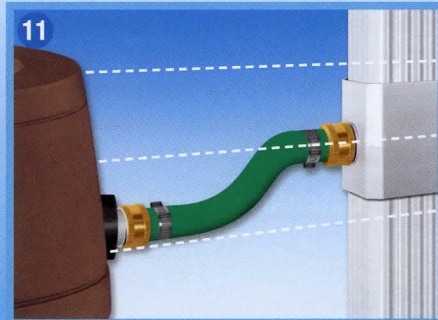
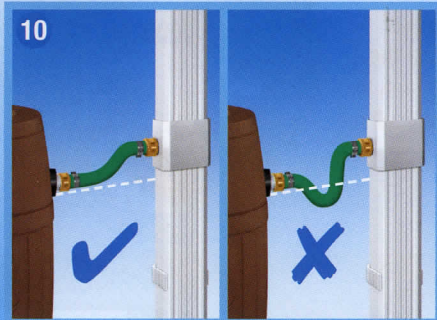
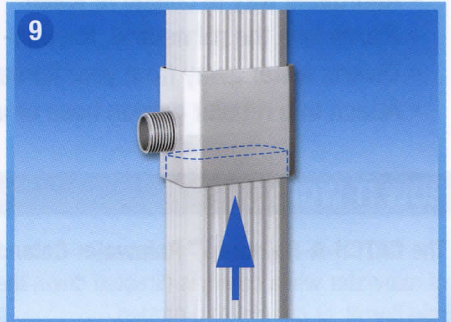
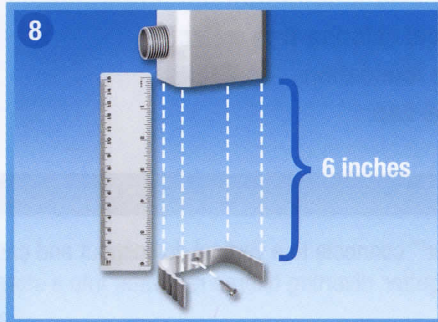
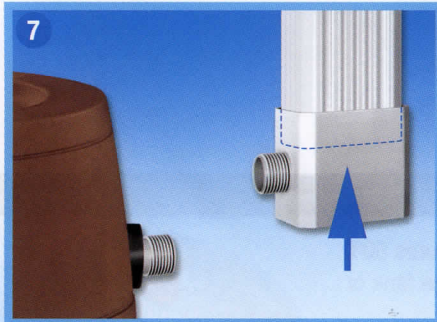
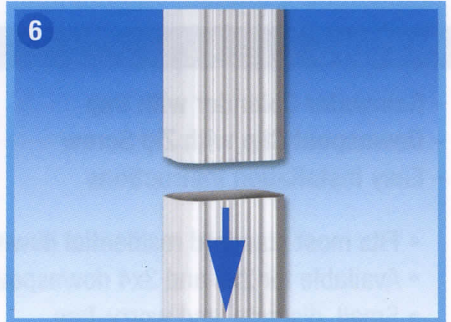
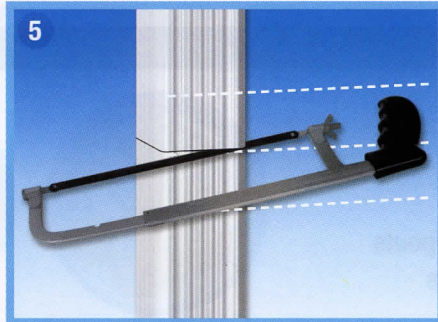
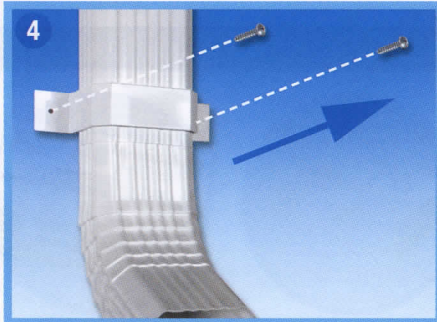
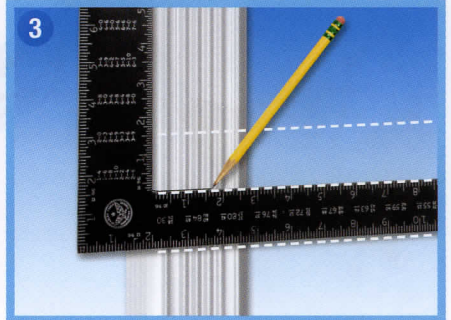
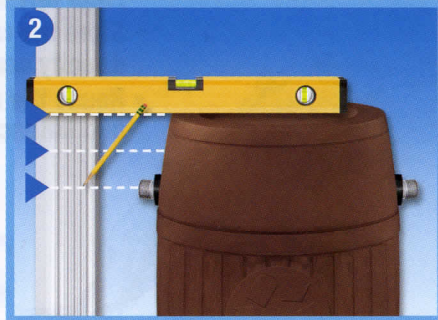
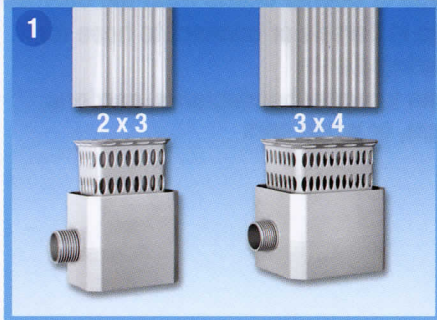
Made in Canada. Patent pending for USA and Canada.
CATCH-A-Raindrop™ and Rainwater Colander™ are trademarks of Amerimax Home Products, Inc.

Get the free mobile app at <http://gettag.mobi>

INSTALLATION INSTRUCTIONS FOR RAIN BARREL USE

MATERIALS NEEDED

- Rain Barrel
- 4-Foot Hose
- Screwdriver
- Measuring Device
- Hack Saw
- Pencil
- Safety Glasses
- Safety Gloves
- Building Square
- Level



Gloves and Eye Protection are required when cutting downspout.
 Rainwater Colander™ filter area should be cleaned out with water occasionally to ensure proper function.

FOR EXTERIOR USE ONLY | Rainwater not for human consumption