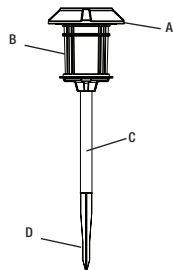


## Use and Care Guide SOLAR PATHLIGHTS

Please read and save these instructions

### PACKAGE CONTENTS



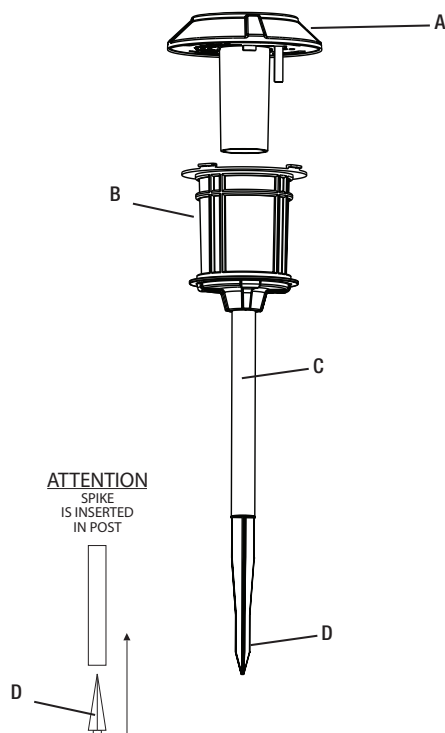
Part	Description	Quantity
A	Top cap	4
B	Cage	4
C	Post	4
D	Spike	4

## Assembly and Installation

**NOTE:** If the solar panel is covered by a protective film, remove it before using the product. Remove the pull-tab from the battery door. Place the solar light in a location where it can receive a full 8 hours of sunlight to allow the rechargeable battery/batteries to reach maximum capacity.

### 1 Attaching and installing the light

- Attach the spike (D) to the post (C) by pressing them together and press the post into the bottom of the cage base (B).
- Remove the pull-tab from the battery compartment under the top cap (A).
- Install the top cap (A) by turning it clockwise on top of the cage (B).



#### Installation tips:

- If the soil is of a loose, sandy or organic type, grasp the post with both hands near the spike and firmly push into the ground.
- If the soil is hard, pour some water onto the ground to soften it.
- If the soil is stony, soften the ground with a rake or shovel and remove large rocks. Dig a small hole, insert the fixture spike, replace the soil and tap down.
- Never push the fixture into the ground by the fixture head.



**WARNING:** When planting the spike, ensure that there are no underground utility lines or pipes.

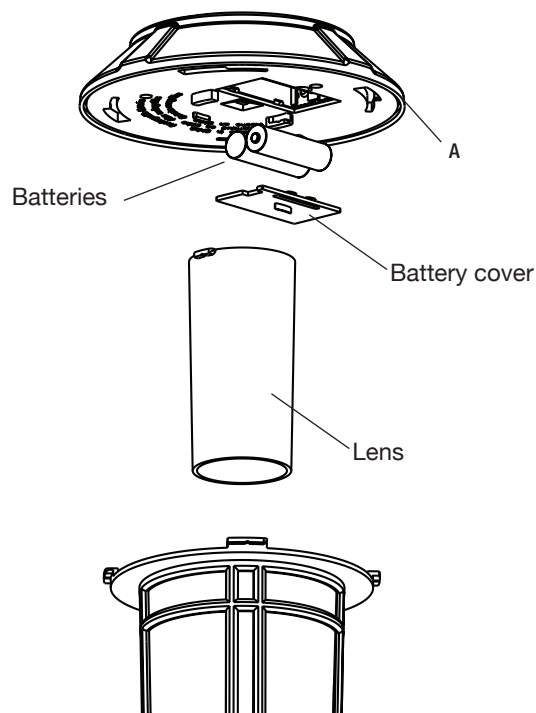
### 2 Replacing the battery

**NOTE:** This operation should be done in the morning on a sunny day. This will allow the light to receive a full 8 hours of sunlight so that the rechargeable battery can reach maximum capacity.

- Remove the top cap (A) by turning it counterclockwise.
- Remove the lens.
- Remove the battery cover.
- Remove the old batteries and replace with 2 new AA NiMh rechargeable batteries of the same or greater mAh. **USE RECHARGEABLE BATTERIES ONLY.**

**Note:** Clean the battery contacts and those of the device prior to battery installation.

- Be sure to insert the batteries in the proper direction.
- Replace the battery cover.
- Replace the lens.
- Replace the top cap by turning clockwise.



## Care and Cleaning

---

- Clean the fixture with a soft, dry cloth.
- Do not use any cleaners with chemicals, solvents or harsh abrasives.

## Troubleshooting

---

If the light does not turn on at dusk after 8 hours of charging :

- Ensure that the solar light is in a bright sunny location and not in a shady area during the day.
- Make sure that the light's photocell is not affected by other light sources at night.
- Ensure that the pull-tab has been removed.
- Verify that the battery/batteries are making contact with the terminal and that they have been inserted in the correct polarity.

## Warranty

---

### WHAT IS COVERED

The manufacturer warrants this lighting fixture to be free from defects in materials and workmanship for a period of two (2) years from the date of purchase. This warranty applies only to the original consumer and only to products used in normal use and service. If this product is found to be defective, the manufacturer's only obligation, and your exclusive remedy, is the repair or replacement of the product at the manufacturer's discretion, provided that the product has not been damaged through misuse, abuse, accident, modifications, alterations, neglect or mishandling.

### WHAT IS NOT COVERED

This warranty shall not apply to any product that is found to have been improperly installed, set-up, or used in any way not in accordance with the instructions supplied with the product. This warranty shall not apply to a failure of the product as a result of an accident, misuse, abuse, negligence, alteration or faulty installation, or any other failure not relating to faulty material or workmanship. This warranty shall not apply to the finish on any portion of the product, such as surface and/or weathering, as this is considered normal wear and tear.

The manufacturer does not warrant and specially disclaims any warranty, whether express or implied, of fitness for a particular purpose, other than the warranty contained herein. The manufacturer specifically disclaims any liability and shall not be liable for any consequential or incidental loss or damage, including but not limited to any labor / expense costs involved in the replacement or repair of said product.

Contact the Customer Service Team at 1-855-HD-HAMPTON or visit [www.hamptonbay.com](http://www.hamptonbay.com).

---