


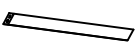





ASSEMBLY INSTRUCTIONS

ITEM: WF291263AAE/WF291263AAP




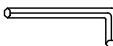


Important note:

1. Place all wooden parts on a clean and smooth surface such as a rug or carpet to avoid scratching the parts.
2. Kindly follow the assembly instructions step by step.
3. Do not tighten all screws and bolts until the table is fully assembled.
4. Unscrew the protective plastique supports from the metal insert of the table legs before assembly.

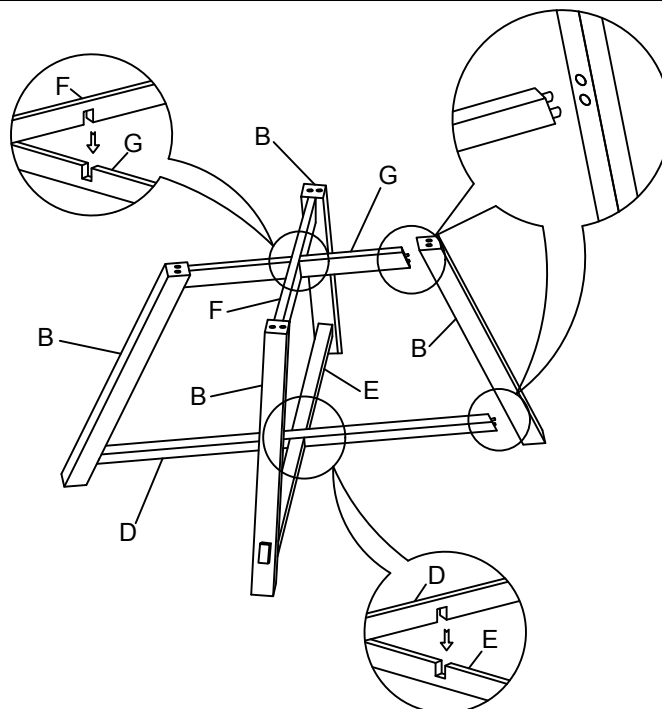
PARTS IDENTIFICATION

A Table Top  1pc	B Leg  4pc	C Connection panel  2pc	D Long left Stretcher  1pc	E Long right Stretcher  1pc
F Short left Stretcher  1pc	G Short right Stretcher  1pc			

HARDWARE IDENTIFICATION

1 Bolt 1/4"X38mm  12pcs	2 Spring Washer 1/4"X11mm  12pcs	3 Flat Washer 1/4"X19mm  12pcs	4 Allen Key  1pc	5 Wood screw 4X50mm  8pcs	6 Wood screw 4X38mm  2pcs
---	--	--	---	---	---

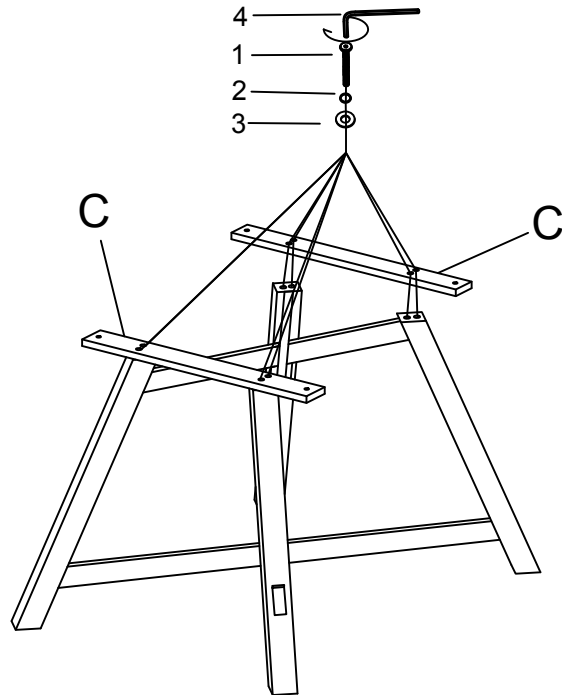
STEP 1



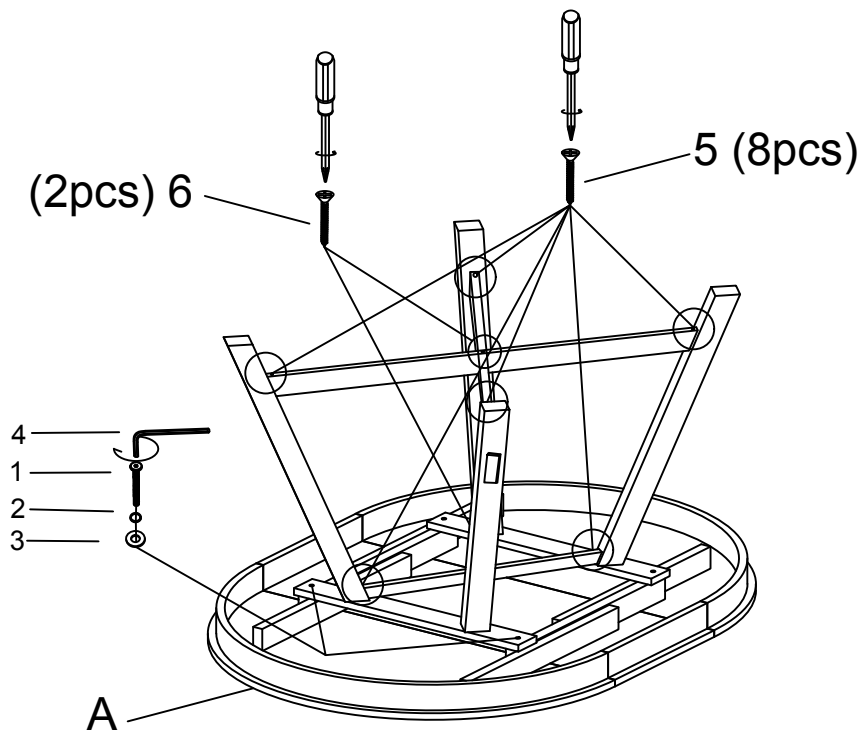
ASSEMBLY INSTRUCTIONS

ITEM: WF291263AAE/WF291263AAP

STEP 2

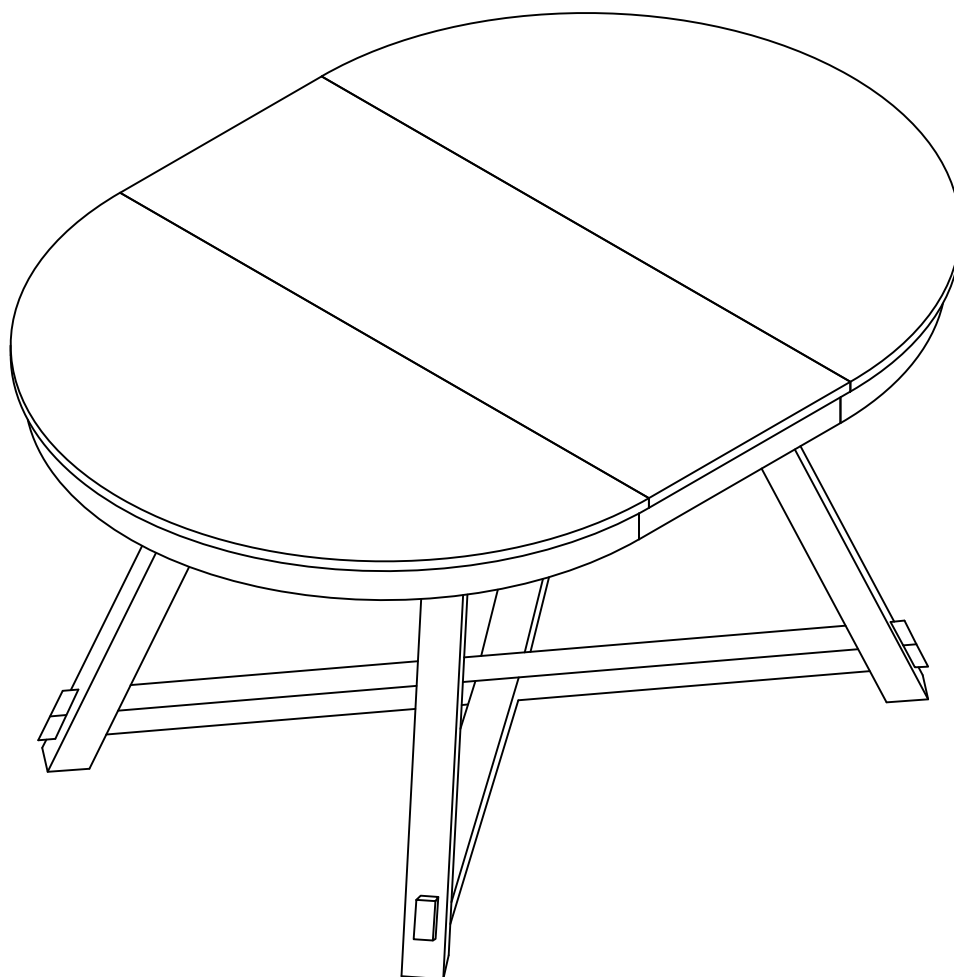


STEP 3



ASSEMBLY INSTRUCTIONS
ITEM: WF291263AAE/WF291263AAP

COMPLETE



ASSEMBLY INSTRUCTIONS

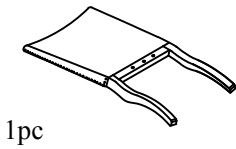
ITEM: WF291264AAE/WF291264AAP

Important note:

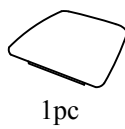
1. Place all wooden parts on a clean and smooth surface such as a rug or carpet to avoid scratching the parts.
2. Kindly follow the assembly instructions step by step.
3. Do not tighten all screws and bolts until the table is fully assembled.
4. Unscrew the protective plastique supports from the metal insert of the table legs before assembly.

PARTS IDENTIFICATION

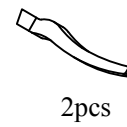
A Chair Back



B Seat cushion



C Front Leg



HARDWARE IDENTIFICATION

1 Bolt

1/4"X40mm



2 Long Bolt

1/4"X80mm



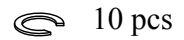
3 Bolt

1/4"X60mm



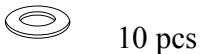
4 Spring Washer

1/4"X11mm

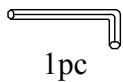


5 Flat Washer

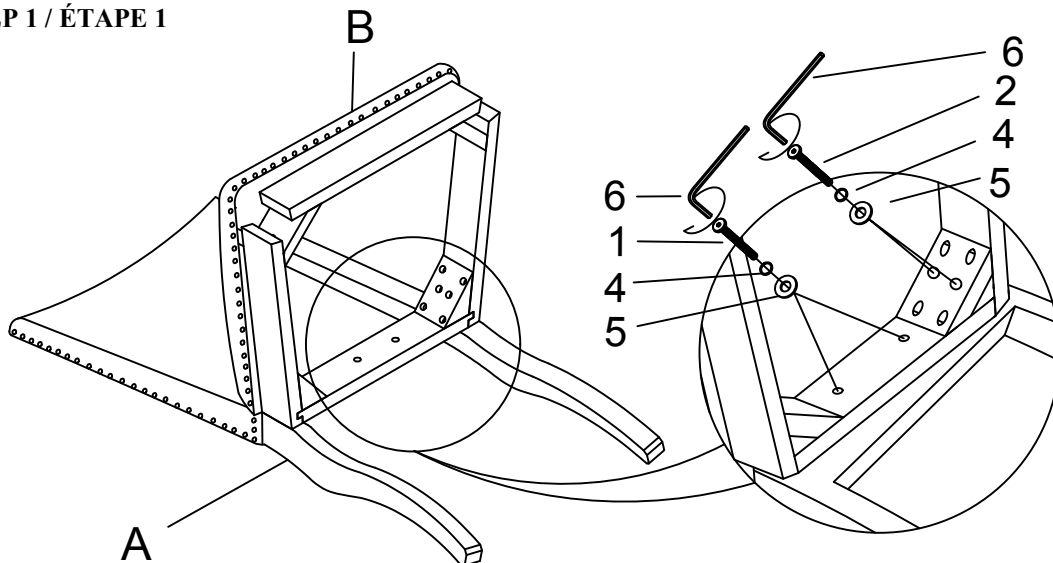
1/4"X19mm



6 Allen Key



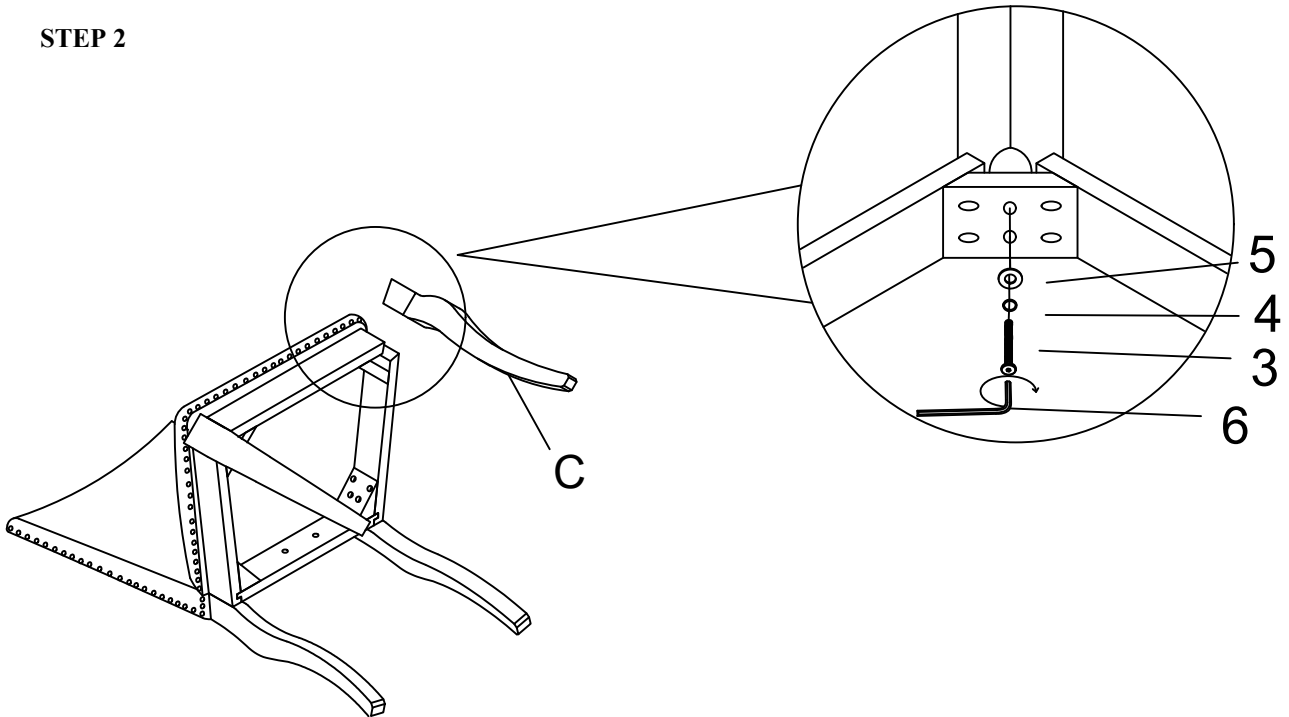
STEP 1 / ÉTAPE 1



ASSEMBLY INSTRUCTIONS

ITEM: WF291264AAE/WF291264AAP

STEP 2



COMPLETE

