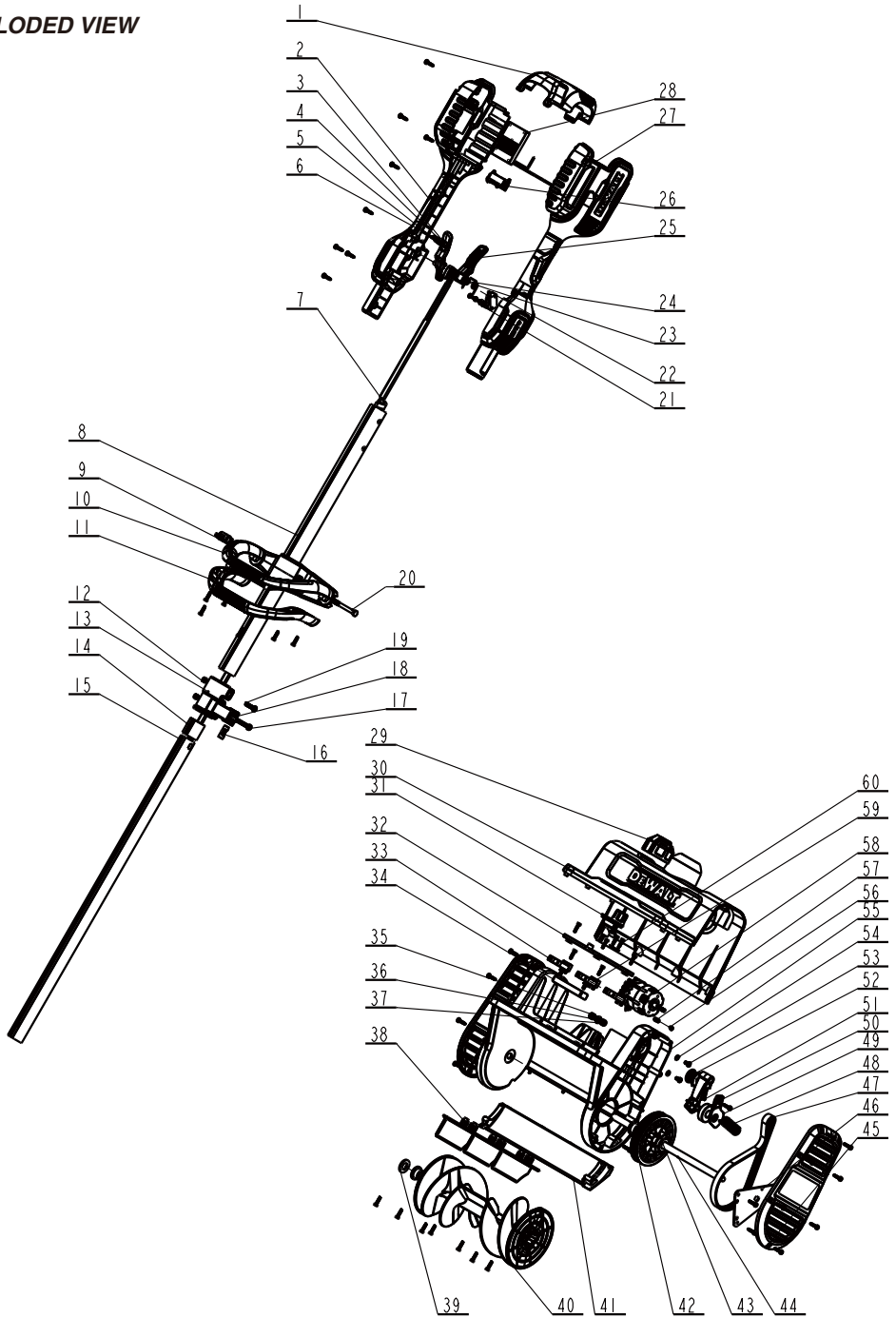


EXPLODED VIEW



PARTS LIST

PART	DESCRIPTION	QTY	PART	DESCRIPTION	QTY
1	Flip cover	1	31	Lever	1
2	Right shell	1	32	Connecting rod	1
3	Self-locking trigger	1	33	Snow guide plate connecting rod	3
4	Self-locking clamping block	1	34	Rack	1
5	Self-locking clamping block torsion spring	1	35	Type I hex lock nut M6	1
6	Elastic cylindrical pin	1	36	Hex socket bolt	1
7	Spring power cord	1	37	Washer	1
8	Upper tube frame	1	38	Snow guide plate	3
9	Bouton	1	39	Spacer	1
10	Upper auxiliary handle	1	40	Snow throwing plate	1
11	Lower auxiliary handle	1	41	Snow shovel plate	1
12	Type I hex lock nut M5	2	42	Large pulley	1
13	Quick-release clamp sleeve	1	43	Oil-impregnated bearing	3
14	Bushing	1	44	Shaft	1
15	Lower tube frame	1	45	Side cover plate	2
16	Plastic pin	1	46	Pulley pressure plate	1
17	Machine screw M5×30	1	47	Multi-ribbed belt	1
18	Quick-release clamp	1	48	Tension pulley spring	1
19	Machine screw M5×20	1	49	Tension pulley cover plate	1
20	Hex head bolt M6×55	1	50	6201-2RS waterproof bearing	1
21	Wire clamping plate	2	51	Tension pulley base	1
22	Micro switch	1	52	Small pulley	1
23	Switch torsion spring	1	53	Machine screw M4×8	2
24	Self-locking trigger torsion spring	1	54	Flat washer	2
25	Trigger	1	55	Base	1
26	Battery pack connector	1	56	Movable ejector pin	1
27	Left shell	1	57	Ejector pin spring	1
28	PCBA assembly	1	58	DC brushless motor	1
29	DW knob	1	59	Hex socket flower head screw ST3.9×10F	2
30	Upper cover	1	60	Hex socket flower head self-tapping locking screw	64